

SEGA®

DERBY OWNERS CLUB WORLD EDITION

World Edition

Parts Catalog



SEGA AMUSEMENTS USA, INC.

MANUAL NO. 999-XXXX
GAME CODE: DOC

VISIT OUR WEBSITE!

The screenshot shows a browser window with the address bar containing <http://www.seuservice.com/>. The browser's toolbar includes buttons for Back, Forward, Stop, Refresh, Home, AutoFill, Print, and Mail. The website's navigation menu on the left includes links for What's new, Manuals, Bulletins, Assemblies, Specials, Search, Bulletin Sign-up, Staff, Darl's Office, Return Policy, Warranty Policy, Corporate Info, Home Page, Plug-Ins, and No Frames. The main content area features a large blue 'SEGA SERVICE' logo, the text 'Help is on the way!!' with two cartoon characters (a burglar and a police officer), and a list of site features: Bulletins, Darl's Office, Game Manuals, Search, and What's New. A message asks visitors to email Darl.Davidson@seu.sega.com for questions. A 'POWERED BY Mac OS X' logo is displayed. A search bar is provided with the text 'Search SEUService.com' and a 'Site Search' button. The contact information for Sega Amusements USA Inc. is listed: 45133 Industrial Dr, Fremont, CA 94538, (415) 701-6580. At the bottom, there are logos for Adobe Acrobat Reader and Microsoft Internet Explorer, with the text 'All Platforms Windows Macintosh'.

SEGA SERVICE

What's new
Manuals
Bulletins
Assemblies
Specials

Search
Bulletin Sign-up

Staff
Darl's Office
Return Policy
Warranty Policy

Corporate Info
Home Page
Plug-Ins
No Frames

Google™

Search
SEUService.com

Site Search

Sega Amusements USA Inc
45133 Industrial Dr
Fremont, CA 94538
(415) 701-6580

Help is on the way!!

SEGA SERVICE

- Bulletins
- Darl's Office
- Game Manuals
- Search
- What's New

If you have any questions or comments about this site please E-Mail to
Darl.Davidson@seu.sega.com

POWERED BY
Mac OS X

[what's new] [manuals] [bulletins] [assemblies] [specials] [Search] [staff] [Darl's office]
[Return/Parts Policy] [warranty] [corporate info] [plugins] [Non-framed page]

You will need the following items to view this page in its entirety.

Get Acrobat Reader
Microsoft Internet Explorer
Microsoft Internet Explorer

All Platforms Windows Macintosh

BEFORE USING THE PRODUCT, BE SURE TO READ THE FOLLOWING:

To maintain the safety:

To ensure the safe usage of the product, be sure to read the following before using the product. The following instructions are intended for the users, operators and the personnel in charge of the operation of the product. After carefully reading and sufficiently understanding the warning displays and cautions, handle the product appropriately. Be sure to keep this manual nearby the product or elsewhere convenient for referring to it when necessary.

Herein, explanations which require special attention are enclosed with dual lines. Depending on the potentially hazardous degrees, the terms of WARNING, CAUTION, etc. are used. Be sure to understand the contents of the displays before reading the text.



Indicates that mishandling the product by disregarding this warning will cause a potentially hazardous situation which can result in death or serious injury.



Indicates that mishandling the product by disregarding this caution will cause a slight hazardous situation which can result in personal injury and or material damage.

For the safe usage of the product, the following pictographs are used:



Indicates “HANDLE WITH CARE.” In order to protect the human body an equipment, this display is attached to places where the Owner’s Manual and or Service Manual should be referred to.

- **Perform work in accordance with the instructions herein stated.**
Instructions for work are explained by paying attention to the aspect of accident prevention. Failing to perform work as per the instructions can cause accidents. In the case where only those who have technical expertise should perform the work to avoid hazardous situation, the instructions herein state that the serviceman should perform such work.
- **Be sure to turn off power before working on the machine.**
To prevent electric shock, be sure to turn off power before starting the work in which the worker touches the interior of the product. If the work is to be performed in the power-on status, the Instruction Manual herein always states to that effect.
- **Be sure to ground the Earth Terminal** (this, however, is not required in the case where a power cord with earth is used).
This product is equipped with the Earth Terminal. When installing the product, Connect the Earth Terminal to the “accurately grounded indoor earth terminal” by using an earth wire. Unless the product is grounded appropriately, the user can be subject to electric shock. After performing repair, etc. for the Control equipment, ensure that the Earth Wire is firmly connected to the Control equipment.
- **Ensure that the Power Supply used is equipped with an Earth Leakage Breaker.**
This product does not incorporate the Earth Leakage Breaker. Using a power supply which is not equipped with the Earth Leakage Breaker can cause a fire when earth leakage occurs.
- **Be sure to use fuses which meet the specified rating.** (only for the machines which use fuses).
Using fuses exceeding the specified rating can cause a fire and electric shock.

- **Specification changes (removal of equipment, conversion and addition) not designated by SEGA are not allowed.**
The parts of the product include warning labels for safety, covers for personal protection, etc. It is very hazardous to operate the product by removing parts and or modifying the circuits. Should doors, lids and protective parts be damaged or lost, refrain from operating the product, and contact where the product was purchased from or the office herein stated. SEGA shall not be held responsible for any accidents, compensation for damage to a third party, resulting from the specifications not designated by SEGA.
 - **Ensure that the product meets the requirements of appropriate Electrical Specifications.**
Before installing the product, check for Electrical Specifications. SEGA products have a nameplate on which Electrical Specifications are described. Ensure that the product is compatible with the power supply voltage and frequency requirements of the location. Using any Electrical Specifications different from the designated Specifications can cause a fire and electric shock.
 - **Install and operate the product in places where appropriate lighting is available, allowing warning labels to be clearly read.**
To ensure safety for the customers, labels and printed instructions describing potentially hazardous situation are applied to places where accidents can be caused. Ensure that where the product is operated has sufficient lighting allowing the warnings to be read. If any label is peeled off, apply it again immediately. Please place an order with where the product was purchased from or the office herein stated.
 - **When handling the Monitor, be very careful. (Applies only to the product w/monitor.)**
Some of the monitor (TV) parts are subject to high tension voltage. Even after running off power, some portions are still subject to high tension voltage sometimes. Monitor repair and replacement should be performed only by those technical personnel who have knowledge of electricity and technical expertise.
 - **Be sure to adjust the monitor (projector) properly. (Applies only to the product w/monitor.)**
Do not operate the product leaving on-screen flickering or blurring as it is. Using the product with the monitor not properly adjusted may cause dizziness or a headache to an operator, a player, or the customers.
 - **When transporting or reselling this product, be sure to attach this manual to the product.**
In the case where commercially available monitors and printers are used in this product, only the contents relating to this product are explained herein. Some commercially available equipment has functions and reactions not stated in this manual. Read this manual together with the specific Instruction Manual of such equipment.
- Descriptions herein contained may be subject to improvement changes without notice.
 - The contents described herein are fully prepared with due care. However, should any question arise or errors be found, please contact SEGA.

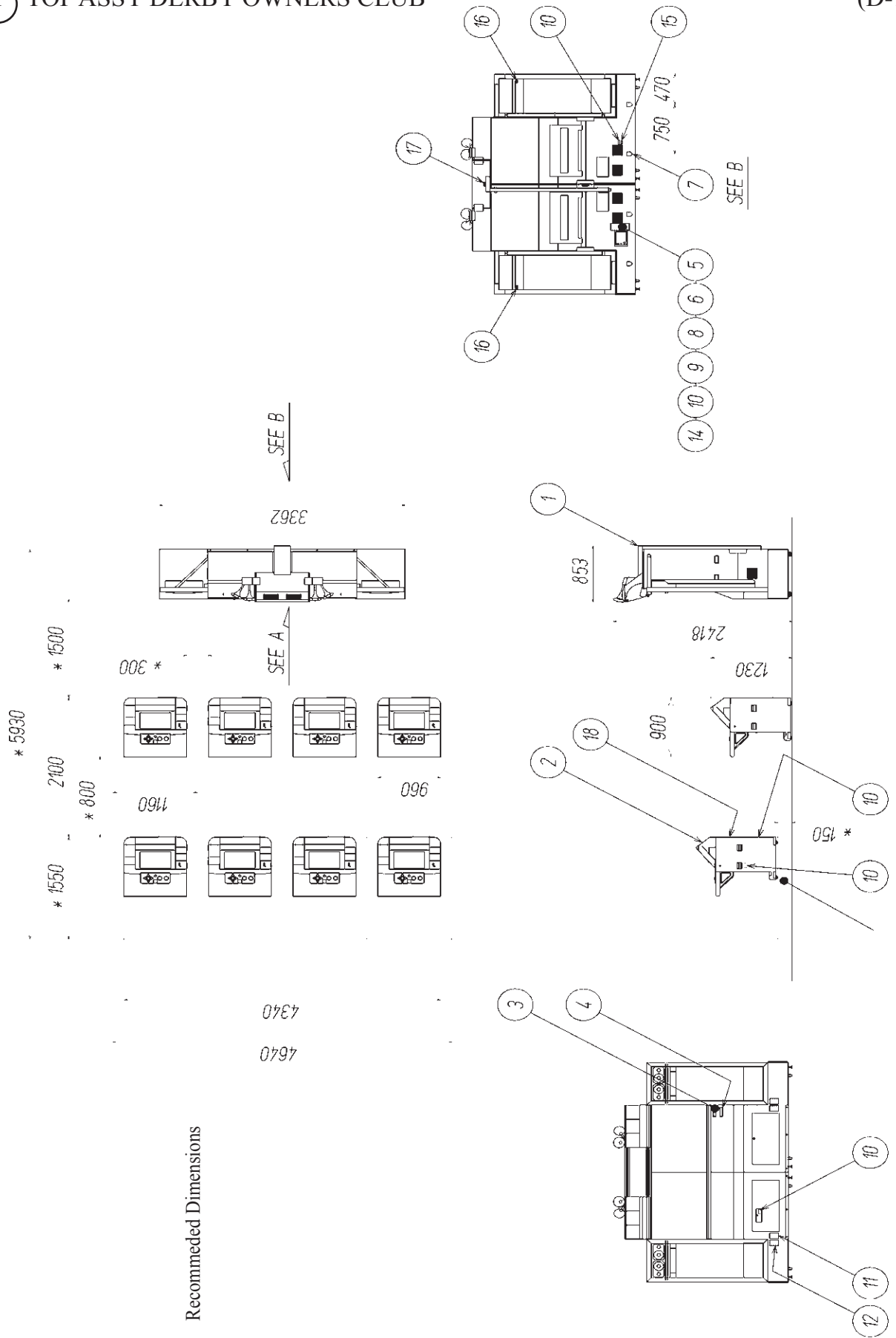
INSPECTIONS IMMEDIATELY AFTER TRANSPORTING THE PRODUCT TO THE LOCATION.

Normally, at the time of shipment, SEGA products are in a status allowing for usage immediately after transporting to the location. Nevertheless, an irregular situation may occur during transportation. Before turning on power, check the following points to ensure that the product has been transported in a satisfactory status.

- Are there any dented portions or defects (cuts, etc.) on the external surfaces of the cabinet?
- Are Casters and Adjusters, damaged?
- Do the power supply voltage and frequency requirements meet with those of the location?
- Are all wiring connectors correctly and securely connected? Unless connected in the correct direction, connector connections can not be made accurately. Do not insert connectors forcibly.
- Do power cords have cuts and dents?
- Do the fuses used meet specified rating? Is the Circuit Protector in an energized status?
- Are all accessories available?
- Can all Doors and Lids be opened with the Accessory keys? Can Doors and Lids be firmly closed?

① TOP ASSY DERBY OWNERS CLUB

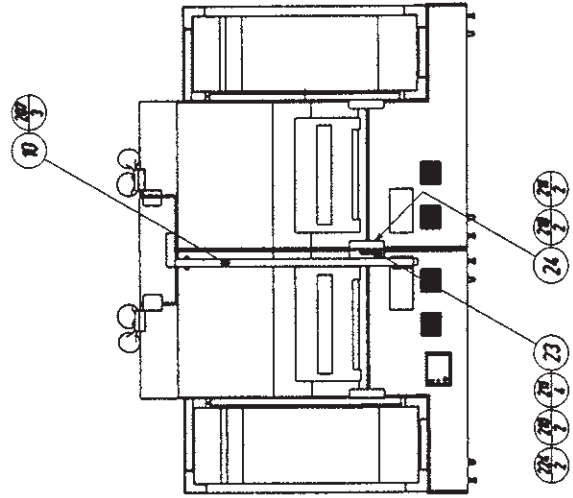
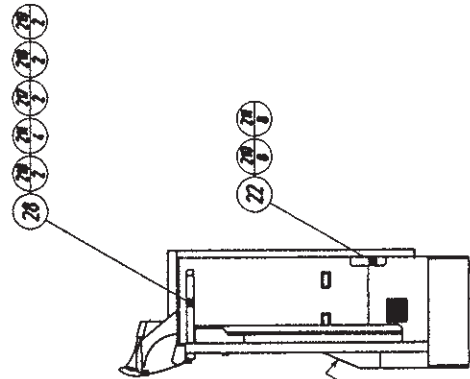
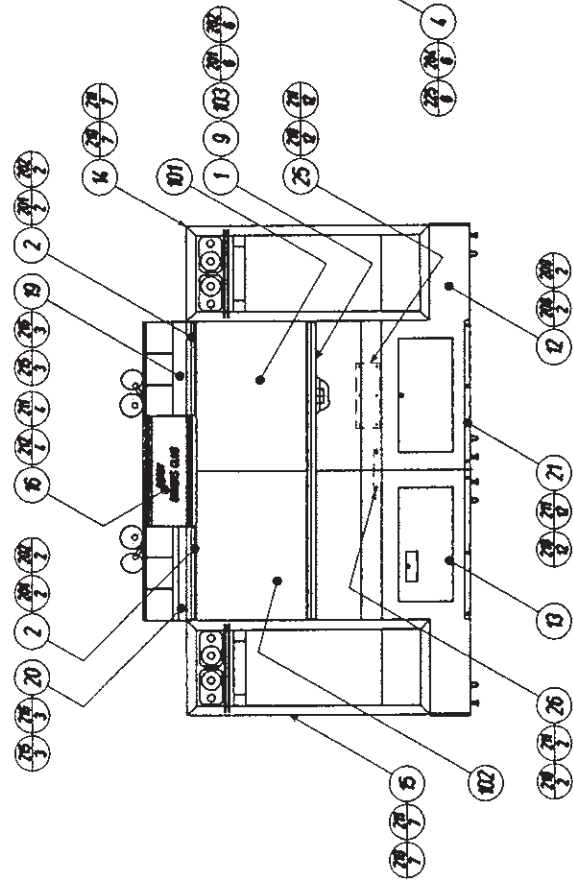
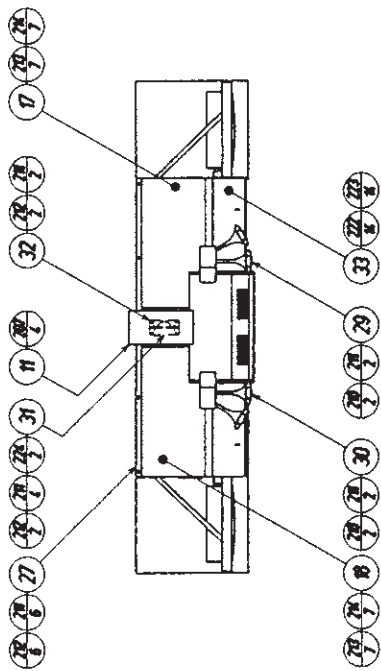
(D-1/2)



ITEM NO.	PART NO.	DESCRIPTION	NOTE
1	DOC-1000	ASSY MAIN PROJECTION	
2	DOC-1200	ASSY SATELLITE	
7	421-7020	STICKER CAUTION FORK	
11	440-WS0001XEG	STICKER W NOT OPEN DOOR ENG	
12	440-WS0002XEG	STICKER W POWER OFF ENG	
13	SGM-4516	POLY COVER 950×950×1100	
19	SGM-4517	POLY COVER 1780×860×730	
401	220-5576	KEY MASTER FOR 220-5575	
402	SGM-4111	KEY BAG (SGB-1035X)	
403	420-6679	OWNERS MANUAL DOC WE ENG	
404	420-6680	SERVICE MANUAL DOC WE ENG	
405	420-6681	PARTS CAT DOC WE ENG	
406	601-6604-70	CARTON BOX 70	
407	422-0887	PLAY INSTR DOC WE 1000S	
408	DOC-0011-01	PLAY INSTR BOX DOC ENG	
409	600-6664-02	WIRE HARN EARTH W/LUG M6	TAIWAN
410	600-6618	AC CABLE CONNECT TYPE FOR EXP	AC 220~240V AREA
	600-6619	AC CABLE CONNECT TYPE FOR UK	HONG KONG
	600-6695	AC CABLE CONNECT TYPE USA 15A	USA
	600-7217	AC CABLE CONNECT TYPE 13A 3P	
	600-7219	AC CABLE CONNECT TYPE 13A 3P 3M	TAIWAN
	600-7220	AC CABLE CONN TYPE 13A 3P W/SH	
411	390-5761	LAMP 110V 15W	
412	280-5009-01	CORD CLAMP 21	
413	280-6609	REPEAT TIE RF140	
414	600-6275-0500	ASSY FIBER CABLE 5 0500CM	
415	600-6275-0700	ASSY FIBER CABLE 5 0700CM	
416	600-6275-1000	ASSY FIBER CABLE 5 1000CM	
417	211-5479-01	CONN OPT JOINT(TOCA150S)	
418	601-10878-01	CLEANING KIT 8 SHEETS	
419	601-10879-01	CARD PACKAGE DOC 500 ENG	
420	420-6455-01	SERVICE MANUAL NAOMI ENG	
421	540-5036-5000	FUSE 6.4×30 5000MA 125V	
422	390-6677-038	LAMP WB 14V 3.8A	
/	DOC-1303	POP PNL DOC BASE	
/	DOC-1500	POP PNL DOC WE	
/	421-6690-06	STICKER 110V	AC 110V AREA
/	421-6690-01	STICKER 120V	AC 120V AREA
/	421-6690-03	STICKER 220V	AC 220V AREA
/	421-6120-92	STICKER SEGA USA	USA

② ASSY MAIN PROJECTION (DOC-1000)

(D-1/3)



② ASSY MAIN PROJECTION (DOC-1000)

(D-2/3)

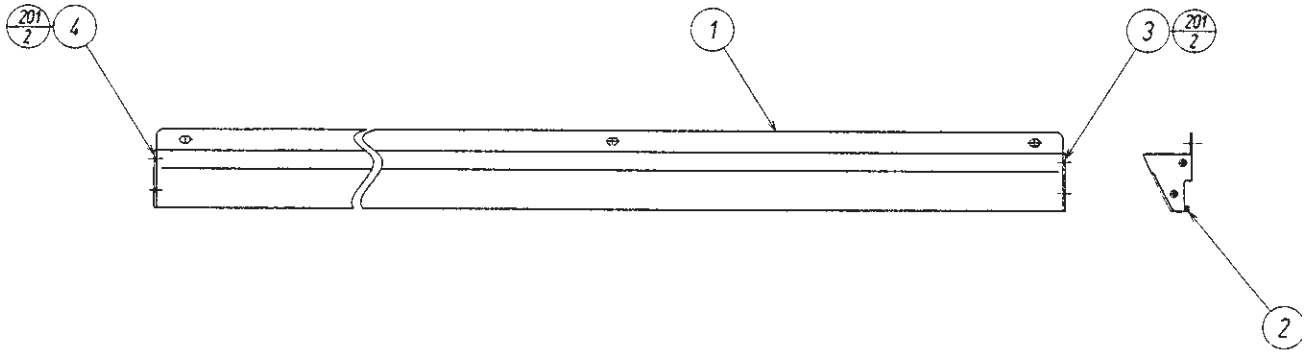
ITEM NO.	PART NO.	DESCRIPTION	NOTE
1	DOC-1001	ASSY TV MASK LONG	
2	DOC-1196	ASSY TV MASK UPPER	
4	DOC-1004	FRONT COVER	
9	DOC-1019	FRONT COVER BRKT SHORT	
10	DOC-1016	WIRE COVER BACK SIDE R	
11	DOC-1018	WIRE COVER TOP	
12	DOC-1020	ASSY PROJECTION STAND R	
13	DOC-1030	ASSY PROJECTION STAND L	
14	DOC-1050	ASSY SIDE FRAME R	
15	DOC-1080	ASSY SIDE FRAME L	
16	DOC-1100	ASSY BILLBOARD CENTER	
17	DOC-1141	BILLBOARD BASE R	
18	DOC-1151	BILLBOARD BASE L	
19	DOC-1160	BILLBOARD LAMP UNIT R	
20	DOC-1170	BILLBOARD LAMP UNIT L	
21	DOC-1181	JOINT L BRKT UNDER	
22	DOC-1182	PROJECTION JOINT A	
23	DOC-1183	PROJECTION JOINT B	
24	DOC-1184	PROJECTION JOINT C	
25	DOC-1185	PROJECTION JOINT PLATE	
26	DOC-1186	PROJECTION JOINT D	
27	DOC-1189	JOINT L BRKT TOP	
28	DOC-1076	SIDE FRAME BRKT TOP	
29	DOC-1130	ASSY TRUMPET R	
30	DOC-1135	ASSY TRUMPET L	
31	DOC-1187	PROJECTION JOINT TOP A	
32	DOC-1188	PROJECTION JOINT TOP B	
33	DOC-1155	ASSY MIRROR	
101	200-5922-31R 200-5952-31	PJTN DSPL M 50TYPE 31K R PJTN DSPL T 50TYPE 31K (JOIN)	
102	200-5922-31L 200-5952-31	PJTN DSPL M 50TYPE 31K L PJTN DSPL T 50TYPE 31K (JOIN)	
103	280-5009-01	CORD CLAMP 21	
201	030-000630-S	HEX BLT W/S M6×30	
202	068-652016	FLT WSHR 6.5-20×1.6	
204	068-441616-0C	FLT WSHR CRM 4.4-16×1.6	
207	000-P00416-WB	M SCR PH W/FS BLK M4×16	
208	030-000840-S	HEX BLT W/S M8×40	
209	068-852216	FLT WSHR 8.5-22×1.6	
210	030-000820-SB	HEX BLT W/S BLK M8×20	
211	068-852216-0B	FLT WSHR BLK 8.5-22×1.6	
212	030-000816-SB	HEX BLT W/S BLK M8×16	
213	030-000630-SB	HEX BLT BLK W/S M6×30	
214	068-652016-0B	FLT WSHR BLK 6.5-20×1.6	
215	000-T00516-0C	M SCR TH CRM M5×16	
216	068-652016-0C	FLT WSHR CRM 6.5-20×1.6	
217	030-000816-0B	HEX BLT BLK M8×16	
218	050-H00800-0B	HEX NUT BLK M8	
219	060-S00800-0B	SPR WSHR BLK M8	
222	000-P00516	M SCR PH W/FS BLK M5×16	
223	068-552016-0B	FLT WSHR BLK 5.5-20×1.6	
225	000-T00435-0C	M SCR TH CRM M4×35	

② ASSY MAIN PROJECTION (DOC-1000)

(D-3/3)

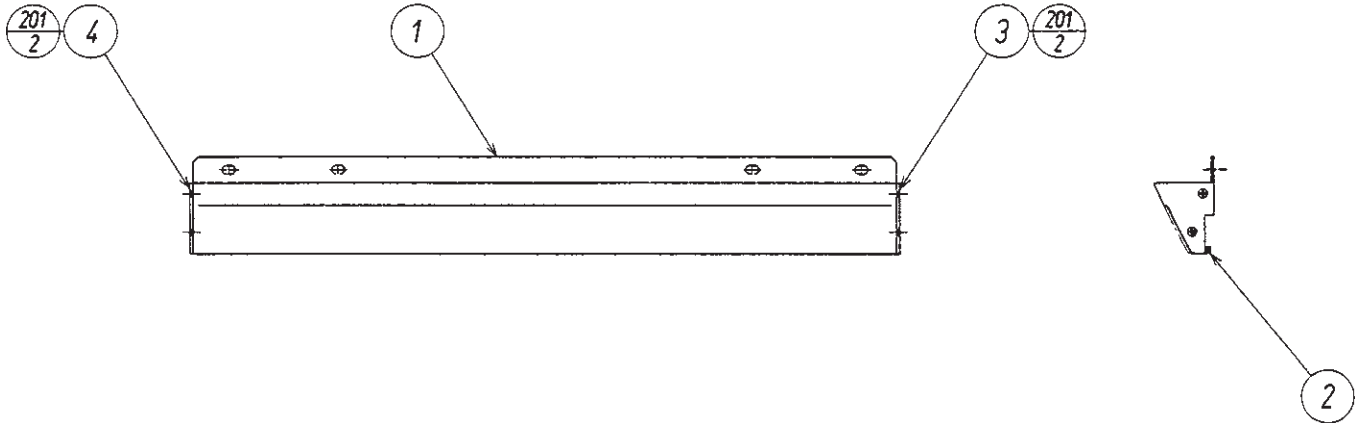
ITEM NO.	PART NO.	DESCRIPTION	NOTE
301	DOC-60078	WIRE HARN LAMP M EXT 2	
302	DOC-60079	WIRE HARN FL M EXT 2	
/	DOC-1501	STICKER FRONT L DOC WE	
/	DOC-1502	STICKER FRONT R DOC WE	

③ ASSY TV MASK LONG (DOC-1001)



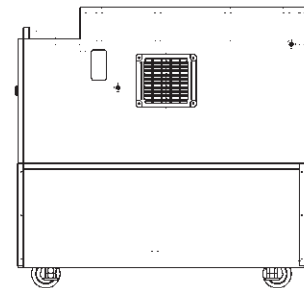
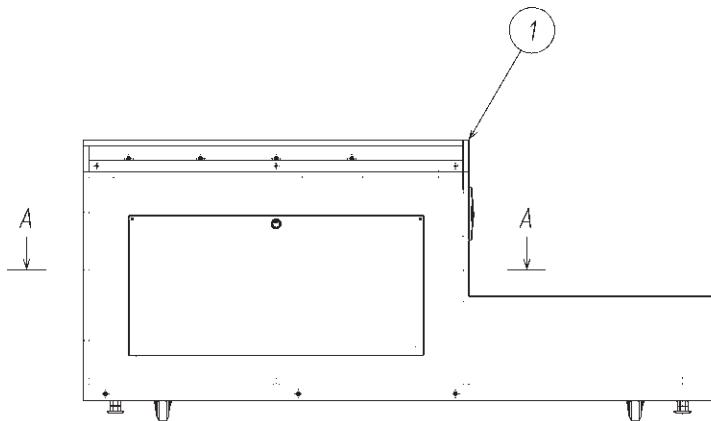
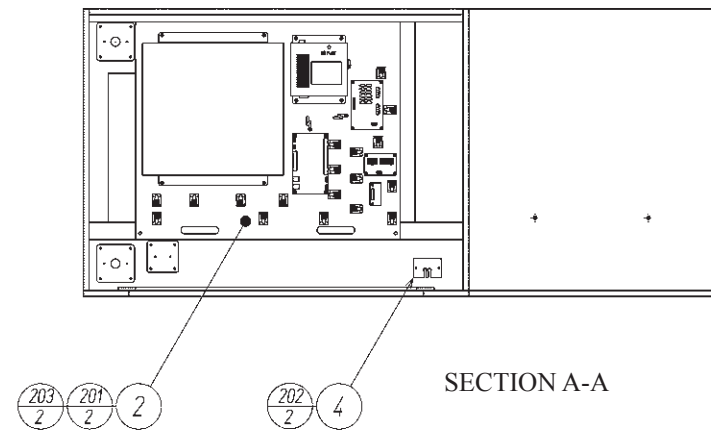
ITEM NO.	PART NO.	DESCRIPTION	NOTE
1	DOC-1191	TV MASK LONG	
2	DOC-1009	TV MASK SPONGE 508	
3	DOC-1011	EDGE GUARD A WHITE	
4	DOC-1012	EDGE GUARD B WHITE	
201	010-F00410	AS-TITE SCR FH M4×10	

④ ASSY TV MASK UPPER (DOC-1196)

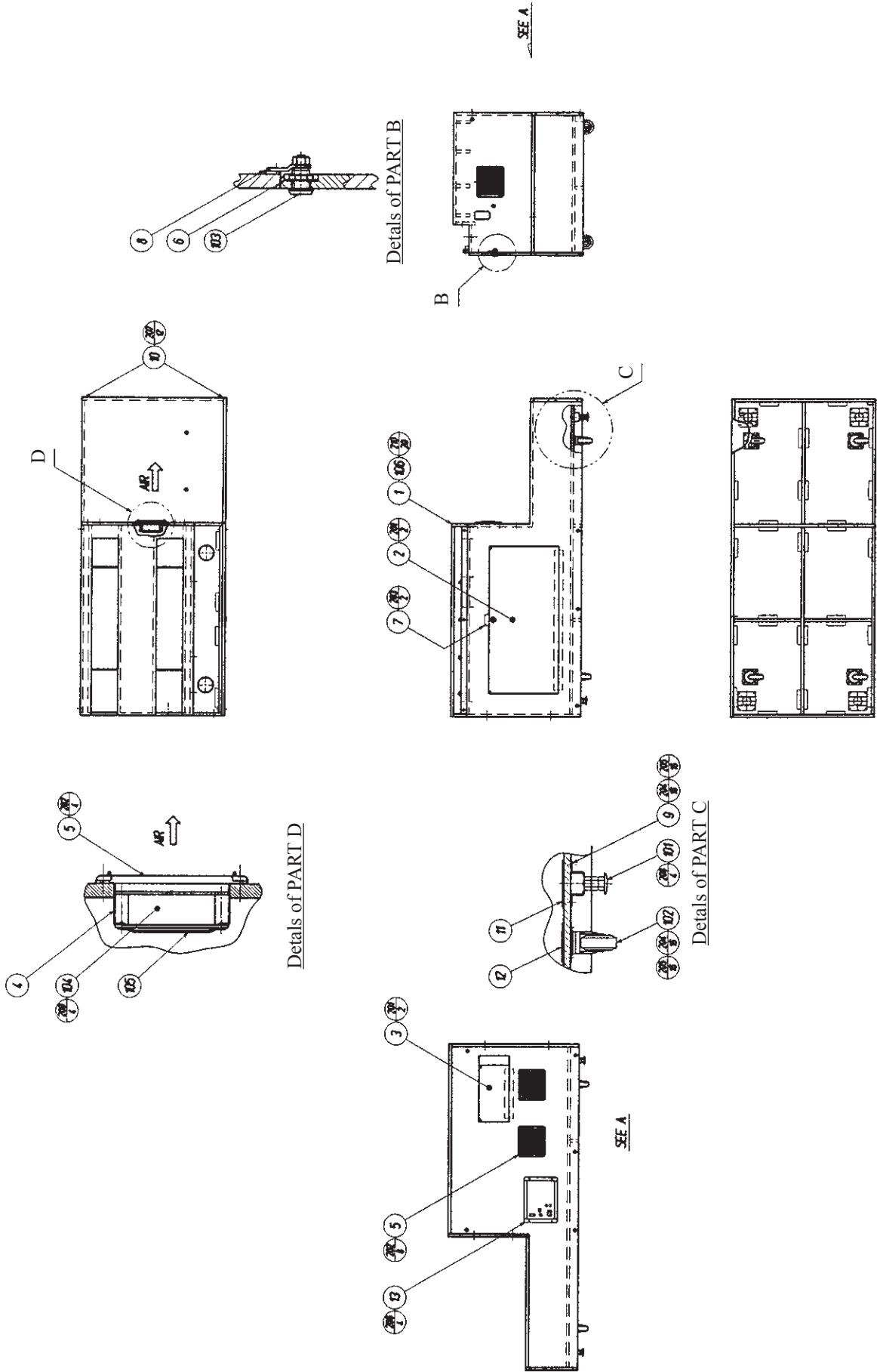


ITEM NO.	PART NO.	DESCRIPTION	NOTE
1	DOC-1197	TV MASK UPPER	
2	DOC-1010	TV MASK SPONGE 637	
3	DOC-1013	EDGE GUARD A BLACK	
4	DOC-1014	EDGE GUARD B BLACK	
201	010-F00410-B	S-TITE SCR FH BLK M4×10	

5 ASSY PROJECTION STAND R (DOC-1020)



ITEM NO.	PART NO.	DESCRIPTION	NOTE
1	DOC-1021	SUBCABI PROJECTION STAND R	
2	DOC-4000	ASSY ELEC BASE	
4	DOC-1025	FIBER GUIDE PTV	
201	000-P00430-W	M SCR PH W/FS M4×30	
202	000-P00420-W	M SCR PH W/FS M4×20	
203	068-441616	FLT WSHR 4.4-16×1.6	

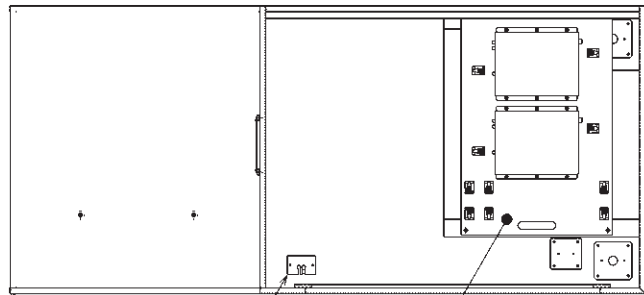


⑥ SUBCABI PROJECTION STAND R (DOC-1021)

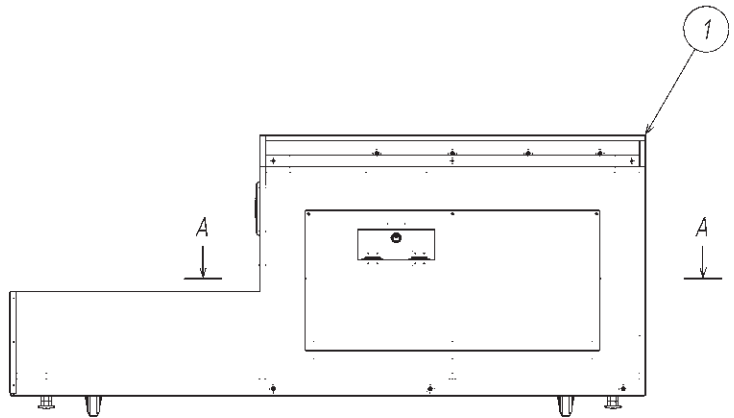
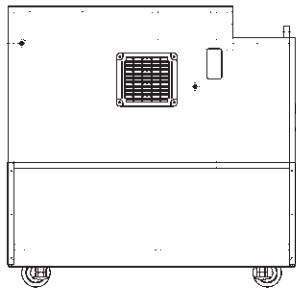
(D-2/2)

ITEM NO.	PART NO.	DESCRIPTION	NOTE
1	DOC-1022X	PROJECTION STAND R	
2	DOC-1023	MAINTENANCE DOOR R	
3	DOC-1024	BACK MAINTENANCE DOOR R	
4	105-5340-01	FAN BRKT LONG	
5	253-5460-01	AIR VENT BLACK	
6	117-0062	PLATE LOCK RETAINER	
7	117-0063	PLATE TONGUE RETAINER	
8	DP-1148X	LKG TNG	
9	BJH-1209	LEG BRKT	
10	DOC-1026	EDGE GUARD	
11	DOC-1027	NUT PLATE FOR LEG BRKT 80	
12	SCR-1008	NUT PLATE FOR CASTER	
13	DOC-1090	AC UNIT	
101	601-5699X	LEG ADJUSTER BOLT M16×75	
102	601-9377	CASTER FAI=75	
103	220-5575	CAM LOCK MASTER W/O KEY	
104	260-0011-02	AXIAL FLOW FAN AC100V 50-60HZ	
105	601-8543	FAN GUARD	
106	280-5009-01	CORD CLAMP 21	
201	000-T00430-0B	M SCR TH BLK M4×30	
202	000-T00420-0B	M SCR TH BLK M4×20	
203	011-P00312	TAP SCR PH 3×12	
204	030-000630-S	HEX BLT W/S M6×30	
205	060-F00600	FLT WSHR M6	
206	000-P00416-WB	M SCR PH W/FS BLK M4×16	
207	079-000008	SCR NAIL THH STNLS 1.5×16	
208	050-H01600	HEX NUT M16	
209	000-P00416-W	M SCR PH W/FS M4×16	
210	011-F00310	TAP SCR FH 3×10	
309	DOC-60093	WIRE HARN RGB R	
310	DOC-6051	ASSY WIRE REAR	
311	DOC-6052	ASSY WIRE SIDE R	
/	DOC-4210	ASSY TRANS 200V LINES	AC 220~240V AREA
/	DOC-4200	ASSY TRANS 100V LINES	AC 110~120V AREA
/	030-000630-S	HEX BLT W/S M6×30	
/	068-652016	FLT WSHR 6.5-20×1.6	

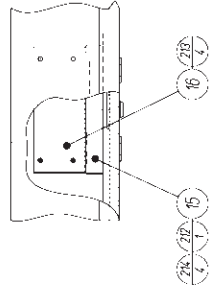
⑦ ASSY PROJECTION STAND L (DOC-1030)



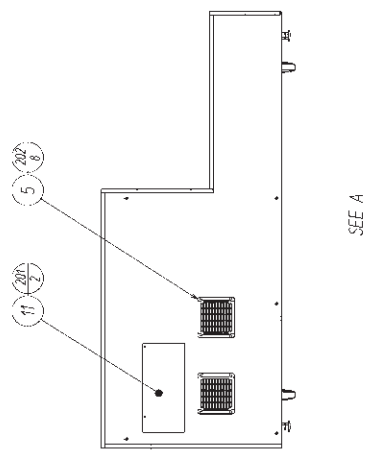
SECTION A-A
 202/2 4 203/2 201/2 3



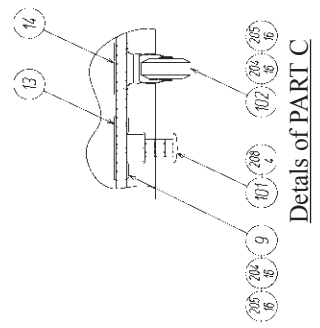
ITEM NO.	PART NO.	DESCRIPTION	NOTE
1	DOC-1031	SUBCABI PROJECTION STAND L	
3	DOC-4100	ASSY AMP UNIT	
4	DOC-1025	FIBER GUIDE PTV	
201	000-P00430-W	M SCR PH W/FS M4×30	
202	000-P00420-W	M SCR PH W/FS M4×20	
203	068-441616	FLT WSHR 4.4-16×1.6	



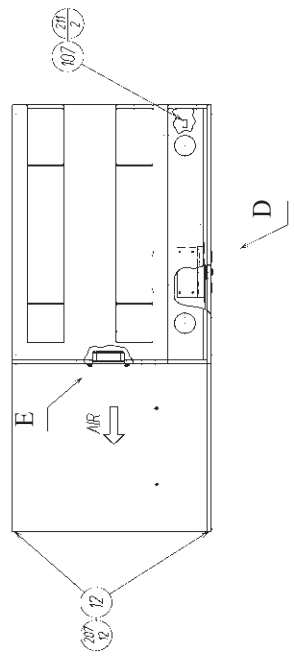
Details of PART D



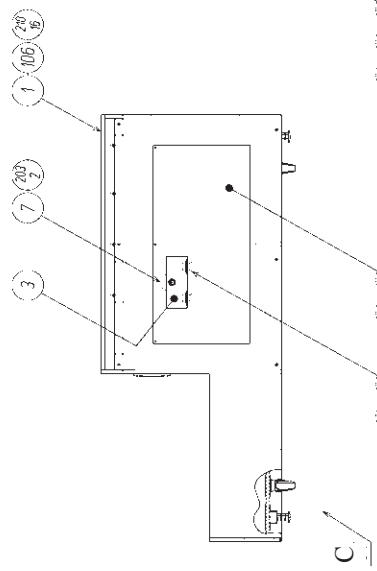
SEE A



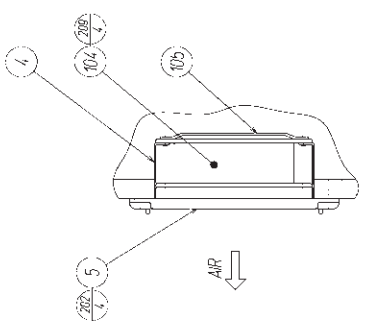
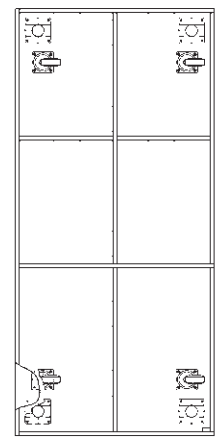
Details of PART C



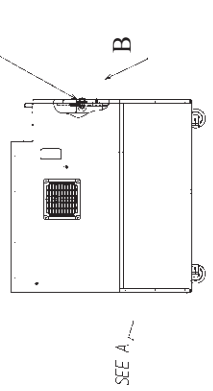
D



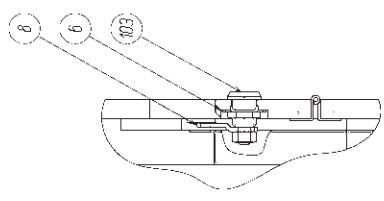
C



Details of PART E



SEE A



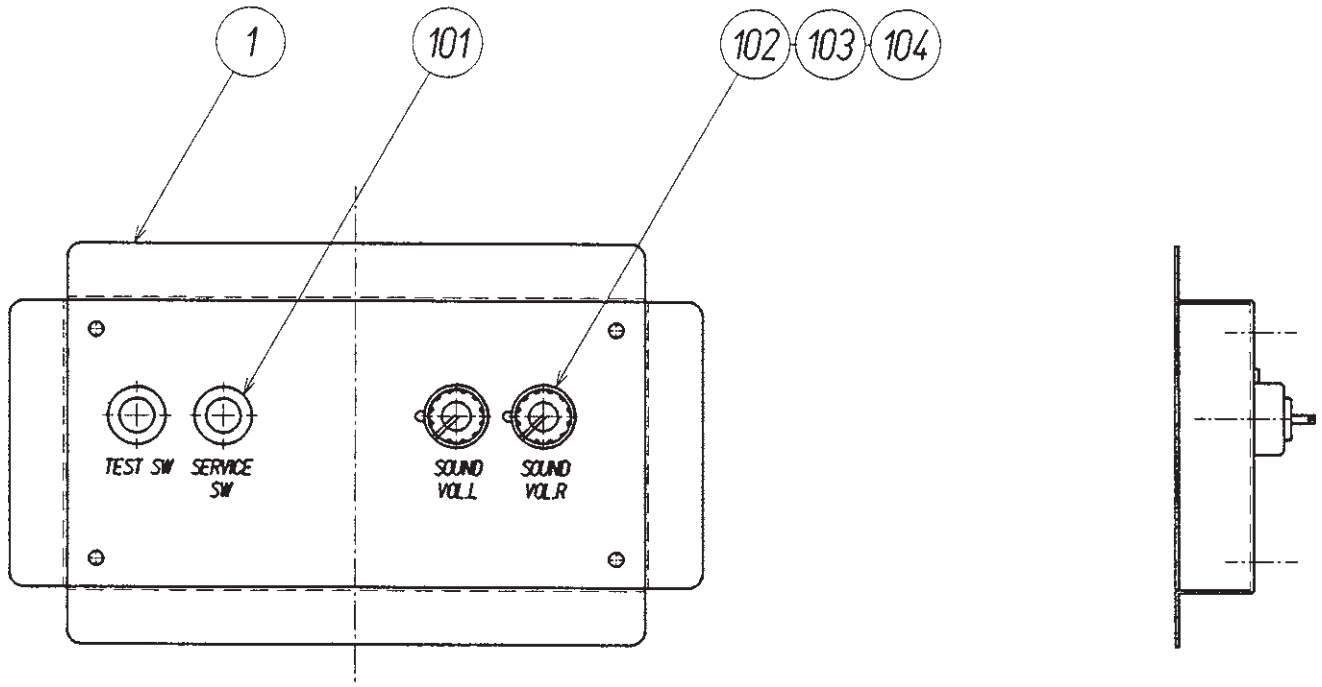
Details of PART B

⑧ SUBCABI PROJECTION STAND L (DOC-1031)

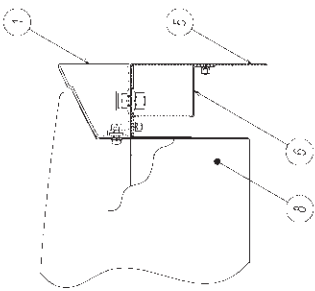
(D-2/2)

ITEM NO.	PART NO.	DESCRIPTION	NOTE
1	DOC-1032	PROJECTION STAND L	
2	DOC-1033	MAINTENANCE DOOR L	
3	DOC-1034	SERVICE DOOR	
4	105-5340-01	FAN BRKT LONG	
5	253-5460-01	AIR VENT BLACK	
6	117-0062	PLATE LOCK RETAINER	
7	117-0063	PLATE TONGUE RETAINER	
8	DP-1148X	LKG TNG	
9	BJH-1209	LEG BRKT	
10	105-5416	HINGE 15-38	
11	DOC-1036	BACK MAINTENANCE DOOR L	
12	DOC-1026	EDGE GUARD	
13	DOC-1027	NUT PLATE FOR LEG BRKT 80	
14	SCR-1008	NUT PLATE FOR CASTER	
15	DOC-1040	SW UNIT	
16	DOC-1035	SW UNIT BRKT	
101	601-5699X	LEG ADJUSTER BOLT M16×75	
102	601-9377	CASTER FAI=75	
103	220-5575	CAM LOCK MASTER W/O KEY	
104	260-0011-02	AXIAL FLOW FAN AC100V 50-60HZ	
105	601-8543	FAN GUARD	
106	280-5009-01	CORD CLAMP 21	
107	117-5402-06	EARTH TERMINAL PLATE 6P	
201	000-T00430-0B	M SCR TH BLK M4×30	
202	000-T00420-0B	M SCR TH BLK M4×20	
203	011-P00312	TAP SCR PH 3×12	
204	030-000630-S	HEX BLT W/S M6×30	
205	060-F00600	FLT WSHR M6	
207	079-000008	SCR NAIL THH STNLS 1.5×16	
208	050-H01600	HEX NUT M16	
209	000-P00312-W	M SCR PH W/FS M3×12	
210	011-F00310	TAP SCR FH 3×10	
211	011-F03516	TAP SCR FH 3.5×16	
212	050-F00400	FLG NUT M4	
213	000-P00525-W	M SCR PH W/FS M5×25	
214	000-P00410-WB	M SCR PH BLK W/FS M4×10	
307	DOC-60092	WIRE HARN RGB L	
308	DOC-6053	ASSY WIRE SIDE L	
309	600-6972-2200	WIRE HARN EARTH ID5 2200MM	

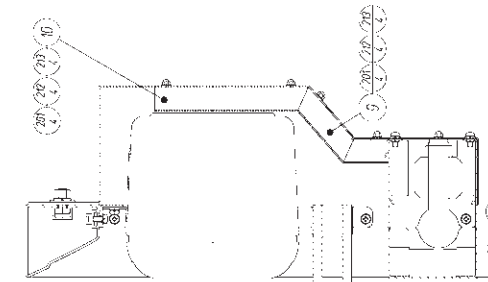
⑨ SW UNIT (DOC-1040)



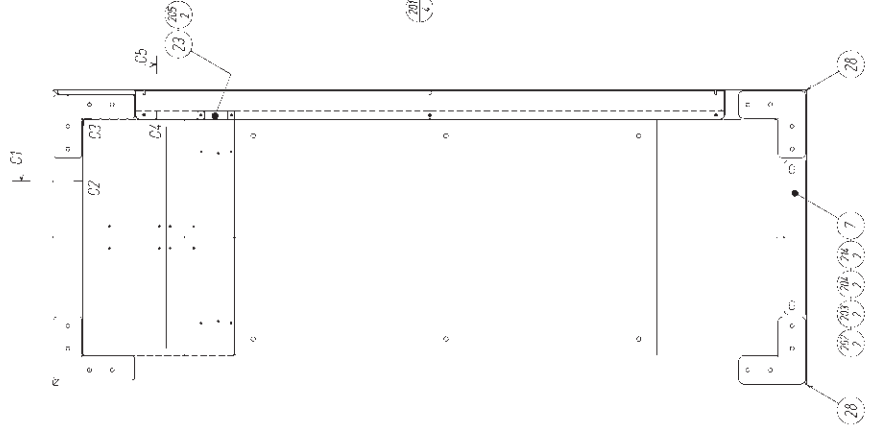
ITEM NO.	PART NO.	DESCRIPTION	NOTE
1	DOC-1041	SW UNIT BOX	
101	509-5028	SW PB 1M (MIYAMA DS-412R)	
102	220-5179	VOL CONT B-5K OHM	
103	601-0042	KNOB 22MM	
104	310-5029-F20	SUMITUBE F F 20MM	
105	601-0460	PLASTIC TIE BELT 100MM	
301	DOC-60074	WIRE HARN TEST SERVICE SW M	
302	DOC-60075	WIRE HARN SOUND VOL M	



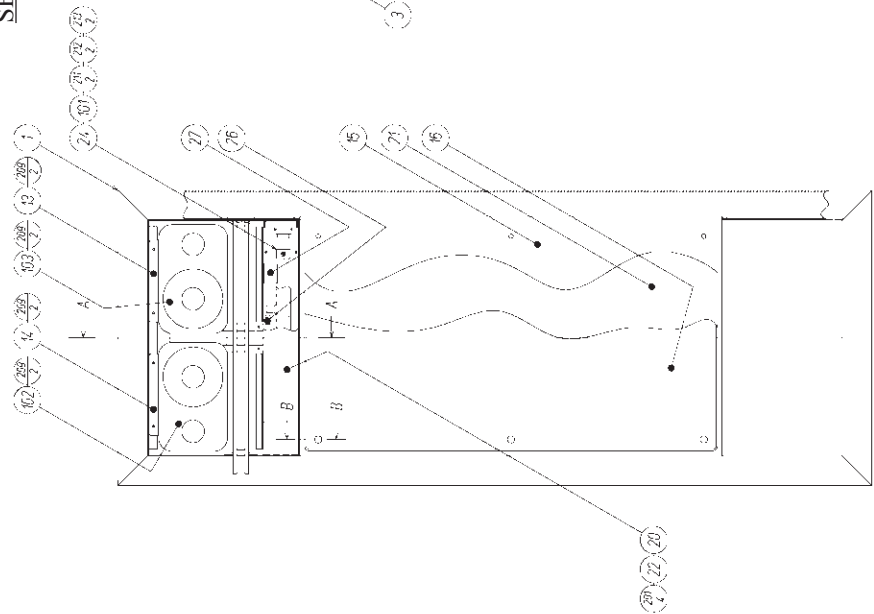
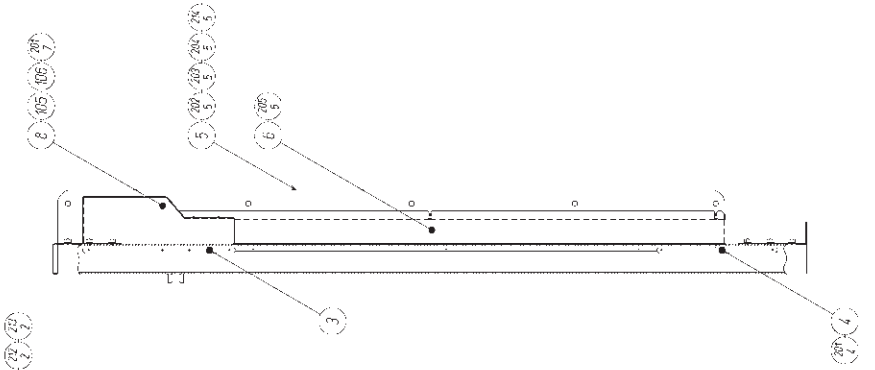
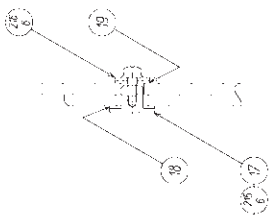
SECTION C1-C2-C3-C4-C5



SECTION A-A



SECTION B-B

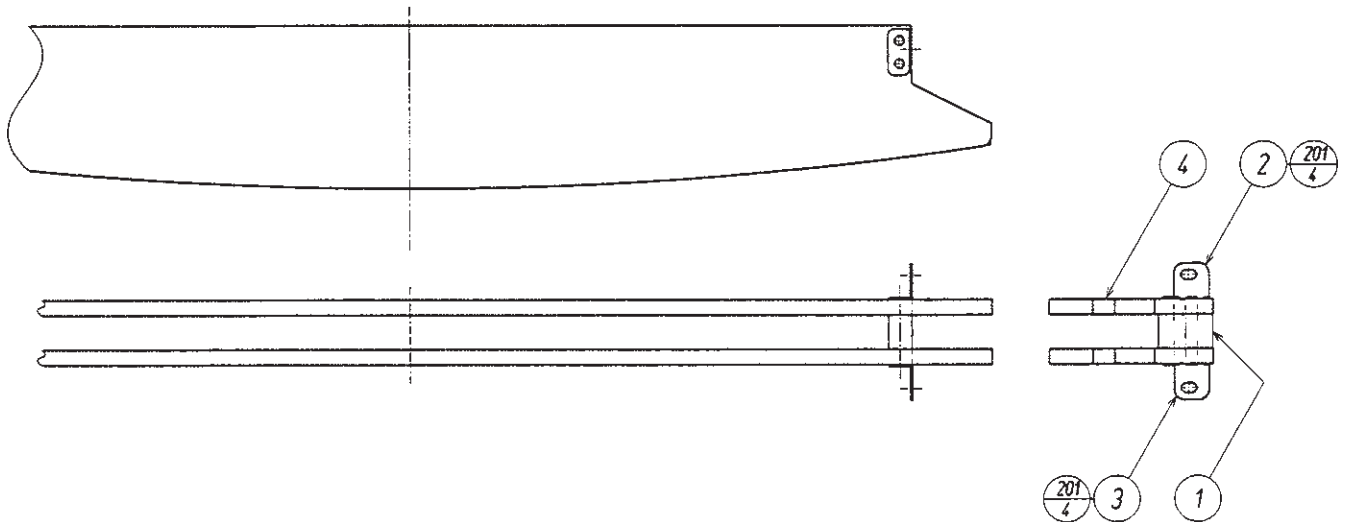


⑩ ASSY SIDE FRAME R (DOC-1050)

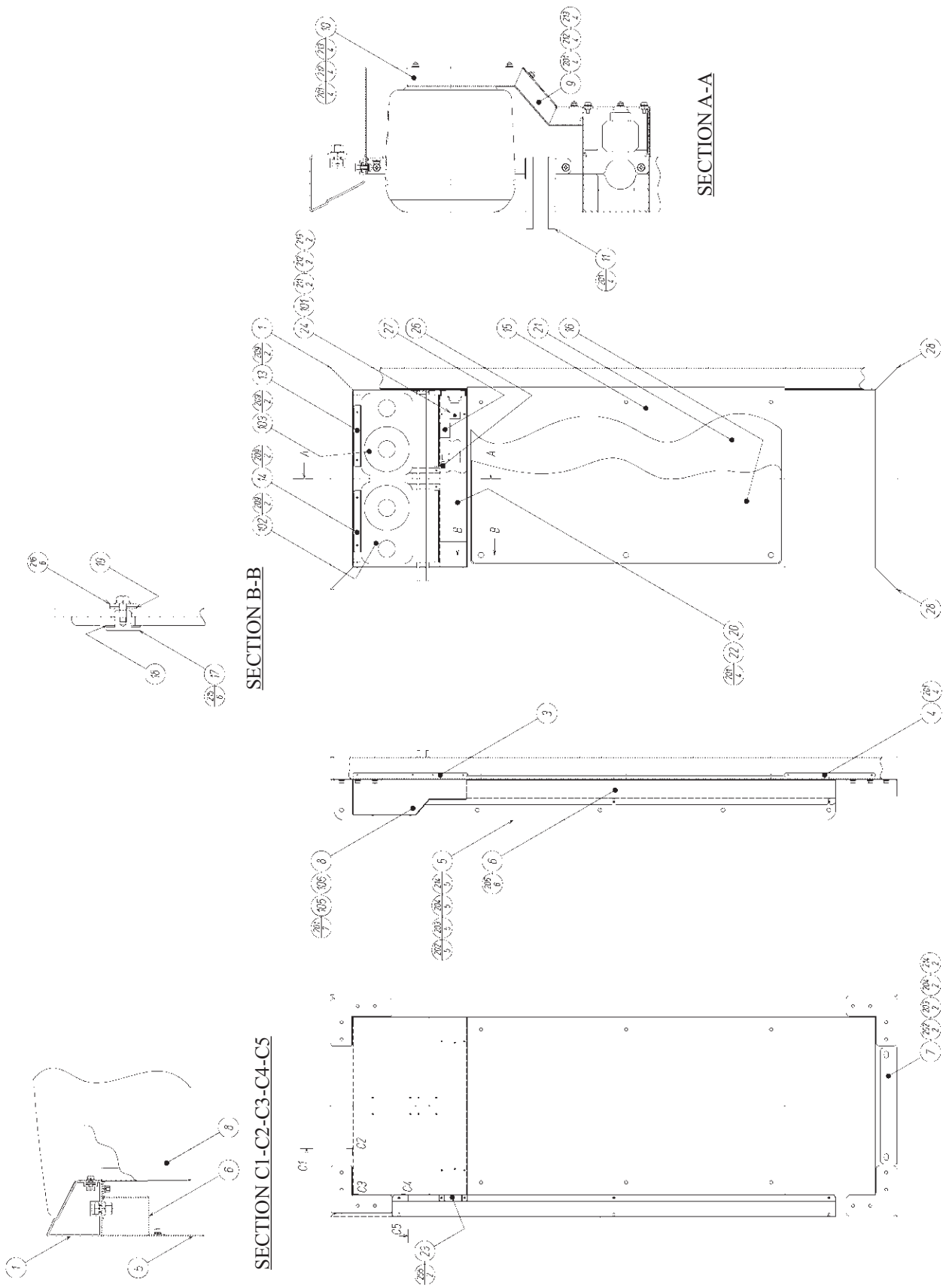
(D-2/2)

ITEM NO.	PART NO.	DESCRIPTION	NOTE
1	DOC-1051X	SIDE FRAME	
3	DOC-1053	SIDE NUT PLATE UPPER	
4	DOC-1054	SIDE NUT PLATE LOWER	
5	DOC-1055	SIDE FRAME BRKT R	
6	DOC-1056	SIDE FRAME WIRE COVER R	
7	DOC-1058	SIDE FRAME BRKT LOWER	
8	DOC-1059	SPEAKER COVER R	
9	DOC-1060	WIRE COVER A	
10	DOC-1061	WIRE COVER B	
11	DOC-1062	ASSY ACRYLIC PLATE	
13	DOC-1065X	SPEAKER BRKT R	
14	DOC-1066X	SPEAKER BRKT L	
15	DOC-1071	PICTURE BOARD BASE	
16	DOC-1072	PICTURE BOARD FRONT	
17	DOC-1073	PICTURE BOARD HOLDER	
18	DOC-1074	RUBBER WASHER FRONT	
19	DOC-1075	RUBBER WASHER BACK	
20	DOC-1077	FL COVER	
21	DOC-1194	PICTURE SHEET	
22	DOC-1195	STICKER FL COVER	
23	DOC-1057	SIDE FRAME WIRE COVER S	
24	253-5457	FL HOLDER	OTHERS USA
26	421-7501-12	STICKER FL 15W Locally supplied.	OTHERS USA
27	440-WS0141-EG	STICKER W HIGH TEMP S ENG	
28	DOC-1051X-D	EDGE GUARD	
101	390-6659-15EX	ASSY FL15W EX W/CONN HIGH S CE Locally supplied.	OTHERS USA
102	130-5183-01	SPEAKER OE-637 L	
103	130-5183-02	SPEAKER OE-637 R	
105	280-5009-01	CORD CLAMP 21	
106	280-5277	CORD CLAMP 18	
201	000-P00410-WB	M SCR PH BLK W/FS M4×10	
202	030-000816-0B	HEX BLT BLK M8×16	
203	060-S00800-0B	SPR WSHR BLK M8	
204	068-852216-0B	FLT WSHR BLK 8.5-22×1.6	
205	FAS-500029	FLG NUT BLK M4	
209	000-P00512-WB	M SCR PH W/FS BLK M5×12	
211	000-P00430-WB	M SCR PH W/FS BLK M4×30 Locally supplied.	OTHERS USA
212	068-552016-0B	FLT WSHR BLK 5.5-20×1.6	
213	050-C00400-3B	CAP NUT TYPE3 BLK M4	
214	050-H00800-0B	HEX NUT BLK M8	
215	000-T00408-0C	M SCR TH CRM M4×8	
216	068-441616-0C	FLT WSHR CRM 4.4-16×1.6	
301	DOC-60088	WIRE HARN SPEAKER M EXT	
302	DOC-60089	WIRE HARN FL SIDE M EXT	
303	DOC-60090	WIRE HARN SPEAKER M	
304	DOC-60091	WIRE HARN FL SIDE M	

⑪ ASSY ACRYLIC PLATE (DOC-1062)



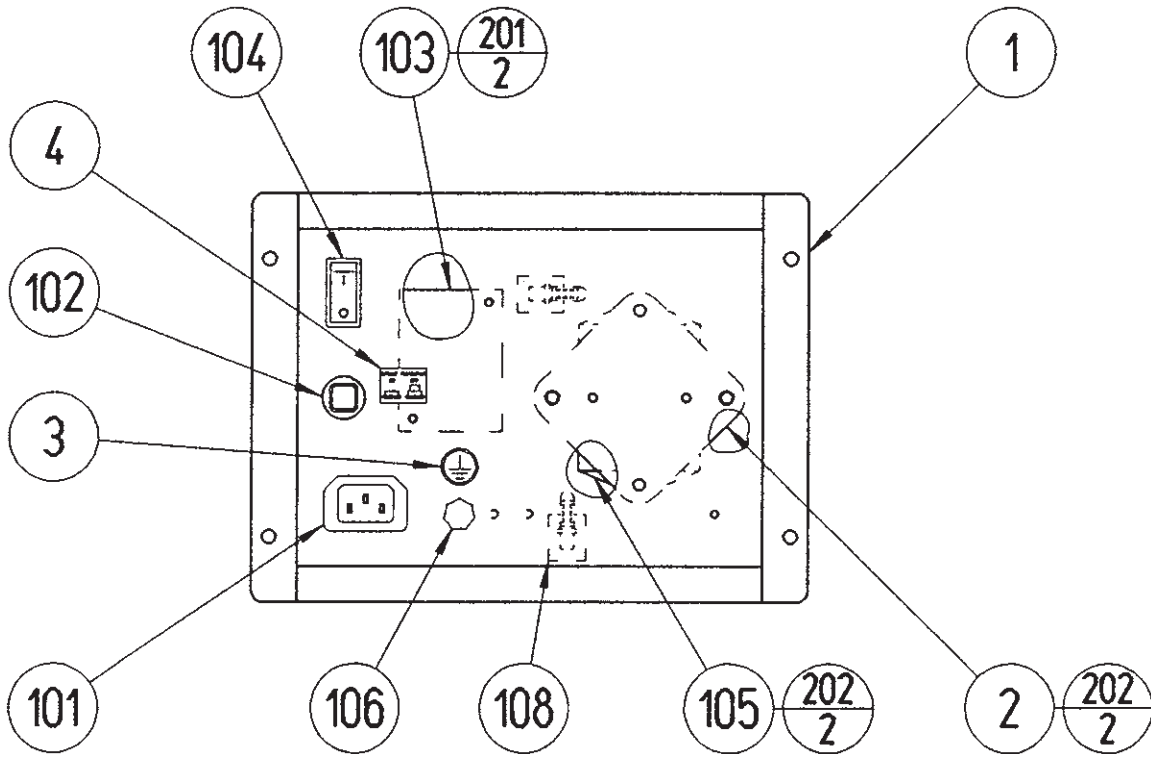
ITEM NO.	PART NO.	DESCRIPTION	NOTE
1	DOC-1067	ACRYLIC PLATE HOLDER	
2	DOC-1068	ACRYLIC PLATE BRKT A	
3	DOC-1069	ACRYLIC PLATE BRKT B	
4	DOC-1070	ACRYLIC PLATE	
201	000-T00416-0B	M SCR TH BLK M4×16	



⑫ ASSY SIDE FRAME L (DOC-1080)

(D-2/2)

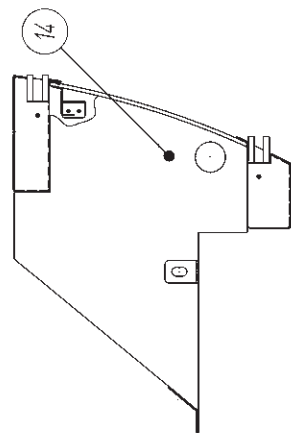
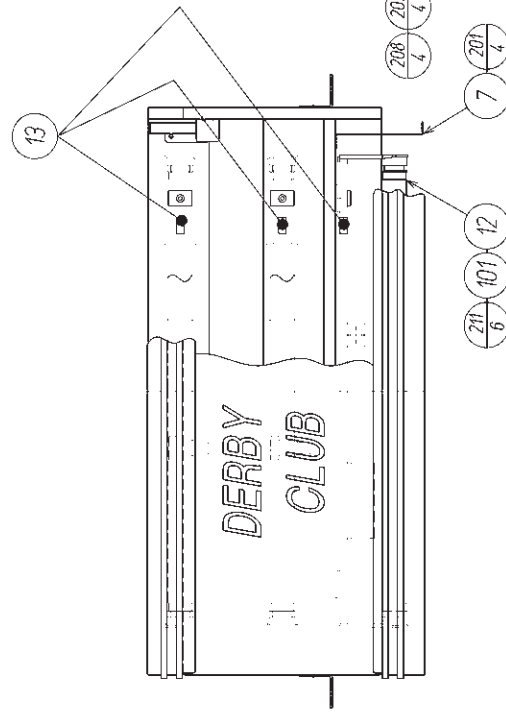
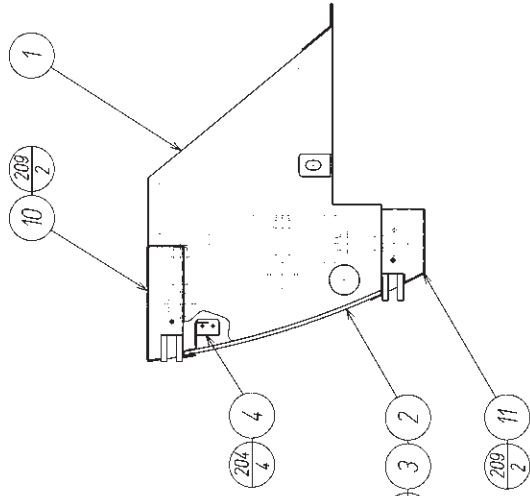
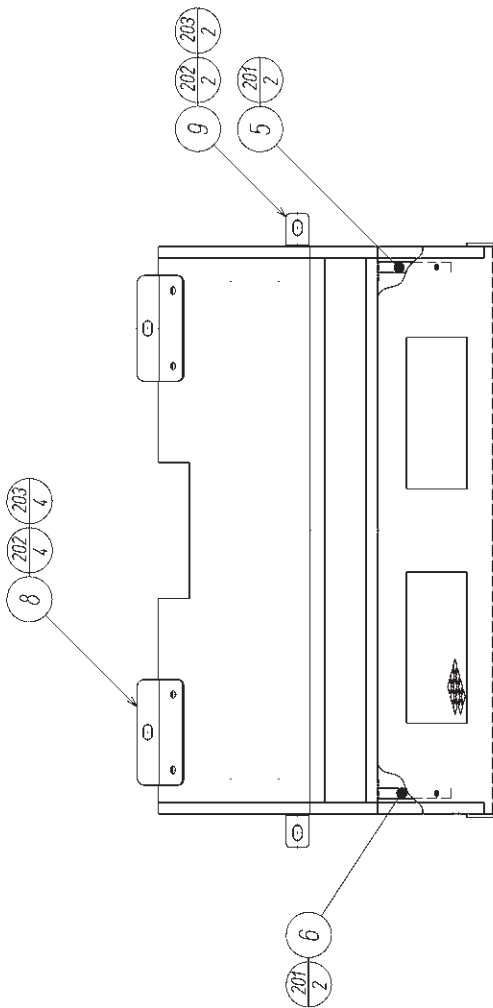
ITEM NO.	PART NO.	DESCRIPTION	NOTE
1	DOC-1051X	SIDE FRAME	
3	DOC-1053	SIDE NUT PLATE UPPER	
4	DOC-1054	SIDE NUT PLATE LOWER	
5	DOC-1085	SIDE FRAME BRKT L	
6	DOC-1086	SIDE FRAME WIRE COVER L	
7	DOC-1058	SIDE FRAME BRKT LOWER	
8	DOC-1089	SPEAKER COVER L	
9	DOC-1060	WIRE COVER A	
10	DOC-1061	WIRE COVER B	
11	DOC-1062	ASSY ACRYLIC PLATE	
13	DOC-1065X	SPEAKER BRKT R	
14	DOC-1066X	SPEAKER BRKT L	
15	DOC-1071	PICTURE BOARD BASE	
16	DOC-1072	PICTURE BOARD FRONT	
17	DOC-1073	PICTURE BOARD HOLDER	
18	DOC-1074	RUBBER WASHER FRONT	
19	DOC-1075	RUBBER WASHER BACK	
20	DOC-1077	FL COVER	
21	DOC-1194	PICTURE SHEET	
22	DOC-1195	STICKER FL COVER	
23	DOC-1057	SIDE FRAME WIRE COVER S	
24	253-5457	FL HOLDER	OTHERS USA
26	421-7501-12	STICKER FL 15W Locally supplied.	OTHERS USA
27	440-WS0141-EG	STICKER W HIGH TEMP S ENG	
28	DOC-1051X-D	EDGE GUARD	
101	390-6659-15EX	ASSY FL15W EX W/CONN HIGH S CE Locally supplied.	OTHERS USA
102	130-5183-01	SPEAKER OE-637 L	
103	130-5183-02	SPEAKER OE-637 R	
105	280-5009-01	CORD CLAMP 21	
106	280-5277	CORD CLAMP 18	
201	000-P00410-WB	M SCR PH BLK W/FS M4×10	
202	030-000816-0B	HEX BLT BLK M8×16	
203	060-S00800-0B	SPR WSHR BLK M8	
204	068-852216-0B	FLT WSHR BLK 8.5-22×1.6	
205	FAS-500029	FLG NUT BLK M4	
209	000-P00512-WB	M SCR PH W/FS BLK M5×12	
211	000-P00430-WB	M SCR PH W/FS BLK M4×30 Locally supplied.	OTHERS USA
212	068-552016-0B	FLT WSHR BLK 5.5-20×1.6	
213	050-C00400-3B	CAP NUT TYPE3 BLK M4	
214	050-H00800-0B	HEX NUT BLK M8	
215	000-T00408-0C	M SCR TH CRM M4×8	
216	068-441616-0C	FLT WSHR CRM 4.4-16×1.6	
301	DOC-60088	WIRE HARN SPEAKER M EXT	
302	DOC-60089	WIRE HARN FL SIDE M EXT	
303	DOC-60090	WIRE HARN SPEAKER M	
304	DOC-60091	WIRE HARN FL SIDE M	



⑬ AC UNIT (DOC-1090)

(D-2/2)

ITEM NO.	PART NO.	DESCRIPTION	NOTE
1	JBA-1031	AC BRKT	
2	DYN-0402	NOISE FILTER BASE	
3	421-8202	STICKER EARTH MARK	
4	421-7468-01	STICKER C.P W/PIC	
101	214-0202	AC INLET PANEL TYPE	
102	512-5046-15000	C.P 15000MA CE UL	AC 110~120V AREA
	512-5046-8000	C.P 8000MA CE UL	AC 220~240V AREA
103	450-5126	MAGNET CONTACT S-NIOCX	TAIWAN
	450-5134	MAGNET CONTACT S-NIOCX AC 230V	AC 220~240V AREA
	450-5135	MAGNET CONTACT S-NIOCX AC 120V	USA
104	509-5453-91-V-B	SW ROCKER J8 V-B	
105	270-5115	NOISE FILTER 15A GT-215J	
106	280-0417	TERMINAL BINDING POST BLACK	TAIWAN
		NOT USED	OTHERS
107	310-5029-K20	SUMITUBE F K 20MM	
108	280-5009-01	CORD CLAMP 21	
109	601-0460	PLASTIC TIE BELT 100MM	
201	000-P00416-WB	M SCR PH W/FS BLK M4×16	
202	012-P00408	TAP SCR #2 PH 4×8	
301	JBA-60001	WIRE HARN AC UNIT IN	
302	JBA-60002	WIRE HARN MAIN SW	
303	JBA-60003	WIRE HARN M.CONTACT & N.FILTER	
304	JBA-60004	WIRE HARN AC UNIT OUT	
305	JBA-60037	WIRE HARN EARTH INLET	
/	060-F00400	FLT WSHR M4	
/	060-S00400	SPR WSHR M4	
/	050-H00400	HEX NUT M4	

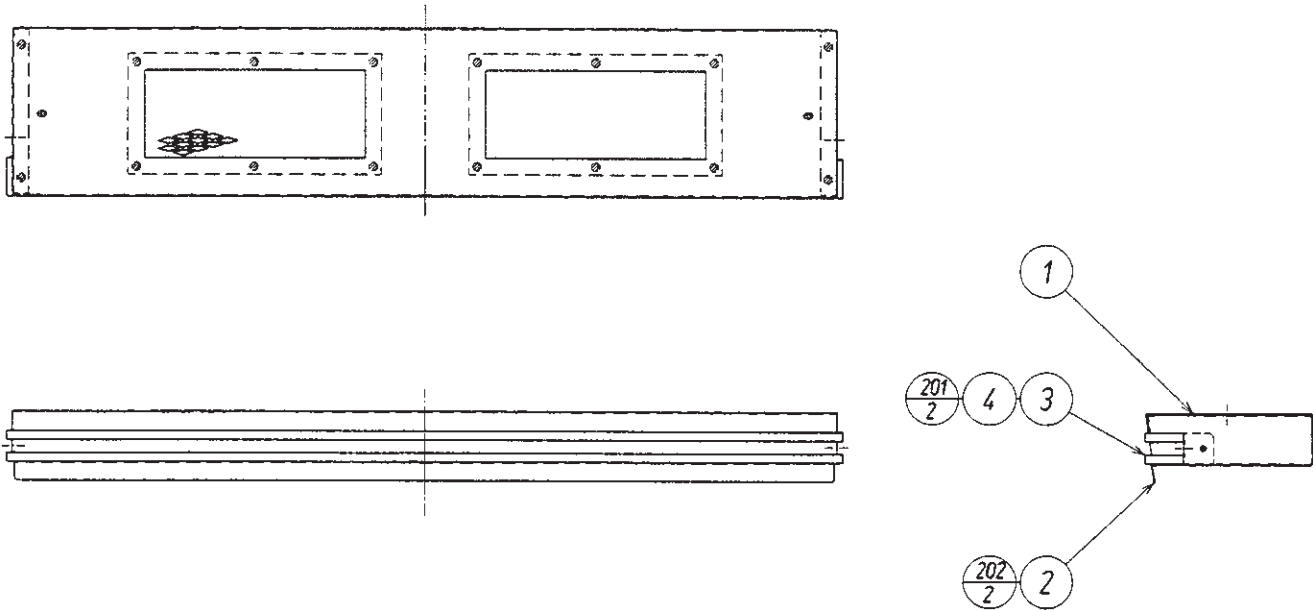


⑭ ASSY BILLBOARD CENTER (DOC-1100)

(D-2/2)

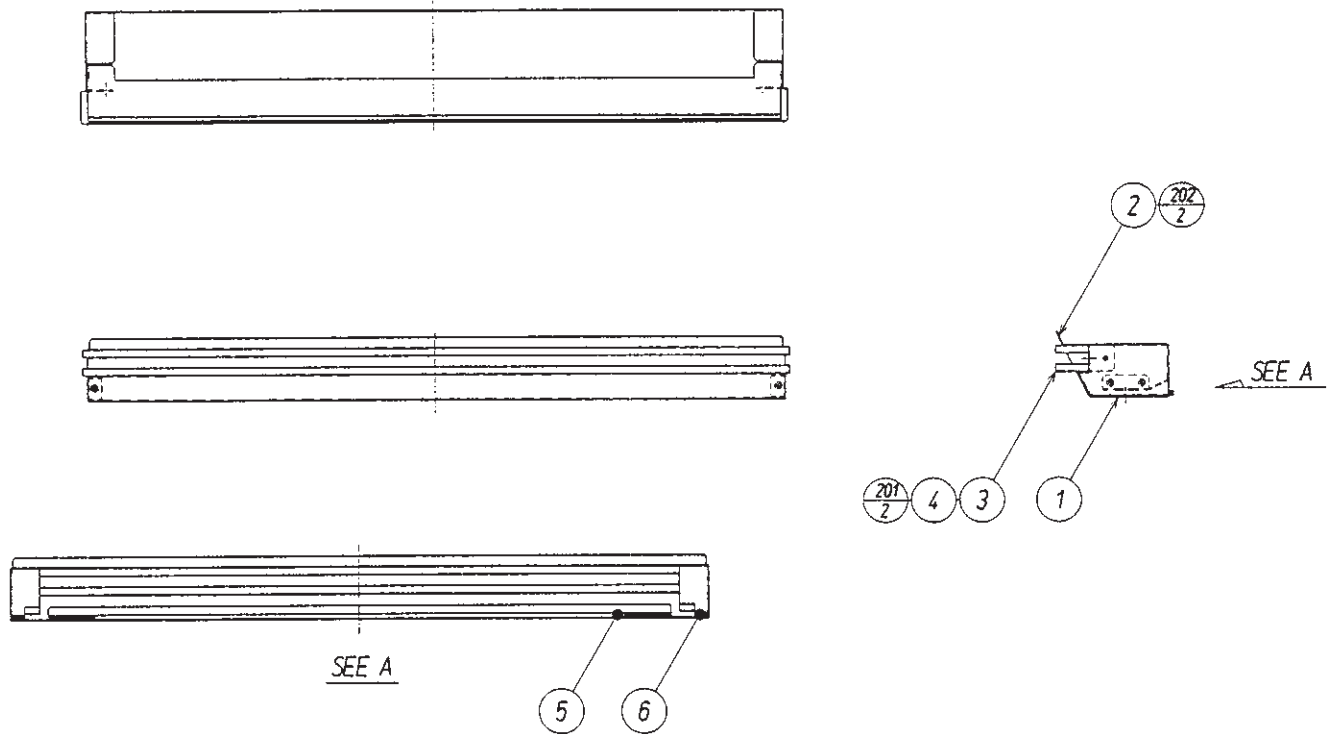
ITEM NO.	PART NO.	DESCRIPTION	NOTE
1	DOC-1101	BILLBOARD BASE	
2	DOC-1102-01	LOGO PLATE DOC WE	
3	DOC-1103	LOGO PLATE BRKT	
4	DOC-1104	LOGO PLATE HOLDER	
5	DOC-1105	LAMP COVER BRKT UPPER R	
6	DOC-1106	LAMP COVER BRKT UPPER L	
7	DOC-1107	LAMP COVER BRKT LOWER	
8	DOC-1108	BILLBOARD FIX BRKT A	
9	DOC-1109	BILLBOARD FIX BRKT B	
10	DOC-1110	ASSY LAMP COVER UPPER	
11	DOC-1120	ASSY LAMP COVER LOWER	
12	253-5457	FL HOLDER Locally supplied.	OTHERS USA
13	421-7501-17	STICKER FL 20W Locally supplied.	OTHERS USA
14	440-WS0012XEG	STICKER W HIGH TEMP ENG	
101	390-6659-20EX	ASSY FL20W EX W/CONN HIGH S CE Locally supplied.	OTHERS USA
103	280-5009-01	CORD CLAMP 21	
201	000-P00416-W	M SCR PH W/FS M4×16	
202	030-000820-SB	HEX BLT W/S BLK M8×20	
203	068-852216-0B	FLT WSHR BLK 8.5-22×1.6	
204	011-P00312	TAP SCR PH 3×12	
205	000-F00412-0B	M SCR FH BLK M4×12	
206	050-H00400-0B	HEX NUT BLK M4	
207	060-S00400-0B	SPR WSHR BLK M4	
208	060-F00400-0B	FLT WSHR BLK M4	
209	000-P00412-WB	M SCR PH W/FS BLK M4×12	
210	011-F00310	TAP SCR FH 3×10	
211	000-P00435-W	M SCR PH W/FS M4×35 Locally supplied.	OTHERS USA
301	DOC-60080	WIRE HARN LAMP M EXT 3	
302	DOC-60081	WIRE HARN FL M	

15 ASSY LAMP COVER UPPER (DOC-1110)



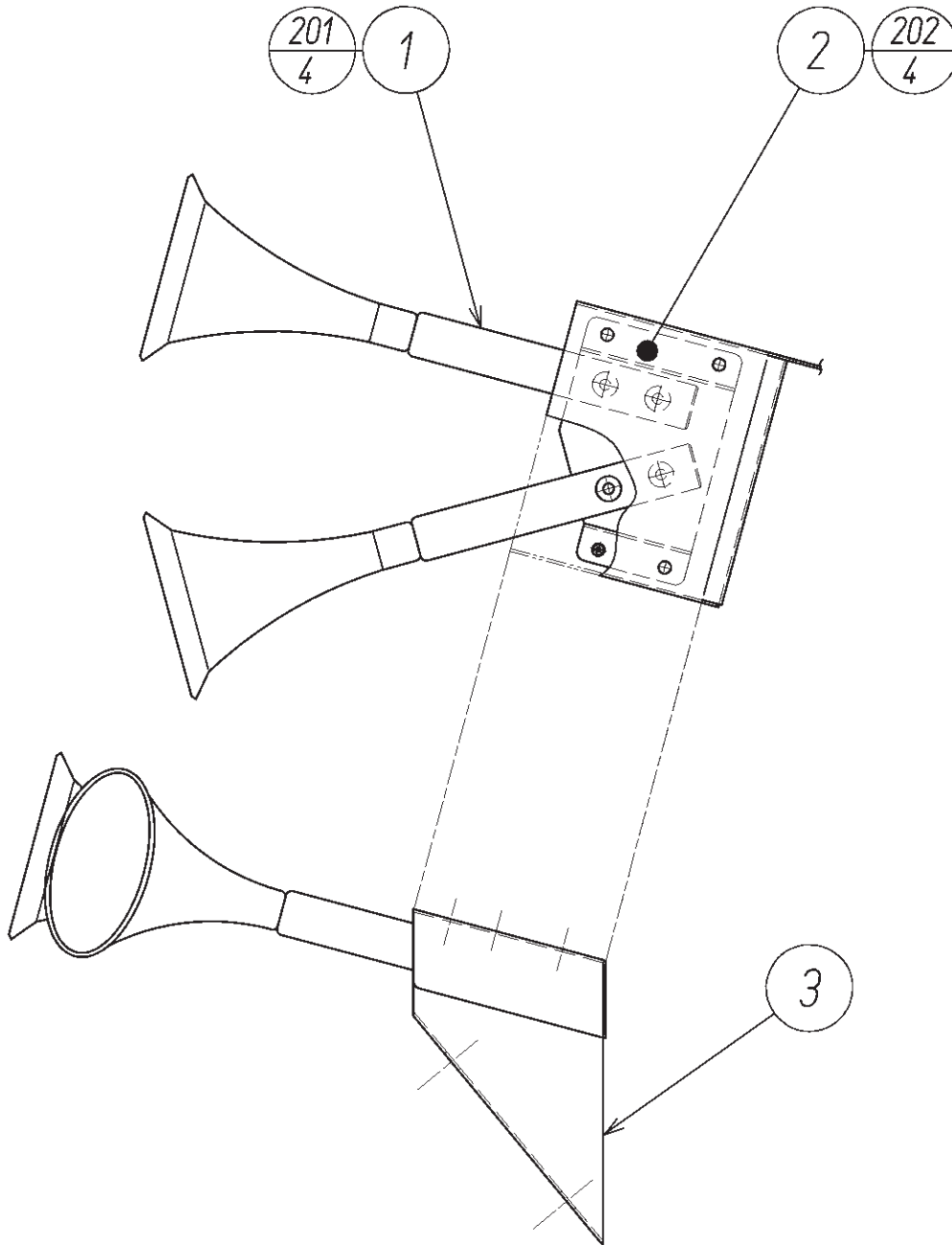
ITEM NO.	PART NO.	DESCRIPTION	NOTE
1	DOC-1111	BILLBOARD LAMP COVER UPPER	
2	DOC-1112X	LOGO BOARD EDGE BRKT UPPER	
3	DOC-1113	BILLBOARD EDGE LIGHT UPPER	
4	DOC-1114	COLOR FILM	
201	000-P00408-WB	M SCR PH W/FS BLK M4×8	
202	000-P00410-WB	M SCR PH BLK W/FS M4×10	

①⑥ ASSY LAMP COVER (DOC-1120)



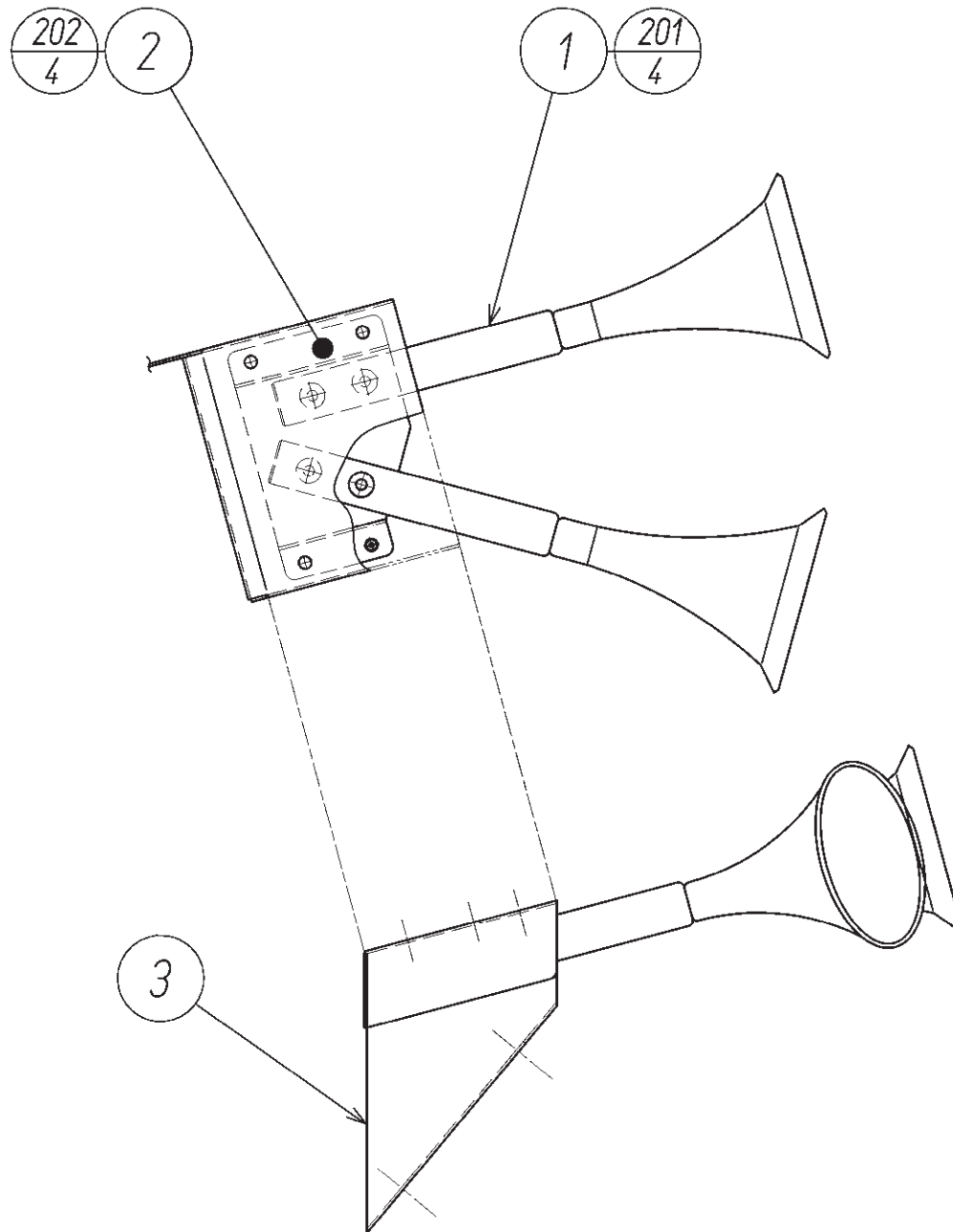
ITEM NO.	PART NO.	DESCRIPTION	NOTE
1	DOC-1121	BILLBOARD LAMP COVER LOWER	
2	DOC-1122X	LOGO BOARD EDGE BRKT LOWER	
3	DOC-1123	BILLBOARD EDGE LIGHT LOWER	
4	DOC-1114	COLOR FILM	
5	DOC-1124	LAMP COVER SPONGE 670	
6	DOC-1125	LAMP COVER SPONGE 15	
201	000-P00408-WB	M SCR PH W/FS BLK M4×8	
202	000-P00410-WB	M SCR PH BLK W/FS M4×10	

17 ASSY TRUMPET R (DOC-1130)



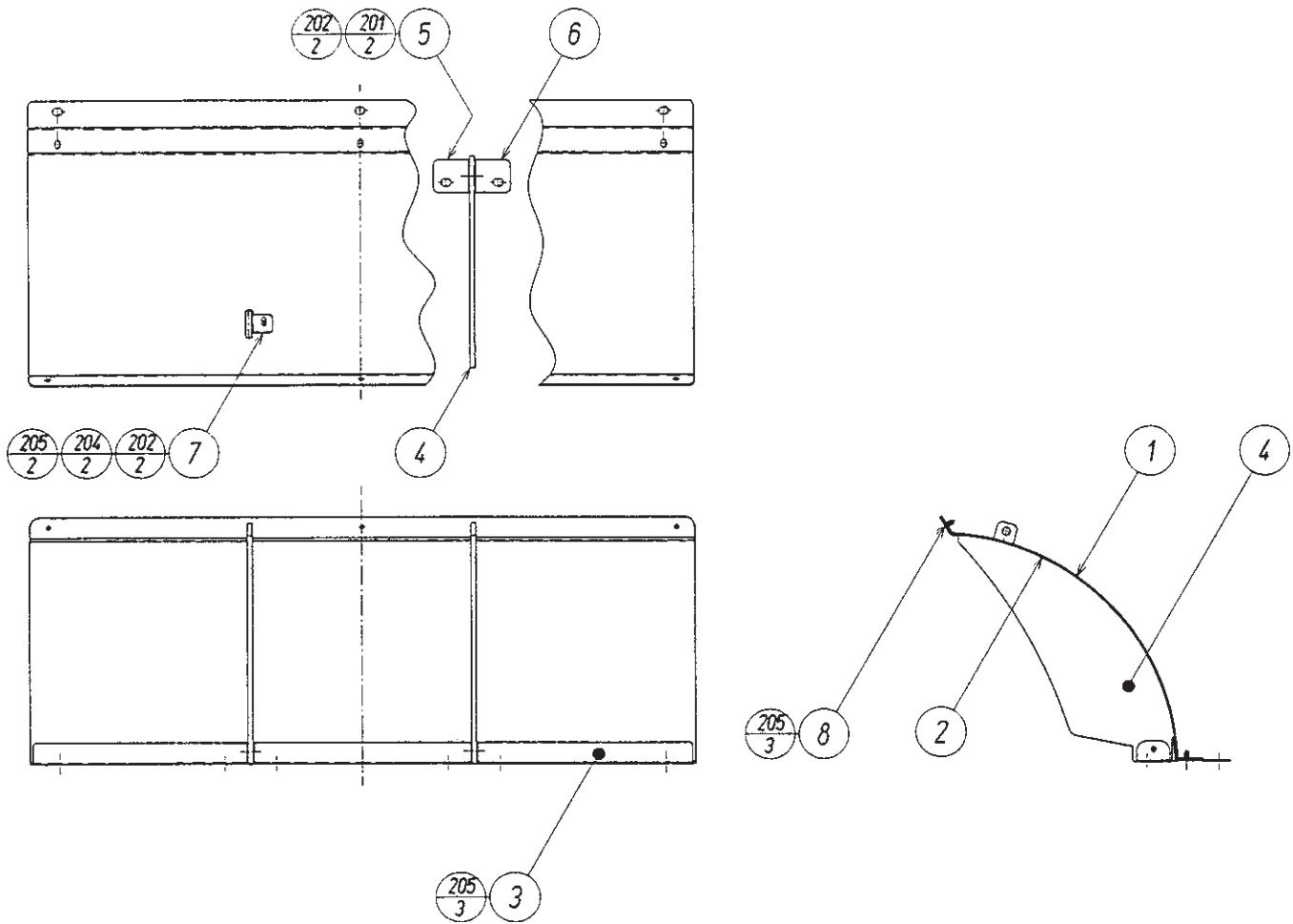
ITEM NO.	PART NO.	DESCRIPTION	NOTE
1	DOC-1131	TRUMPET	
2	DOC-1132	TRUMPET BRKT R	
3	DOC-1133	TRUMPET BRKT BASE R	
201	000-P00520-W	M SCR PH W/FS M5×20	
202	000-P00508-WB	M SCR PH W/FS BLK M5×8	

18 ASSY TRUMPET L (DOC-1135)



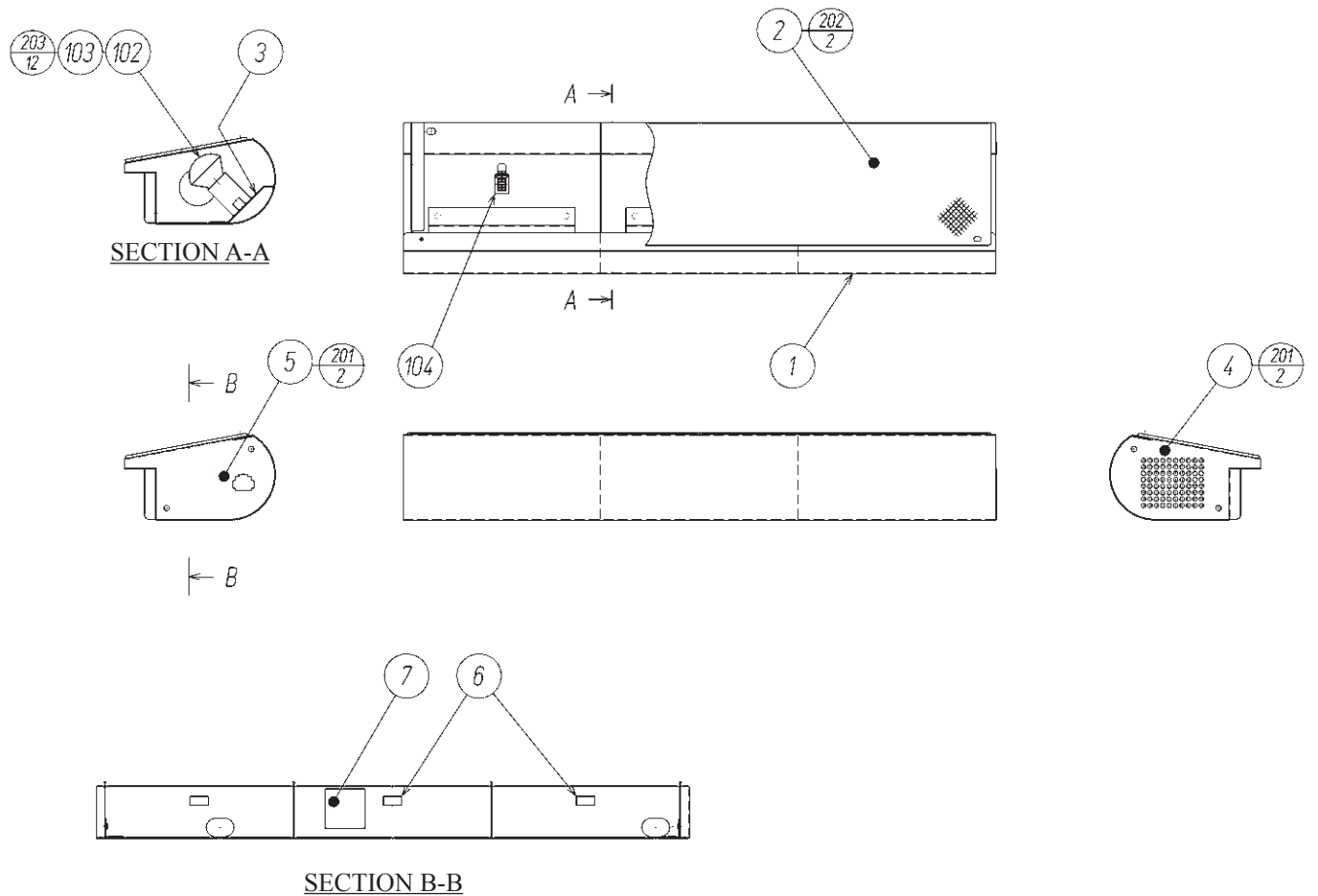
ITEM NO.	PART NO.	DESCRIPTION	NOTE
1	DOC-1131	TRUMPET	
2	DOC-1137	TRUMPET BRKT L	
3	DOC-1138	TRUMPET BRKT BASE L	
201	000-P00520-W	M SCR PH W/FS M5×20	
202	000-P00508-WB	M SCR PH W/FS BLK M5×8	

19 ASSY MIRROR (DOC-1155)



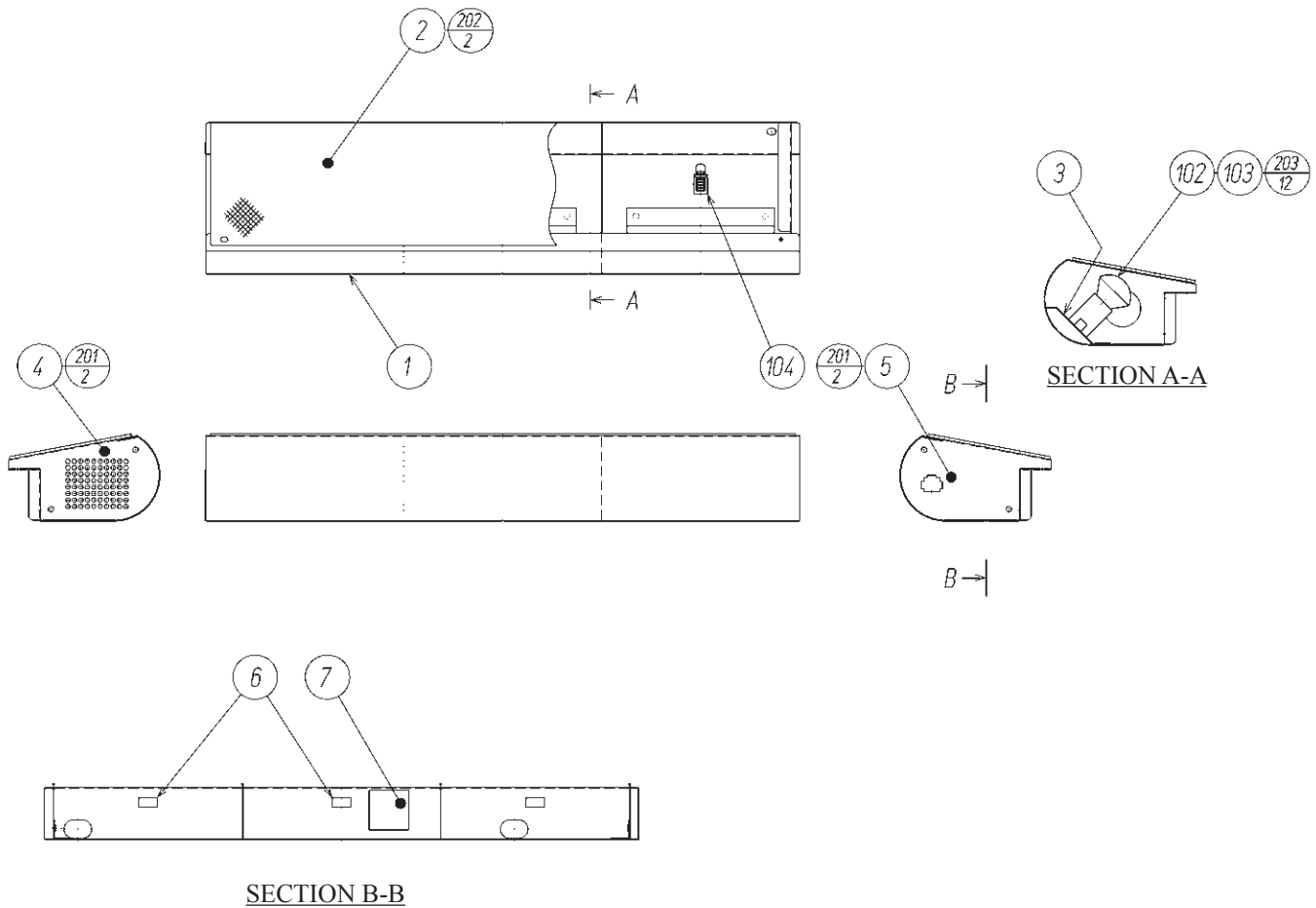
ITEM NO.	PART NO.	DESCRIPTION	NOTE
1	DOC-1142	MIRROR BASE	
2	DOC-1143	MIRROR	
3	DOC-1144	MIRROR HOLDER	
4	DOC-1145	PARTITION	
5	DOC-1146	PARTITION HOLDER A	
6	DOC-1147	PARTITION HOLDER B	
7	DOC-1148	PARTITION HOLDER TOP	
8	DOC-1149	MIRROR HOLDER UPPER	
201	050-C00400-3B	CAP NUT TYPE3 BLK M4	
202	000-P00412-WB	M SCR PH W/FS BLK M4×12	
204	068-441616-0B	FLT WSHR BLK 4.4-16×1.6	
205	050-F00400	FLG NUT M4	

20 BILLBOARD LAMP UNIT R (DOC-1160)

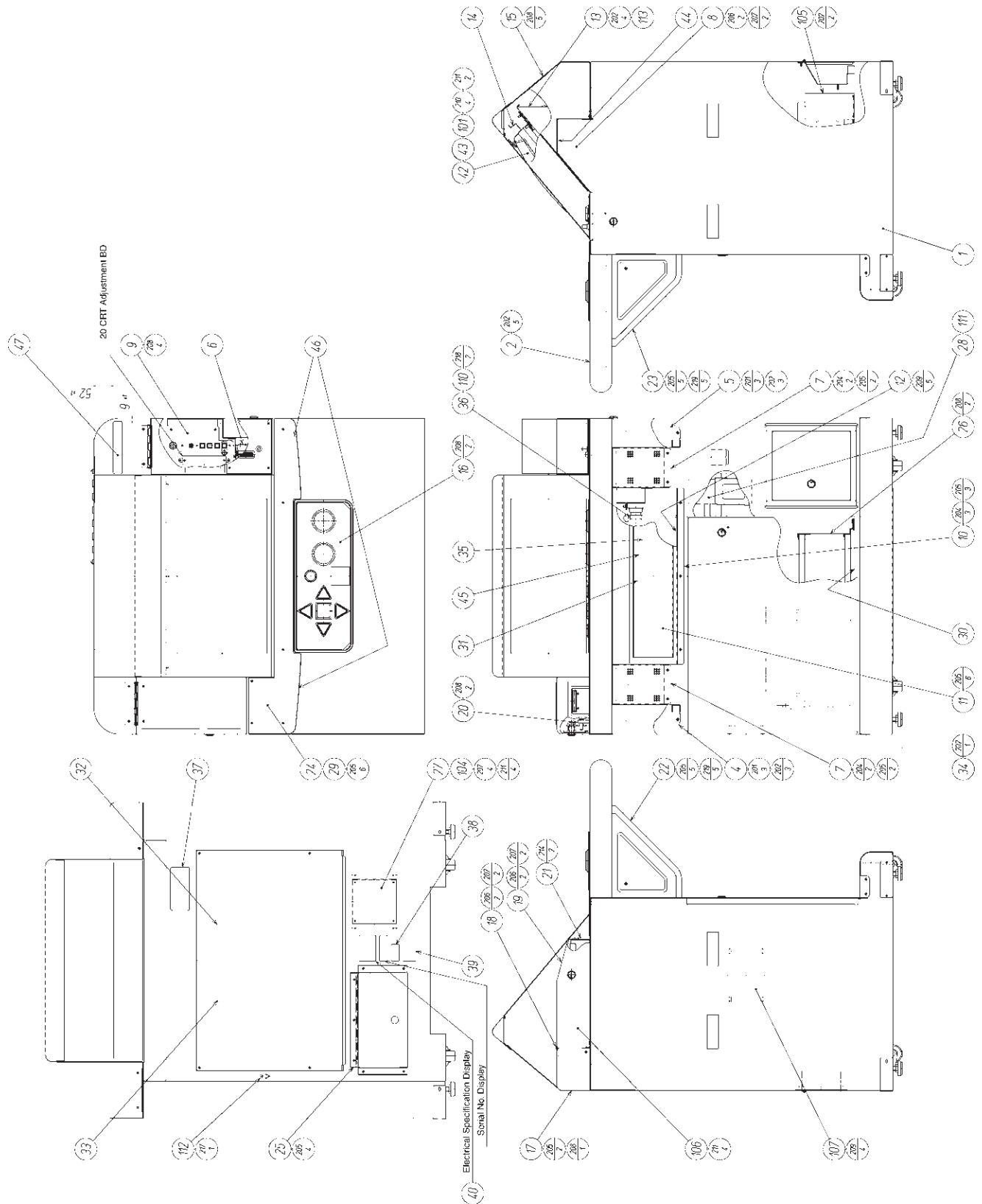


ITEM NO.	PART NO.	DESCRIPTION	NOTE
1	DOC-1161	LAMP UNIT BASE R	
2	DOC-1162	LAMP UNIT COVER	
3	DOC-1163	INSULATOR PAPER	
4	DOC-1164	LAMP UNIT R SIDE COVER A	
5	DOC-1165	LAMP UNIT R SIDE COVER B	
6	421-7501-08	STICKER 110V 15W	
7	440-WS0141-EG	STICKER W HIGH TEMP S ENG	
102	214-0110	BULB SKT (ES-T250-E17)	
103	390-5761	LAMP 110V 15W	
104	280-5009-01	CORD CLAMP 21	
201	000-T00408-0B	M SCR TH BLK M4×8	
202	000-T00408-0C	M SCR TH CRM M4×8	
203	000-P00312	M SCR PH M3×12	
301	DOC-60082	WIRE HARN LAMP R M	

21 BILLBOARD LAMP UNIT L (DOC-1170)

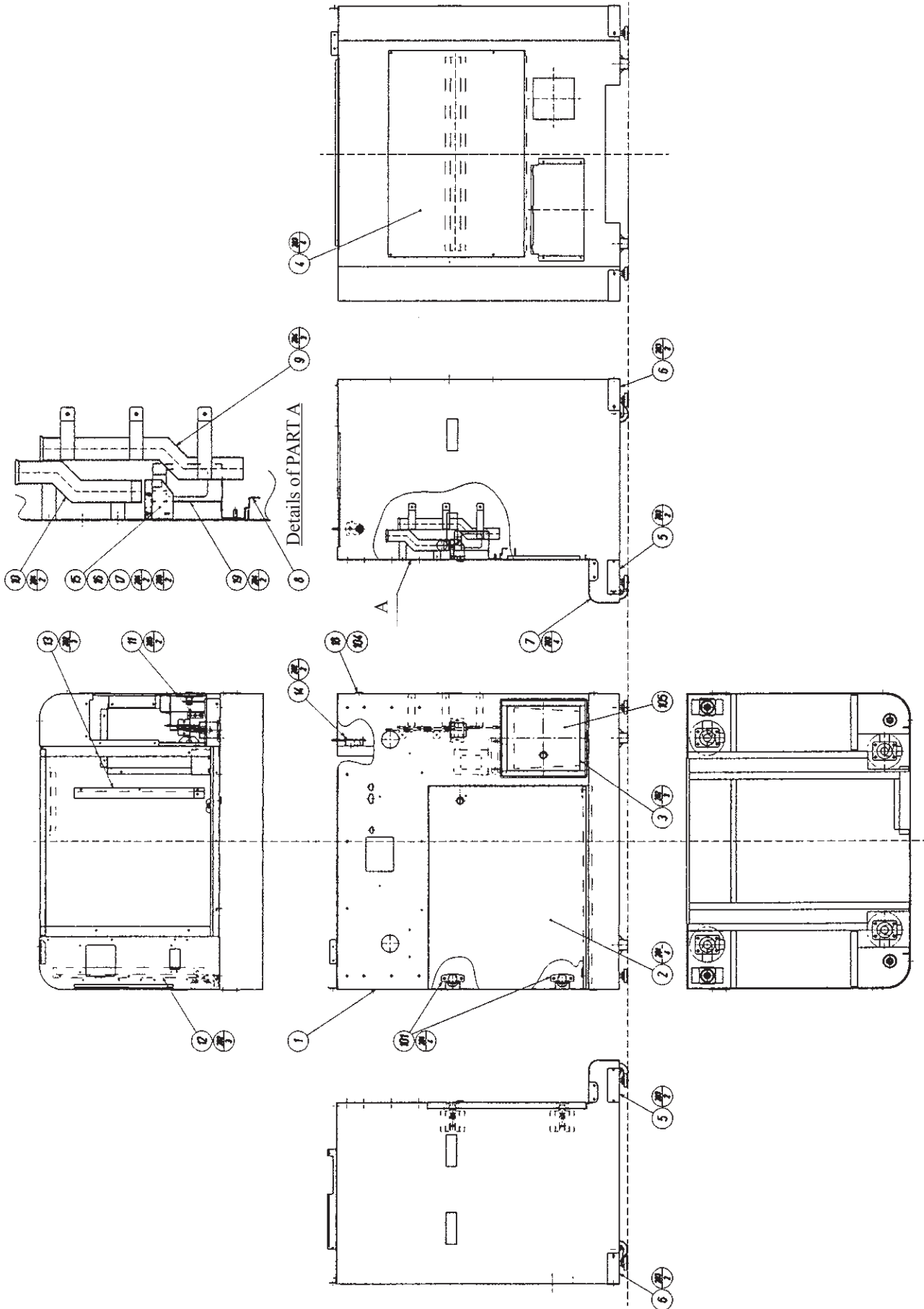


ITEM NO.	PART NO.	DESCRIPTION	NOTE
1	DOC-1171	LAMP UNIT BASE L	
2	DOC-1162	LAMP UNIT COVER	
3	DOC-1163	INSULATOR PAPER	
4	DOC-1174	LAMP UNIT L SIDE COVER A	
5	DOC-1175	LAMP UNIT L SIDE COVER B	
6	421-7501-08	STICKER 110V 15W	
7	440-WS0141-EG	STICKER W HIGH TEMP S ENG	
102	214-0110	BULB SKT (ES-T250-E17)	
103	390-5761	LAMP 110V 15W	
104	280-5009-01	CORD CLAMP 21	
201	000-T00408-0B	M SCR TH BLK M4×8	
202	000-T00408-0C	M SCR TH CRM M4×8	
203	000-P00312	M SCR PH M3×12	
301	DOC-60083	WIRE HARN LAMP L M	



ITEM NO.	PART NO.	DESCRIPTION	NOTE
1	DOC-1201	ASSY SUBCABI SATELLITE	
2	DOC-1290	ASSY ARM REST	
4	DOC-1226Y	ARM REST SUPPORT L	
5	DOC-1227Y	ARM REST SUPPORT R	
6	DOC-1228	ASSY SELECTOR	
7	DOC-1231	ASSY SPEAKER	
8	DOC-1234	ASSY SERVICE DOOR	
9	DOC-1240	ASSY SERVICE SW	
10	DOC-1242X	FL COVER	
11	DOC-1243	FRONT COVER	
12	DOC-1244	LOWER COVER	
13	DOC-1245X	MONITOR BASE	
14	DOC-1246	WATER PROOF COVER	
15	DOC-1247	ASSY MONITOR COVER	
16	DOC-1255	ASSY CONTROL PANEL	
17	DOC-1261X	BACK COVER	
18	DOC-1262	RW COVER HINGE	
19	DOC-1263	ASSY RW COVER	
20	DOC-1267X	LOCK BRKT L	
21	DOC-1328	CARD GUIDE	
22	DOC-1269	SIDE COVER L	
23	DOC-1270	SIDE COVER R	
24	DOC-1271X	ARM REST GUIDE	
25	DOC-1272	AC UNIT	TAIWAN
	DOC-1272-01	AC UNIT 110V-120V	USA
	DOC-1272-02	AC UNIT 220V-240V	AC 220□240V AREA
26	DOC-4300	ASSY ELEC	
27	HN-1042X	FAN BRKT	
28	253-5426	WATER BOTTLE 500CC	
29	DOC-1277-01	DESIGN SHEET DOC ENG	
30	440-WS0165-EG	STICKER W BD POWER OFF S ENG	
31	440-WS0178-EG	STICKER W LAMP ENG	
32	440-WS0002XEG	STICKER W POWER OFF ENG	
33	440-DS0013XEG	STICKER D MONITOR ENG	
34	109-0045-91	KEY HOLDER	
35	440-WS0012XEG	STICKER W HIGH TEMP ENG	
36	253-5457	FL HOLDER	OTHERS
		Locally supplied.	USA
41	421-11212	STICKER CARTRIDGE	
42	DOC-1287	BUSHING DOC	
43	DOC-1288	SPACER	
44	440-CS0157-EG	STICKER C CONT ENG	
45	421-7501-15	STICKER FL 10W	OTHERS
		Locally supplied.	USA
46	DOC-1292	CUSSION RUBBER D	
47	DOC-1293	DOOR GUIDE PLATE	

ITEM NO.	PART NO.	DESCRIPTION	NOTE
101	200-5923	CRT 20 TOEI 31K	
104	260-0011-02	AXIAL FLOW FAN AC100V 50-60Hz	
105	560-5433-V	XFMR 100V-120V 100V 5A WB	AC 110~120V AREA
	560-5462-V	XFMR 220V-240V 100V 5A WB	AC 220~240V AREA
106	601-11082	CARD R/W UNIT CRP-1231BR-10	
107	838-13661	RS422/RS232C BD DOC	
110	390-6659-10SD	ASSY FL10W SD W/CONN HIGH S CE Locally supplied.	OTHERS USA
111	601-7278-500	WATER TUBE 10 L=500	
112	601-10880	CHAIN LATCH	
113	601-6231-D090	EDGING NEW TYPE L=90	
201	000-P00525-W	M SCR PH W/FS M5×25	
202	000-P00512-W	M SCR PH W/FS M5×12	
203	000-F00425	M SCR FH M4×25	
204	000-T00425-0C	M SCR TH CRM M4×25	
205	000-T00412-0C	M SCR TH CRM M4×12	
206	031-000410-0C	CRG BLT CRM M4×10	
207	050-F00400	FLG NUT M4	
208	000-P00412-W	M SCR PH W/FS M4×12	
209	050-F00300	FLG NUT M3	
210	050-F00500	FLG NUT M5	
211	000-P00310-W	M SCR PH W/FS M3×10	
214	FAS-000065	M SCR FH BLK M2.6×8	
216	068-552016	FLT WSHR 5.5-20×1.6	
217	000-P00310-WB	M SCR PH W/FS BLK M3×10	
218	000-P00430-W	M SCR PH W/FS M4×30 Locally supplied.	OTHERS USA
219	068-441616-0C	FLT WSHR CRM 4.4-16×1.6	
302	DOC-60012	WIRE HARN +5V 422	
303	DOC-60013	WIRE HARN 422	
309	DOC-60021	WIRE HARN CARD DC	
310	DOC-60022	WIRE HARN CARD 232	
315	DOC-60027	WIRE HARN FAN MOTOR	
316	600-6972-0150	WIRE HARN EARTH ID5 0150MM	
317	DOC-6001	ASSY WIRE SATELLITE	
/	280-5275-SR10	CORD CLAMP SR10	
/	DOC-60203	WH EXT COIN EXP	
/	DOC-1503	STICKER SIDE L DOC WE	
/	DOC-1504	STICKER SIDE R DOC WE	
/	000-P00408	M SCR PH M4×8	
/	060-F00400	FLT WSHR M4	
/	060-S00400	SPR WSHR M4	



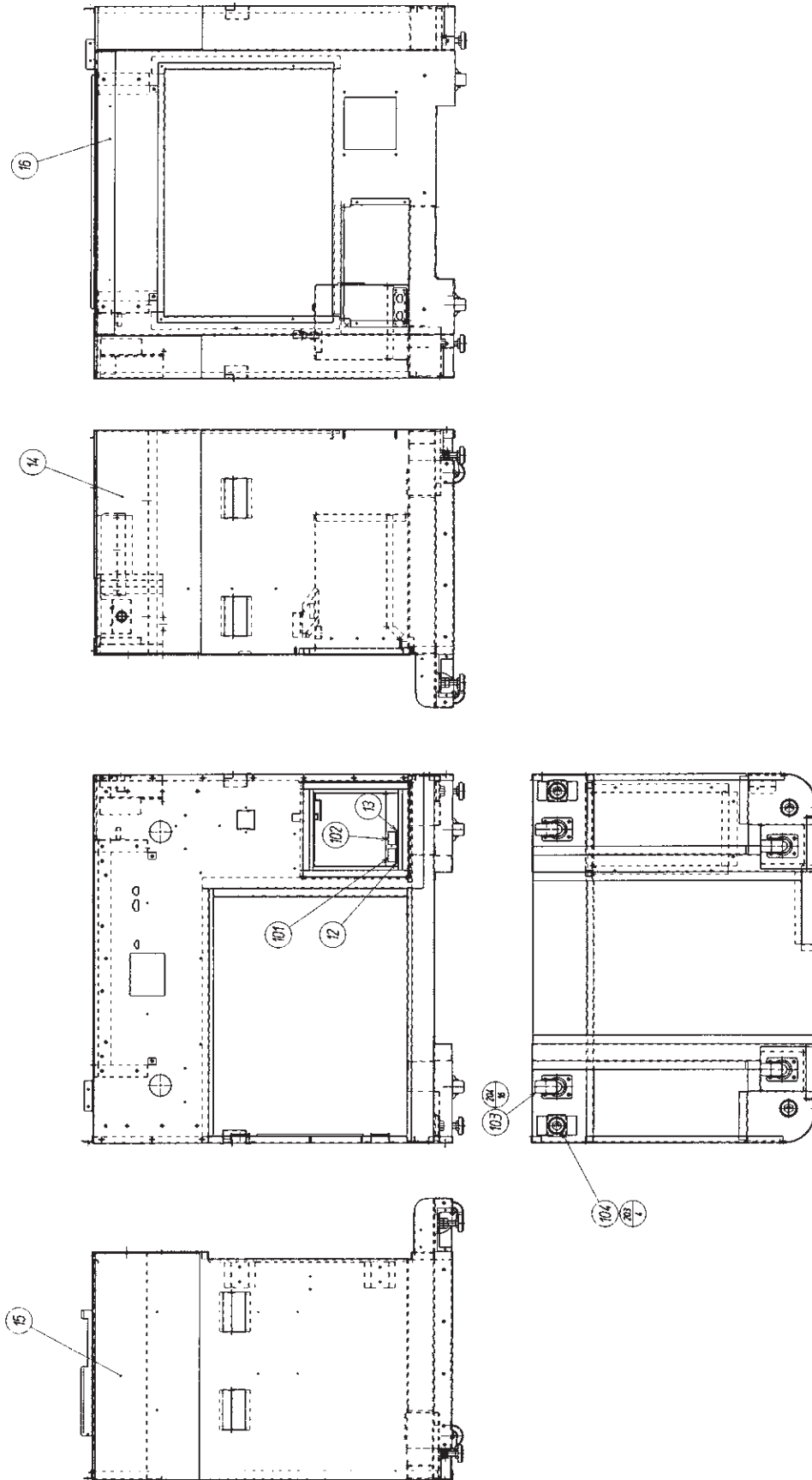
23 ASSY SUBCABI SATELLITE (DOC-1201)

(D-2/2)

ITEM NO.	PART NO.	DESCRIPTION	NOTE
1	DOC-1202X	STEEL CABINET	
2	DOC-1203	ASSY FRONT DOOR	
3	DOC-1207	ASSY CASHBOX DOOR	
4	DOC-1209X	BACK DOOR	
5	DOC-1210	LEG COVER FRONT	
6	DOC-1211	LEG COVER REAR	
7	DOC-1212	FOOT REST	
8	DOC-1281	CASHBOX SUPPORT BRKT	
9	DOC-1214	COIN CHUTE	
10	DOC-1215-01	REJECT CHUTE WE	
11	DOC-1216	SELECTOR UNIT GUIDE	
12	DOC-1217	ELEC UNIT GUIDE L	
13	DOC-1218	ELEC UNIT GUIDE R	
14	DOC-1219	ASSY OPENER	
15	DOC-1223	REJECT CUP	
16	HOT-1271	REJECT COVER	
17	HOT-1272	FLAP	
18	TH-1015	LOCKING TONGUE	
19	DOC-1276X	WATER BOTTLE GUIDE BRKT	
101	280-5051	REAR HINGE (510-234/18)	
104	220-5575	CAM LOCK MASTER W/O KEY	
105	253-5417	CASH BOX	
106	280-5009-01	CORD CLAMP 21	
107	280-5275-SR10	CORD CLAMP SR10	
108	601-6231-C135	EDGING NEW TYPE	
201	000-P00310-W	M SCR PH W/FS M3×10	
202	000-P00412-W	M SCR PH W/FS M4×12	
203	000-T00412-0C	M SCR TH CRM M4×12	
204	050-F00400	FLG NUT M4	
205	000-F00425	M SCR FH M4×25	
206	000-P00306-W	M SCR PH W/FS M3×6	
209	000-P00410-S	M SCR PH W/S M4×10	
/	DOC-1480	METER LID	
/	010-P00308-F	S-TITE SCR PH W/F M3×8	
/	421-9168-01	STICKER COIN METER	

24 STEEL CABINET (DOC-1202X)

(D-1/2)

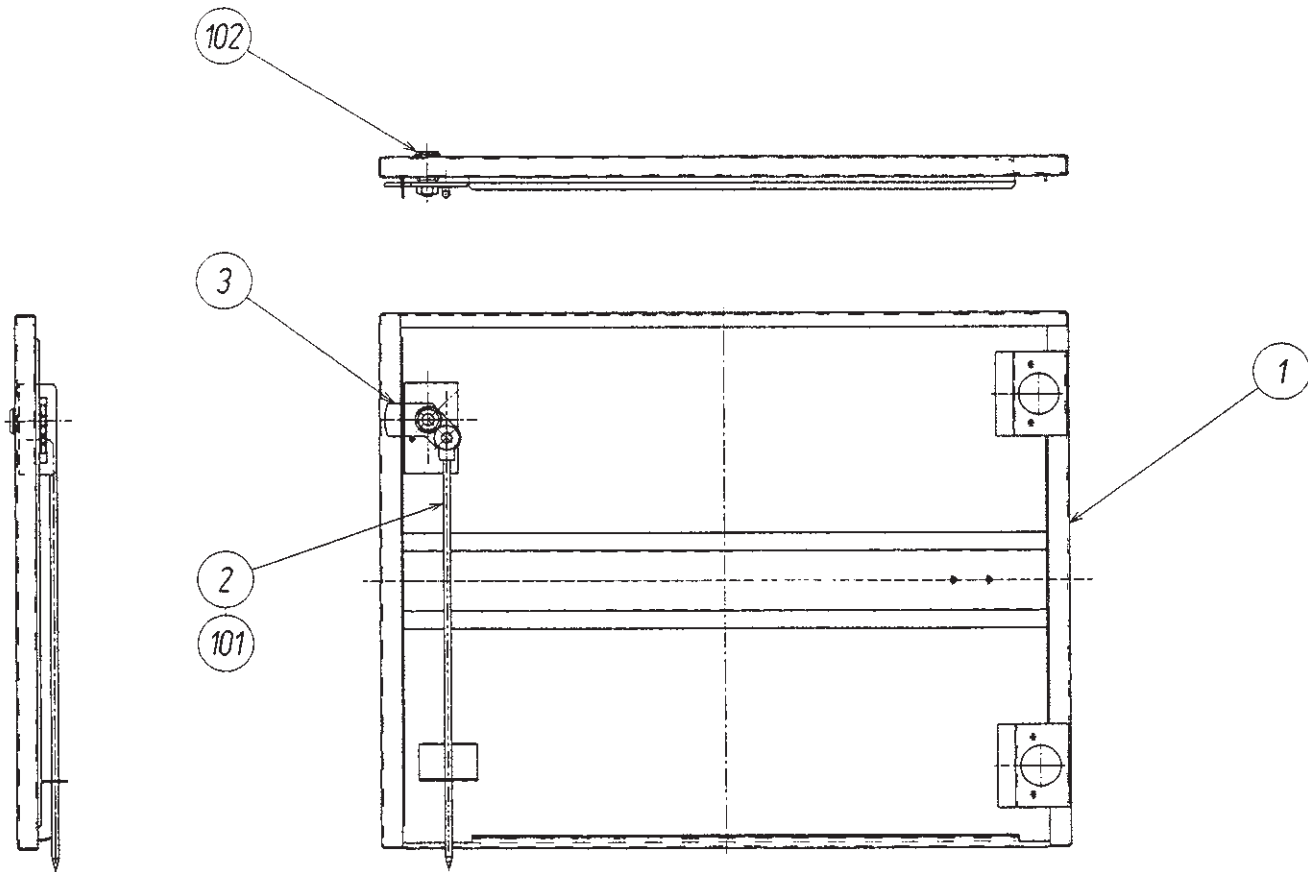


24 STEEL CABINET (DOC-1202X)

(D-2/2)

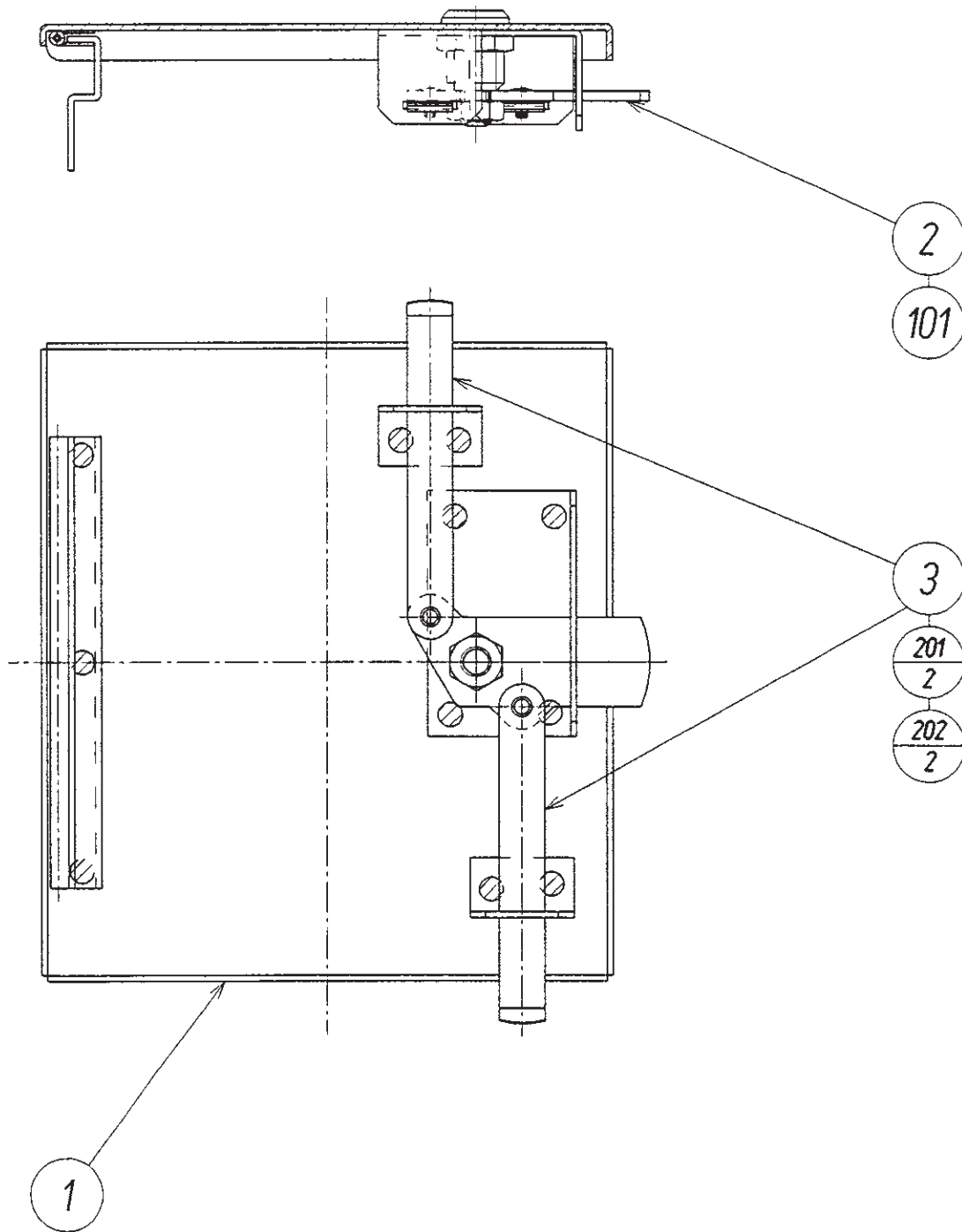
ITEM NO.	PART NO.	DESCRIPTION	NOTE
12	421-6591-16	STICKER COIN METER ¥100	
13	421-6591-29	STICKER COIN METER ¥500	
14	DOC-1202-A	STICKER SIDE R	
15	DOC-1202-B	STICKER SIDE L	
16	DOC-1202-C	STICKER REAR	
101	220-5643-01	MAG CNTR DC5V W/CONN 6P WH	
102	220-5643-02	MAG CNTR DC5V W/CONN 6P YE	
103	601-6056-01	CASTER 50 PH	
104	601-10836	LEG ADJUSTER MKRL M12 H72	
203	050-H01200	HEX NUT M12	
204	000-P00516-W	M SCR PH W/FS M5×16	

25 ASSY FRONT DOOR (DOC-1203)



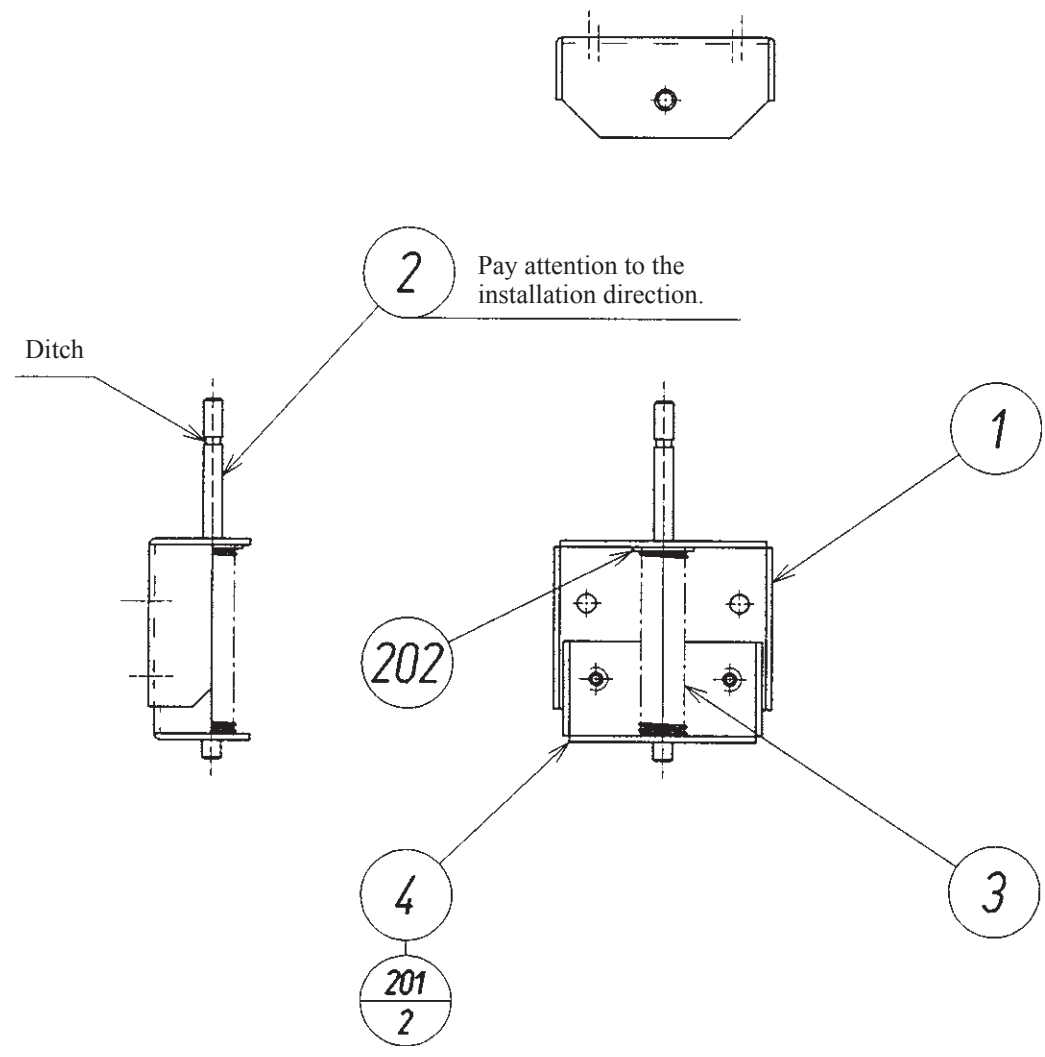
ITEM NO.	PART NO.	DESCRIPTION	NOTE
1	DOC-1204XY	FRONT DOOR	
2	DOC-1206X	ROD	
3	WYS-1220	TNG LKG	
101	601-9659	ROD HOLDER	
102	220-5575	CAP LOCK MASTER W/O KEY	

②⑥ ASSY CASHBOX DOOR (DOC-1207)



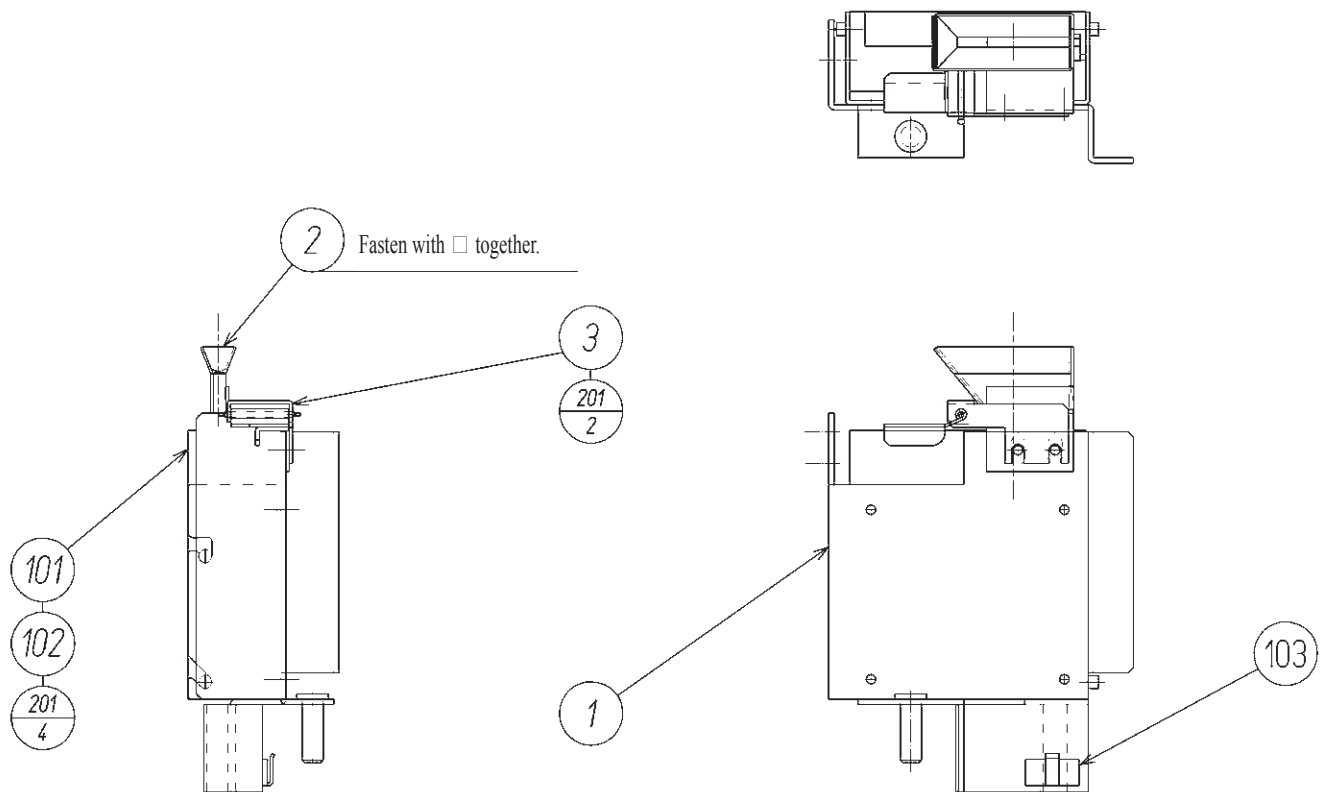
ITEM NO.	PART NO.	DESCRIPTION	NOTE
1	DOC-1208	CASHBOX DOOR	
2	HOT-1203X	CENTER TNG	
3	ARM-1504	SIDE TNG	
101	220-5574	CAM LOCK W/KEYS	
201	065-E00300	E RING 3MM	
202	060-F00400	FLT WSHR M4	

27 ASSY OPENER (DOC-1219)



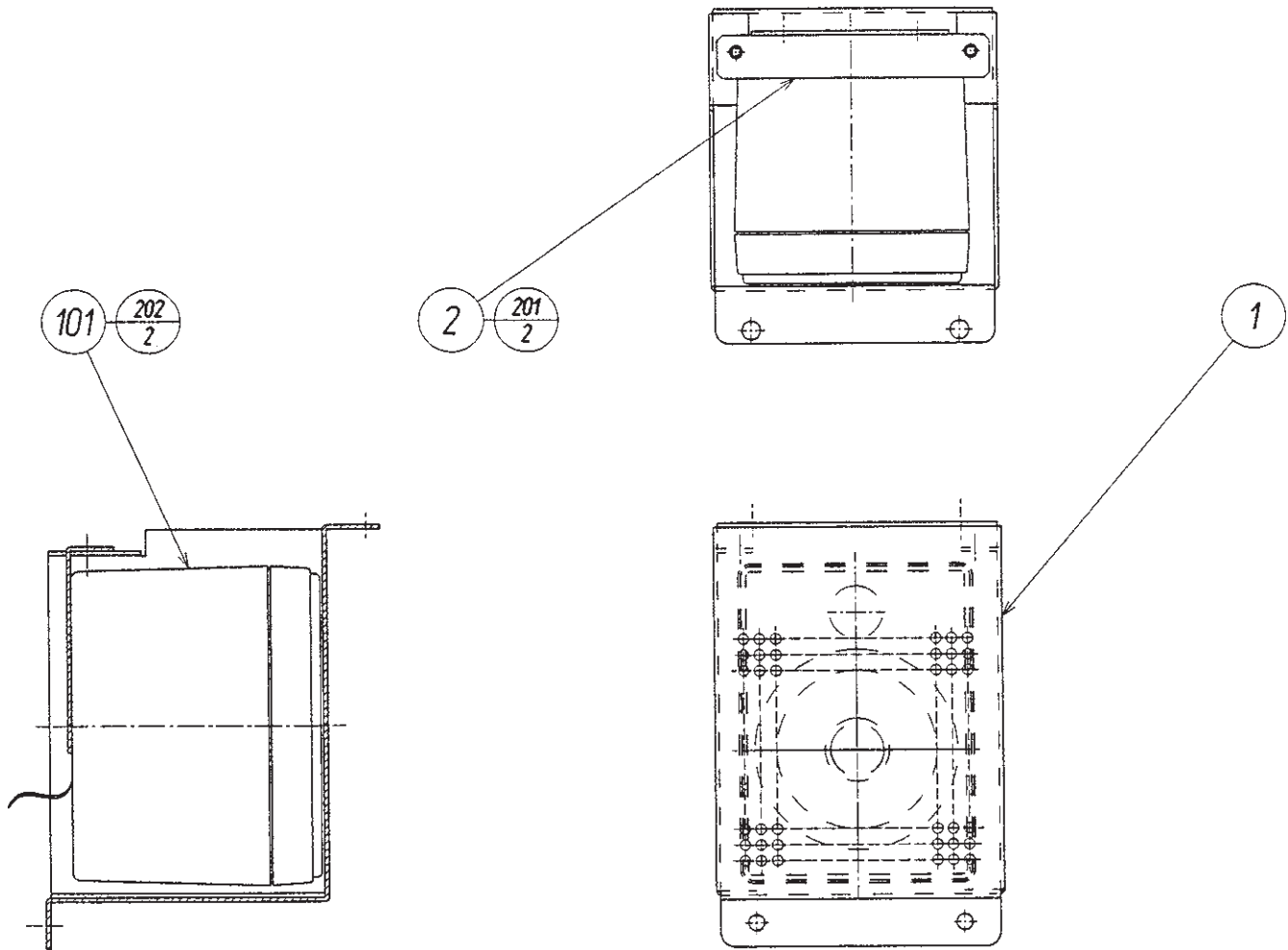
ITEM NO.	PART NO.	DESCRIPTION	NOTE
1	DOC-1282	OPENER BRKT UPPER	
2	DOC-1284	OPENER SHAFT	
3	DOC-1222	COMP SPRING	
4	DOC-1283	OPENER BRKT LOWER	
201	000-F00308	M SCR FH M3×8	
202	068-552016	FLT WSHR 5.5-20×1.6	

28 ASSY SELECTOR (DOC-1228)



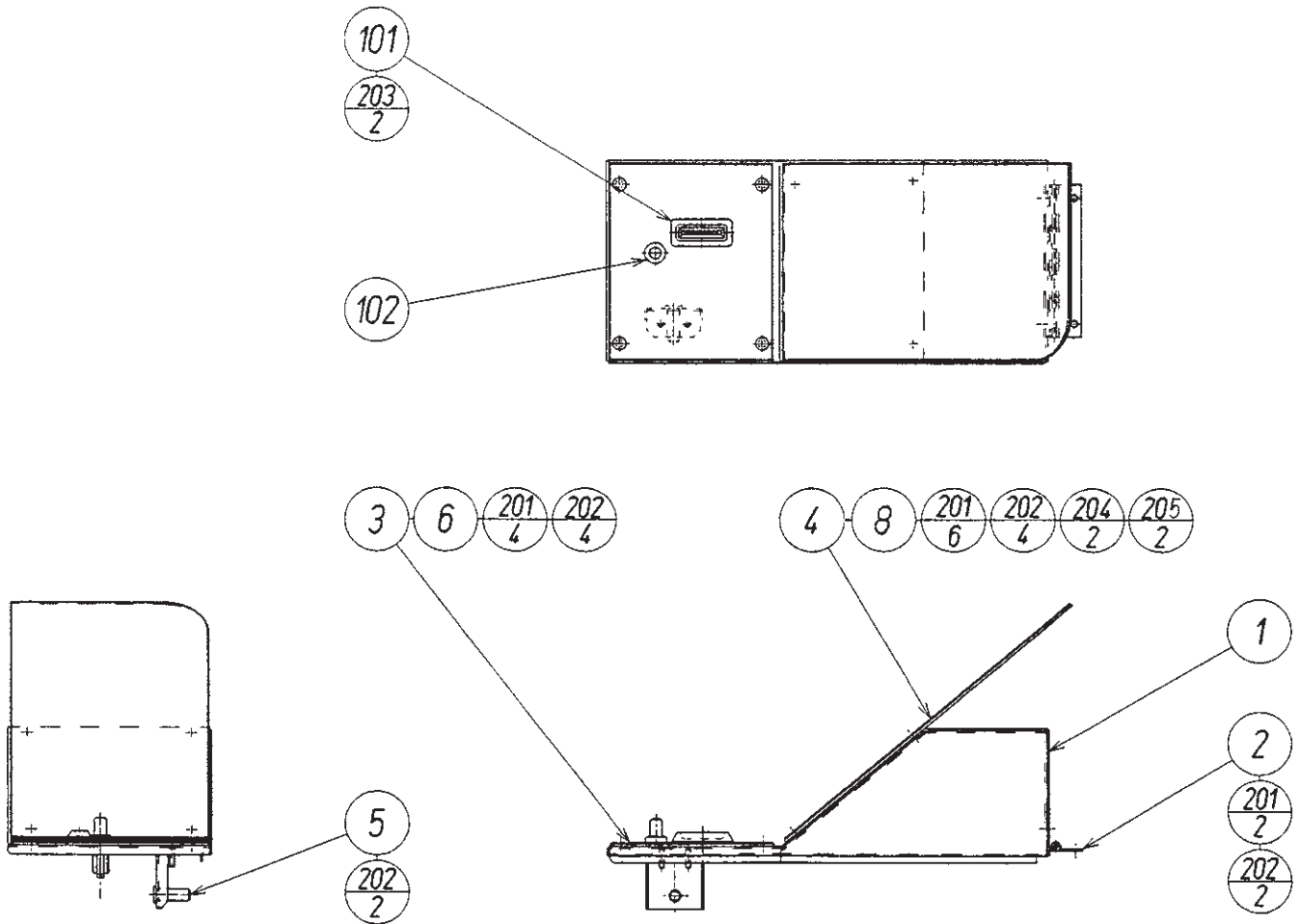
ITEM NO.	PART NO.	DESCRIPTION	NOTE
1	DOC-1229-01	SELECTOR BRKT WE	
2	DOC-1230	UPPER COIN CHUTE	
3	DOC-1280-01	ASSY REJECT BRKT WE	
101	220-5595	COIN CHUTE BRKT 25C	HONG KONG,USA
	220-5086	COIN CHUTE BRACKET (AD-81PCB)	SINGAPORE
102	220-5208-105	COIN CHUTE REJR HONG KONG \$10	HONG KONG
	220-5208-05	COIN CHUTE REJ 25 AD-81P	USA
	220-5208-96	COIN CHUTE REJR SINGAPORE \$1	SINGAPORE
103	280-5275-SR10	CORD CLAMP SR10	
201	010-P00408-F	S-TITE SCR PH W/F M4×8	

29 ASSY SPEAKER (DOC-1231)



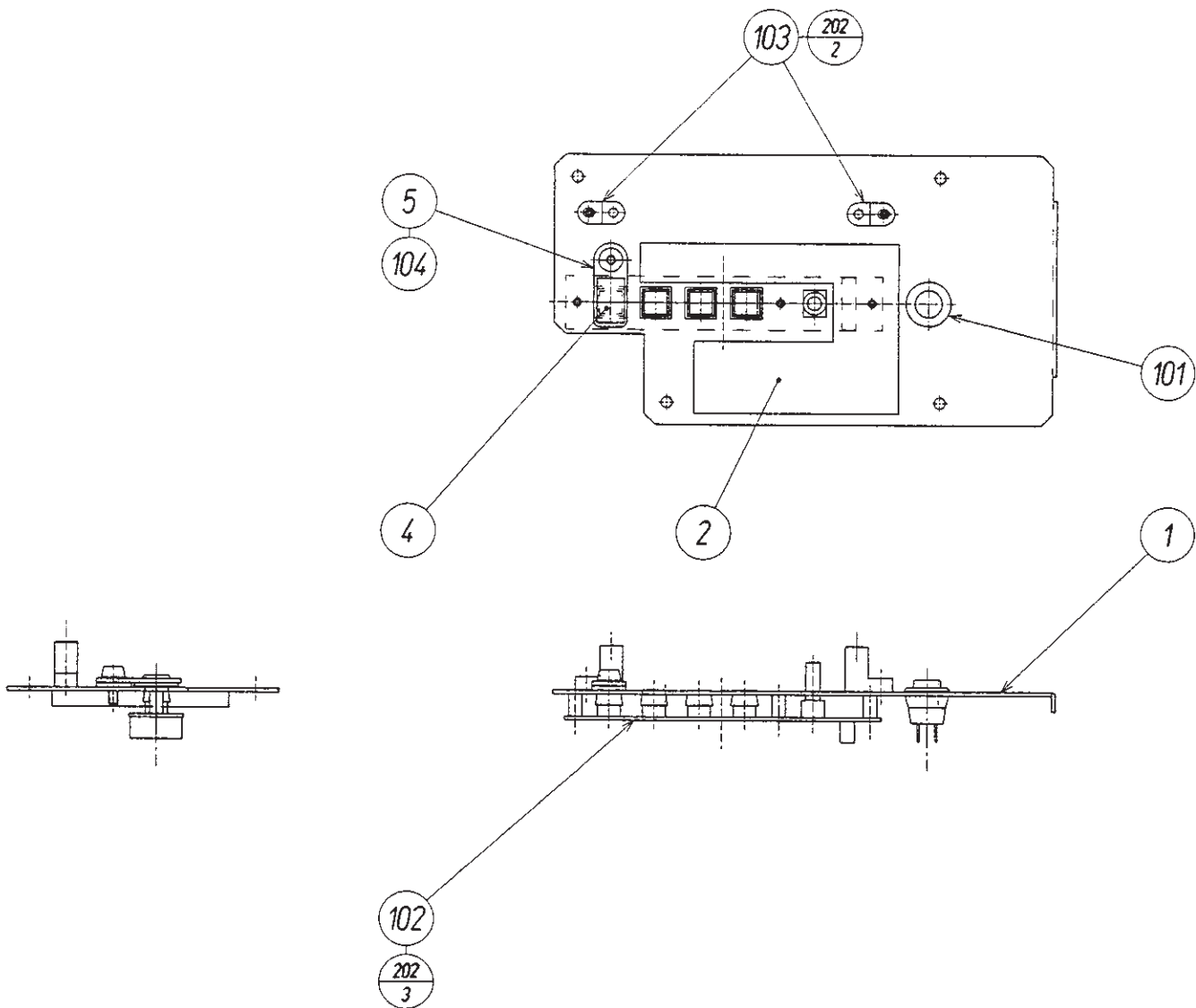
ITEM NO.	PART NO.	DESCRIPTION	NOTE
1	DOC-1232	SPEAKER BOX	
2	DOC-1233	SPEAKER BRKT	
101	130-5124	SPEAKER MINI BOX 4OHM 10W	
201	000-P00408-W	M SCR PH W/FS M4×8	
202	000-P00512-W	M SCR PH W/FS M5×12	

30 ASSY SERVICE DOOR (DOC-1234)



ITEM NO.	PART NO.	DESCRIPTION	NOTE
1	DOC-1235Z	SERVICE DOOR	
2	DOC-1236	SERVICE DOOR HINGE	
3	DOC-1237-01	DENOMI PLATE DOC ENG	
4	DOC-1238-01	INSTR PLATE DOC ENG	
5	DOC-1239	LOCK BRKT	
6	421-11204-~	STICKER DENOMI DOC WE ~	
8	DOC-1329	INSTR HOLDER	
101	220-5167-~	COIN ENTRY ~	
102	250-5043	REJECT BUTTON ASSEMBLY	
201	031-000410-0C	CRG BLT CRM M4×10	
202	050-F00400	FLG NUT M4	
203	000-P00308	M SCR PH M3×8	
204	050-C00400-3C	CAP NUT TYPE3 CRM M4	
205	068-441616-0C	FLT WSHR CRM 4.4-16×1.6	

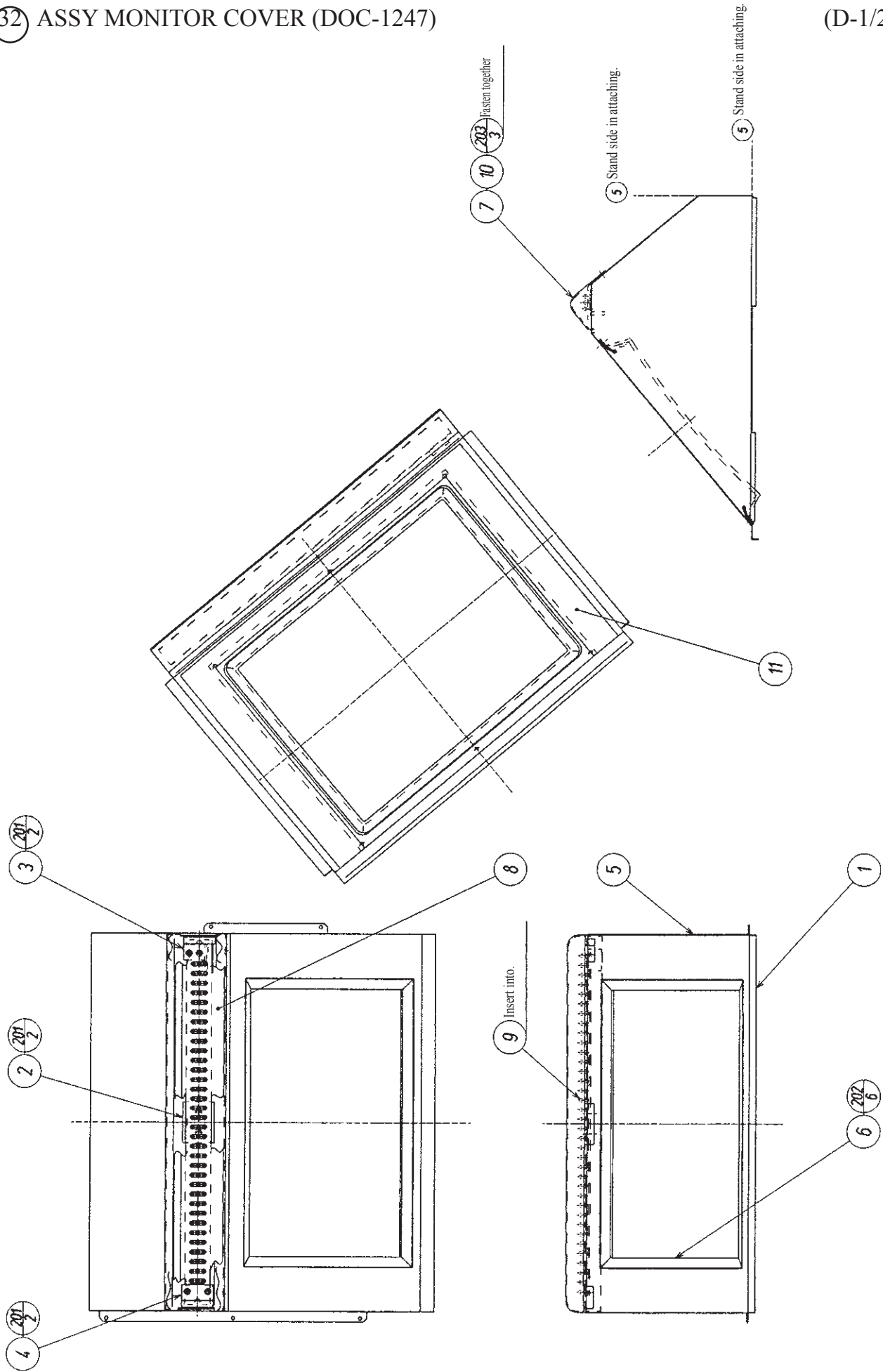
31 ASSY SERVICE SW (DOC-1240)



ITEM NO.	PART NO.	DESCRIPTION	NOTE
1	DOC-1241X	SERVICE SW BRKT	
2	421-11201-01	STICKER SW UNIT ENG	
4	421-11207	STICKER TEST SW	
5	DOC-1285	TEST SW COVER	
101	509-5028	SW PB 1M	
102	838-13739	SW BD NAOMICABINET	
103	601-7467	L-LOCK BK	
104	601-10839	YURIA M4×12 BLACK K-UN 2007	
202	000-P00310-W	M SCR PH W/FS M3×10	

32 ASSY MONITOR COVER (DOC-1247)

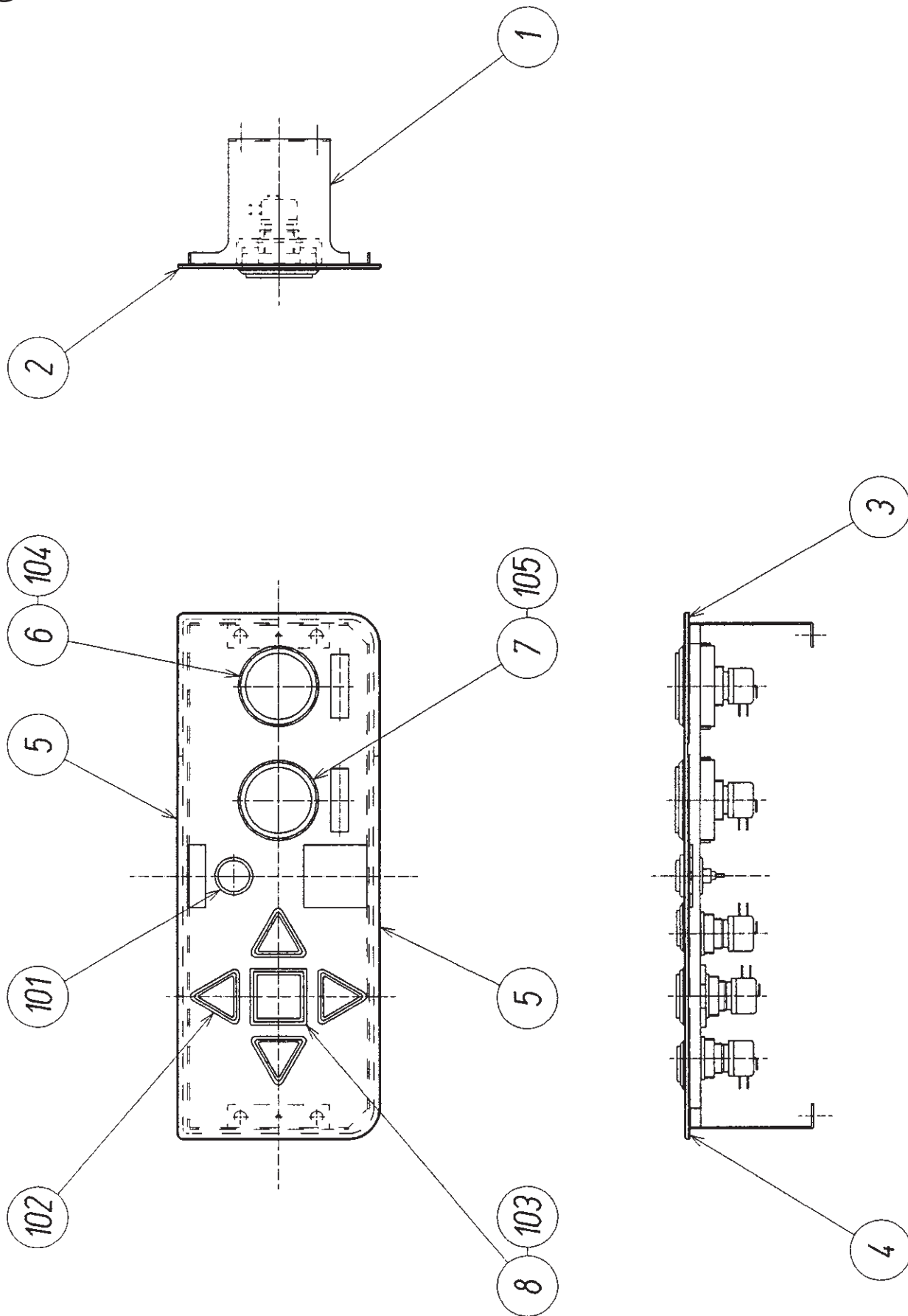
(D-1/2)



32 ASSY MONITOR COVER (DOC-1247)

(D-2/2)

ITEM NO.	PART NO.	DESCRIPTION	NOTE
1	DOC-1248Z	MONITOR COVER	
2	DOC-1249	LAMP BD SUPPORT M	
3	DOC-1250	LAMP BD SUPPORT L	
4	DOC-1251	LAMP BD SUPPORT R	
5	DOC-1252	MONITOR COVER GUIDE	
6	DOC-1253	MONITOR MASK	
7	DOC-1254	LAMP COVER	
8	DOC-1266X	REFLECTOR PLATE	
9	839-1188	WINNER LED BD DOC 2000	
	839-0952-02	WINNER LED BD	
10	DOC-1279	WINNER LAMP SHEET	
11	DOC-1286	STICKER MONITOR	
101	280-5009-01	CORD CLAMP 21	
201	000-F00410	M SCR FH M4×10	
202	050-F00400	FLG NUT M4	
203	000-T00412-0C	M SCR TH CRM M4×12	
301	DOC-60020	WIRE HARN WIN LED	

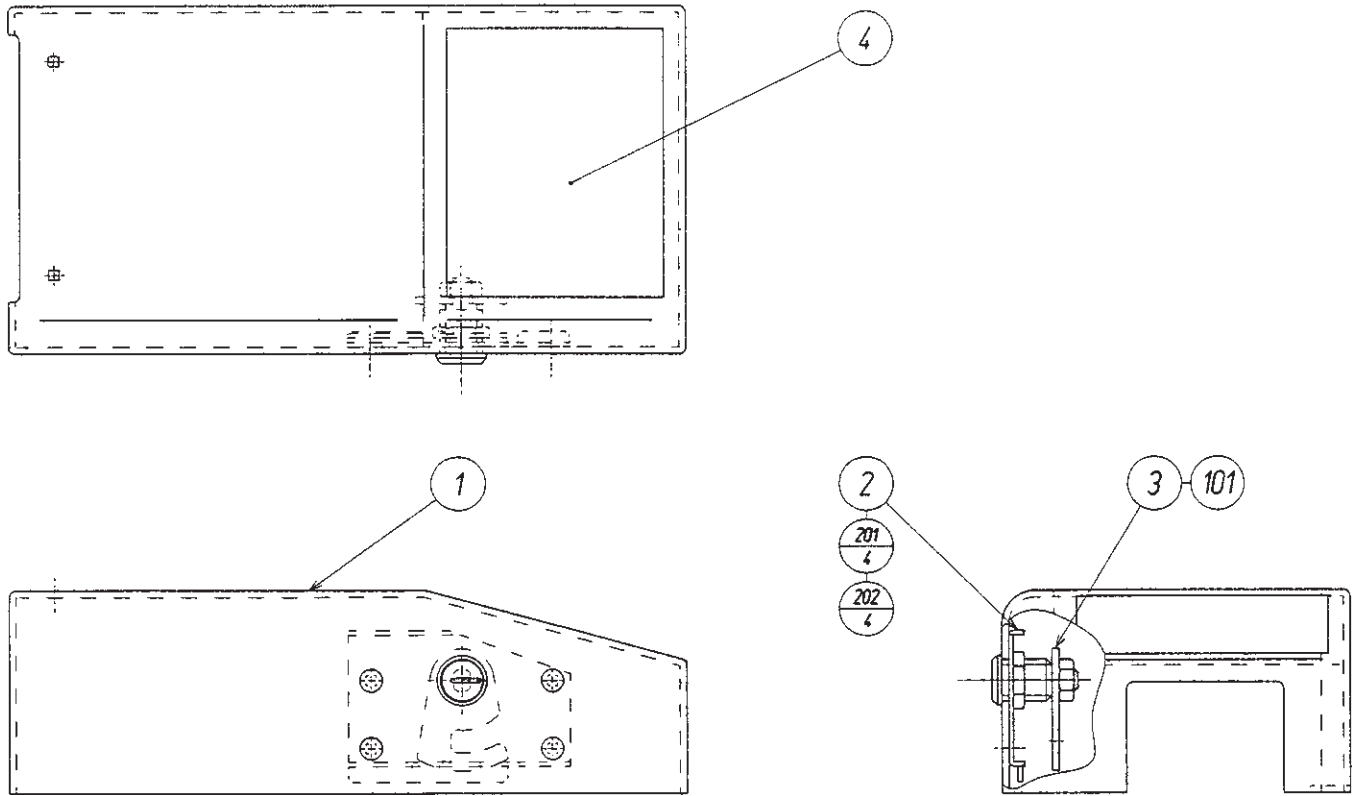


33 ASSY CONTROL PANEL (DOC-1255)

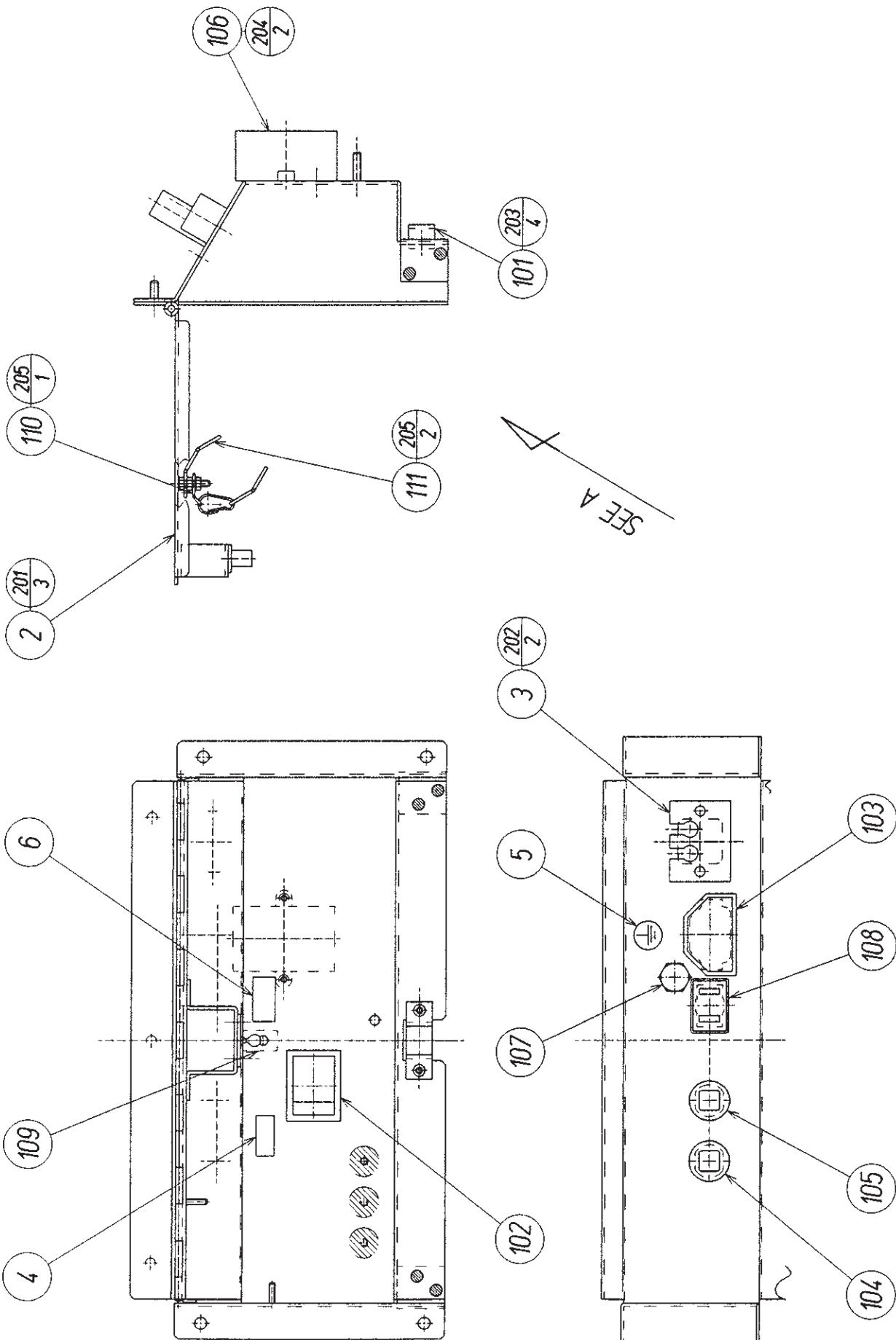
(D-2/2)

ITEM NO.	PART NO.	DESCRIPTION	NOTE
1	DOC-1256X	CONTROL PANEL BASE	
2	DOC-1257-01	CONTROL PANEL DOC ENG	
3	DOC-1258	CUSSION RUBBER A	
4	DOC-1259	CUSSION RUBBER B	
5	DOC-1260	CUSSION RUBBER C	
6	421-11178	FILM PB OI	
7	421-11179	FILM PB OSAE	
8	421-11180	FILM PB OK	
101	509-5755-04	SW PB D30 YELLOW	
102	509-5958-W	SW PB OBSA-30US LED WHITE	
103	509-5959-R	SW PB OBSA-45UKK LED RED	
104	509-5960-R	SW PB OBSA-60UM LED RED	
105	509-5778-05	SW PB W/LAMP 14V GREEN	
107	280-5009-01	CORD CLAMP 21	
301	DOC-60024	WIRE HARN CONT PNL A	
302	DOC-60025	WIRE HARN CONT PNL B	

34 ASSY RW COVER (DOC-1263)



ITEM NO.	PART NO.	DESCRIPTION	NOTE
1	DOC-1264Y	RW COVER	
2	DOC-1265	RETAINER BRKT	
3	TH-1015	LOCKING TONGUE	
4	DOC-1278-01	STICKER SUB INSTR DOC ENG	
101	220-5575	CAM LOCK MASTER W/O KEY	
201	031-000410-0C	CRG BLT CRM M4×10	
202	050-F00400	FLG NUT M4	
/	CKT-0015	STICKER CARD STOCKER	

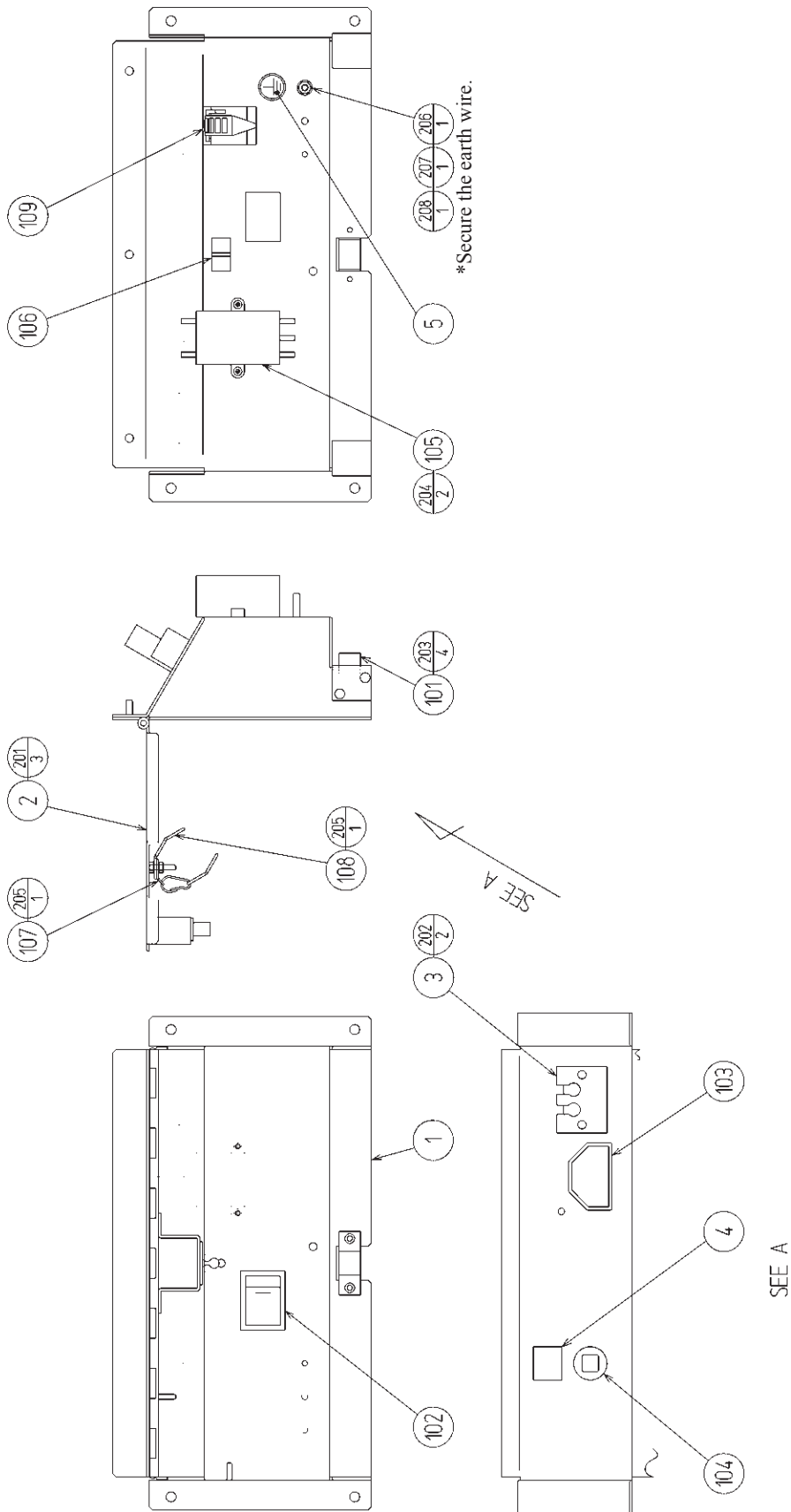


SEE A

35 AC UNIT (DOC-1272)

(D-2/2)

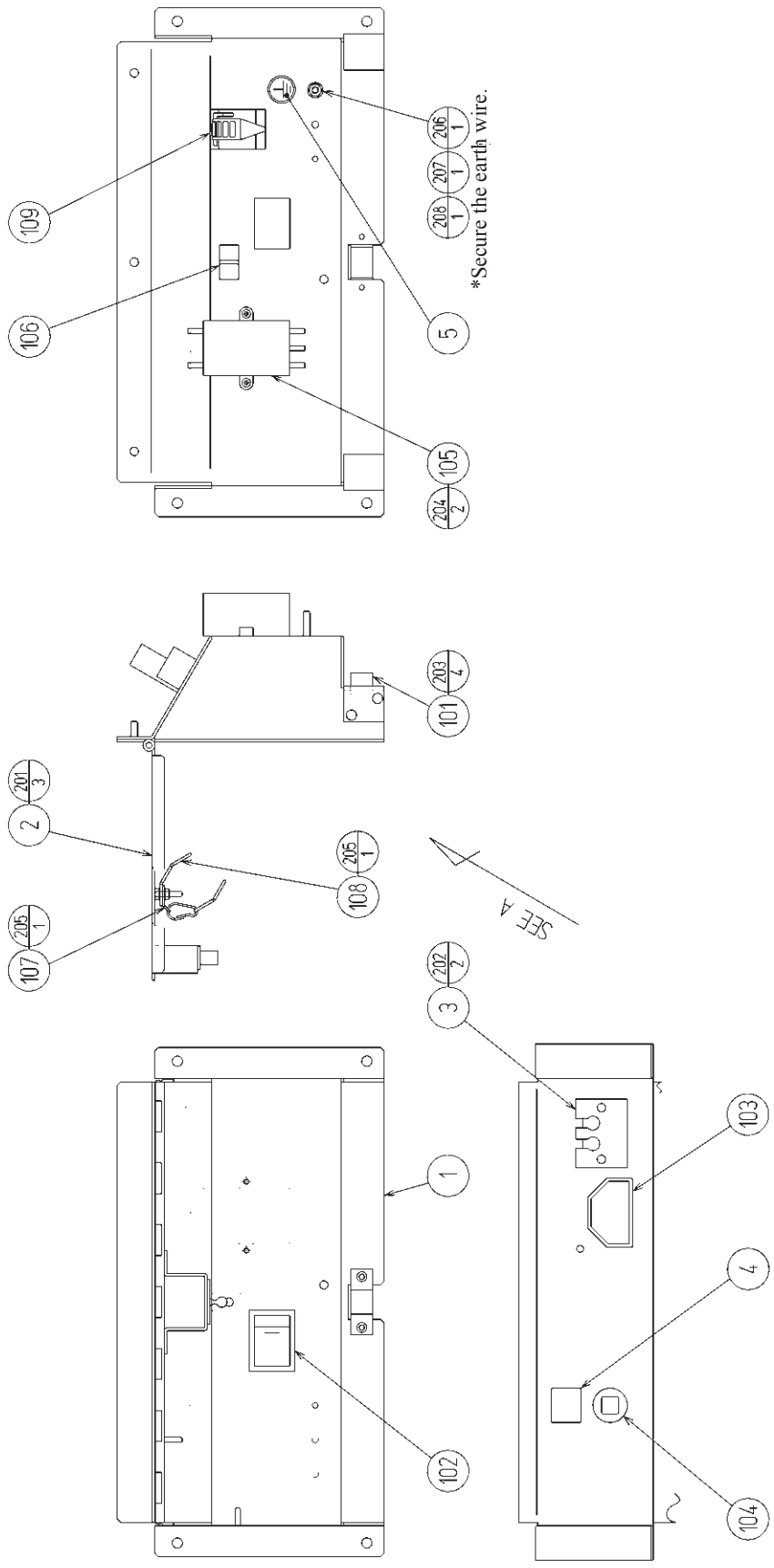
ITEM NO.	PART NO.	DESCRIPTION	NOTE
1	DOC-1273X	AC BRKT	
2	DOC-1274X	AC COVER	
3	DOC-1275X	FIBER GUIDE PLATE	
4	421-7468-02	STICKER C.P W/PIC	
5	421-8202	STICKER EARTH MARK	
6	421-10063	STICKER OUTPUT MAX 10A	
101	601-10837	CATCH SUGATSUNE B-JCU	
102	509-5876	LOCKER SW JW-L21RKK	
103	214-0202	AC INLET PANEL TYPE	
104	512-5046-5000	C.P 5000mA CE UL	
105	512-5046-10000	C.P 10000mA CE UL	
106	270-5020	NOISE FILTER AC250V 6A	
107	280-0417	TERMINAL BINDING POST BLACK	
108	601-5513	OUTLET AC F 187 TYPE	
109	280-5188-2W	WIRE SADDLE WS-2W	
110	601-10880	CHAIN LATCH	
111	601-10881	CHAIN W FOOK	
112	280-5009-01	CORD CLAMP 21	
201	050-F00400	FLG NUT M4	
202	000-P00412-W	M SCR PH W/FS M4×12	
203	000-F00308	M SCR FH M3×8	
204	000-P00308-W	M SCR PH W/FS M3×8	
205	050-F00300	FLG NUT M3	
301	DOC-60001	WIRE HARN AC UNIT	
/	DOC-60002	WIRE HARN NF OUT	



35 AC UNIT 110-120V (DOC-1272-01)

(D-2/2)

ITEM NO.	PART NO.	DESCRIPTION	NOTE
1	DOC-1273-01	AC BRKT	
2	DOC-1274X	AC COVER	
3	DOC-1275X	FIBER GUIDE PLATE	
4	421-7468-02	STICKER C.P W/PIC	
5	421-8202	STICKER EARTH MARK	
101	601-10837	CATCH SUGATSUNE B-JCU	
102	509-5876	LOCKER SW JW-L21RKK	
103	214-0202	AC INLET PANEL TYPE	
104	512-5046-5000	C.P 5000MA CE UL	
105	270-5020	NOISE FILTER AC250V 6A	
106	280-5188-2W	WIRE SADDLE WS-2W	
107	601-10880	CHAIN LATCH	
108	601-10881	CHAIN W FOOK	
109	280-5009-01	CORD CLAMP 21	
201	050-F00400	FLG NUT M4	
202	000-P00412-W	M SCR PH W/FS M4×12	
203	000-F00308	M SCR FH M3×8	
204	000-P00308-W	M SCR PH W/FS M3×8	
205	050-F00300	FLG NUT M3	
206	060-F00400	FLT WSHR M4	
207	060-S00400	SPR WSHR M4	
208	050-H00400	HEX NUT M4	
301	DOC-60201	WH AC UNIT EXP 1	
302	DOC-60202	WH AC UNIT EXP 2	
303	DOC-60002	WIRE HARN NF OUT	



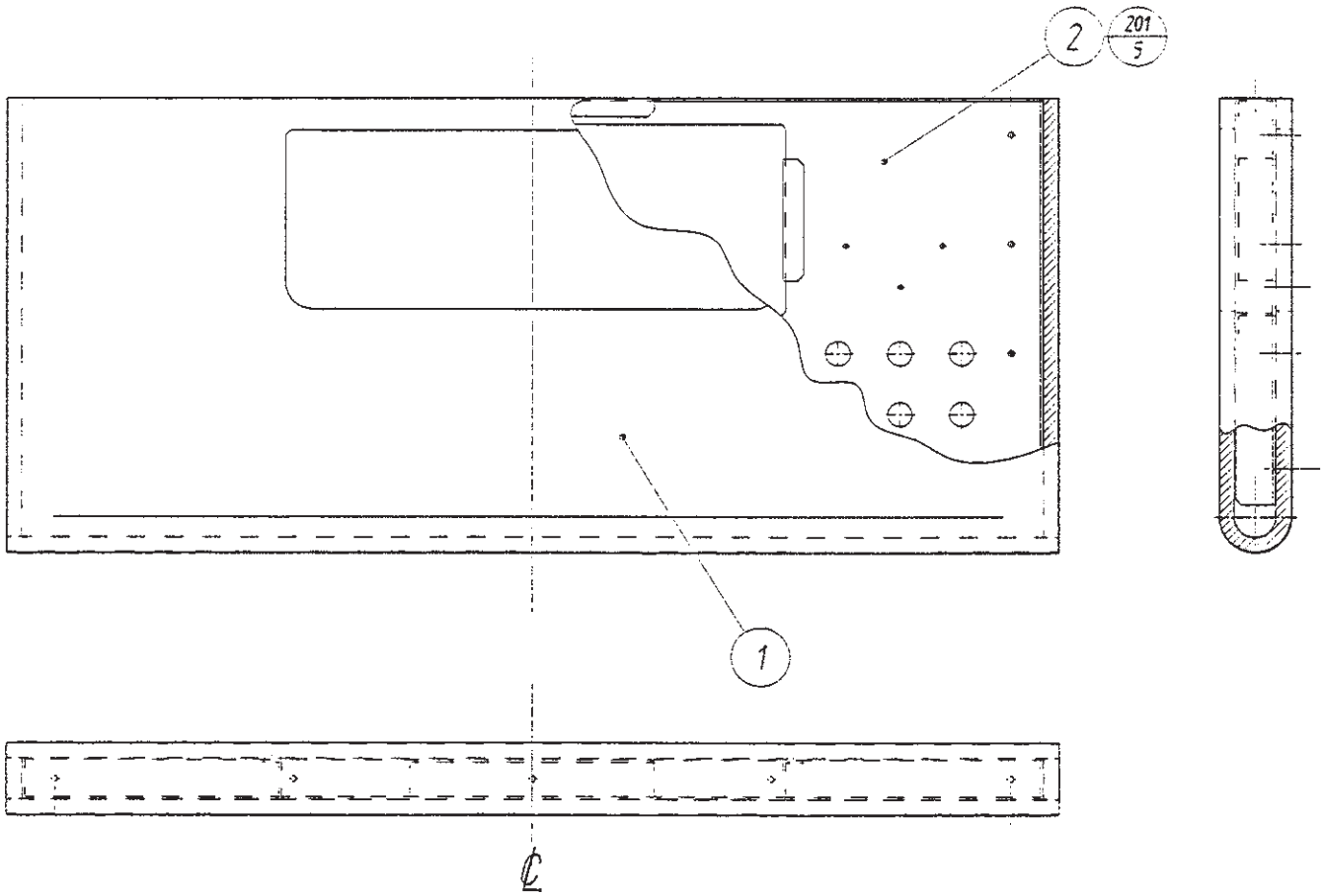
SEE A

35 AC UNIT 220-240V (DOC-1272-02)

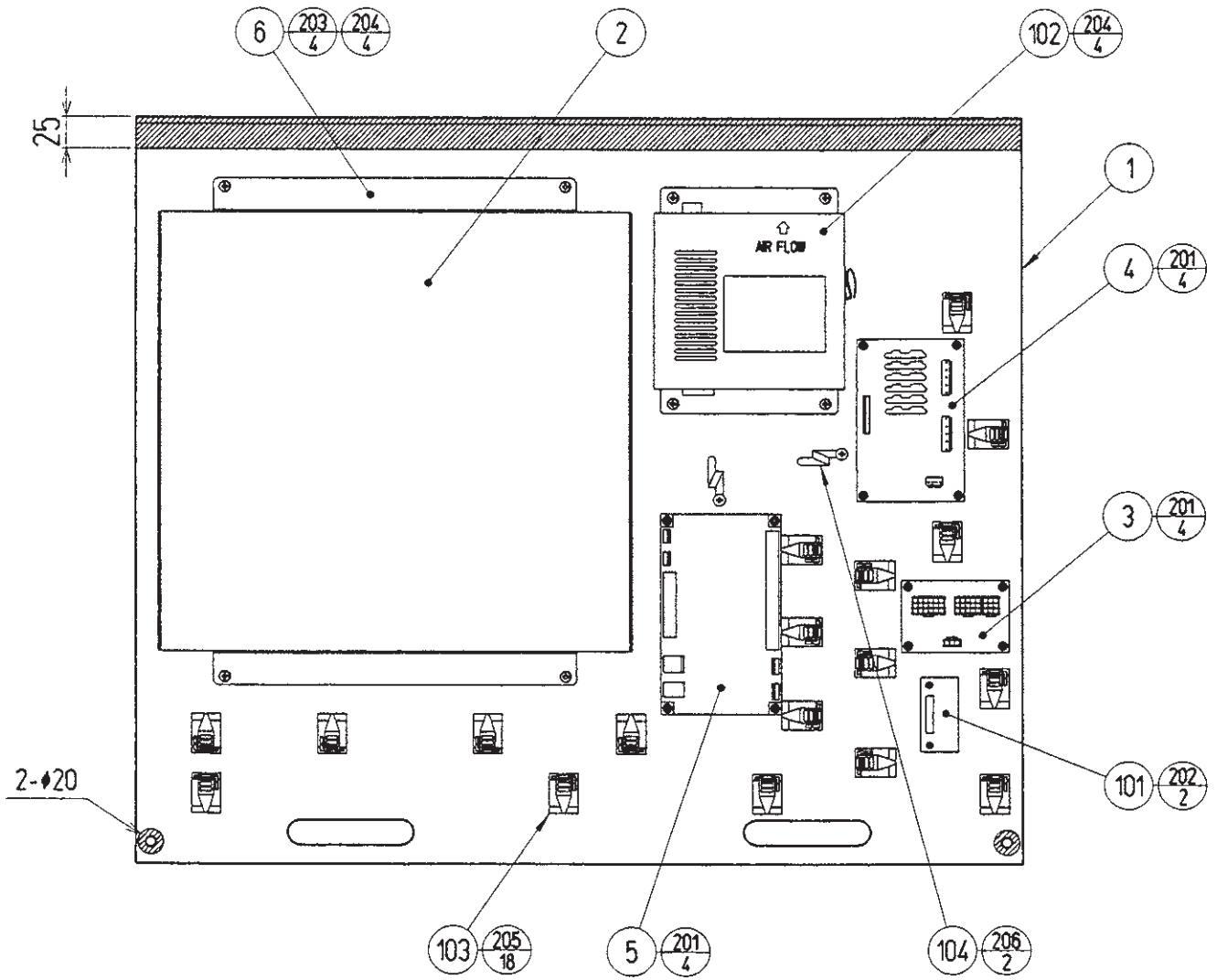
(D-2/2)

ITEM NO.	PART NO.	DESCRIPTION	NOTE
1	DOC-1273-01	AC BRKT	
2	DOC-1274X	AC COVER	
3	DOC-1275X	FIBER GUIDE PLATE	
4	421-7468-02	STICKER C.P W/PIC	
5	421-8202	STICKER EARTH MARK	
101	601-10837	CATCH SUGATSUNE B-JCU	
102	509-5876	LOCKER SW JW-L21RKK	
103	214-0202	AC INLET PANEL TYPE	
104	512-5046-3000	C.P 3000MA CE UL	
105	270-5020	NOISE FILTER AC250V 6A	
106	280-5188-2W	WIRE SADDLE WS-2W	
107	601-10880	CHAIN LATCH	
108	601-10881	CHAIN W FOOK	
109	280-5009-01	CORD CLAMP 21	
201	050-F00400	FLG NUT M4	
202	000-P00412-W	M SCR PH W/FS M4×12	
203	000-F00308	M SCR FH M3×8	
204	000-P00308-W	M SCR PH W/FS M3×8	
205	050-F00300	FLG NUT M3	
206	060-F00400	FLT WSHR M4	
207	060-S00400	SPR WSHR M4	
208	050-H00400	HEX NUT M4	
301	DOC-60201	WH AC UNIT EXP 1	
302	DOC-60202	WH AC UNIT EXP 2	
303	DOC-60002	WIRE HARN NF OUT	

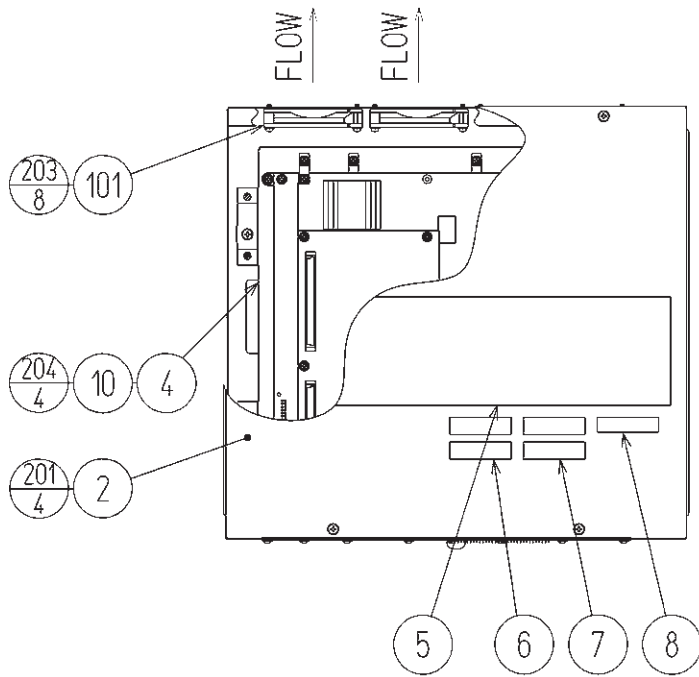
36 ASSY ARM REST (DOC-1290)



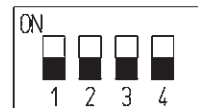
ITEM NO.	PART NO.	DESCRIPTION	NOTE
1	DOC-1224X	ARM REST	
2	DOC-1225	ARM REST BASE	
201	000-F00425	M SCR FH M4×25	



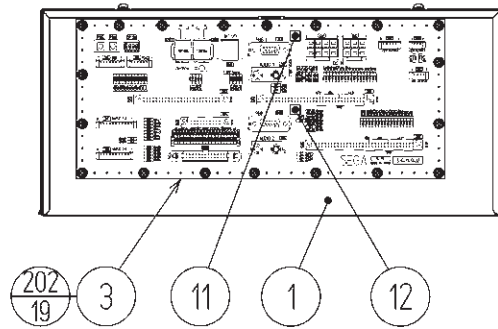
ITEM NO.	PART NO.	DESCRIPTION	NOTE
1	DOC-4001	WOODEN BASE ELEC	
2	DOC-4700	ASSY SHIELD CASE DOC WE	
3	839-0976	CONN BD	
4	839-0619-02	SSR BD 6	
5	837-13551-92	I/O CONTROL BD FOR JVS	
6	105-5368	SHIELD CASE BRKT	
101	117-5225	TERMINAL 3P 20A	
102	400-5397	SW REGU FOR JVS	
103	280-5009-01	CORD CLAMP 21	
104	280-0419	HARNESS LUG	
105	270-5117	FERRITE CORE TDK ZCAT3035-1330	
106	601-0460	PLASTIC TIE BELT 100MM	
201	011-P00325	TAP SCR PH 3×25	
202	011-P03516	TAP SCR PH 3.5×16	
203	000-P00408-W	M SCR PH W/FS M4×8	
204	000-P00412-W	M SCR PH W/FS M4×12	
205	011-F00310	TAP SCR FH 3×10	
206	011-T03512	TAP SCR TH 3.5×12	
301	DOC-60058	WIRE HARN AC IN M	
302	DOC-60059	WIRE HARN AC OUT M	
303	DOC-60060	WIRE HARN AC LINES M 1	
304	DOC-60061	WIRE HARN JVS I/O M	
305	DOC-60062	WIRE HARN DC M A	
306	DOC-60063	WIRE HARN DC M B	
307	DOC-60064	WIRE HARN DC M C	
308	DOC-60065	WIRE HARN AUDIO OUT M	
309	DOC-60066	WIRE HARN SP OUT R M EXT 1	
310	600-7141-050	CABLE JVS TYPE A-B 050CM	



Set the DIP SW of FILTER BD AS FOLLOWS.

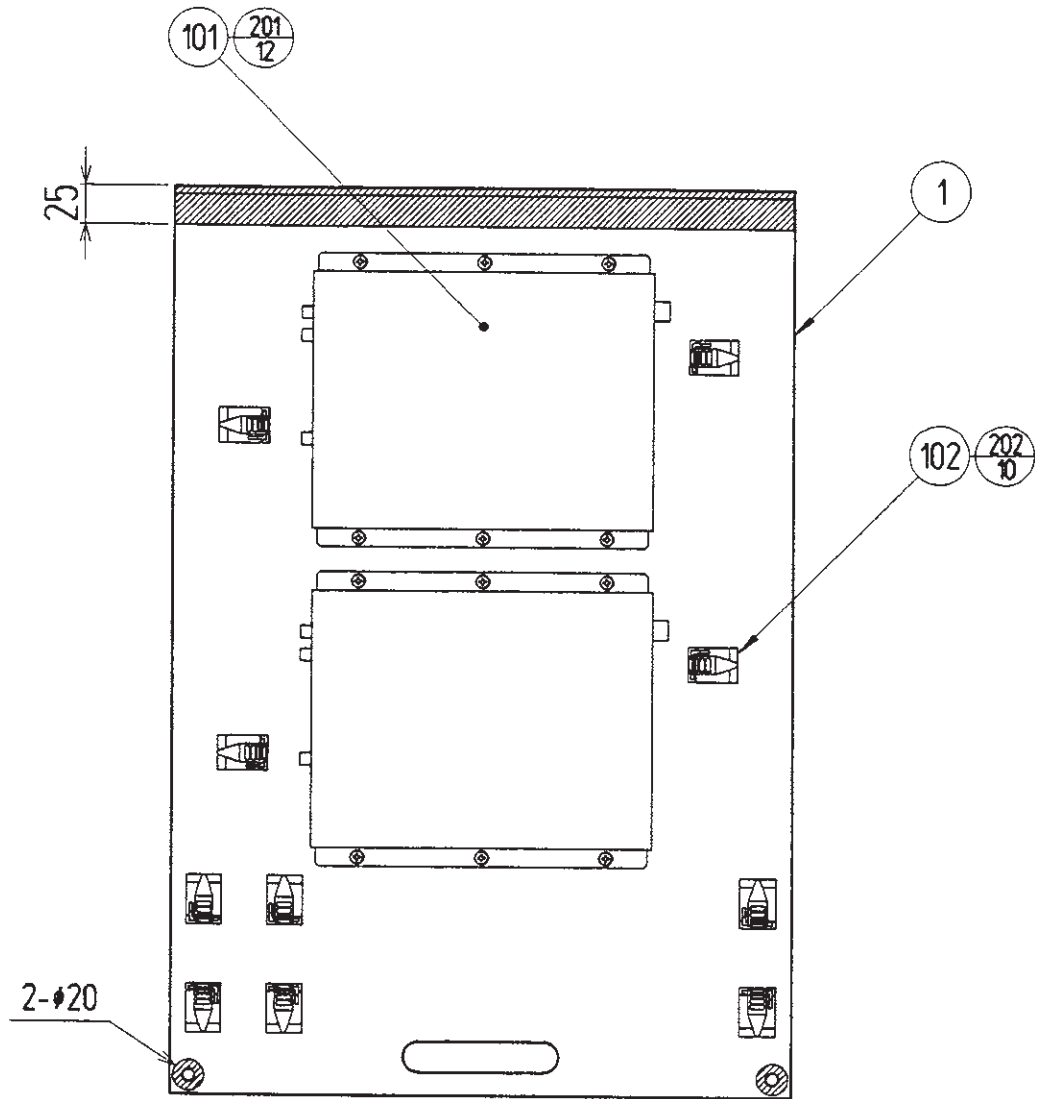


- 1. OFF
- 2. OFF
- 3. OFF
- 4. OFF



ITEM NO.	PART NO.	DESCRIPTION	NOTE
1	105-5413	SHIELD CASE NAOMI MULTI 2	
2	105-5414	SHIELD CASE LID NAOMI MULTI 2	
3	839-1109-02	FLT BD NAOMI MULTI MASTER FRI	
4	833-14263	GAME BD DOC WE	
5	421-9174-01	STICKER CAUTION ANTISTATIC	
6	421-10023-AAA	STICKER BD SERIAL NUMBER AAA	
7	421-10023-BEF	STICKER BD SERIAL NUMBER BEF	
8	441-314263	STICKER 833-14263	
9	601-10835	CARTON BOX NAOMI MULTI 2	
10	105-5390	FIXING BRACKET	
11	421-9757-L	STICKER L	
12	421-9757-R	STICKER R	
101	260-0064	FAN MOTOR DC12V	
102	280-5275-SR10	CORD CLAMP SR10	
201	000-P00408-W	M SCR PH W/FS M4×8	
202	010-P00308-F	S-TITE SCR PH W/F M3×8	
203	000-P00320-W	M SCR PH W/FS M3×20	
204	000-P00412-W	M SCR PH W/FS M4×12	
301	APC-60046	WIRE HARN FAN MOTOR SLAVE	

39 ASSY AMP BASE (DOC-4100)



ITEM NO.	PART NO.	DESCRIPTION	NOTE
1	DOC-4101	WOODEN BASE AMP UNIT	
101	601-10369	STEREO PWR AMP 47	
102	280-5009-01	CORD CLAMP 21	
201	011-P00412	TAP SCR PH 4×12	
202	011-F00310	TAP SCR FH 3×10	
301	DOC-60067	WIRE HARN AC FOR PTV L EXT	
302	DOC-60068	WIRE HARN TEST SERVICE M EXT 2	
303	DOC-60069	WIRE HARN AC LINES M 2	
304	DOC-60070	WIRE HARN AUDIO IN M	
305	DOC-60071	WIRE HARN SP OUT R M	
306	DOC-60072	WIRE HARN SP OUT L M	
307	DOC-60073	WIRE HARN AMP VOL M	

④① ASSY WIRE REAR (DOC-6051)

ASSY WIRE REAR (DOC-6051) is comprised of the following wire harnesses.
An ASSY DRG. is unavailable.

ITEM NO.	PART NO.	DESCRIPTION	NOTE
101	601-0460	PLASTIC TIE BELT 100MM	
301	DOC-60053	WIRE HARN AC FOR PTV R	
302	DOC-60076	WIRE HARN LAMP M EXT 1	
303	DOC-60077	WIRE HARN FL M EXT 1	

④① ASSY WIRE SIDE R (DOC-6052)

ASSY WIRE SIDE R (DOC-6052) is comprised of the following wire harnesses.
An ASSY DRG. is unavailable.

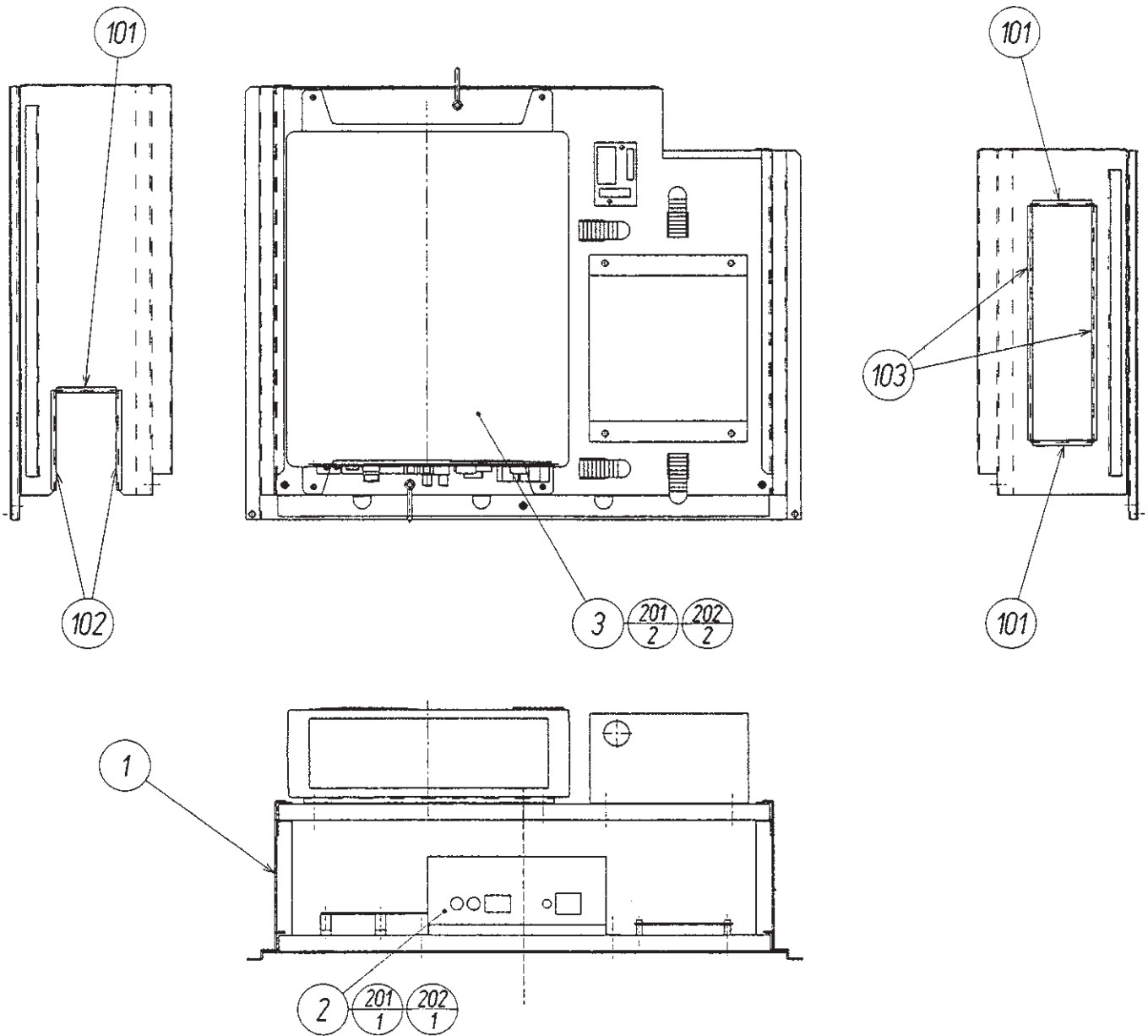
ITEM NO.	PART NO.	DESCRIPTION	NOTE
101	601-0460	PLASTIC TIE BELT 100MM	
301	DOC-60052	WIRE HARN FAN MOTOR R M	
302	DOC-60084	WIRE HARN SP OUT R M EXT 2	
303	DOC-60085	WIRE HARN FL R M EXT 1	

④② ASSY WIRE SIDE L (DOC-6053)

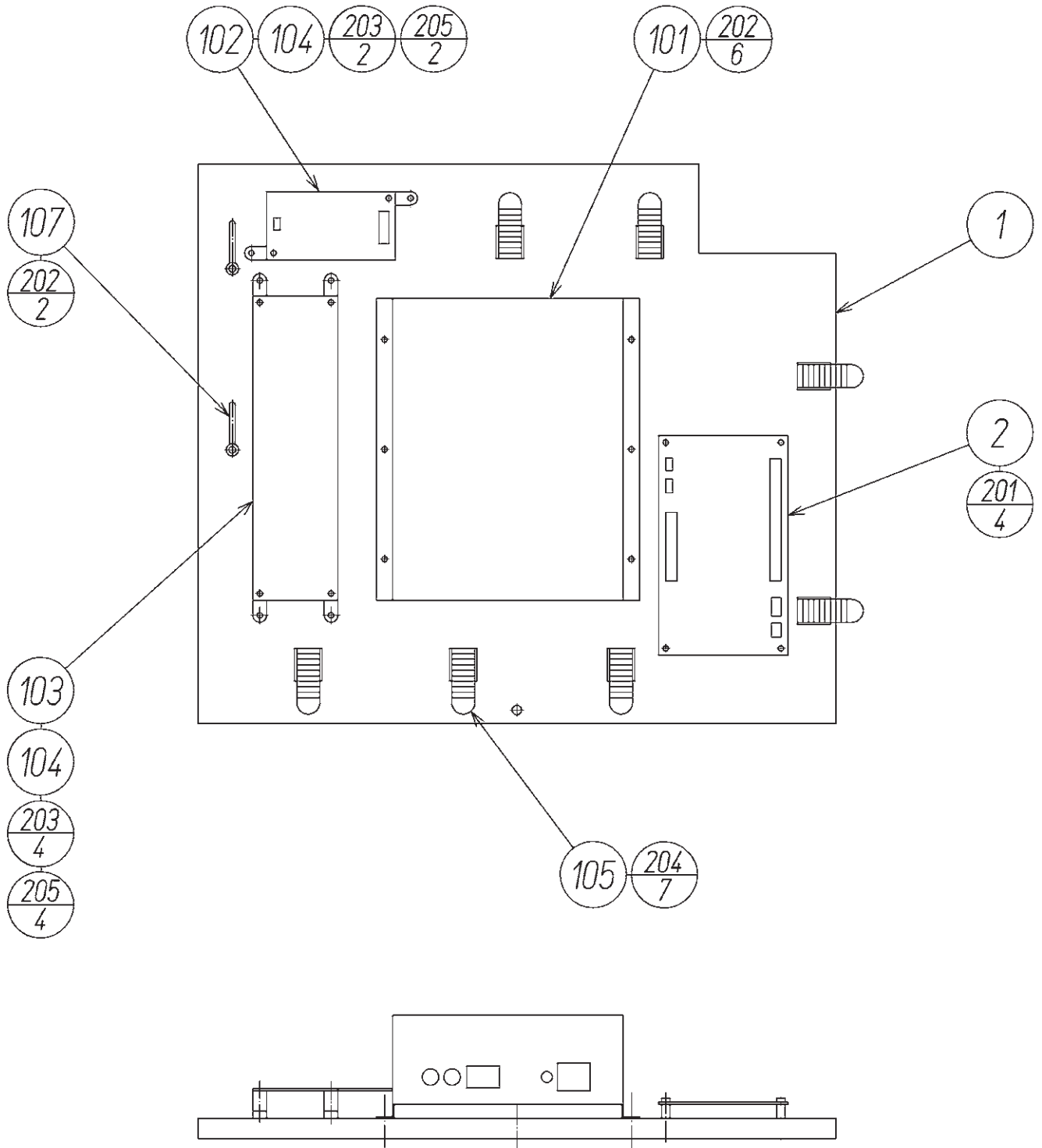
ASSY WIRE SIDE L (DOC-6053) is comprised of the following wire harnesses.
An ASSY DRG. is unavailable.

ITEM NO.	PART NO.	DESCRIPTION	NOTE
101	601-0460	PLASTIC TIE BELT 100MM	
301	DOC-60054	WIRE HARN AC FOR PTV L	
302	DOC-60055	WIRE HARN FAN MOTOR L M	
303	DOC-60056	WIRE HARN TEST SERVICE M EXT 1	
304	DOC-60057	WIRE HARN SOUND VOL M EXT	
305	DOC-60086	WIRE HARN SP OUT L M EXT	
306	DOC-60087	WIRE HARN FL L M EXT 1	

43 ASSY ELEC (DOC-4300)



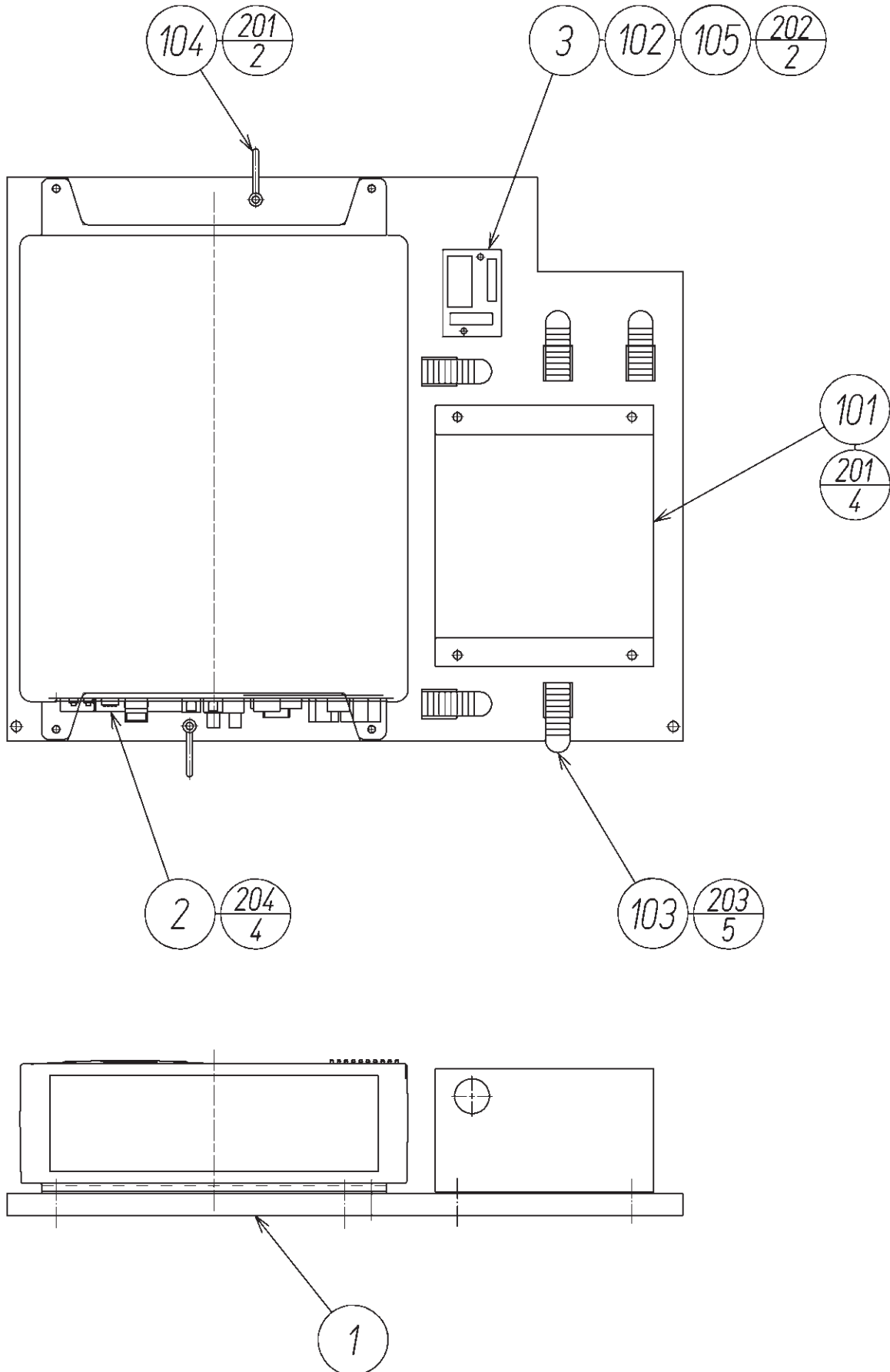
ITEM NO.	PART NO.	DESCRIPTION	NOTE
1	DOC-4301	BD BASE BRKT	
2	DOC-4310	ASSY PWR AMP	
3	DOC-4320	ASSY SATL BD	
101	601-6231-C056	EDGING NEW TYPE L=56	
102	601-6231-C095	EDGING NEW TYPE L=95	
103	601-6231-C226	EDGING NEW TYPE L=226	
104	280-5009-01	CORD CLAMP 21	
201	000-P00425-W	M SCR PH W/FS M4×25	
202	068-441616	FLT WSHR 4.4-16×1.6	



④ ASSY PWR AMP (DOC-4310)

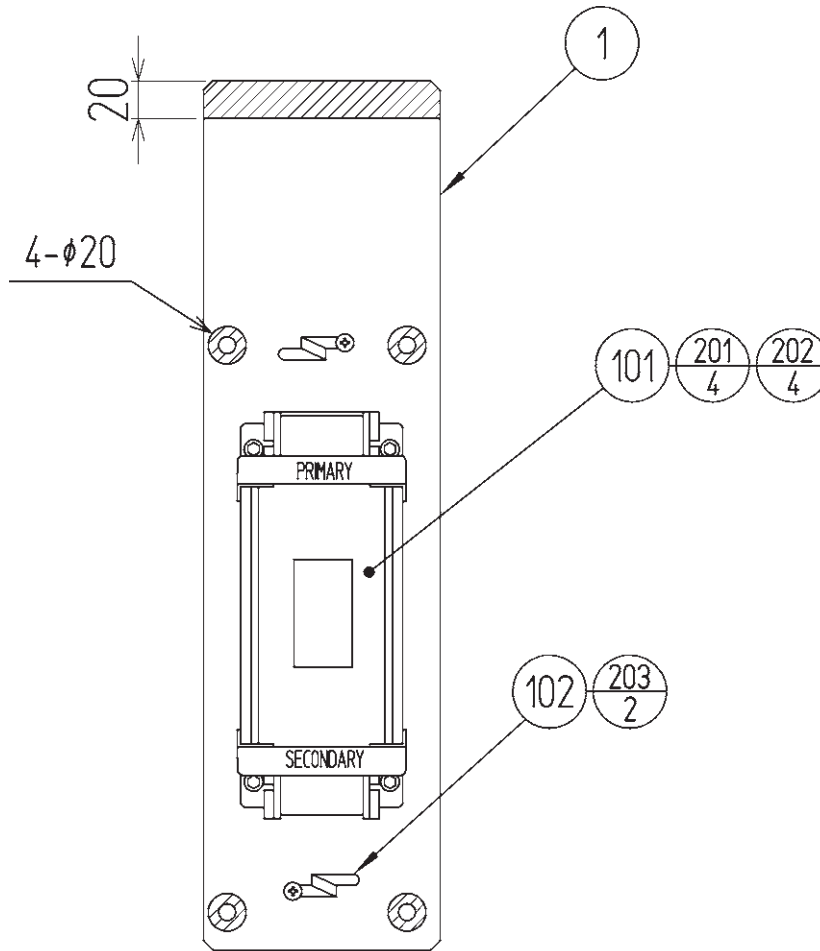
(D-2/2)

ITEM NO.	PART NO.	DESCRIPTION	NOTE
1	DOC-4311	WOODEN BASE A	
2	837-13551-92	I/O CONTROL BD FOR JVS	
101	601-10369	STEREO PWR AMP 47	
102	400-5421-01005	SW REGU LCA10S-5	
103	400-5421-10012	SW REGU LCA100S-12	
104	601-7467	L-LOCK BK	
105	280-5009-01	CORD CLAMP 21	
107	280-0419	HARNESS LUG	
201	011-P00325	TAP SCR PH 3×25	
202	011-T03512	TAP SCR TH 3.5×12	
203	011-T03516	TAP SCR TH 3.5×16	
204	011-F00310	TAP SCR FH 3×10	
205	000-P00310-W	M SCR PH W/FS M3×10	
301	DOC-60005	WIRE HARN AC OUT 9P	
302	DOC-60006	WIRE HARN SOUND VOL	
303	DOC-60007	WIRE HARN EXT SPEAKER OUT	
304	DOC-60008	WIRE HARN EXT DC OUT	
305	DOC-60011	WIRE HARN DC LCA	
306	DOC-60014	WIRE HARN JVS I/O	
307	600-7141-100	CABLE JVS TYPE A-B 100CM	
308	600-7158-0100	CA AUDIO RCA TO RCA 2CH 100CM	



ITEM NO.	PART NO.	DESCRIPTION	NOTE
1	DOC-4321	WOODEN BASE B	
2	840-0088D	ASSY CASE NAO DOC WE	
3	421-6595-05	STICKER 5A (80426)	
101	400-5397	SW REGU FOR JVS	
102	838-11856-01	CONNECT BD W/FUSE & COVER	
103	280-5009-01	CORD CLAMP 21	
104	280-0419	HARNESS LUG	
105	514-5036-5000	FUSE 6.4×30 5000mA 125V	
201	011-T03512	TAP SCR TH 3.5×12	
202	011-P00325	TAP SCR PH 3×25	
203	011-F00310	TAP SCR FH 3×10	
204	000-P00416-W	M SCR PH W/FS M4×16	
301	DOC-60003	WIRE HARN XFMR OUT	
302	DOC-60004	WIRE HARN AC OUT 15P	
303	DOC-60009	WIRE HARN DC OUT VL 6P	
304	DOC-60010	WIRE HARN DC OUT VL 8P	
305	600-7009-1000	ASSY RGB CA D-SUB 15P 1000MM	

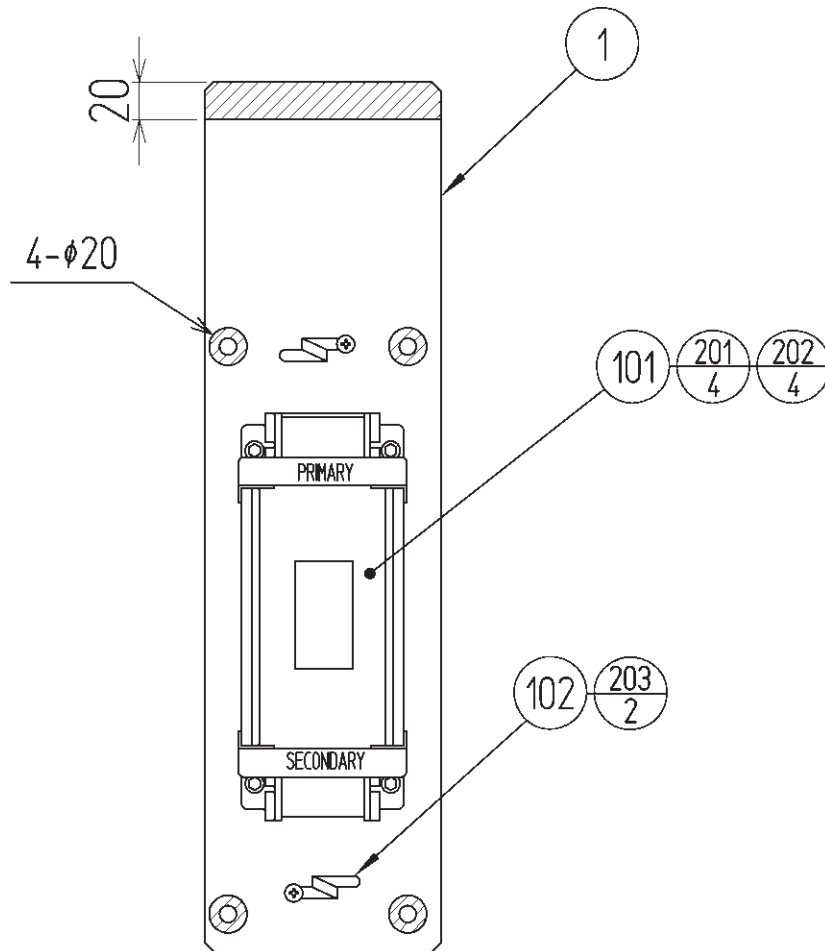
④6 ASSY TRANS 100V LINES (DOC-4200)



Note: Make sure that there is no parts, wiring, etc. in the slash mark portions.

ITEM NO.	PART NO.	DESCRIPTION	NOTE
1	DOC-4201	WOODEN BASE TRANS	
101	560-5430-V	XFMR 100-120V 100V 15A WB	
102	280-0419	HARNESS LUG	
201	030-000616-S	HEX BLT W/S M6×16	
202	060-F00600	FLT WSHR M6	
203	011-T03512	TAP SCR TH 3.5×12	
301	DOC-60204	WH XFMR IN M EXP	

④6 ASSY TRANS 200V LINES (DOC-4210)



Note: Make sure that there is no parts, wiring, etc. in the slash mark portions.

ITEM NO.	PART NO.	DESCRIPTION	NOTE
1	DOC-4201	WOODEN BASE TRANS	
101	560-5431-V	XFMR 220-240V 100V 15A WB	
102	280-0419	HARNESS LUG	
201	030-000616-S	HEX BLT W/S M6×16	
202	060-F00600	FLT WSHR M6	
203	011-T03512	TAP SCR TH 3.5×12	
301	DOC-60204	WH XFMR IN M EXP	

Notes:

Warranty

Your new Sega Product is covered for a period of 90 days from the date of shipment. This certifies that the Printed Circuit Boards, Power Supplies and Monitor are to be free of defects in workmanship or materials under normal operating conditions. This also certifies that all Interactive Control Assemblies are to be free from defects in workmanship and materials under normal operating conditions. No other product in this machine is hereby covered.

Sellers sole liability in the event a warranted part described above fails shall be, at its option, to replace or repair the defective part during the warranty period. For Warranty claims, contact your Sega Distributor.

Should the Seller determine, by inspection that the product was caused by Accident, Misuse, Neglect, Alteration, Improper Repair, Installation or Testing, the warranty offered will be null and void.

Under no circumstances is the Seller responsible for any loss of profits, loss of use, or other damages.

This shall be the exclusive written Warranty of the original purchaser expressed in lieu of all other warranties expressed or implied. Under no circumstance shall it extend beyond the period of time listed above.



SEGA AMUSEMENTS USA, INC.

45133 Industrial Drive
Fremont, CA 94538
(415) 701-6580 phone
(415) 701-6594 fax