



US00D369835S

United States Patent [19]

Couch et al.

[11] Patent Number: **Des. 369,835**

[45] Date of Patent: ****May 14, 1996**

[54] **CONTROL STICK AND BASE**

[75] Inventors: **Johnny D. Couch**, San Jose; **Sarah M. Richmond**, Foster City; **Ira L. Velinsky**, Saratoga, all of Calif.; **Stephen K. Guerrera**, Milford, Mass.; **Gregory H. Hunter**, Westwood, Mass.; **John D. Gundlach**, Rowley, Mass.

[73] Assignee: **Sega Enterprises, Ltd.**, Japan

[**] Term: **14 Years**

[21] Appl. No.: **36,220**

[22] Filed: **Mar. 15, 1995**

[52] U.S. Cl. **D21/48**

[58] Field of Search D21/1, 13, 48;
273/148 B, 433-438, DIG. 28; D14/125,
126, 218

[56] **References Cited**

U.S. PATENT DOCUMENTS

D. 317,153	5/1991	Mackenzie	D21/48 X
D. 345,994	4/1994	Shian	D21/48
D. 351,625	10/1994	Carter et al.	D21/48
D. 352,331	11/1994	Wu	D21/48
4,509,383	4/1985	Yeh	273/438 X

4,688,443	8/1987	Fabre et al.	273/DIG. 28 X
5,114,157	5/1992	Kita	273/148 B X
5,375,831	12/1994	Hsien-Chung	273/148 B

OTHER PUBLICATIONS

Merchandise, Mar.-1983, p. 53.
Vending Times, Jul.-1982, p. 40.
Hong Kong Electronics, 1985, p. 175.

Primary Examiner—Prabhakar G. Deshmukh
Attorney, Agent, or Firm—Skjerven, Morrill, MacPherson, Franklin & Friel; David W. Heid

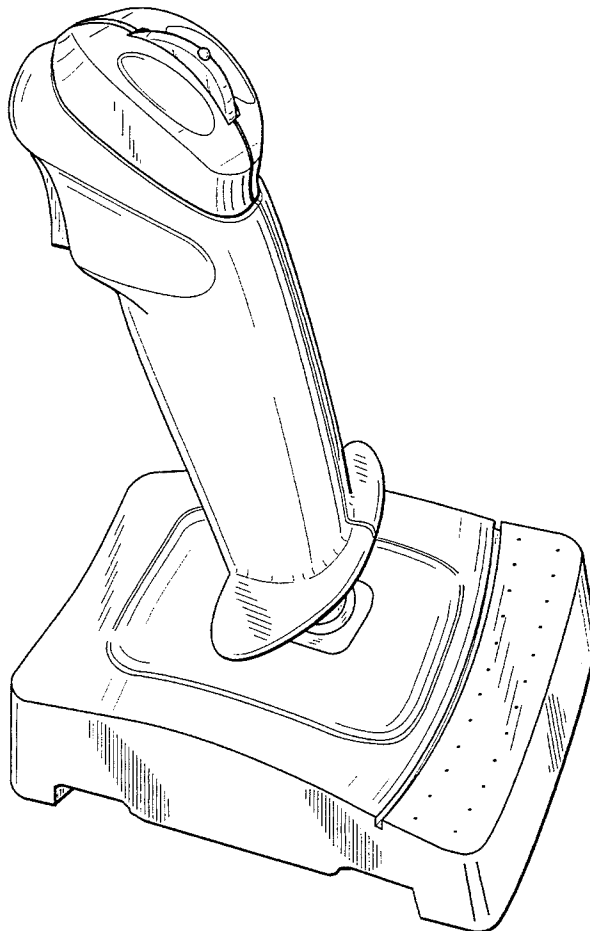
[57] **CLAIM**

The ornamental design for a control stick and base, as shown and described.

DESCRIPTION

FIG. 1 is a perspective front elevation view of a control stick and base;
FIG. 2 is a top plan view thereof;
FIG. 3 is a bottom plan view thereof;
FIG. 4 is a front elevation view thereof;
FIG. 5 is a rear elevation view thereof;
FIG. 6 is a right side elevational view thereof; and,
FIG. 7 is a left side elevational view thereof.

1 Claim, 7 Drawing Sheets



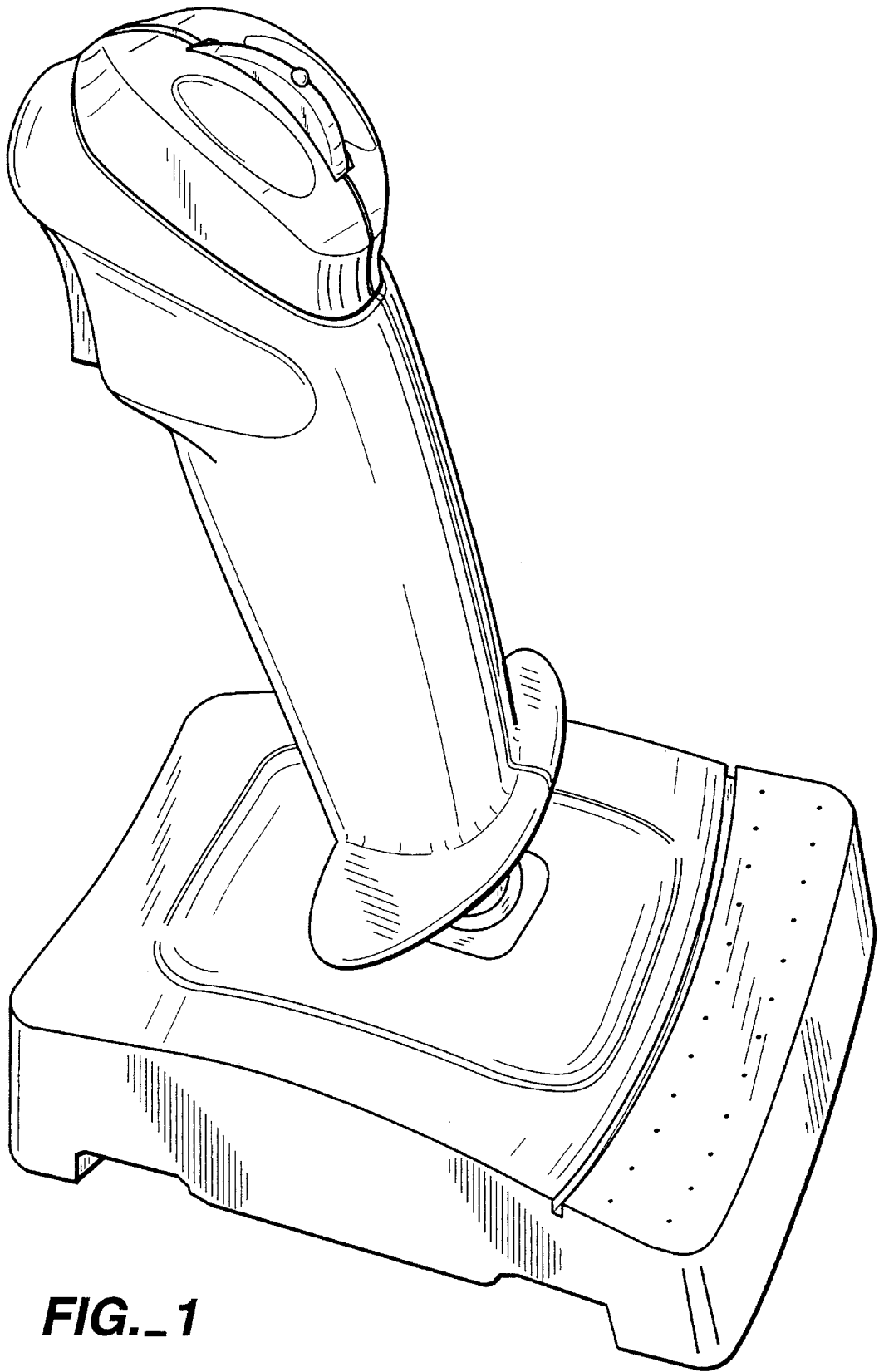


FIG. 1

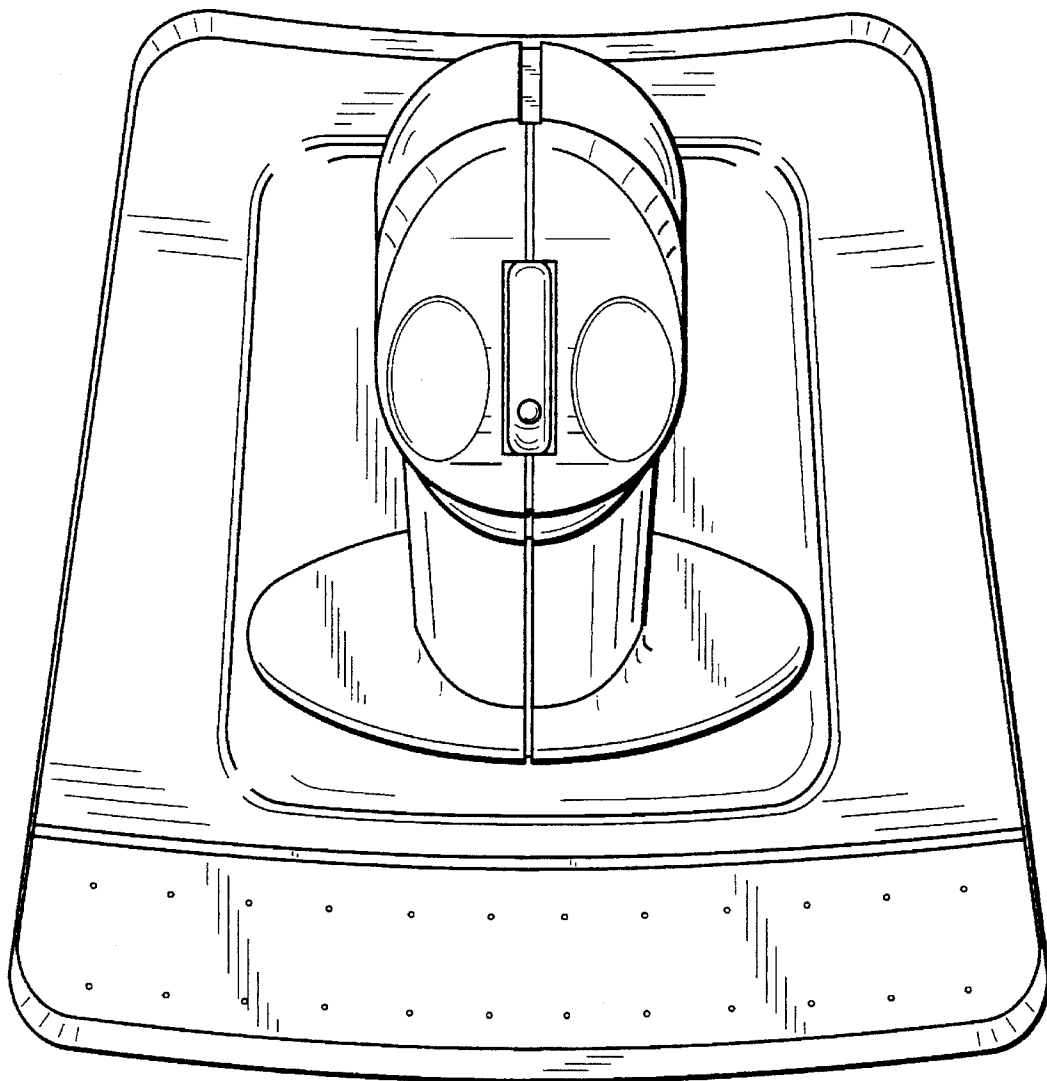


FIG. 2

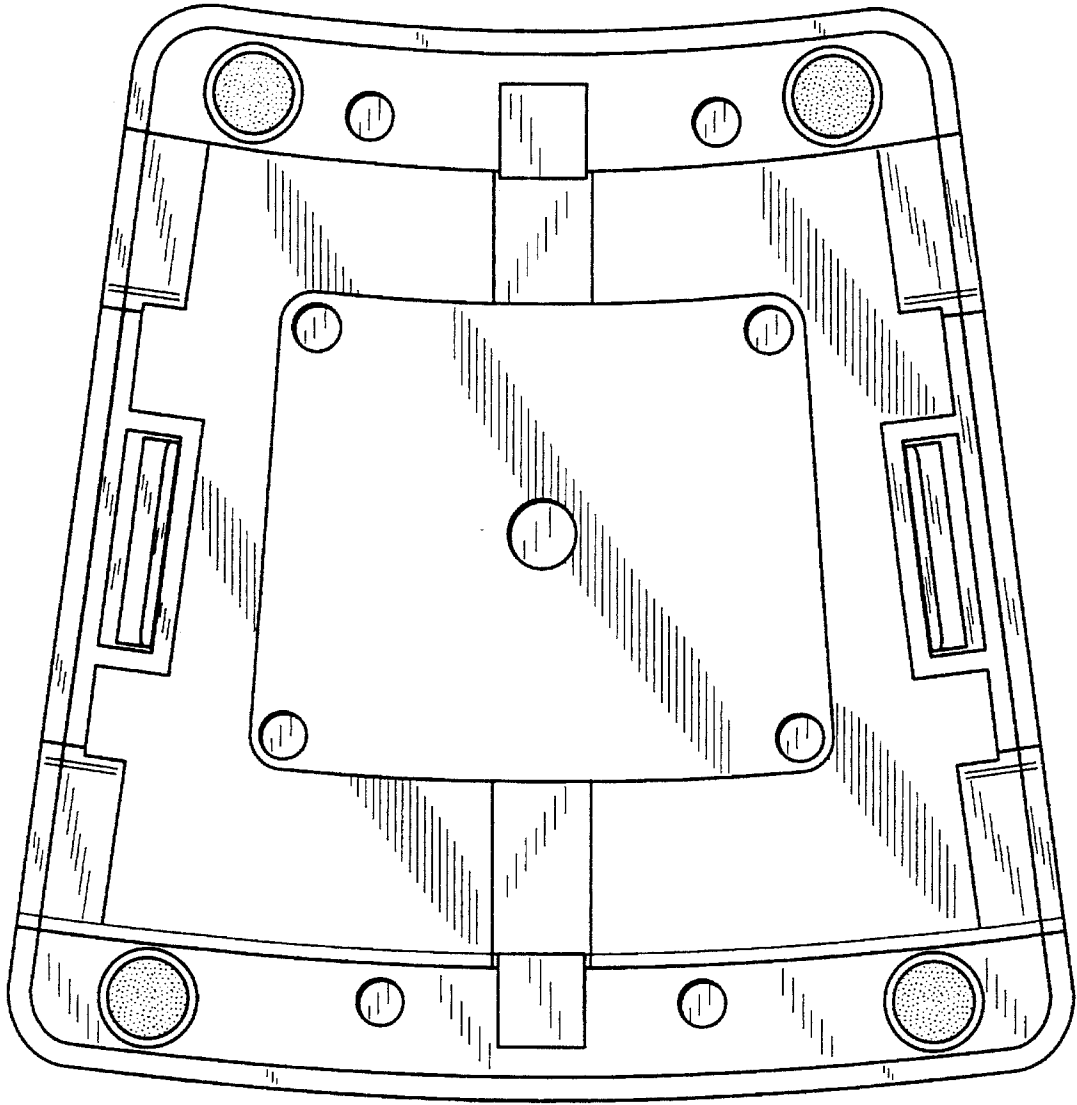


FIG. 3

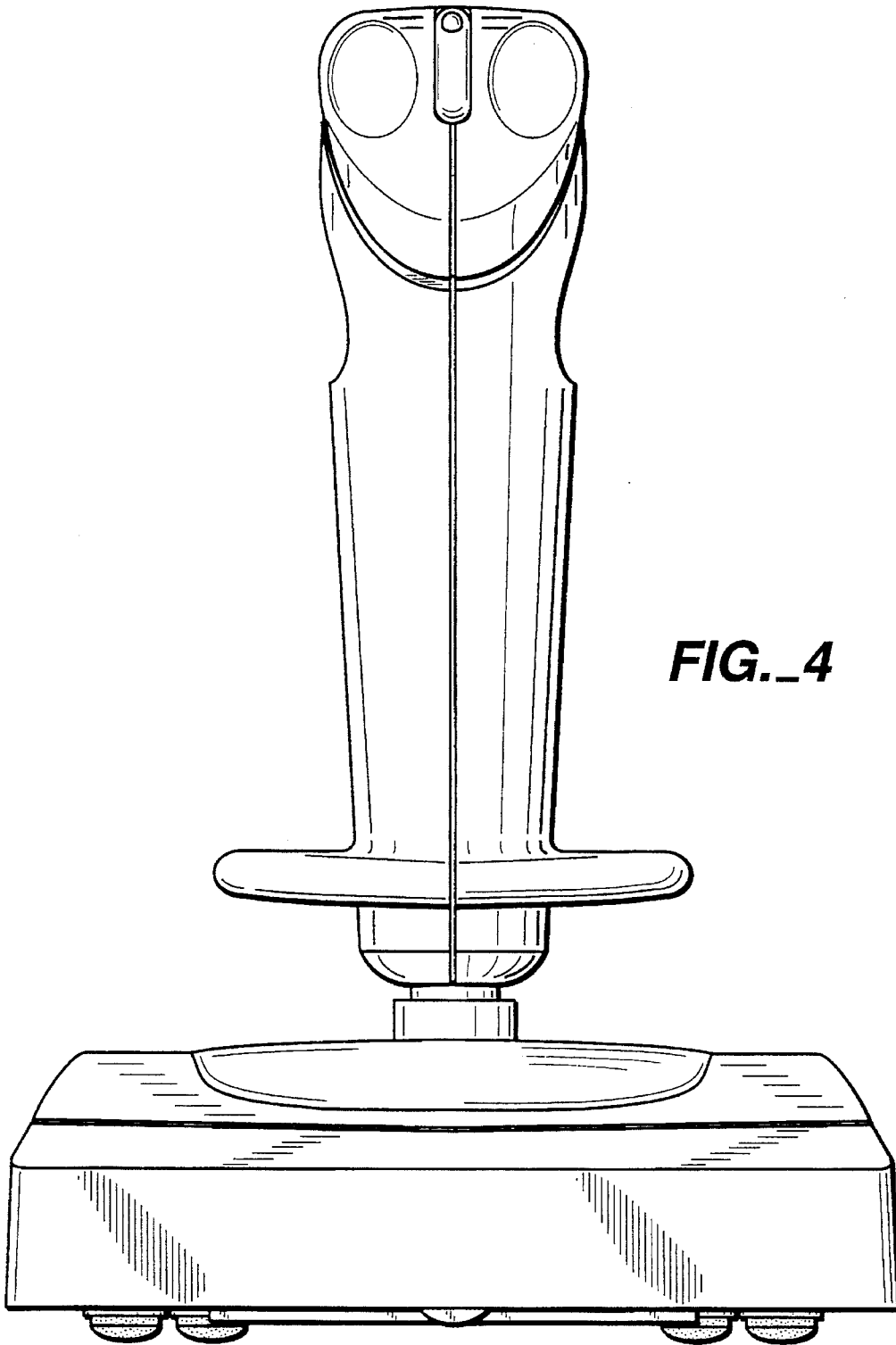


FIG. 4

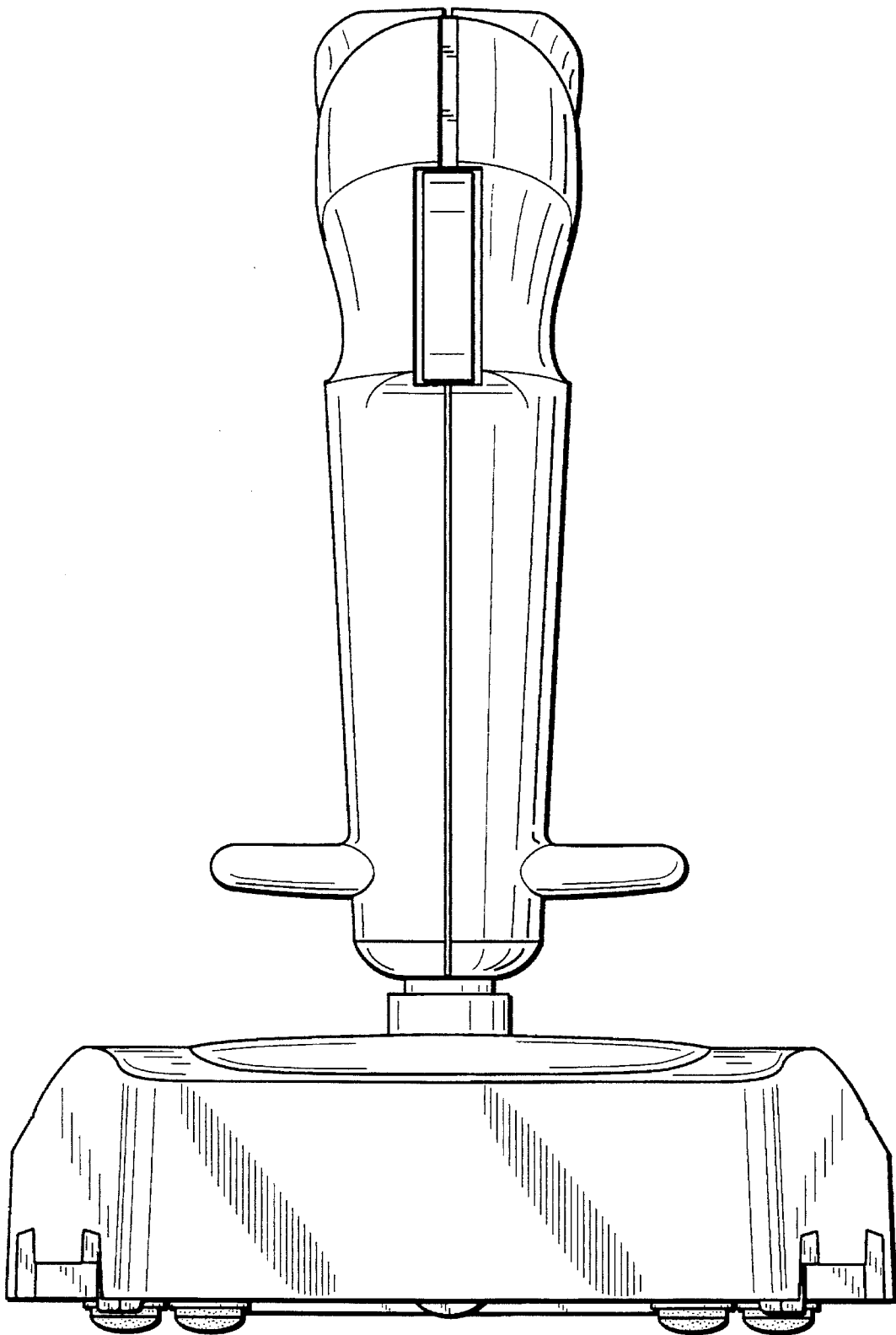


FIG. 5

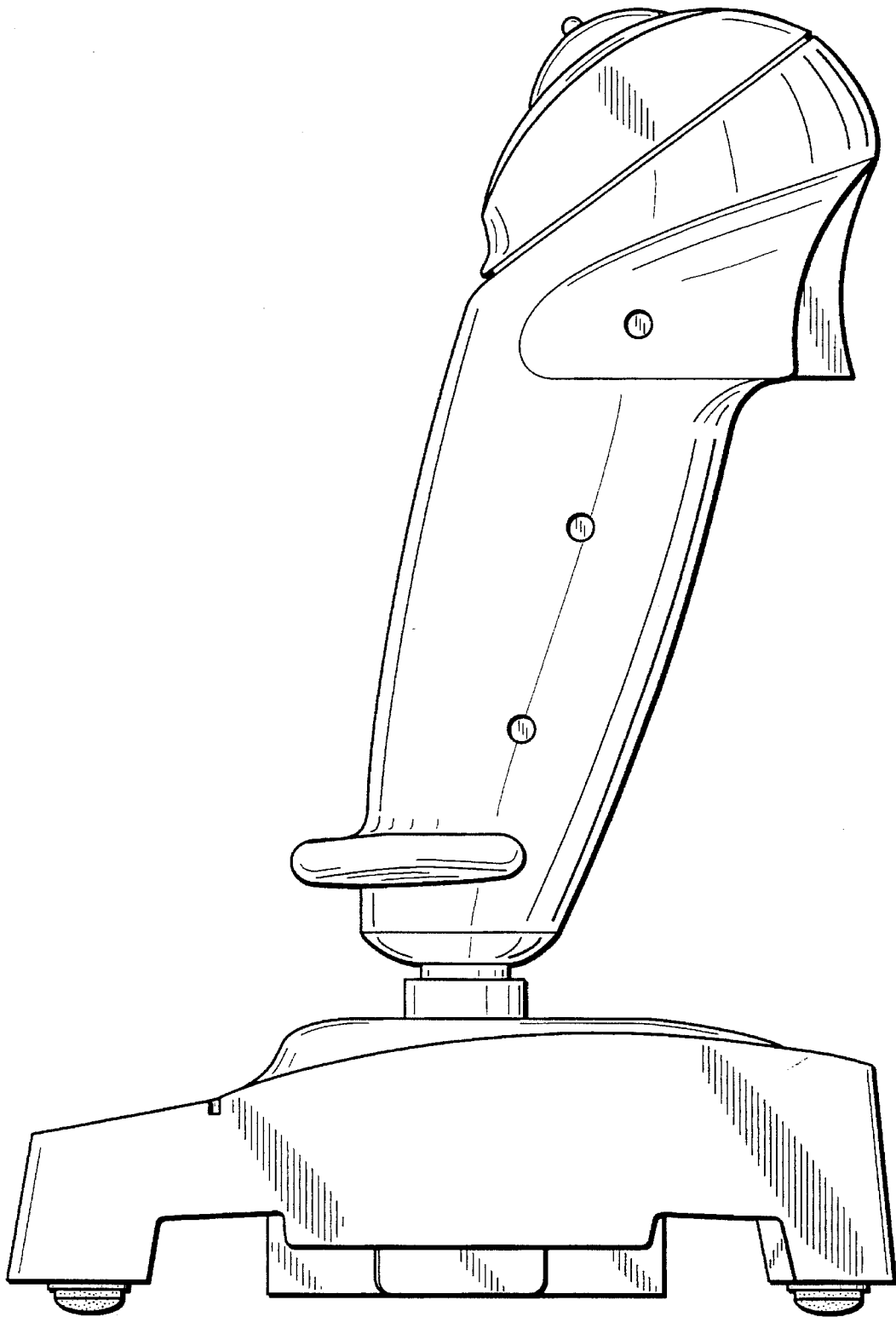


FIG._6

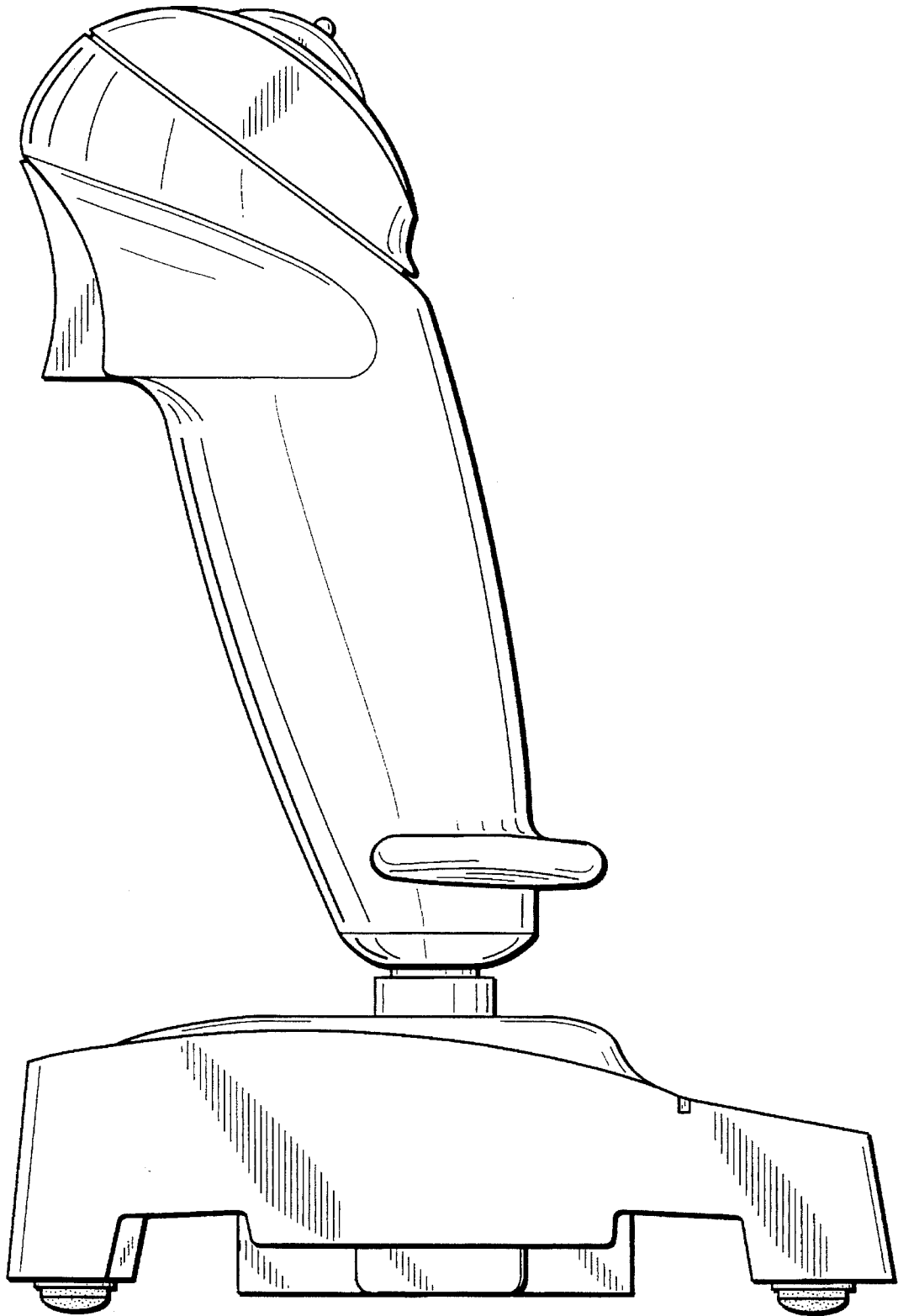


FIG. 7