



US00D414484S

# United States Patent [19] Oikawa

[11] Patent Number: **Des. 414,484**

[45] Date of Patent: **\*\* \*Sep. 28, 1999**

[54] **CONTROLLER FOR GAME MACHINE**

5,501,458	3/1996	Mallory	273/148 B
5,759,100	6/1998	Nakanishi	463/44 X
5,820,462	10/1998	Yokoi et al.	463/37

[75] Inventor: **Akitoshi Oikawa**, Tokyo, Japan

[73] Assignee: **Sega Enterprises, Ltd.**, Tokyo, Japan

[\*] Notice: This patent is subject to a terminal disclaimer.

[\*\*] Term: **14 Years**

[21] Appl. No.: **29/095,940**

[22] Filed: **Nov. 2, 1998**

### [30] Foreign Application Priority Data

May 14, 1998 [JP] Japan ..... 10-13796

[51] **LOC (6) Cl.** ..... **21-01**

[52] **U.S. Cl.** ..... **D14/117.9**

[58] **Field of Search** ..... D14/117.1, 117.5,  
D14/117.9; D21/324, 333; 463/1, 29-35,  
38, 43-47; 273/148 B

### [56] References Cited

#### U.S. PATENT DOCUMENTS

D. 377,057	12/1996	Lee	D14/117.9
D. 391,998	3/1998	Jwo	D14/117.9
D. 399,886	10/1998	Brase et al.	D21/329
D. 402,976	12/1998	Heung	D14/117.1

### OTHER PUBLICATIONS

Trustmaster Game Pad, Advt., Sep. 1996.  
Game Players, p. 36, Jan. 1996.

*Primary Examiner*—Prabhakar Deshmukh  
*Attorney, Agent, or Firm*—Dickstein Shapiro Morin and Oshinsky LLP

### [57] CLAIM

The ornamental design for the controller for game machine, as shown and described.

### DESCRIPTION

FIG. 1 is a front, top and right side perspective view of a controller for game machine showing our new design; FIG. 2 is a bottom, rear and left side perspective view thereof;

FIG. 3 is a front elevational view thereof;

FIG. 4 is a rear elevational view thereof;

FIG. 5 is a top plan view thereof;

FIG. 6 is a bottom plan view thereof;

FIG. 7 is a right side elevational view thereof; and,

FIG. 8 is a left side elevational view thereof.

**1 Claim, 7 Drawing Sheets**

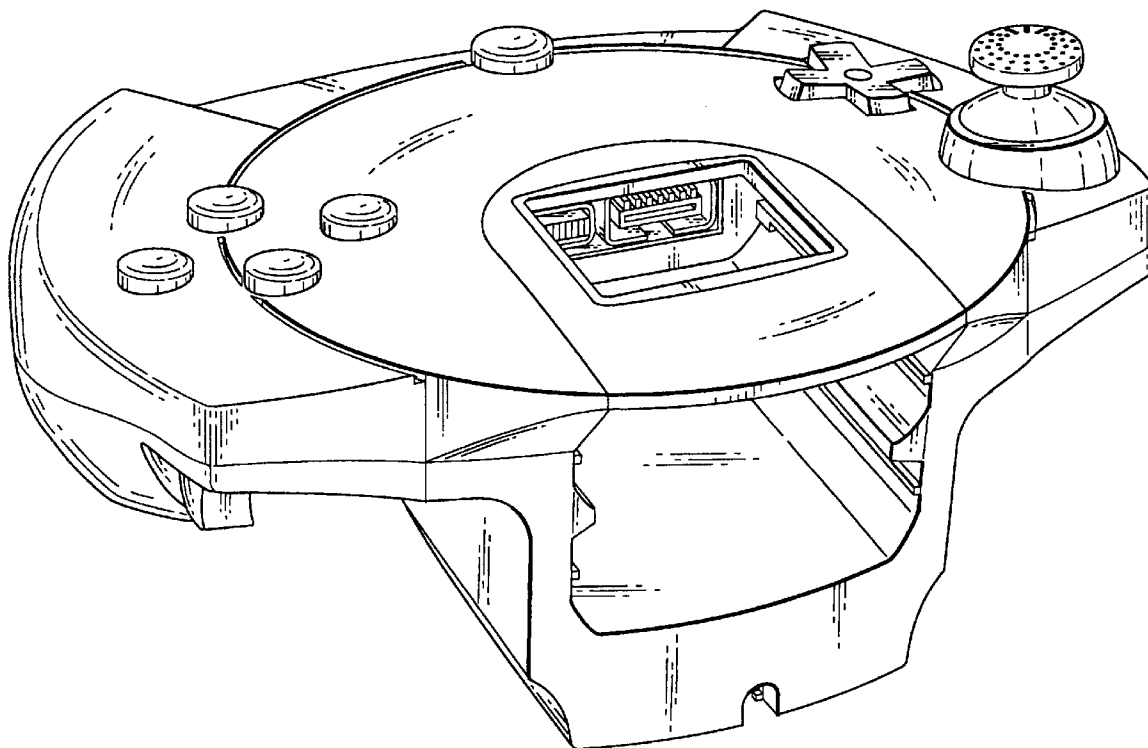


FIG. 1

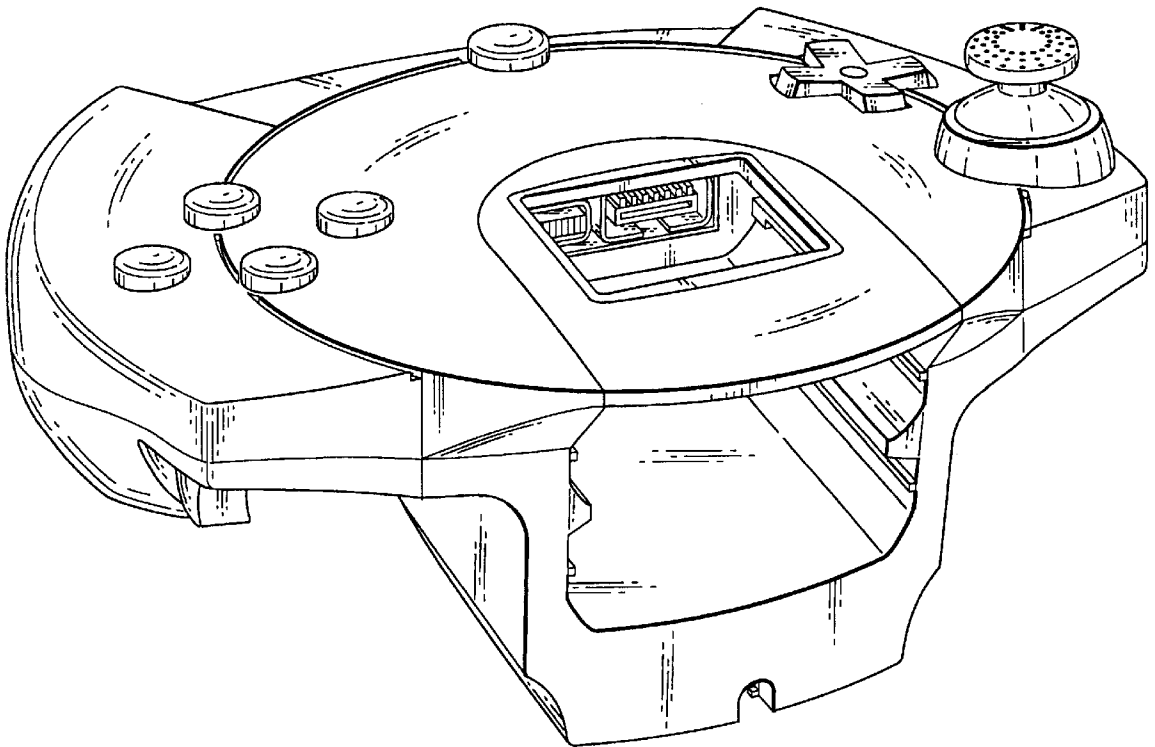


FIG. 2

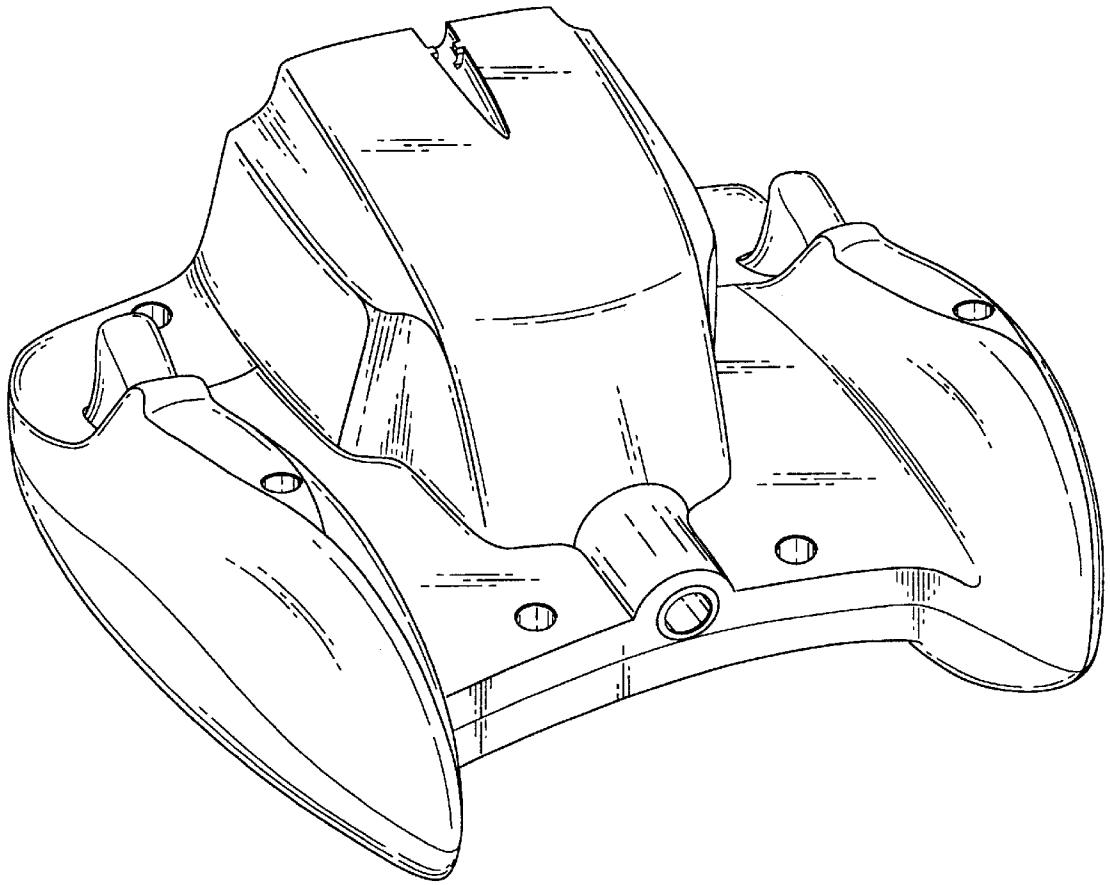


FIG. 3

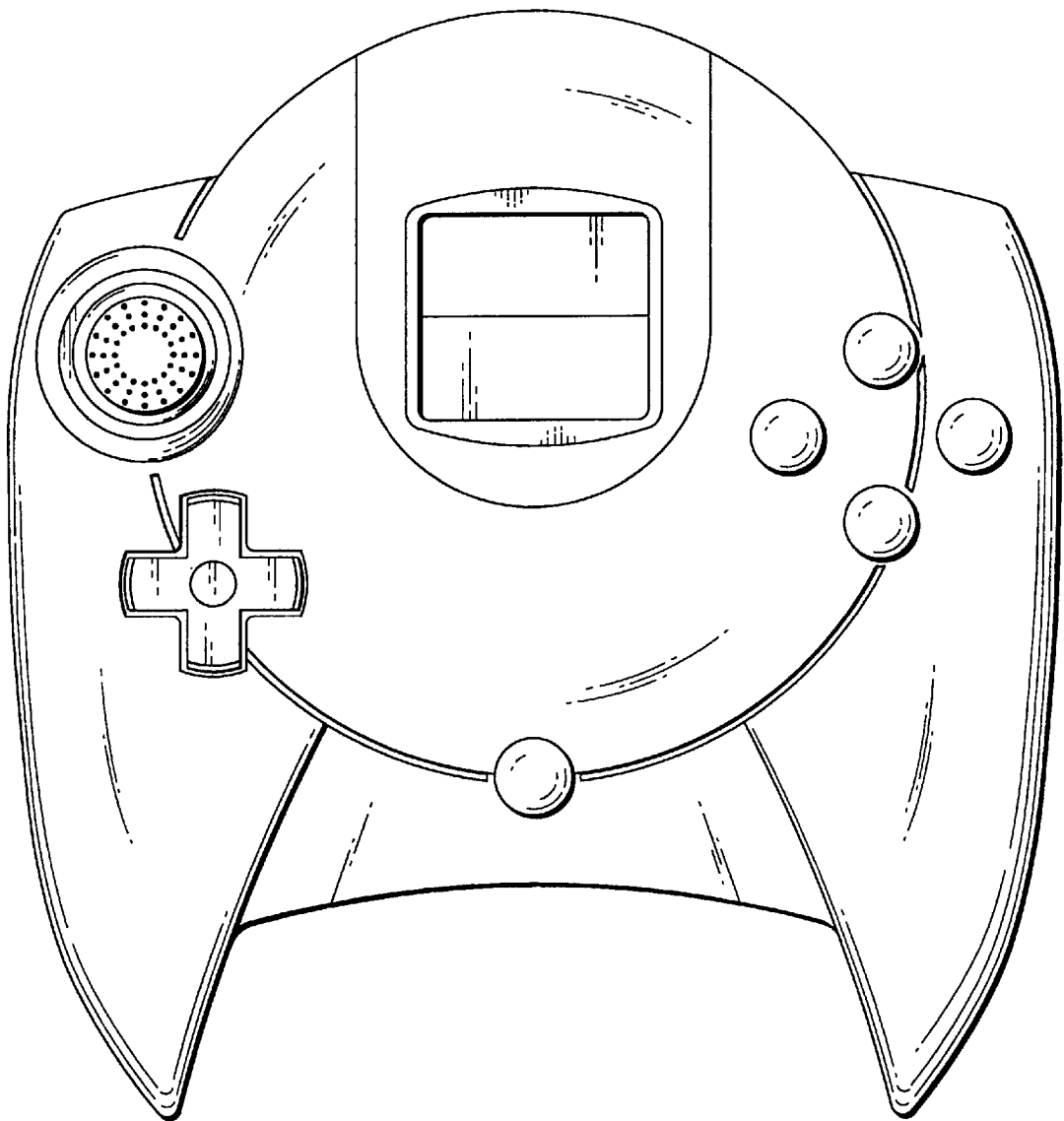


FIG. 4

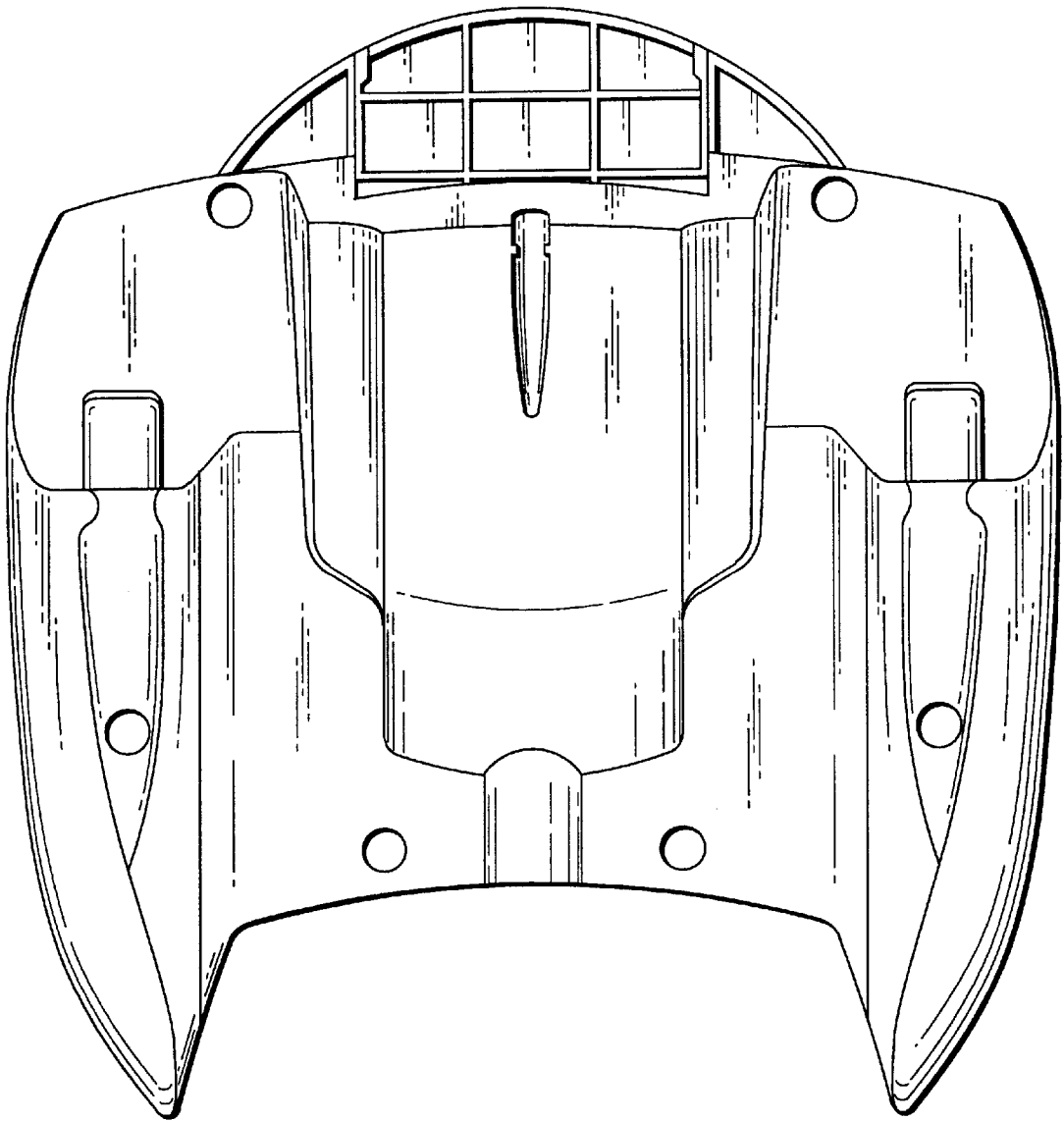


FIG. 5

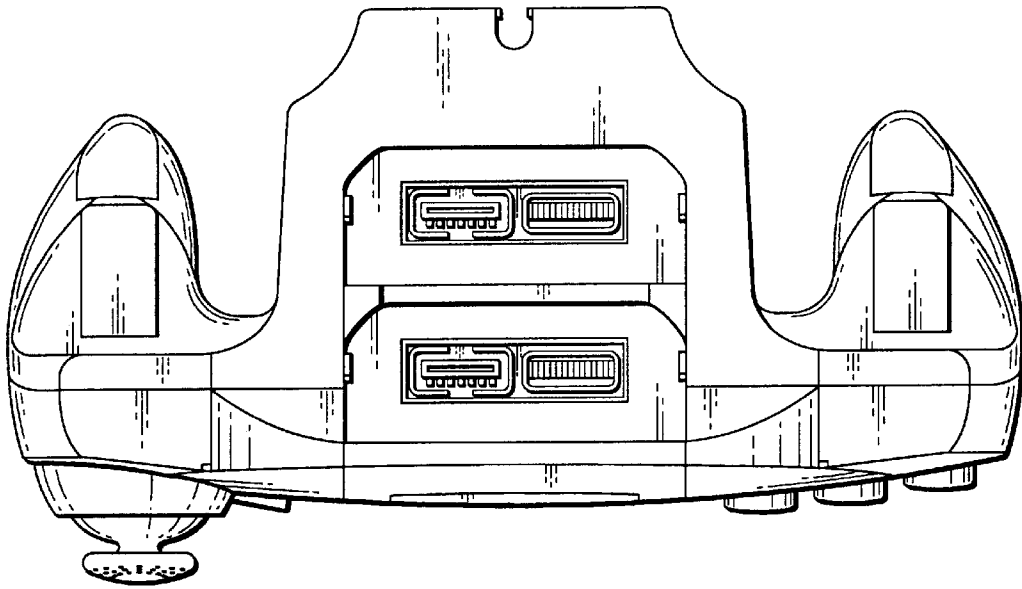


FIG. 6

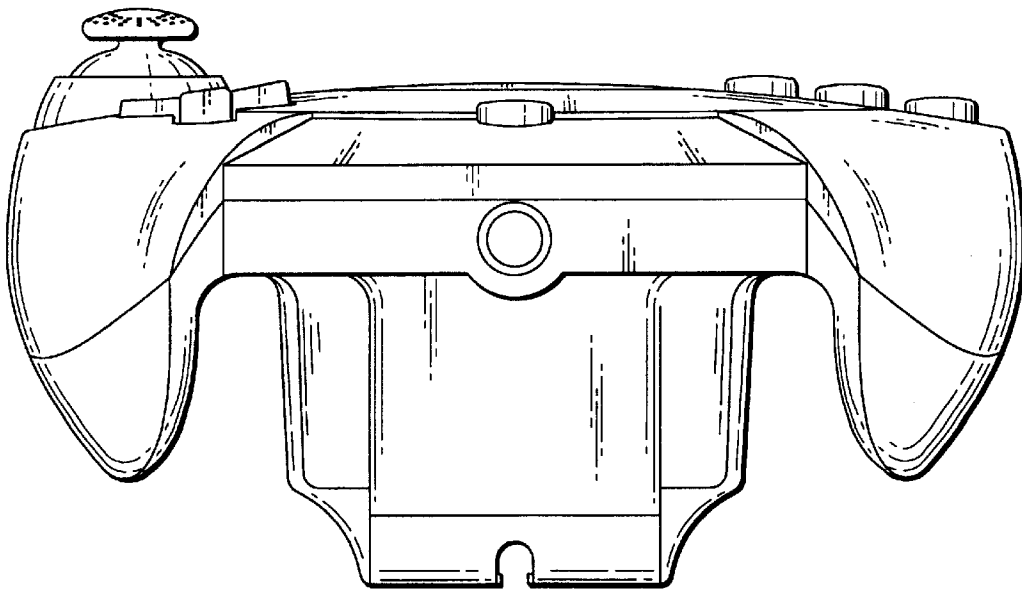


FIG. 7

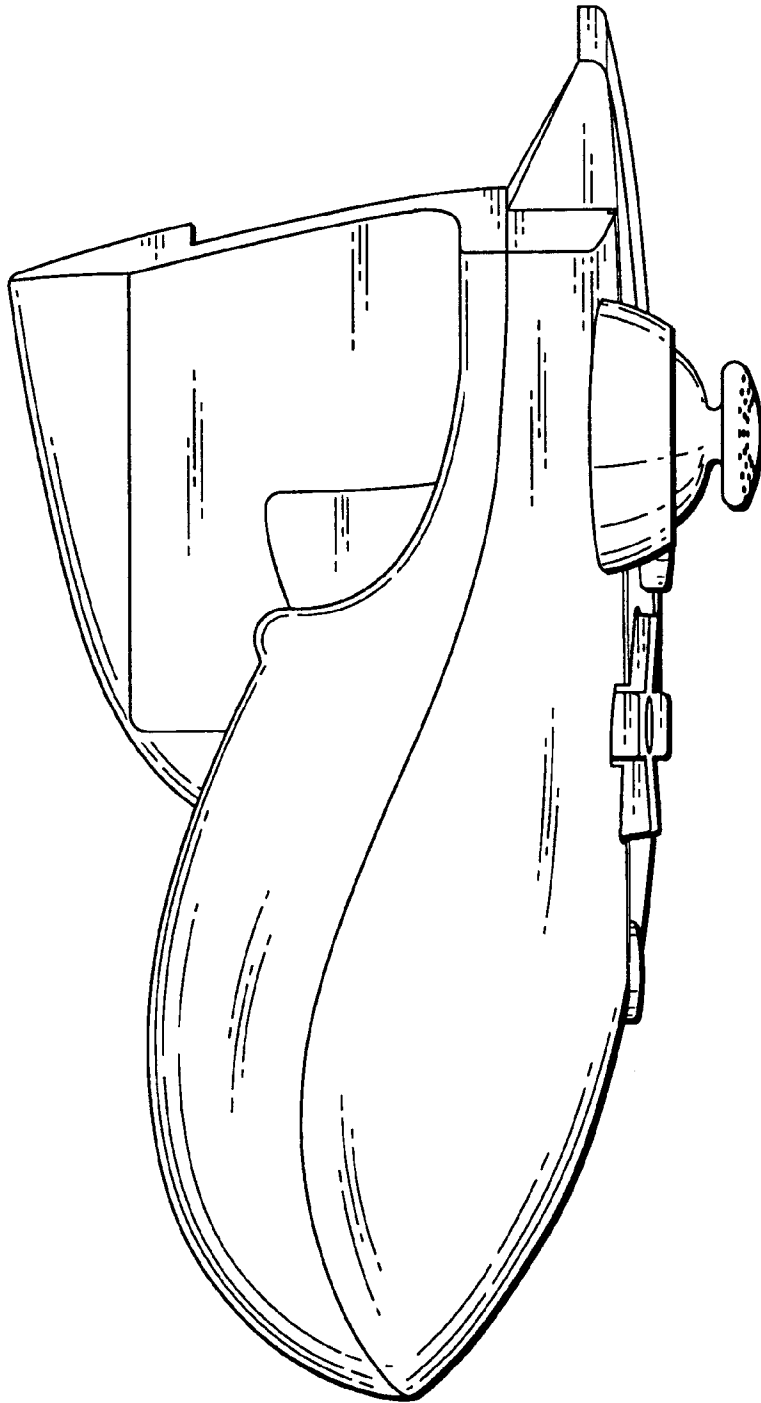


FIG. 8

