

**R-R-Roaring action  
for big game players.**

# SAFARI

## **Gremlin's newest video game clears the path to profits!**

### **Ready**

It's a ONE-PLAYER battle against the jungle. A hunter has 90 seconds to stalk and shoot four different kinds of wild animals. The more often he hits his prey, the higher the score. And the *animals* are out to get the *hunter*.

### **Aim**

The player operates two controls. One moves the hunter in the field: up, down, right and left. The other aims and fires the gun.

### **Fire**

Hit a snake or lion for 100 points, a 200-point boar or 300-point vulture. But be careful! If an animal strikes the hunter, he falls. And there's a time-lost penalty in returning the hunter to the safety of his hut. The animals move faster and faster until the hunt comes to a furious finish.

## **R-R-Real jungle sounds.**

Gremlin's famous audio engineering has recreated the jungle and its wild creatures with sound-sensations.



**Gremlin**

**The games people really play.**

Gremlin Industries, Inc.  
8401 Aero Drive, San Diego, CA 92123  
(714) 277-8700

# SAFARI

**Wins the hunt for paying players  
with sure-fire appeal.**

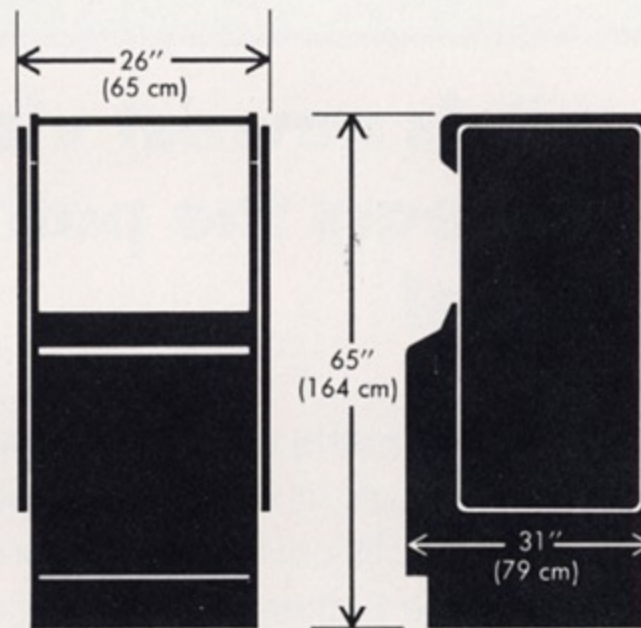


It's a jungle! A lone hunter faces four wild animals in blazing electronic combat. Game time is 90 seconds, with 30 seconds of extended play awarded for a score of 3,000 or more points.

When the hunter leaves the safety of his hut, he's fair game for the animals that charge across the screen. And the player loses game time if the hunter is struck down by an animal. The animals, safe from the hunter while they hide behind trees, come bounding out at increasing speed as the game moves on. Suspense, speed, surprises and sound combine to keep SAFARI in the center of the player and profit target!

## **Other Features:**

19" solid state TV monitor.  
Power: AC, 110V-115V-230V, 50/60 Hz, 130 watts. 3-wire cord with safety interlock on game access door. Grounding required.  
Weight: 187 lbs. (86 kg.)  
Solid state circuitry for dependable operation.  
Previous High Score feature displays the day's top score for all to challenge.



Anti-cheat programming.  
Dual coin mechanism.  
E-Z Adjust control panel.  
Gremlin's Surround-A-Sound.  
Easy to understand, complete maintenance manual provided with every game.

Distributor:

# Gremlin®

**The games people really play.**

Gremlin Industries, Inc.  
8401 Aero Drive, San Diego, CA 92123  
(714) 277-8700