

**This bulletin affects all cabinet versions of the following Type 1 and Type 2 Games:
House of the Dead 1&2, Lost World, Virtua Cop 1&2, Confidential Mission**

PROBLEM: Gun not shooting, and/or various tracking problems.

SOLUTION: Customer's abusing gun has caused connector inside gun to become detached from sensor bd.

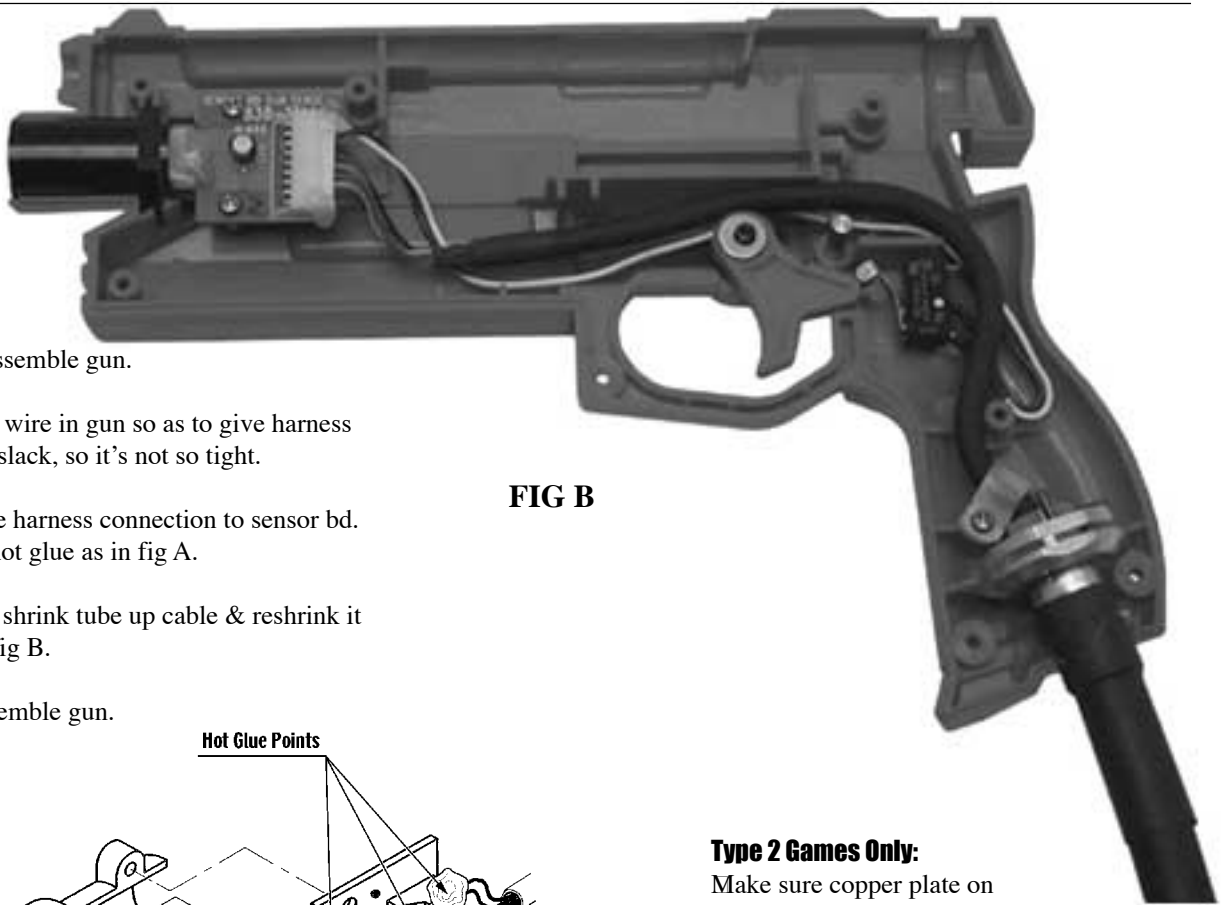


FIG B

- ① Dissassemble gun.
- ② Route wire in gun so as to give harness some slack, so it's not so tight.
- ③ Secure harness connection to sensor bd. with hot glue as in fig A.
- ④ Move shrink tube up cable & reshink it as in fig B.
- ⑤ Reassemble gun.

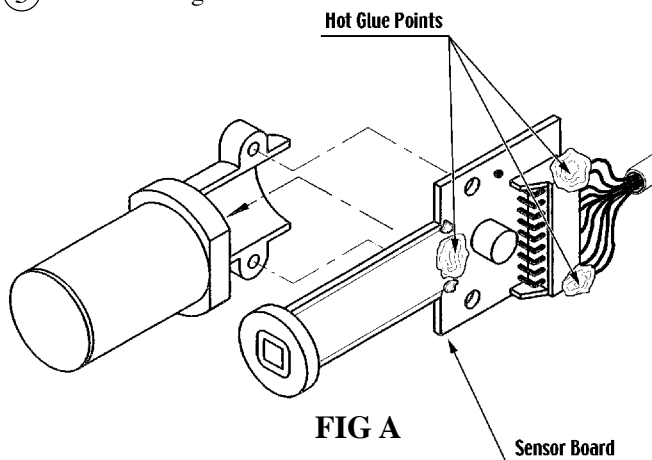


FIG A

Type 2 Games Only:

Make sure copper plate on sensor bd is attached correctly at it's two soldering points. Then secure it with hot glue.

Note: If the Wiring Harness appears worn in any way, replace immediatly to prevent failure and/or short circuit.