



SEGA CORPORATION

Nissay Aroma Building, 5-37-1, Kamata, Ohta-ku, Tokyo 144-8721, Japan
Phone: +81-3-5480-6582 Facsimile: +81-3-5480-6584

© SEGA

Ferrari

OFFICIAL LICENSED PRODUCT

- All trade marks used with permission of the owners.
- AMD, the AMD ARROW Logo and combinations thereof are trademarks of Advanced Micro Devices, Inc.

OutRun2 SPECIAL TOURS DX

PARTS CATALOG

420-7006-02



PARTS CATALOG

SEGA PRESENTS

OutRun2SP DX

OUTRUN2 SPECIAL TOURS



IMPORTANT

- Before using this product, read this manual carefully to understand the contents herein stated.
- After reading this manual, be sure to keep it near the product or in a convenient place for easy reference when necessary.

TABLE OF CONTENTS

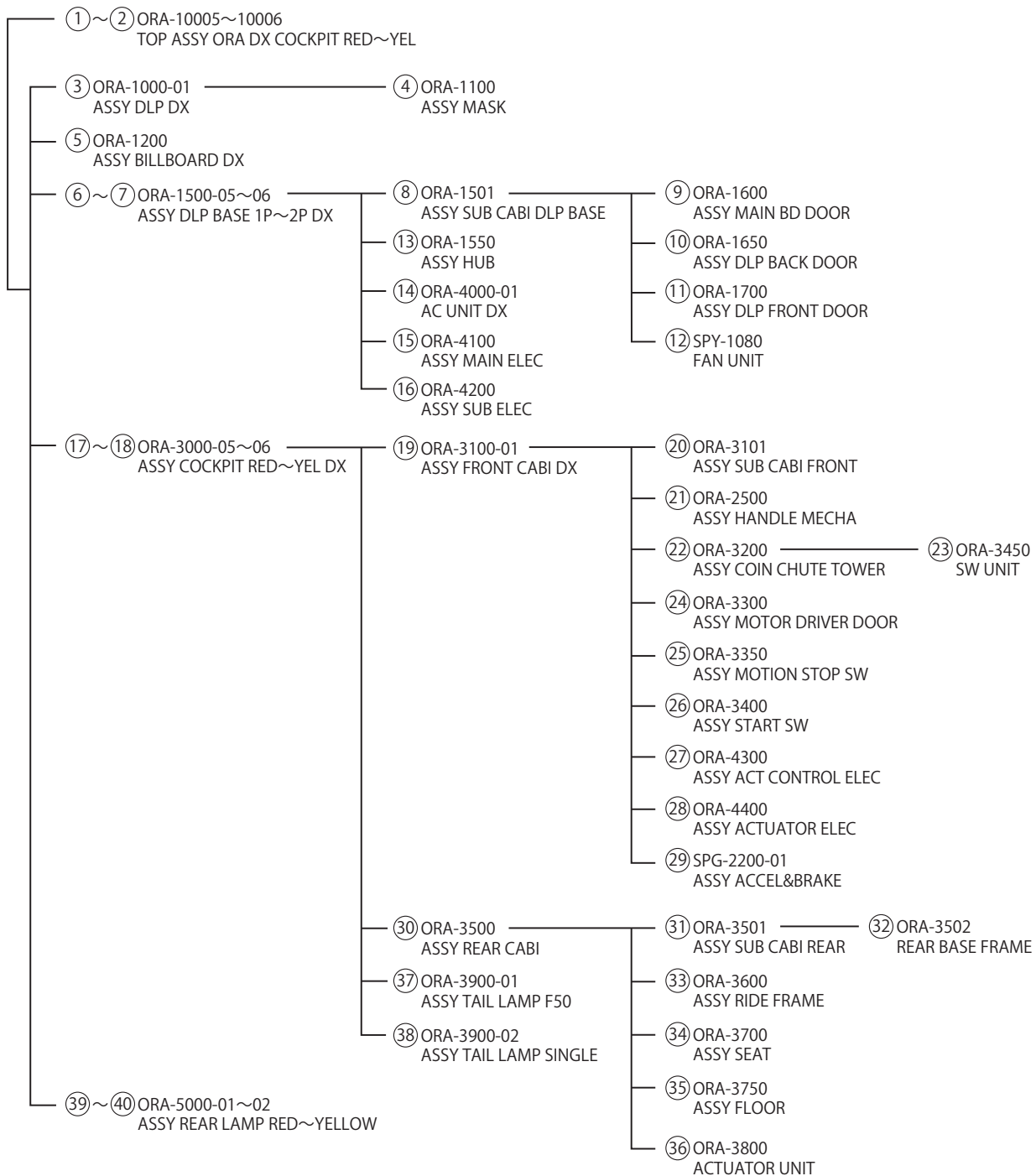
1	CABINET (COCKPIT, DLP, BILLBOARD)	1
①	TOP ASSY ORA DX COCKPIT RED (ORA-10005)	2
②	TOP ASSY ORA DX COCKPIT YEL (ORA-10006)	4
③	ASSY DLP DX (ORA-1000-01)	6
④	ASSY MASK (ORA-1100)	7
⑤	ASSY BILLBOARD DX (ORA-1200)	8
⑥	ASSY DLP BASE 1P DX (ORA-1500-05)	10
⑦	ASSY DLP BASE 2P DX (ORA-1500-06)	12
⑧	ASSY SUB CABI DLP BASE (ORA-1501)	14
⑨	ASSY MAIN BD DOOR (ORA-1600)	16
⑩	ASSY DLP BACK DOOR (ORA-1650)	17
⑪	ASSY DLP FRONT DOOR (ORA-1700)	18
⑫	FAN UNIT (SPY-1080)	19
⑬	ASSY HUB (ORA-1550)	20
⑭	AC UNIT DX (ORA-4000-01)	21
⑮	ASSY MAIN ELEC (ORA-4100)	23
⑯	ASSY SUB ELEC (ORA-4200)	24
⑰	ASSY COCKPIT RED DX (ORA-3000-05)	26
⑱	ASSY COCKPIT YEL DX (ORA-3000-06)	28
⑲	ASSY FRONT CABI DX (ORA-3100-01)	30
⑳	ASSY SUB CABI FRONT (ORA-3101)	33
㉑	ASSY HANDLE MECHA (ORA-2500)	34
㉒	ASSY COIN CHUTE TOWER (ORA-3200)	36
㉓	SW UNIT (ORA-3450)	38
㉔	ASSY MOTOR DRIVER DOOR (ORA-3300)	39
㉕	ASSY MOTION STOP SW (ORA-3350)	40
㉖	ASSY START SW (ORA-3400)	41
㉗	ASSY ACT CONTROL ELEC (ORA-4300)	42
㉘	ASSY ACTUATOR ELEC (ORA-4400)	44
㉙	ASSY ACCEL&BRAKE (SPG-2200-01)	46
㉚	ASSY REAR CABI (ORA-3500)	48
㉛	ASSY SUB CABI REAR (ORA-3501)	50
㉜	REAR BASE FRAME (ORA-3502)	52

③③	ASSY RIDE FRAME (ORA-3600).....	53
③④	ASSY SEAT(ORA-3700).....	55
③⑤	ASSY FLOOR(ORA-3750)	57
③⑥	ACTUATOR UNIT(ORA-3800)	58
③⑦	ASSY TAIL LAMP F50 (ORA-3900-01).....	59
③⑧	ASSY TAIL LAMP SINGLE (ORA-3900-02).....	60
③⑨	ASSY REAR LAMP RED (ORA-5000-01).....	61
④①	ASSY REAR LAMP YELLOW (ORA-5000-02)	63

2 ACCESSORY KIT (STEP) 65

①	ORA DX ACCESSORIES KIT US (XKT-1589-EX3).....	66
②	ASSY STEP SIDE L EXP (ORA-5200-01).....	68
③	ASSY STEP SIDE R EXP (ORA-5300-01)	69

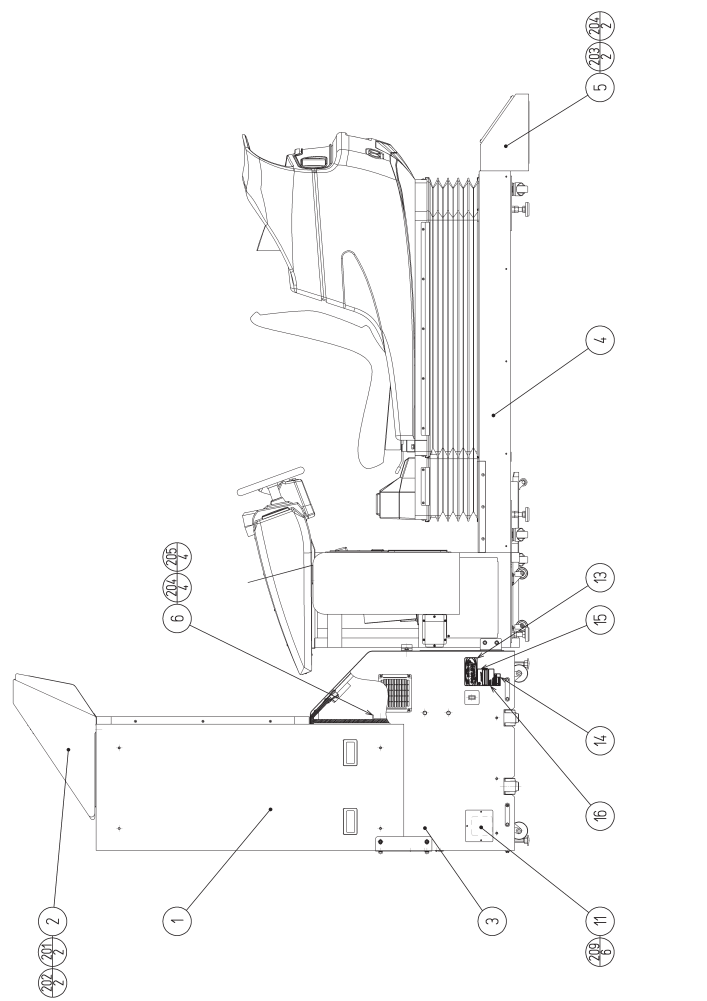
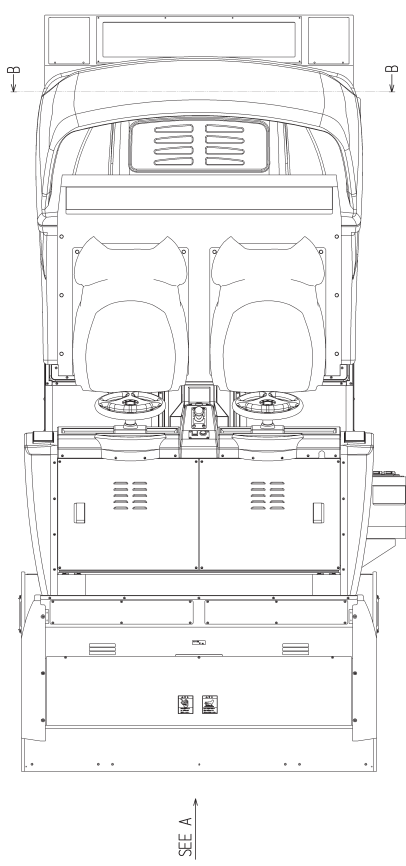
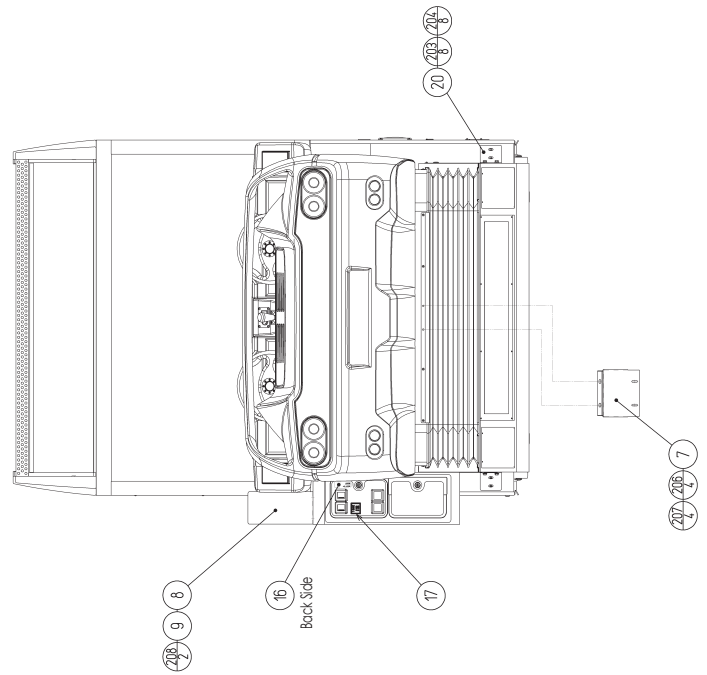
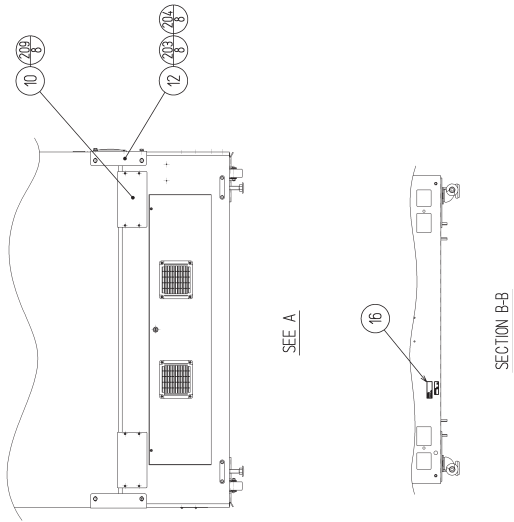
1 CABINET (COCKPIT, DLP, BILLBOARD)



1 TOP ASSY ORA DX COCKPIT RED (ORA-10005)

(D-1/2)

CABINET (COCKPIT, DLP, BILLBOARD)



1 TOP ASSY ORA DX COCKPIT RED (ORA-10005)

(D-2/2)

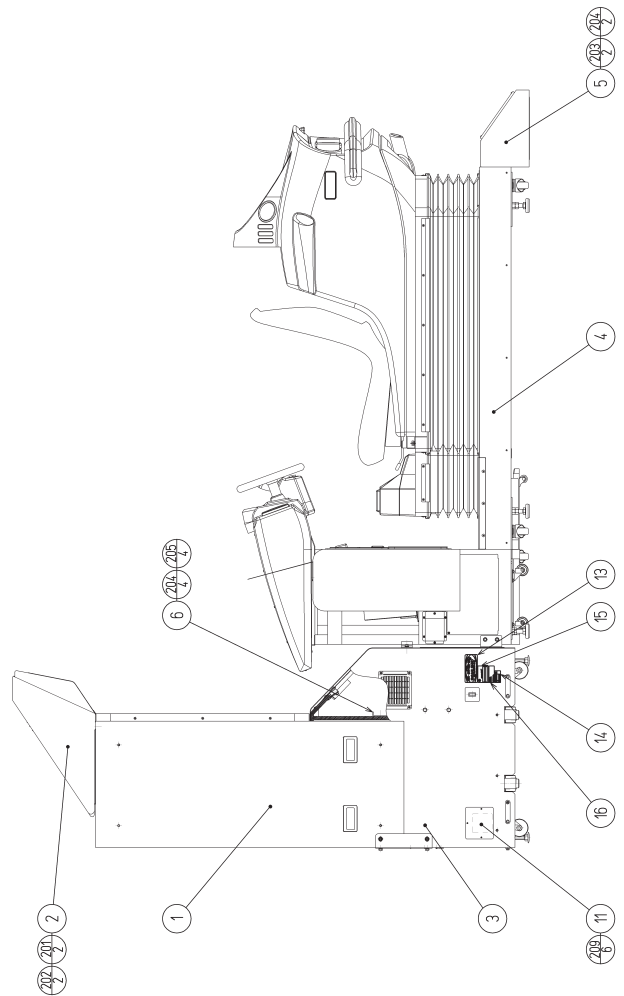
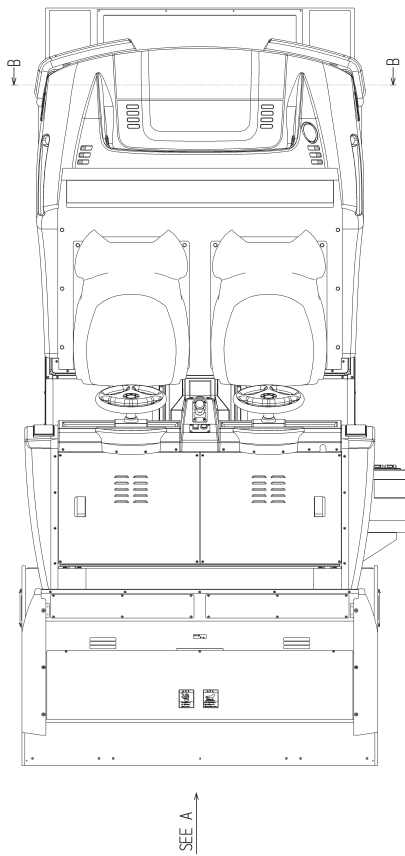
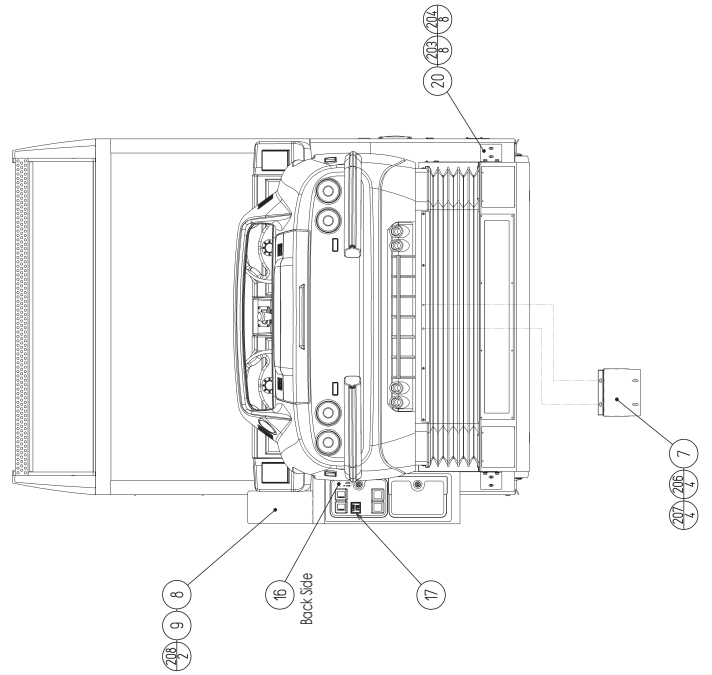
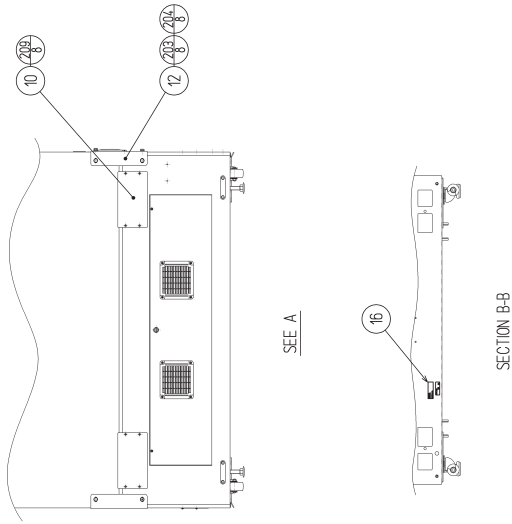
ITEM NO.	PART NO.	DESCRIPTION	NOTE
1	ORA-1000-01	ASSY DLP DX	
2	ORA-1200	ASSY BILLBOARD DX	
3	ORA-1500-05	ASSY DLP BASE 1P DX	
4	ORA-3000-05	ASSY COCKPIT RED DX	
5	ORA-5000-01	ASSY REAR LAMP RED	
6	ORA-0010	DLP HOLDER FRONT	
7	ORA-0016X	SHIPPING BRKT REAR	
8	ORA-0022	INSTR BASE	
9	ORA-0023-01	STICKER SUB INSTR ENG	
10	ORA-1514	CASTER LID	
11	ORA-1516	WIRE HOLE LID	
12	DOC-1182	PROJECTION JOINT A	
18	SGM-4568	POLY COVER 900X1600X900	
20	ORA-3128	FRONT CABI JOINT BRKT	
201	030-000620-S	HEX BLT W/S M6x20	
202	068-652016	FLT WSHR 6.5-20 x1.6	
203	030-000820-SB	HEX BLT W/S BLK M8x20	
204	068-852216-0B	FLT WSHR BLK 8.5-22x1.6	
205	030-000845-S	HEX BLT W/S M8x45	
206	030-000616-SB	HEX BLT W/S BLK M6x16	
207	060-F00600-0B	FLT WSHR BLK M6	
208	000-P00408-WB	M SCR PH W/FS BLK M4x8	
209	000-P00416-WB	M SCR PH W/FS BLK M4x16	
210	050-H00400	HEX NUT M4	
211	060-S00400	SPR WSHR M4	
212	060-F00400	FLT WSHR M4	
213	000-P00408	M SCR PH M4x8	
/	105-5590	SHIPPING BRKT	
/	421-6690-12	STICKER 208V	
/	440-WS0286-EG	STICKER W DO NOT OPEN ENG	
/	105-5496	PL STICKER PLATE UL A	
/	011-T03512-0B	TAP SCR TH BLK 3.5x12	
/	421-12280-01	STICKER UL FOR ORA DX RED	
/	421-6119-91	STICKER FCC	
/	421-12170	STICKER RATING SUIT ALL	

1 CABINET (COCKPIT, DLP, BILLBOARD)

② TOP ASSY ORA DX COCKPIT YEL (ORA-10006)

(D-1/2)

→ CABINET (COCKPIT, DLP, BILLBOARD)

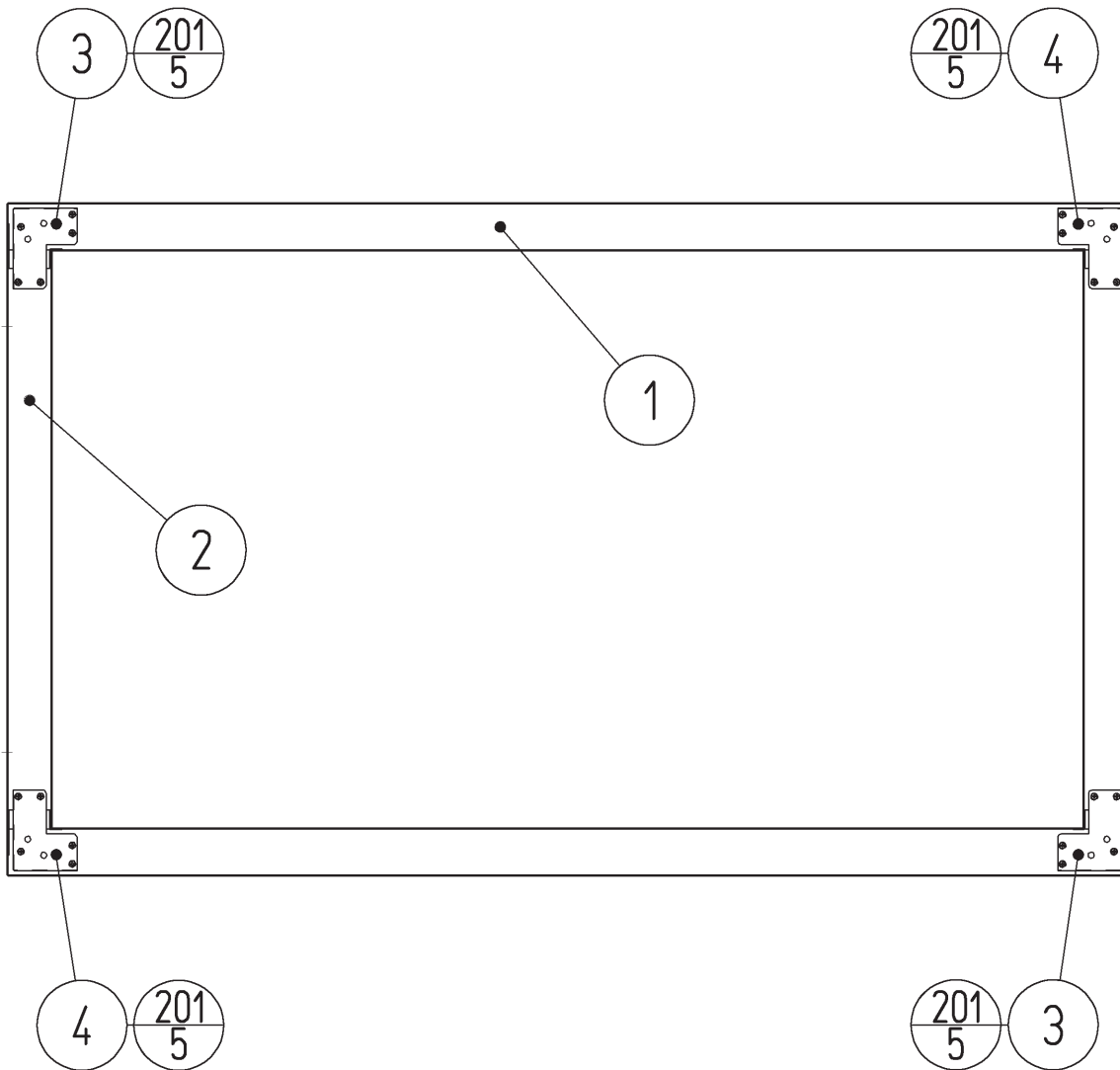


2 TOP ASSY ORA DX COCKPIT YEL (ORA-10006)**(D-2/2)**

ITEM NO.	PART NO.	DESCRIPTION	NOTE
1	ORA-1000-01	ASSY DLP DX	
2	ORA-1200	ASSY BILLBOARD DX	
3	ORA-1500-06	ASSY DLP BASE 2P DX	
4	ORA-3000-06	ASSY COCKPIT YEL DX	
5	ORA-5000-02	ASSY REAR LAMP YELLOW	
6	ORA-0010	DLP HOLDER FRONT	
7	ORA-0016X	SHIPPING BRKT REAR	
8	ORA-0022	INSTR BASE	
9	ORA-0023-01	STICKER SUB INSTR ENG	
10	ORA-1514	CASTER LID	
11	ORA-1516	WIRE HOLE LID	
12	DOC-1182	PROJECTION JOINT A	
18	SGM-4568	POLY COVER 900X1600X900	
20	ORA-3128	FRONT CABI JOINT BRKT	
201	030-000620-S	HEX BLT W/S M6x20	
202	068-652016	FLT WSHR 6.5-20 x1.6	
203	030-000820-SB	HEX BLT W/S BLK M8x20	
204	068-852216-0B	FLT WSHR BLK 8.5-22x1.6	
205	030-000845-S	HEX BLT W/S M8x45	
206	030-000616-SB	HEX BLT W/S BLK M6x16	
207	060-F00600-0B	FLT WSHR BLK M6	
208	000-P00408-WB	M SCR PH W/FS BLK M4x8	
209	000-P00416-WB	M SCR PH W/FS BLK M4x16	
210	050-H00400	HEX NUT M4	
211	060-S00400	SPR WSHR M4	
212	060-F00400	FLT WSHR M4	
213	000-P00408	M SCR PH M4x8	
/	105-5590	SHIPPING BRKT	
/	421-6690-12	STICKER 208V	
/	440-WS0286-EG	STICKER W DO NOT OPEN ENG	
/	105-5496	PL STICKER PLATE UL A	
/	011-T03512-0B	TAP SCR TH BLK 3.5x12	
/	421-12280-01	STICKER UL FOR ORA DX RED	
/	421-6119-91	STICKER FCC	
/	421-12170	STICKER RATING SUIT ALL	

1 CABINET (COCKPIT, DLP, BILLBOARD)

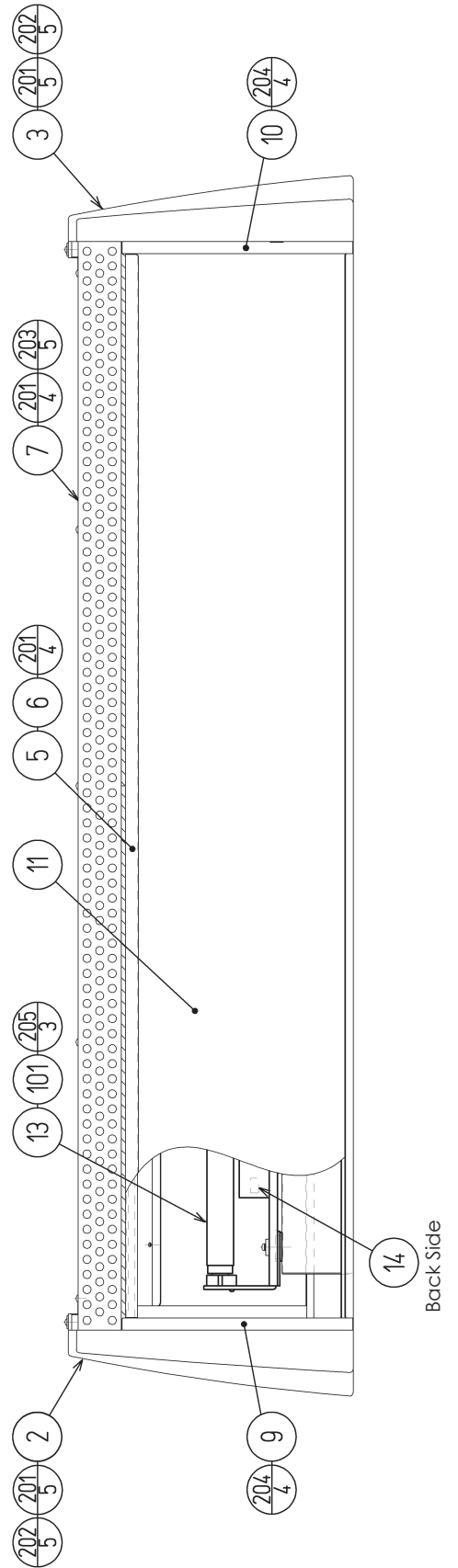
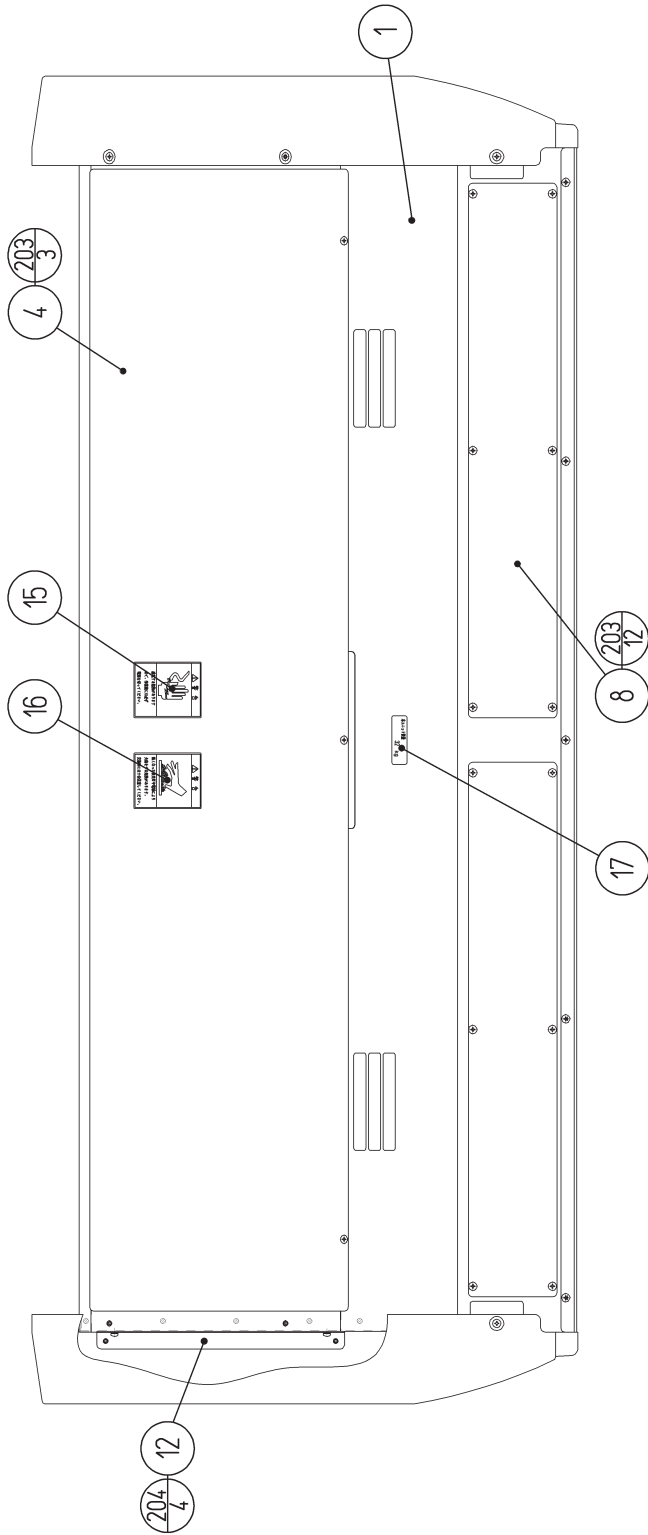
4 ASSY MASK (ORA-1100)



ITEM NO.	PART NO.	DESCRIPTION	NOTE
1	ORA-1101	UPPER MASK	
2	HDF-0533	SIDE MASK	
3	HDF-0534	MASK JOINT BRKT L	
4	HDF-0535	MASK JOINT BRKT R	
201	000-P00408-W	M SCR PH W/FS M4x8	

5 ASSY BILLBOARD DX (ORA-1200)

(D-1/2)



5 ASSY BILLBOARD DX (ORA-1200)**(D-2/2)**

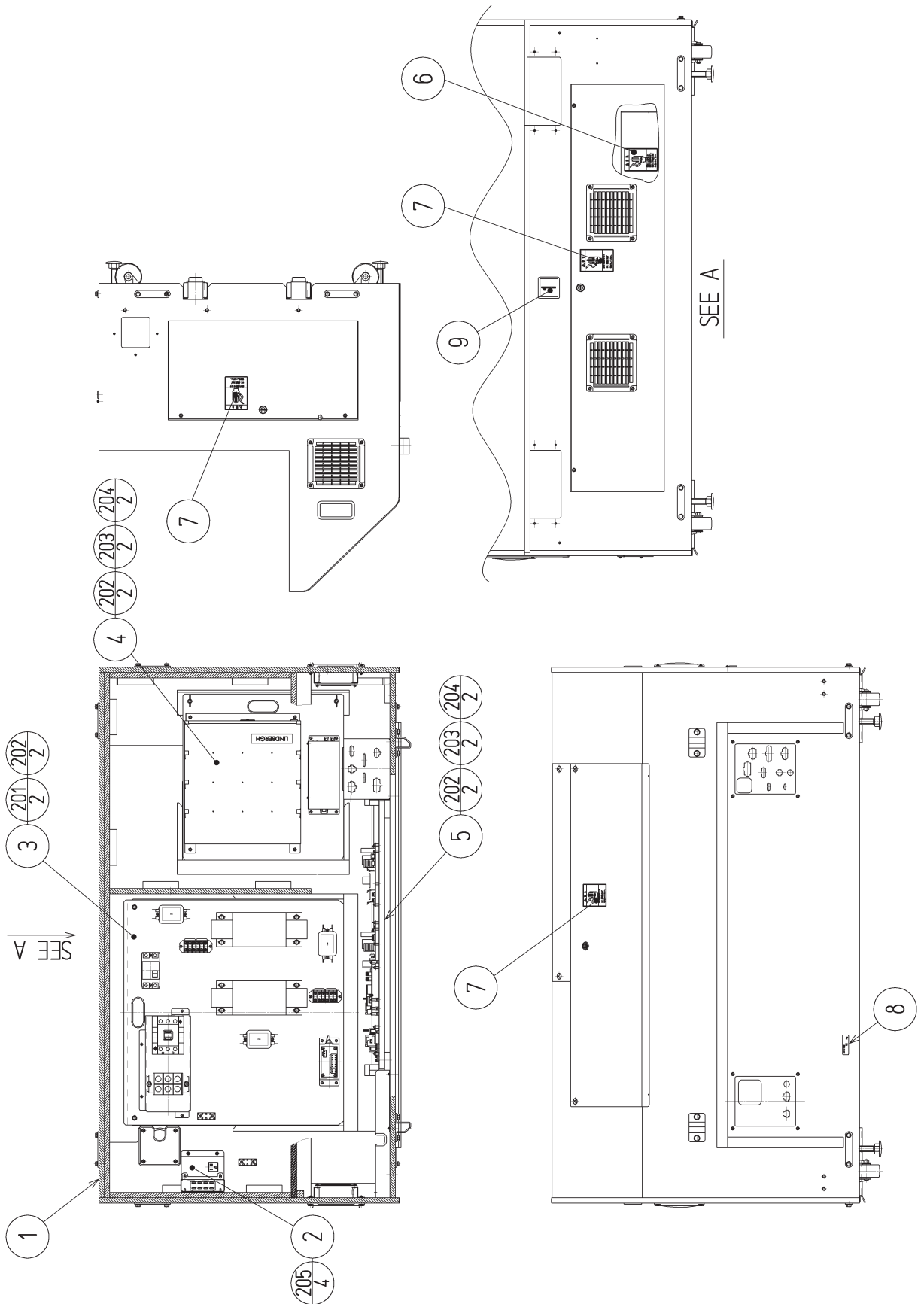
ITEM NO.	PART NO.	DESCRIPTION	NOTE
1	ORA-1201X	BILLBOARD BOX	
2	ORA-1202	SIDE COVER L	
3	ORA-1203	SIDE COVER R	
4	ORA-1204	BILLBOARD LID	
5	ORA-1205	UPPER SASH	
6	ORA-1206	LIGHT PLATE	
7	ORA-1207	UPPER COVER	
8	ORA-1208	UPPER LID	
9	ORA-1209	SIDE SASH L	
10	ORA-1210	SIDE SASH R	
11	ORA-1211-01	BILLBOARD PLATE UL	
12	VOT-0208X	SIDE COVER BRKT	
13	253-5457	FL HOLDER	
14	421-7501-10	STICKER FL 40W	
15	440-WS0002XEG	STICKER W POWER OFF ENG	
16	440-WS0012XEG	STICKER W HIGH TEMP ENG	
101	390-6850-40	ASSY FL40W UL	
102	280-5277	CORD CLAMP 18	
201	000-T00412-0B	M SCR TH BLK M4x12	
202	068-441616-0B	FLT WSHR BLK 4.4-16x1.6	
203	000-T00408-0B	M SCR TH BLK M4x8	
204	000-P00408-W	M SCR PH W/FS M4x8	
205	000-P00430-W	M SCR PH W/FS M4x30	
301	ORA-65023	WH AC120V BILLBOARD FL UL	

1 CABINET (COCKPIT, DLP, BILLBOARD)

⑥ ASSY DLP BASE 1P DX (ORA-1500-05)

(D-1/2)

→ CABINET (COCKPIT, DLP, BILLBOARD)



6 ASSY DLP BASE 1P DX (ORA-1500-05)

(D-2/2)

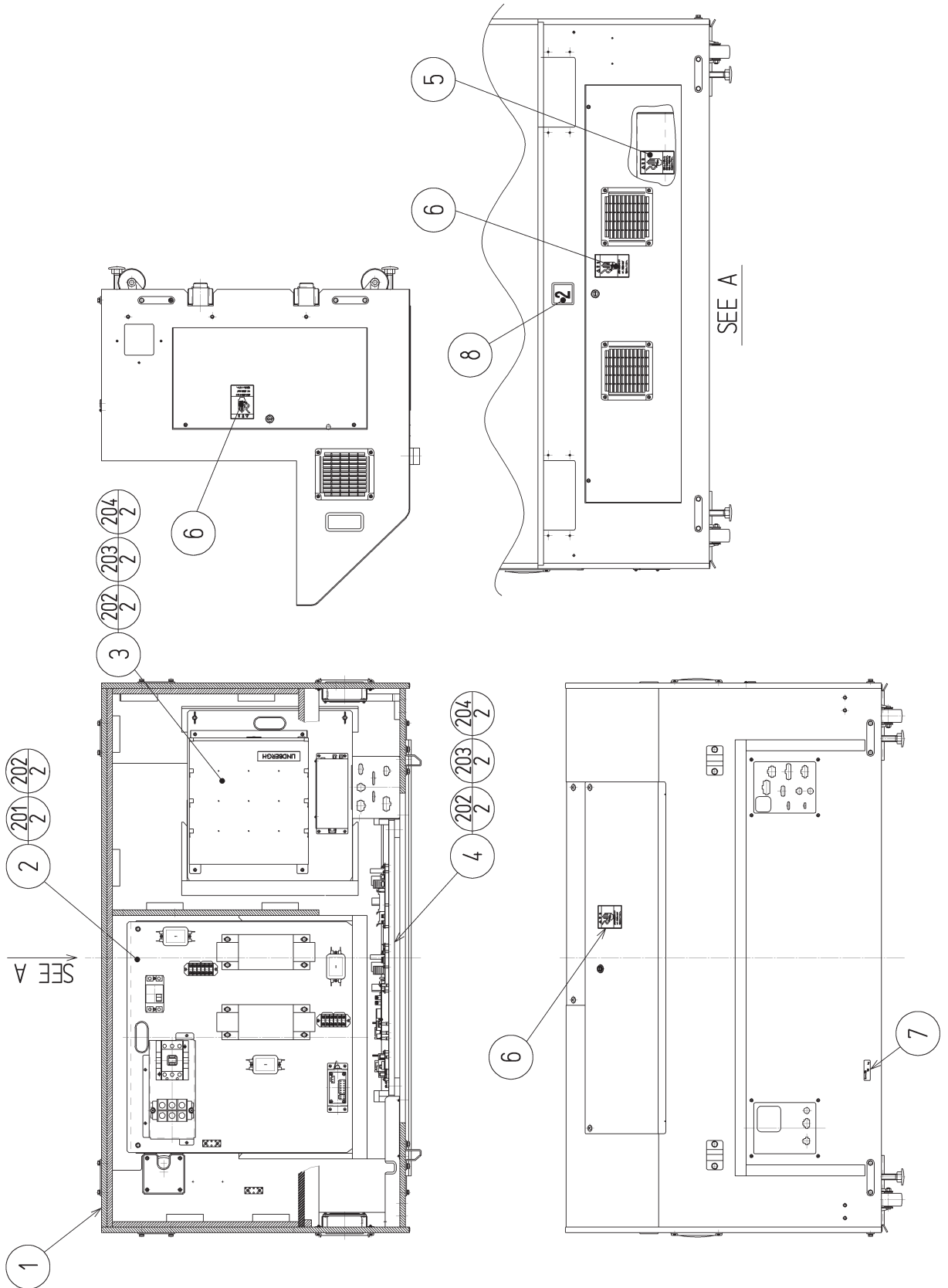
ITEM NO.	PART NO.	DESCRIPTION	NOTE
1	ORA-1501	ASSY SUB CABI DLP BASE	
2	ORA-1550	ASSY HUB	
3	ORA-4000-01	AC UNIT DX	
4	ORA-4100	ASSY MAIN ELEC	
5	ORA-4200	ASSY SUB ELEC	
6	440-DS0313-EG	STICKER D HIGH VOLTAGE ENG	
7	440-WS0002XEG	STICKER W POWER OFF ENG	
9	421-9950-01	STICKER CABINET NUMBER 1	
101	600-7141-91-200	CABLE JVS TYPE A-B 200CM	
102	600-7009-2000	ASSY RGB CA D-SUB 15P 2000MM	
103	211-5258-06	CONN PLUG JST 6P SMP-06V NC	
201	030-000630-S	HEX BLT W/S M6x30	
202	060-F00600	FLT WSHR M6	
203	032-000630	WING BLT M6x30	
204	060-S00600	SPR WSHR M6	
205	011-T03512	TAP SCR TH 3.5x12	
301	ORA-61001X	WH DLP AC200V AC UNIT OUT	
302	ORA-61006X	WH AC100V SUB ELEC IN	
303	ORA-61009X	WH DLP FAN L	
304	ORA-61010X	WH DLP EARTH SUB ELEC	
305	ORA-61016	WH DLP MAIN TO SUB ELEC DC	
306	ORA-61019	WH COIN I/O & SOUND	
307	ORA-61020	WH DLP INTERFACE I/O EXT	
308	ORA-61027X	WH FRONT I/O & RFID	
309	ORA-61041	WH STR ENCODER EXT	
310	ORA-61046	WH STR MOTOR POWER EXT	
311	ORA-61061	WH DLP POWER	
312	ORA-61066X	WH DLP AC DISTRIBUTION	
313	ORA-65005	WH CPT SW AC UNIT IN UL	
314	ORA-61096X	WH DLP SERIAL	
316	ORA-61152X	WH EARTH DLP TO FRONT	
317	ORA-61163X	WH DLP FAN R	
318	ORA-65006	WH CPT SW IN UL	
319	ORA-61130X	WH SOUND GAME BD TO SOUND AMP	
320	ORA-61065	WH EARTH DLP	
321	ORA-61301X	WH AC100V AC UNIT DLP	
323	ORA-61110Y	WH RCA DLP1 TO 1	
324	ORA-61120	WH LAN DLP1 TO 1	
325	ORA-61121	WH LAN DLP1 TO 2	
/	ORA-62002X	WH DLP BASE AC120V EXP	
/	ORA-61191	WH AC24V DLP BASE	
/	ORA-64000	WH AC POWER COCKPIT UL	
/	270-5117	FERRITE CORE TDK ZCAT3035-1330	

1 CABINET (COCKPIT, DLP, BILLBOARD)

7 ASSY DLP BASE 2P DX (ORA-1500-06)

(D-1/2)

CABINET (COCKPIT, DLP, BILLBOARD)



7 ASSY DLP BASE 2P DX (ORA-1500-06)

(D-2/2)

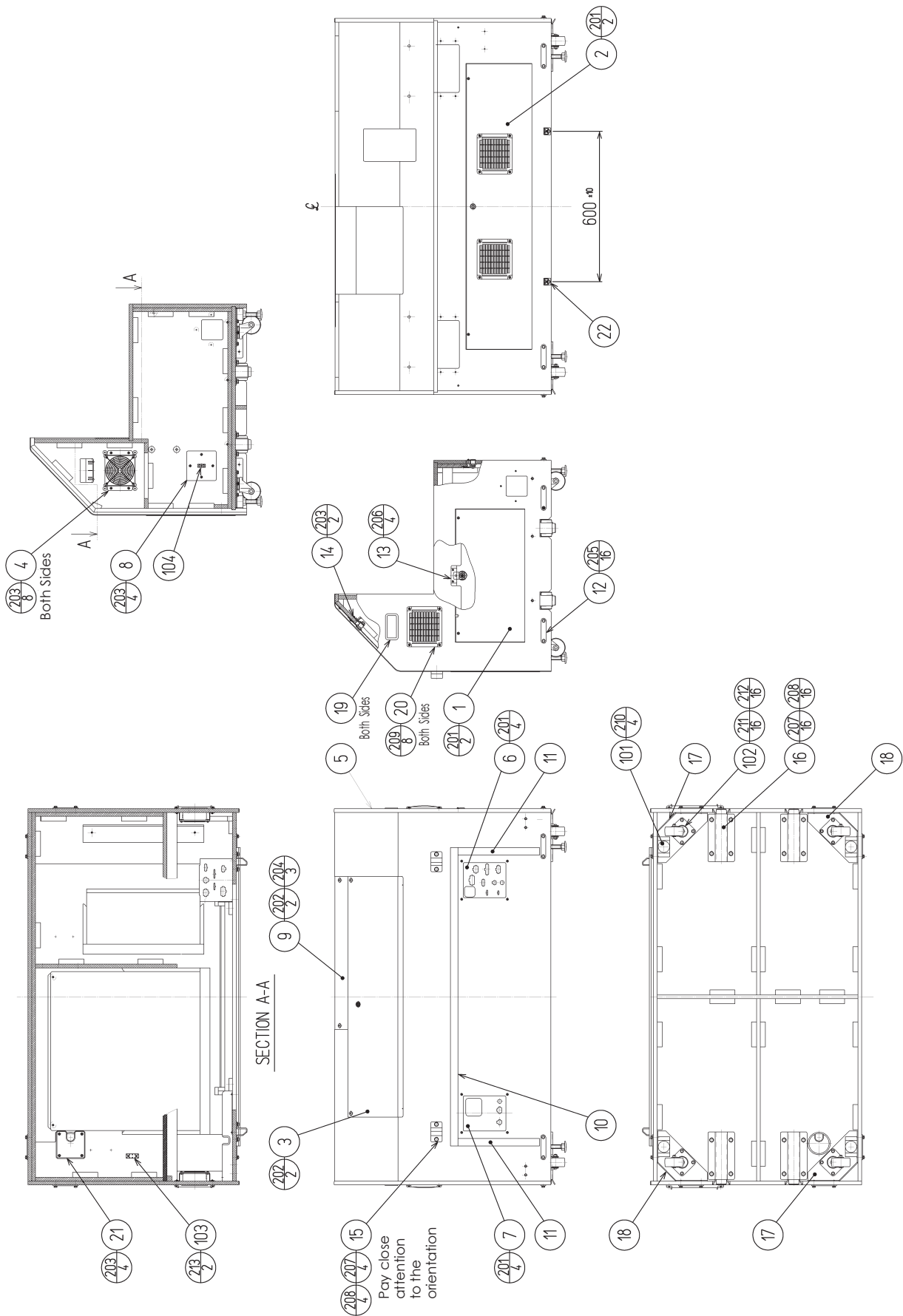
ITEM NO.	PART NO.	DESCRIPTION	NOTE
1	ORA-1501	ASSY SUB CABI DLP BASE	
2	ORA-4000-01	AC UNIT DX	
3	ORA-4100	ASSY MAIN ELEC	
4	ORA-4200	ASSY SUB ELEC	
5	440-DS0313-EG	STICKER D HIGH VOLTAGE ENG	
6	440-WS0002XEG	STICKER W POWER OFF ENG	
8	421-9950-02	STICKER CABINET NUMBER 2	
101	600-7141-91-200	CABLE JVS TYPE A-B 200CM	
102	600-7009-2000	ASSY RGB CA D-SUB 15P 2000MM	
103	211-5258-06	CONN PLUG JST 6P SMP-06V NC	
201	030-000630-S	HEX BLT W/S M6x30	
202	060-F00600	FLT WSHR M6	
203	032-000630	WING BLT M6x30	
204	060-S00600	SPR WSHR M6	
301	ORA-61001X	WH DLP AC200V AC UNIT OUT	
302	ORA-61006X	WH AC100V SUB ELEC IN	
303	ORA-61009X	WH DLP FAN L	
304	ORA-61010X	WH DLP EARTH SUB ELEC	
305	ORA-61016	WH DLP MAIN TO SUB ELEC DC	
306	ORA-61019	WH COIN I/O & SOUND	
307	ORA-61020	WH DLP INTERFACE I/O EXT	
308	ORA-61027X	WH FRONT I/O & RFID	
309	ORA-61041	WH STR ENCODER EXT	
310	ORA-61046	WH STR MOTOR POWER EXT	
311	ORA-61061	WH DLP POWER	
312	ORA-61066X	WH DLP AC DISTRIBUTION	
313	ORA-65005	WH CPT SW AC UNIT IN UL	
314	ORA-61096X	WH DLP SERIAL	
315	ORA-61150X	WH EARTH DLP COUPLING	
316	ORA-61152X	WH EARTH DLP TO FRONT	
317	ORA-61163X	WH DLP FAN R	
318	ORA-65006	WH CPT SW IN UL	
319	ORA-61130X	WH SOUND GAME BD TO SOUND AMP	
320	ORA-61065	WH EARTH DLP	
321	ORA-61301X	WH AC100V AC UNIT DLP	
323	ORA-61114Y	WH RCA DLP2 TO 2	
324	ORA-61124	WH LAN DLP2 TO 2	
/	ORA-62002X	WH DLP BASE AC120V EXP	
/	ORA-61191	WH AC24V DLP BASE	
/	ORA-64000	WH AC POWER COCKPIT UL	
/	270-5117	FERRITE CORE TDK ZCAT3035-1330	

1 CABINET (COCKPIT, DLP, BILLBOARD)

8 ASSY SUB CABI DLP BASE (ORA-1501)

(D-1/2)

CABINET (COCKPIT, DLP, BILLBOARD)



8 ASSY SUB CABI DLP BASE (ORA-1501)

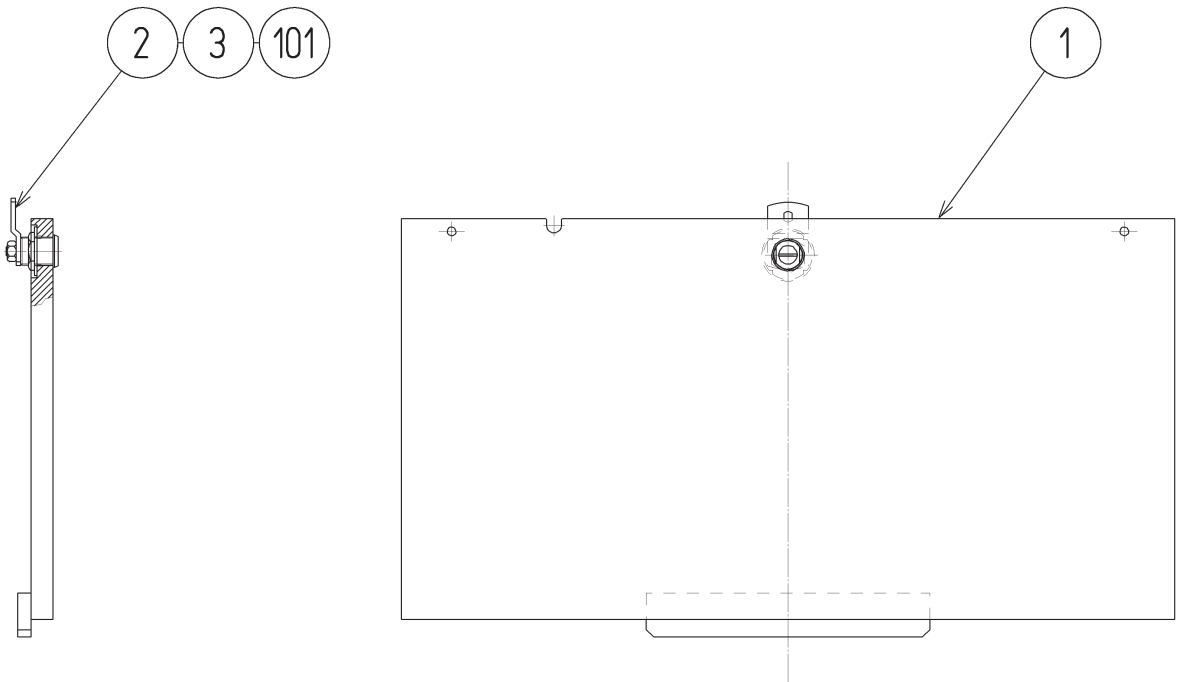
(D-2/2)

ITEM NO.	PART NO.	DESCRIPTION	NOTE
1	ORA-1600	ASSY MAIN BD DOOR	
2	ORA-1650	ASSY DLP BACK DOOR	
3	ORA-1700	ASSY DLP FRONT DOOR	
4	SPY-1080	FAN UNIT	
5	ORA-1502X	DLP CABINET	
6	ORA-1503	CONNECTOR PANEL UPPER	
7	ORA-1504	CONNECTOR PANEL LOWER	
8	ORA-1505	POWER SW PLATE	
9	ORA-1506	FRONT BEAM	
10	ORA-1507	JOINT RUBBER UPPER	
11	ORA-1508	JOINT RUBBER SIDE	
12	117-5284-91	PLATE 6-80 BLACK	
13	ORA-1510	TNG RETAINER PLATE A	
14	ORA-1511	TNG RETAINER PLATE B	
15	ORA-1512	FRONT CABI ADJUSTER	
16	ORA-1513	JOINT BOX ADJUSTER	
17	FRQ-1009	LEG CASTER BRKT A	
18	FRQ-1012	LEG CASTER BRKT B	
19	253-5396-91	CABINET HANDLE	
20	253-5460-01	AIR VENT BLACK	
21	ORA-1515	PWR SPLY LID	
22	421-11416	STICKER CAUTION FORK	
101	601-5699X	LEG ADJUSTER BOLT M16X75	
102	601-9377	CASTER FAI=75	
103	117-5402-10-91	EARTH TERMINAL PLATE 10P	
104	509-6102-V-B	SW ROCKER J8 V-B AJ8202BF	
105	280-6676	CORD CLAMP TL-25A TTK	
201	000-P00430-WB	M SCR PH W/FS BLK M4x30	
202	000-T00520-0B	M SCR TH BLK M5x20	
203	000-P00416-W	M SCR PH W/FS M4x16	
204	000-F00510	M SCR FH M5x10	
205	030-000625-SB	HEX BLT W/S BLK M6x25	
206	011-T03512	TAP SCR TH 3.5x12	
207	030-000820-SB	HEX BLT W/S BLK M8x20	
208	060-F00800-0B	FLT WSHR BLK M8	
209	000-T00416-0B	M SCR TH BLK M4x16	
210	050-H01600-3	HEX NUT TYPE3 M16	
211	030-000616-S	HEX BLT W/S M6x16	
212	060-F00600	FLT WSHR M6	
213	000-F00416	M SCR FH M4x16	
214	011-F00312	TAP SCR #1 FH 3x12	

1 CABINET (COCKPIT, DLP, BILLBOARD)

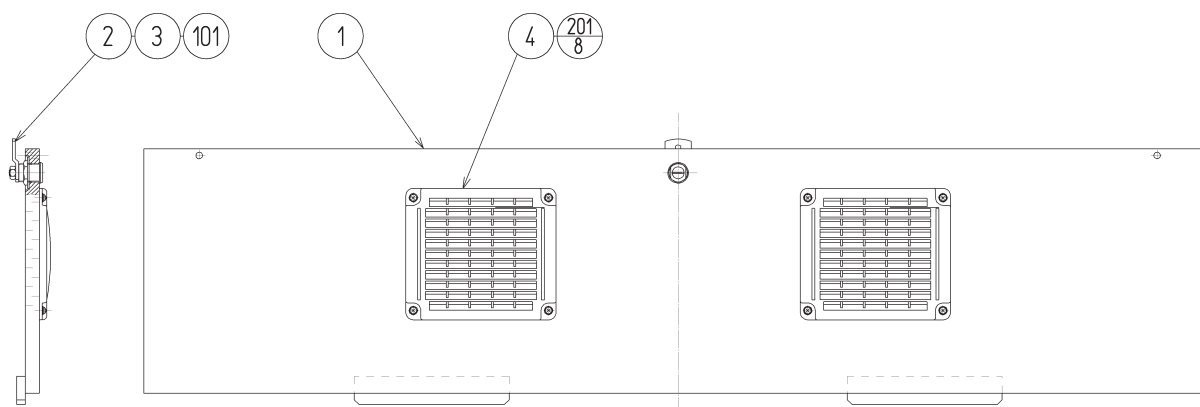
9 ASSY MAIN BD DOOR (ORA-1600)

→ CABINET (COCKPIT, DLP, BILLBOARD)



ITEM NO.	PART NO.	DESCRIPTION	NOTE
1	ORA-1601	MAIN BD DOOR	
2	DP-1148X	LKG TNG	
3	117-0062	PLATE LOCK RETAINER	
101	220-5793-1-A001	CLY LOCK MASTER W/O KEY A001	

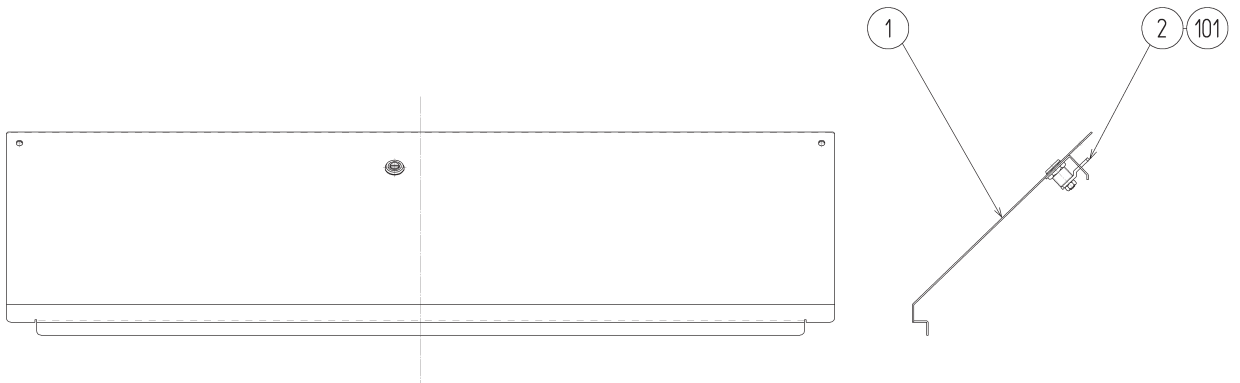
10 ASSY DLP BACK DOOR (ORA-1650)



1 CABINET (COCKPIT, DLP, BILLBOARD)

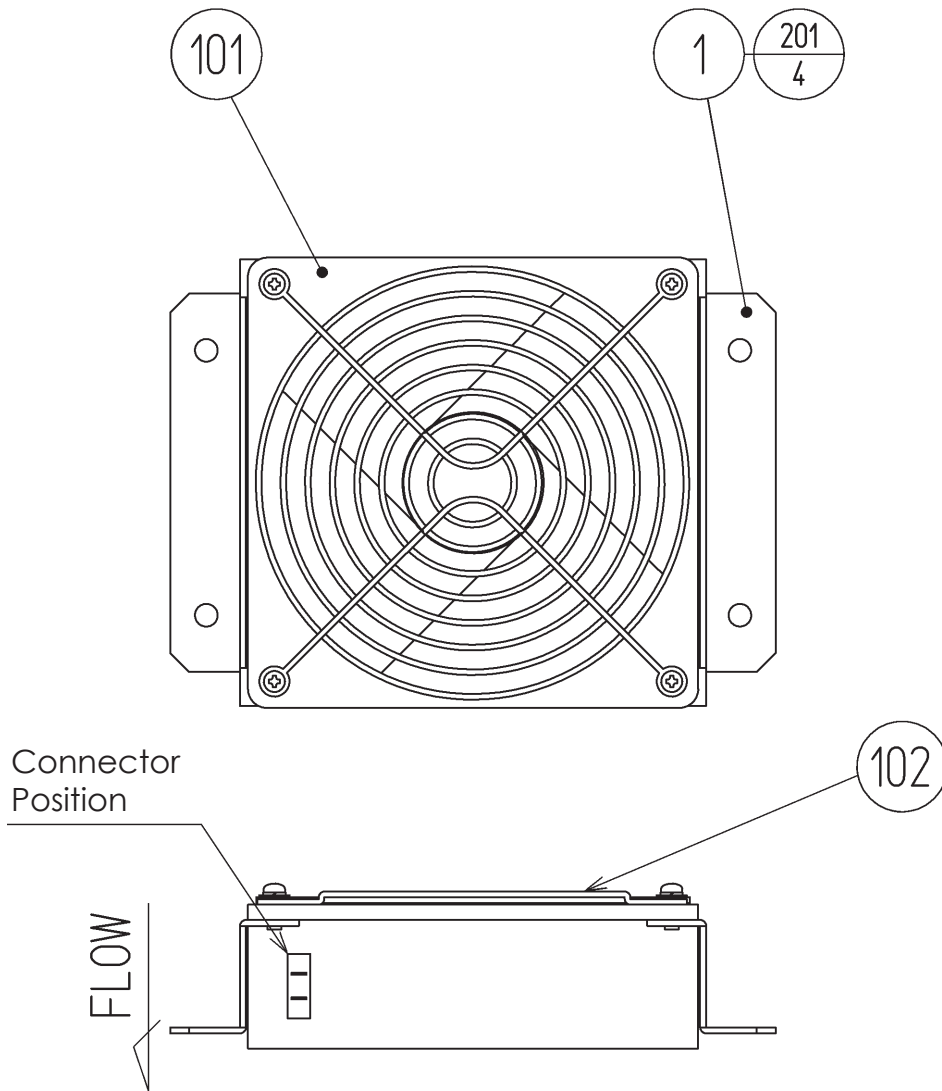
ITEM NO.	PART NO.	DESCRIPTION	NOTE
1	ORA-1651	BACK DOOR	
2	DP-1148X	LKG TNG	
3	117-0062	PLATE LOCK RETAINER	
4	253-5460-01	AIR VENT BLACK	
101	220-5793-1-A001	CLY LOCK MASTER W/O KEY A001	
201	000-P00416-WB	M SCR PH W/FS BLK M4x16	

11 ASSY DLP FRONT DOOR (ORA-1700)



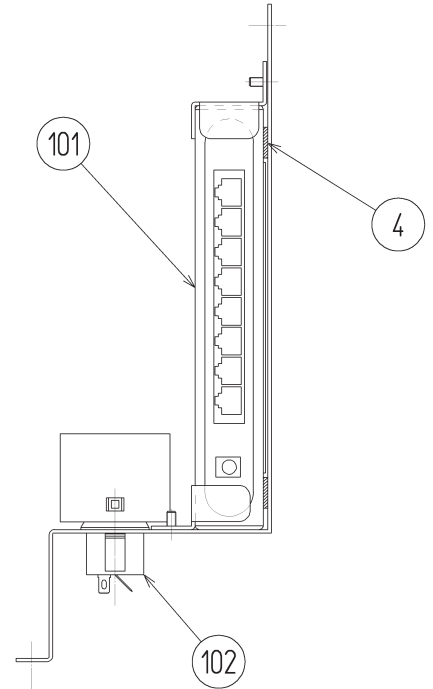
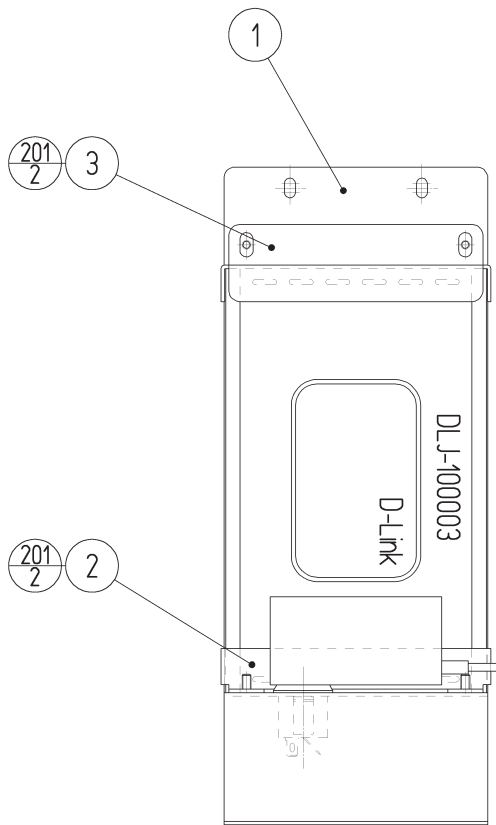
ITEM NO.	PART NO.	DESCRIPTION	NOTE
1	ORA-1701	FRONT DOOR	
2	DP-1148X	LKG TNG	
101	220-5793-1-A001	CLY LOCK MASTER W/O KEY A001	

12 FAN UNIT (SPY-1080)



ITEM NO.	PART NO.	DESCRIPTION	NOTE
1	SPY-1081X	FAN BRKT	
101	260-0011-03	AXIAL FLOW FAN AC100V 50-60HZ	
102	601-8543	FAN GUARD	
201	000-P00312-W	M SCR PH W/FS M3x12	

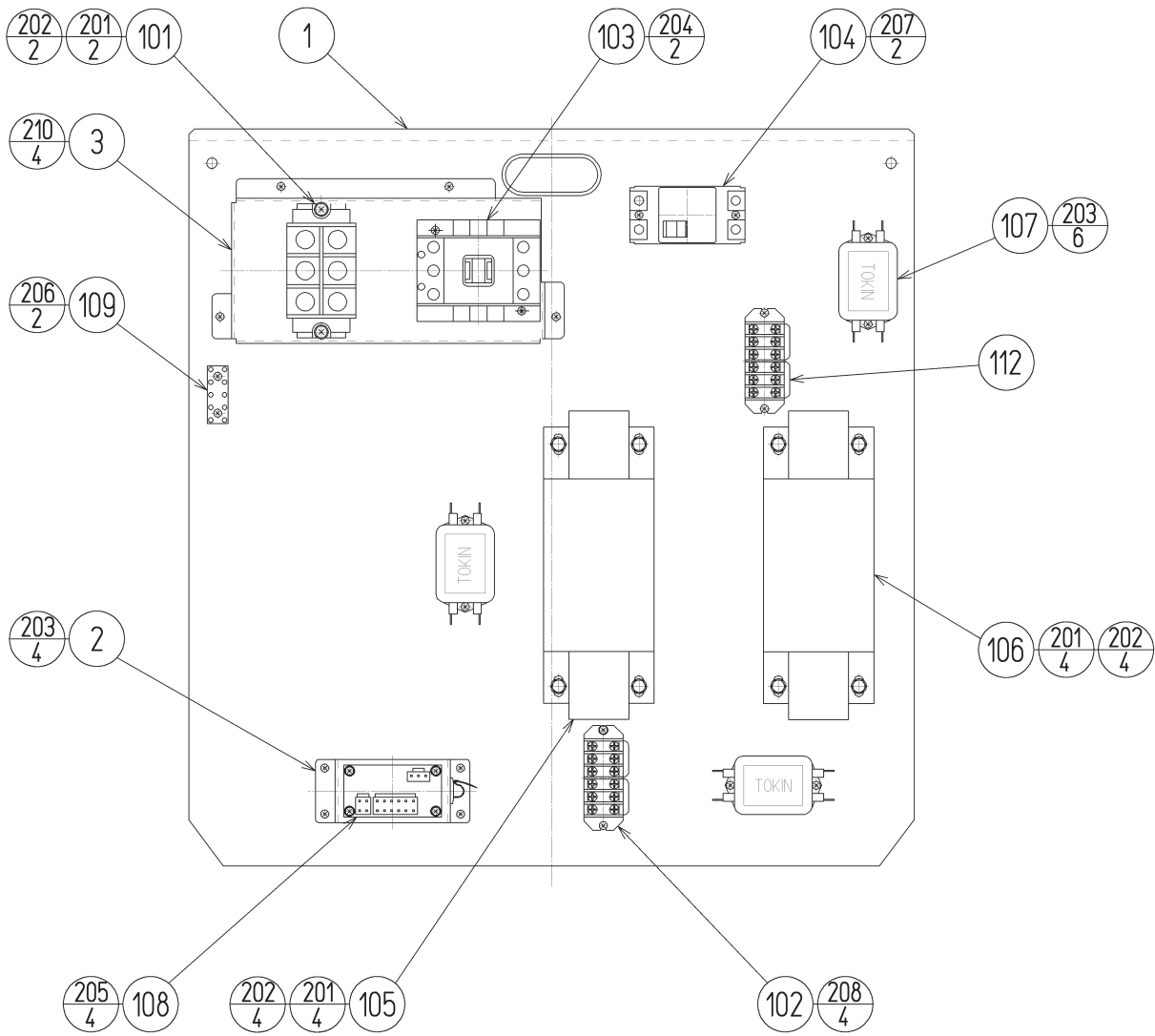
13 ASSY HUB (ORA-1550)



ITEM NO.	PART NO.	DESCRIPTION	NOTE
1	ORA-1552	HUB BASE	
2	ORA-1553	HUB HOLDER LOWER	
3	ORA-1554	HUB HOLDER UPPER	
4	ORA-1555	HUB CUSHION	
101	601-11837-01	SW HUB D-LINK DGS-1008D UL	
102	601-6851	AC OUTLET W/EARTH	
201	050-F00400	FLG NUT M4	
301	ORA-61094	WH HUB AC POWER	

14 AC UNIT DX (ORA-4000-01)

(D-1/2)



CABINET (COCKPIT, DLP, BILLBOARD)

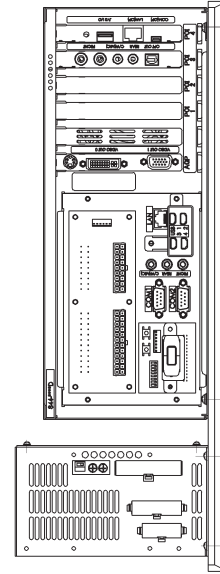
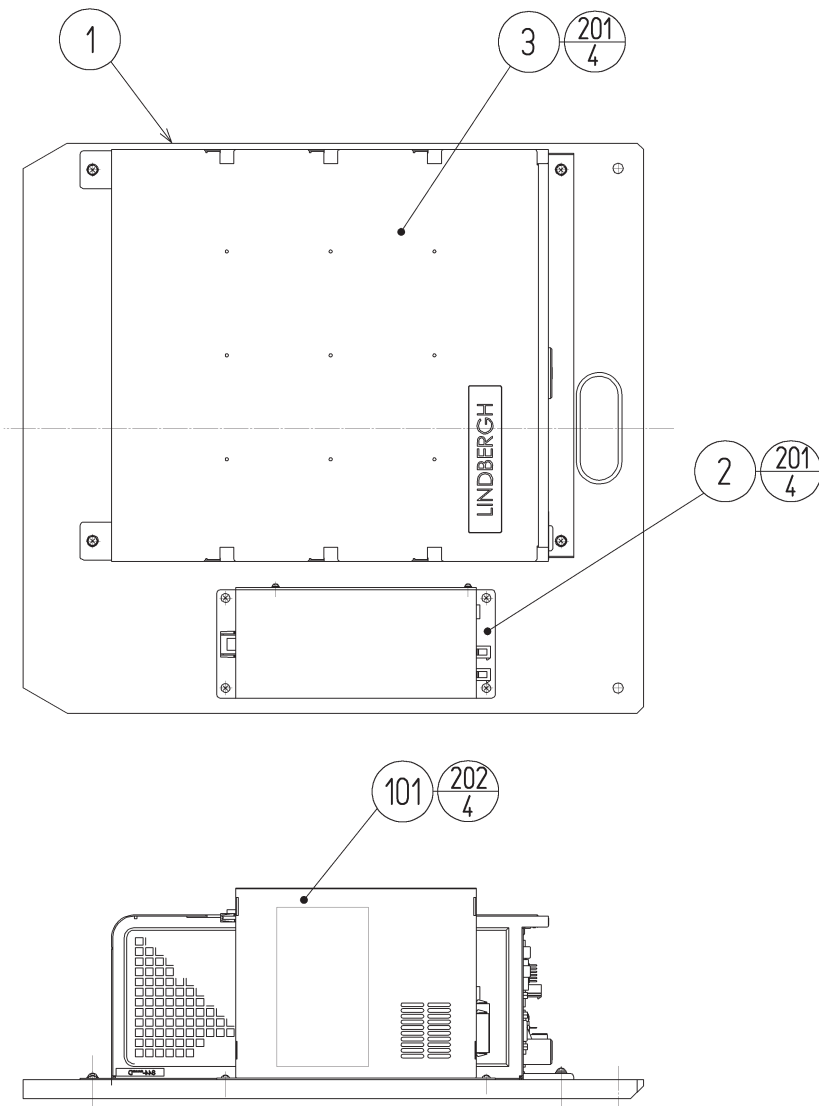
14 AC UNIT DX (ORA-4000-01)

(D-2/2)

CABINET (COCKPIT, DLP, BILLBOARD)

ITEM NO.	PART NO.	DESCRIPTION	NOTE
1	ORA-4001X	AC UNIT BASE	
2	ORA-4002	DISTRIBUTION BRKT	
3	ORA-4003X	TERMINAL PLATE COVER	
4	421-12250-02	STICKER AC IN 208V	
101	117-5446	TERMINAL 125A UK125 3P	
102	117-5447	TERMINAL 25A JTP20 6P	
103	450-5206	CONTACTER SC-N3 AC200V	
104	512-5081	BREAKER EA32AC/30	
105	560-5550-V	XFMR 200-230V 200V 12A WB	
106	560-5551-V-91	XFMR 200-230V 100V 120V 22A WB	
107	270-5115	NOISE FILTER 15A GT-215J	
108	838-14551	DISTRIBUTION BD	
109	117-5402-10-91	EARTH TERMINAL PLATE 10P	
110	280-5292	CORD CLAMP 18 PUSH TYPE	
111	280-6676	CORD CLAMP TL-25A TTK	
112	601-11891	SHORT BAR JTP20-3S	
113	280-0419	HARNESS LUG	
201	030-000620-S	HEX BLT W/S M6x20	
202	060-F00600	FLT WSHR M6	
203	011-T03512	TAP SCR TH 3.5x12	
204	000-P00425-W	M SCR PH W/FS M4x25	
205	000-P00320-W	M SCR PH W/FS M3x20	
206	011-F03516	TAP SCR FH 3.5x16	
207	FAS-110022	TAP SCR PH #1 3.5X60	
208	011-T03516	TAP SCR TH 3.5x16	
209	011-F00310	TAP SCR FH 3x10	
210	000-P00416-W	M SCR PH W/FS M4x16	
301	ORA-61067X	WH AC200V OUT	
302	ORA-61068X	WH AC UNIT DISTRIBUTION IN	
303	ORA-61069X	WH AC UNIT DLP POWER	
304	ORA-61078X	WH AC UNIT NF OUT	
305	ORA-61174X	WH AC UNIT AC100V NF OUT	
306	ORA-61073X	WH AC100V TRANS IN	
307	ORA-65003	WH AC UNIT BREAKER OUT UL	
308	ORA-65002	WH AC UNIT BREAKER IN UL	
309	ORA-65001	WH AC UNIT AC200V IN UL	
310	ORA-65004	WH AC UNIT MAG CON IN UL	
311	ORA-61164X	WH EARTH AC UNIT AC100V NF IN	
312	ORA-61159	WH EARTH AC UNIT AC200V NF IN	
313	ORA-61167Y	WH EARTH AC UNIT IN	
314	ORA-61300	WH AC100V TR VL8P	
315	ORA-65021	WH POWER SWITCH	
/	ORA-62001X	WH AC UNIT AC120V EXP	
/	560-5554-V	XFMR 100V 24V 3A WB	
/	ORA-61079	WH 24V TRANS AC100V IN	
/	ORA-61190	WH AC24V AC UNIT	

15 ASSY MAIN ELEC (ORA-4100)



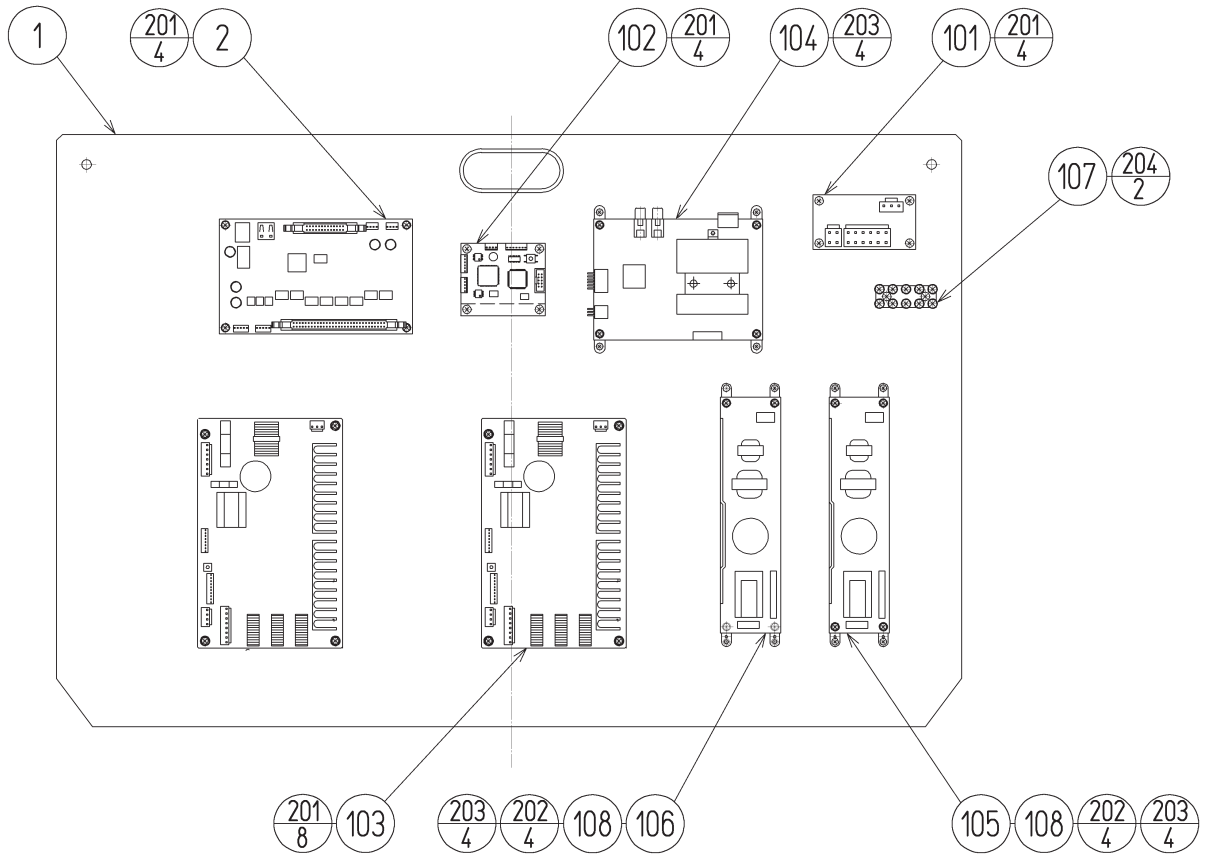
1 CABINET (COCKPIT, DLP, BILLBOARD)

ITEM NO.	PART NO.	DESCRIPTION	NOTE
1	ORA-4101	MAIN ELEC BASE	
2	ORA-4102	SW REGU BRKT	
3	844-0008D-01	ASSY CASE LBG L 1GB ORA USA	
101	400-5457-91	SW REGU ATX/JVS	
103	280-6676	CORD CLAMP TL-25A TTK	
201	000-P00416-W	M SCR PH W/FS M4x16	
202	000-P00308-W	M SCR PH W/FS M3x8	
203	011-F00310	TAP SCR FH 3x10	
301	600-7360-0300	WH LBG PWR 24P P TO P 0300MM	
302	600-7361-0300	WH LBG PWR 18P P TO P 0300MM	
303	ORA-61011X	WH LBG REG AC IN	
304	ORA-61015X	WH MAIN ELEC I/O DC	
305	ORA-61095	WH MAIN ELEC SERIAL	

16 ASSY SUB ELEC (ORA-4200)

(D-1/2)

CABINET (COCKPIT, DLP, BILLBOARD)



16 ASSY SUB ELEC (ORA-4200)**(D-2/2)**

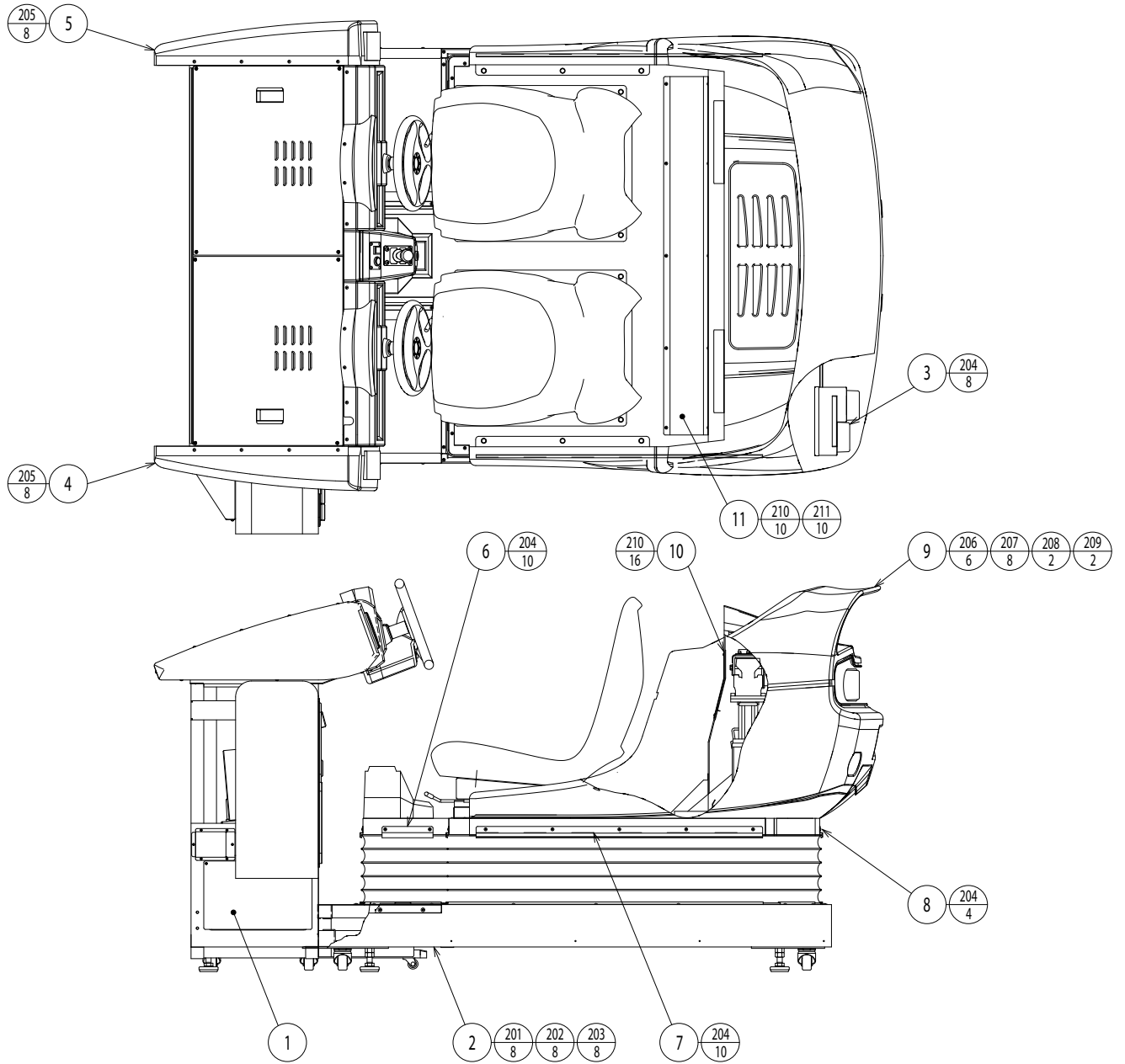
ITEM NO.	PART NO.	DESCRIPTION	NOTE
1	ORA-4201	SUB ELEC BASE	
2	837-14505	I/O CONTROL BD FOR JVS	
101	838-14551	DISTRIBUTION BD	
102	838-14597	MOTOR DRIVE SWITCH BD	
103	838-14592-91	SERVO MOTOR DRIVE BD SER	
104	838-14515-A01	SOUND AMP ANALOG IN	
105	400-5421-05024Y	SW REGU LCA50S-24-Y	
106	400-5421-05012Y	SW REGU LCA50S-12-Y	
107	117-5402-10-91	EARTH TERMINAL PLATE 10P	
108	280-6681	L-LOCK LT-320PCG	
110	280-6676	CORD CLAMP TL-25A TTK	
201	011-P00320	TAP SCR PH 3x20	
202	000-P00308-W	M SCR PH W/FS M3x8	
203	011-T03516	TAP SCR TH 3.5x16	
204	011-F03516	TAP SCR FH 3.5x16	
205	011-F00310	TAP SCR FH 3x10	
301	ORA-61017X	WH DC SUB ELEC IN	
302	ORA-61018	WH SOUND AMP OUT	
303	ORA-61021	WH SUB ELEC ANALOG I/O	
304	ORA-61026X	WH I/O SUB ELEC	
305	ORA-61040X	WH STR ENCODER IN	
306	ORA-61045X	WH STR MOTOR POWER OUT	
308	ORA-61056X	WH DC SOUND AMP IN	
309	ORA-61055Y	WH AC100V SUB ELEC REGU IN EXP	
310	ORA-61097X	WH STR SWITCH BD OUT L	
311	ORA-61098X	WH STR SWITCH BD OUT R	
312	ORA-61050	WH JUMPER1 STR FEEDBACK	
313	ORA-61054X	WH AC100V IN STR FEEDBACK	
314	ORA-61051	WH JUMPER2 STR FEEDBACK	
/	HDF-4102	SW REGU BRKT	
/	050-H00400	HEX NUT M4	
/	060-S00400	SPR WSHR M4	
/	060-F00400	FLT WSHR M4	
/	270-5117	FERRITE CORE TDK ZCAT3035-1330	
/	601-0460	PLASTIC TIE BELT 100 MM	

1 CABINET (COCKPIT, DLP, BILLBOARD)

17 ASSY COCKPIT RED DX (ORA-3000-05)

(D-1/2)

CABINET (COCKPIT, DLP, BILLBOARD)



17 ASSY COCKPIT RED DX (ORA-3000-05)**(D-2/2)**

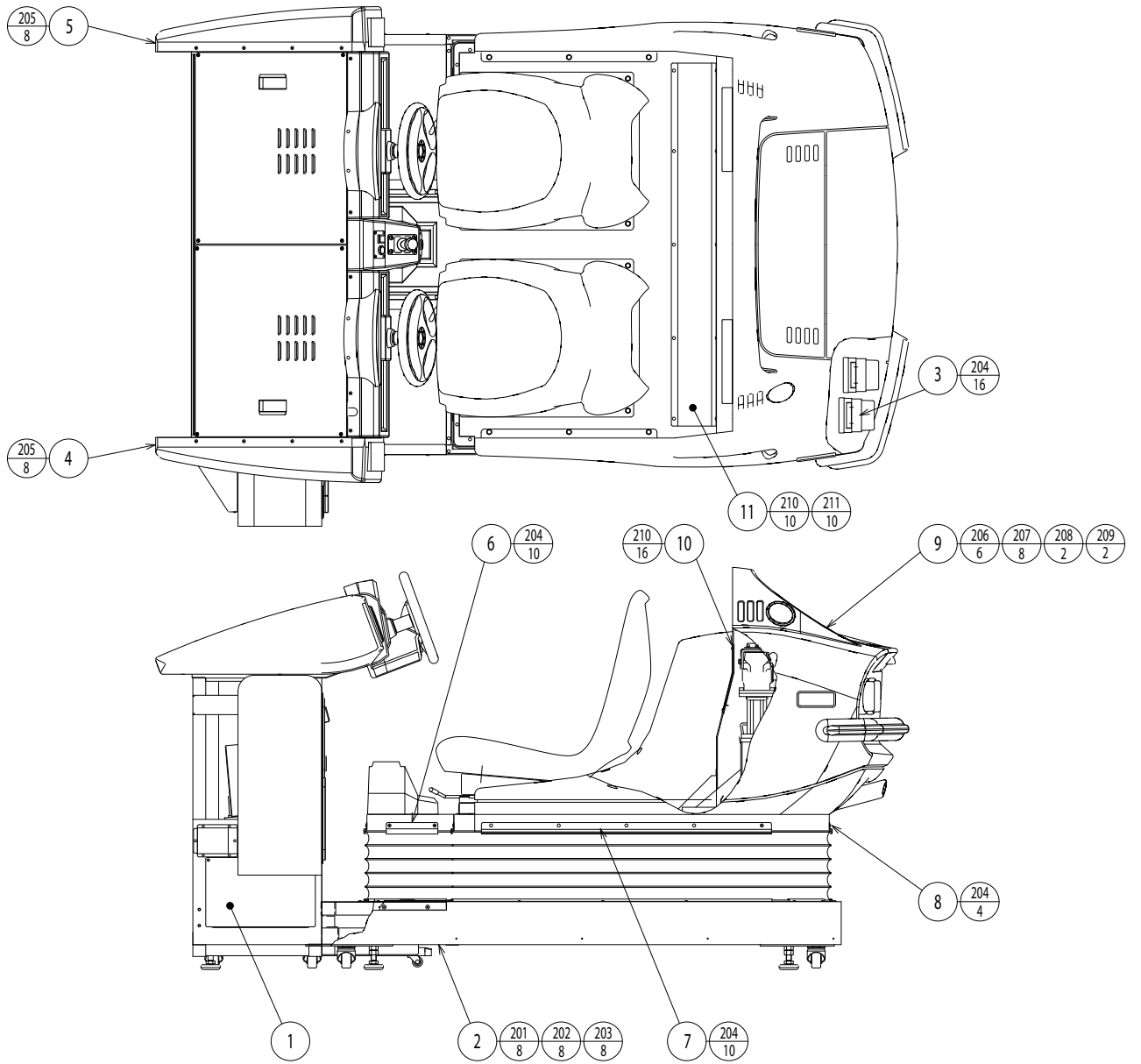
ITEM NO.	PART NO.	DESCRIPTION	NOTE
1	ORA-3100-01	ASSY FRONT CABI DX	
2	ORA-3500	ASSY REAR CABI	
3	ORA-3900-01	ASSY TAIL LAMP F50	
4	ORA-3119-01	HANDLE SIDE COVER L RED	
5	ORA-3120-01	HANDLE SIDE COVER R RED	
6	ORA-3512	BELLOWS HOLDER UPPER FRONT	
7	ORA-3513	BELLOWS HOLDER UPPER SIDE	
8	ORA-3514	BELLOWS HOLDER UPPER REAR	
9	ORA-3521	CAR BODY F50	
10	ORA-3525X	CAR FRONT UPPER LID	
11	ORA-3526	CAR FRONT LOWER COVER	
201	FAS-300050	HEX BLT M10x110	
202	060-F01000	FLT WSHR M10	
203	060-S01000	SPR WSHR M10	
204	000-P00412-WB	M SCR PH W/FS BLK M4x12	
205	000-T00410-0B	M SCR TH BLK M4x10	
206	030-000820-SB	HEX BLT W/S BLK M8x20	
207	060-F00800-0B	FLT WSHR BLK M8	
208	030-0008A2	HEX BLT M8x120	
209	060-S00800	SPR WSHR M8	
210	000-T00416-0B	M SCR TH BLK M4x16	
211	068-441616-0B	FLT WSHR BLK 4.4-16x1.6	
301	ORA-61140	WH TAIL LAMP IN	
302	ORA-61161	WH TAIL LAMP R TO L	

1 CABINET (COCKPIT, DLP, BILLBOARD)

18 ASSY COCKPIT YEL DX (ORA-3000-06)

(D-1/2)

CABINET (COCKPIT, DLP, BILLBOARD)



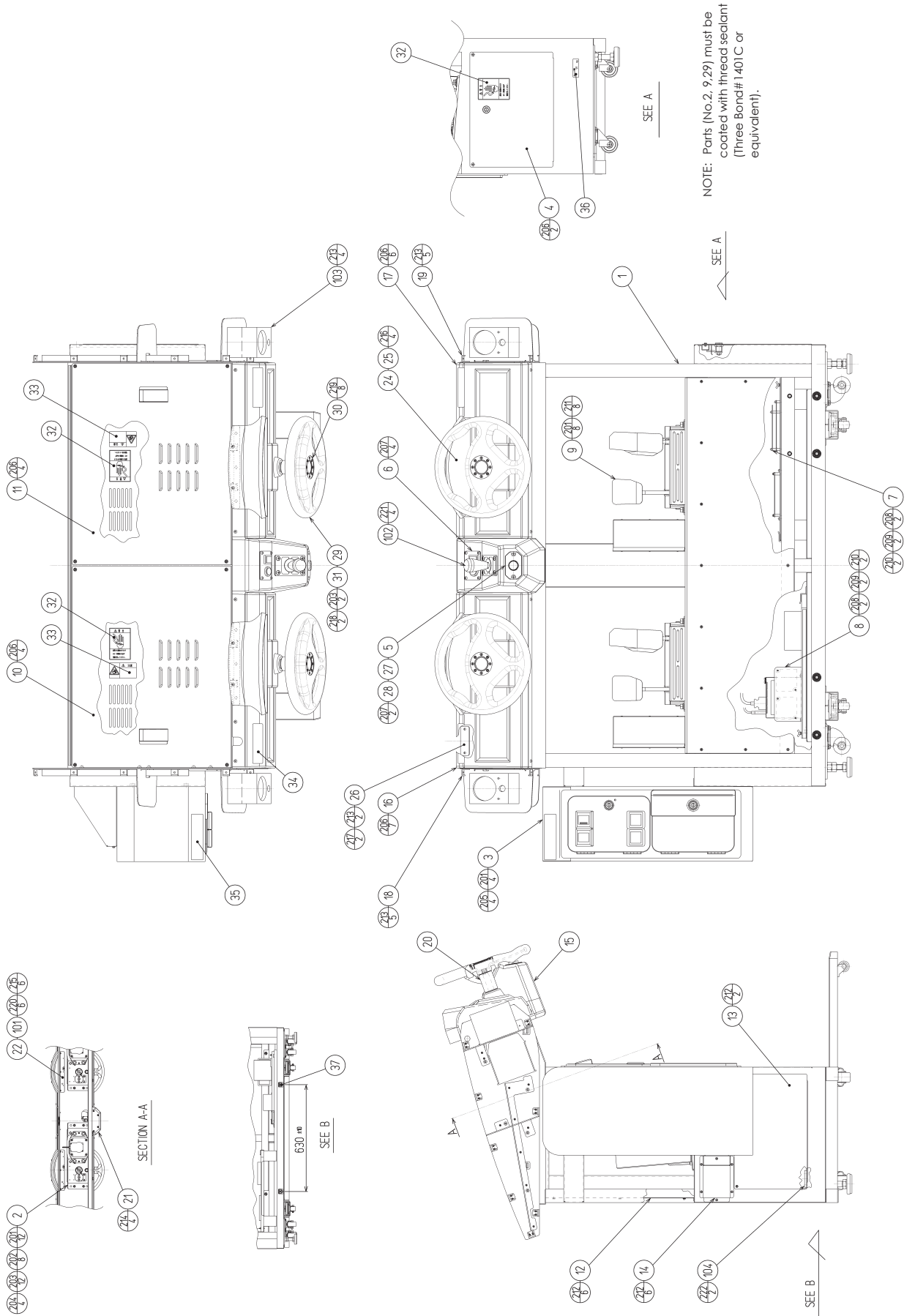
18 ASSY COCKPIT YEL DX (ORA-3000-06)**(D-2/2)**

ITEM NO.	PART NO.	DESCRIPTION	NOTE
1	ORA-3100-01	ASSY FRONT CABI DX	
2	ORA-3500	ASSY REAR CABI	
3	ORA-3900-02	ASSY TAIL LAMP SINGLE	
4	ORA-3119-02	HANDLE SIDE COVER L YELLOW	
5	ORA-3120-02	HANDLE SIDE COVER R YELLOW	
6	ORA-3512	BELLOWS HOLDER UPPER FRONT	
7	ORA-3513	BELLOWS HOLDER UPPER SIDE	
8	ORA-3514	BELLOWS HOLDER UPPER REAR	
9	ORA-3522	CAR BODY DINO	
10	ORA-3525X	CAR FRONT UPPER LID	
11	ORA-3526	CAR FRONT LOWER COVER	
201	FAS-300050	HEX BLT M10x110	
202	060-F01000	FLT WSHR M10	
203	060-S01000	SPR WSHR M10	
204	000-P00412-WB	M SCR PH W/FS BLK M4x12	
205	000-T00410-0B	M SCR TH BLK M4x10	
206	030-000820-SB	HEX BLT W/S BLK M8x20	
207	060-F00800-0B	FLT WSHR BLK M8	
208	030-0008A2	HEX BLT M8x120	
209	060-S00800	SPR WSHR M8	
210	000-T00416-0B	M SCR TH BLK M4x16	
211	068-441616-0B	FLT WSHR BLK 4.4-16x1.6	
301	ORA-61140	WH TAIL LAMP IN	
302	ORA-61161	WH TAIL LAMP R TO L	
303	ORA-61162	WH TAIL LAMP 1 TO 2 TYPE2	

1 CABINET (COCKPIT, DLP, BILLBOARD)

19 ASSY FRONT CABI DX (ORA-3100-01)

(D-1/3)



19 ASSY FRONT CABI DX (ORA-3100-01)**(D-2/3)**

ITEM NO.	PART NO.	DESCRIPTION	NOTE
1	ORA-3101	ASSY SUB CABI FRONT	
2	ORA-2500	ASSY HANDLE MECHA	
3	ORA-3200	ASSY COIN CHUTE TOWER	
4	ORA-3300	ASSY MOTOR DRIVER DOOR	
5	ORA-3350	ASSY MOTION STOP SW	
6	ORA-3400	ASSY START SW	
7	ORA-4300	ASSY ACT CONTROL ELEC	
8	ORA-4400	ASSY ACTUATOR ELEC	
9	SPG-2200-01	ASSY ACCEL&BRAKE	
10	ORA-3111	HOOD DOOR L	
11	ORA-3112	HOOD DOOR R	
12	ORA-3113	CENTER LID	
13	ORA-3114	POWER LID	
14	ORA-3115	COIN CHUTE WIRE COVER	
15	ORA-3116	SHIFT COVER	
16	ORA-3117-01	HANDLE BASE COVER L ENG	
17	ORA-3118-01	HANDLE BASE COVER R ENG	
18	ORA-3121	SIDE COVER BASE L	
19	ORA-3122	SIDE COVER BASE R	
20	ORA-3125	HANDLE COLLAR	
21	ORA-3126	CENTER PANEL RUBBER	
24	ORA-3129	METER PRISM	
25	ORA-3130	METER PLATE	
26	ORA-3131	CAMERA LID	
27	ORA-3352	MOTION STOP SW COVER	
28	ORA-3353	STICKER MOTION STOP SW	
29	SPG-2001X	STEERING WHEEL	
30	SPG-2002	STEERING EMBLEM	
31	SPG-2039	SPACER RING	
32	440-WS0002XEG	STICKER W POWER OFF ENG	
33	440-CS0167-EG	STICKER C HANDLE GEAR ENG	
34	440-CS0277-EG	STICKER C EPILEPSY 35 ENG	
35	440-CS0276-EG	STICKER C PLAYER RESTRICTIONS	
37	421-11416	STICKER CAUTION FORK	
38	SGM-4567	POLY COVER 1000X1700X1300	
101	838-14463-01	LED BAR BD GREEN	
102	610-0408-01	UP/DOWN SHIFTER AL YL	
103	130-5124-03	SPEAKER MINI BOX 8OHM 15W	
104	117-5402-10-91	EARTH TERMINAL PLATE 10P	
105	280-5277	CORD CLAMP 18	
106	280-6676	CORD CLAMP TL-25A TTK	
107	280-5169	CORD CLAMP TL-20S	
108	601-5526-265	BUSH 1.6T	
109	601-6563-94	BUSH 2.4T	
110	601-6563-194	BUSH 2.4T	
111	601-6563-54	BUSH 2.4T	
112	601-6563-107	BUSH 2.4T	
113	601-6563-125	BUSH 2.4T	
114	601-6563-214	BUSH 2.4T	

1 CABINET (COCKPIT, DLP, BILLBOARD)

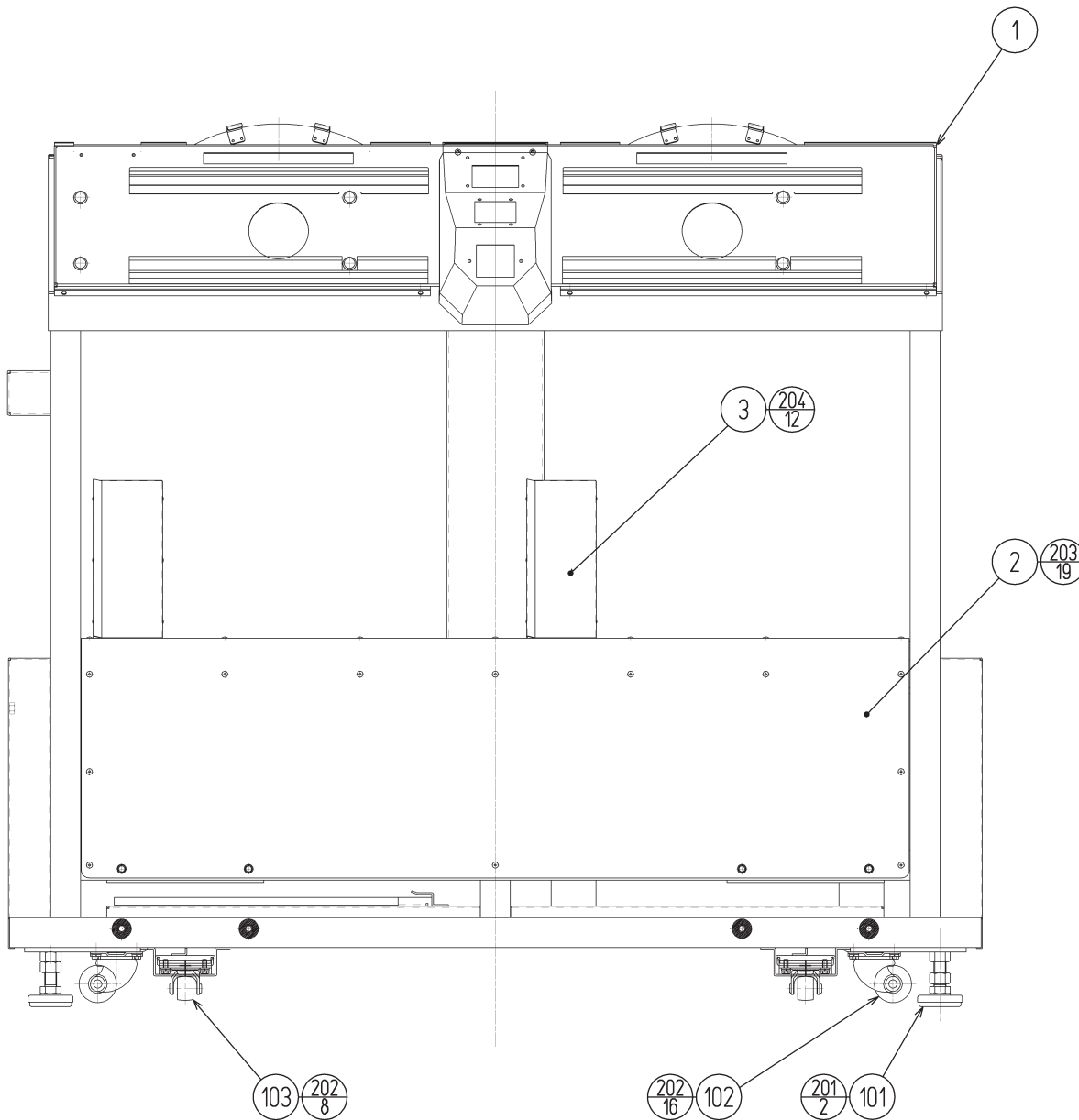
19 ASSY FRONT CABI DX (ORA-3100-01)

(D-3/3)

← CABINET (COCKPIT, DLP, BILLBOARD)

ITEM NO.	PART NO.	DESCRIPTION	NOTE
201	060-F00800-OB	FLT WSHR BLK M8	
202	050-H00800-OB	HEX NUT BLK M8	
203	060-S00800-OB	SPR WSHR BLK M8	
204	FAS-290001	HEX SKT SCR BH BLK M8X20	
205	030-000820-SB	HEX BLT W/S BLK M8x20	
206	000-T00410-OB	M SCR TH BLK M4x10	
207	000-T00416-OC	M SCR TH CRM M4x16	
208	032-000420	WING BLT M4x20	
209	060-S00400	SPR WSHR M4	
210	060-F00400	FLT WSHR M4	
211	030-000830-SB	HEX BLT W/S BLK M8x30	
212	000-P00408-WB	M SCR PH W/FS BLK M4x8	
213	000-P00512-WB	M SCR PH W/FS BLK M5x12	
214	000-P00420-WB	M SCR PH W/FS BLK M4x20	
215	050-F00400	FLG NUT M4	
216	FAS-000082	M SCR TH BLK M3X12	
217	000-T00512-OB	M SCR TH BLK M5x12	
218	020-000820-OZ	HEX SKT H CAP SCR BLK OZ M8x20	
219	FAS-200013	HEX SKT H CAP SCR CRM M4X16	
220	000-P00308-WB	M SCR PH W/FS BLK M3 x 8	
221	008-T00516-OB	TMP PRF SCR TH BLK M5x16	
222	000-F00410-OB	M SCR FH BLK M4x10	
302	ORA-62004	WH AC100V ACT CTRL EXT EXP	
303	ORA-61023	WH COIN I/O EXT	
304	ORA-61033	WH DRIVER LAMP	
305	ORA-61034X	WH FRONT I/O	
306	ORA-61035X	WH SOUND	
307	ORA-61036X	WH FRONT INTERFACE I/O	
308	ORA-61042	WH STR ENCODER	
309	ORA-61047	WH STR MOTOR POWER	
311	ORA-61099	WH MOTION STOP EXIT	
313	ORA-61139X	WH RCA FRONT CABI	
314	ORA-61200	WH ACT AMP I/F CABLE L	
315	ORA-61201	WH ACT AMP I/F CABLE R	
316	ORA-61146X	WH EARTH FRONT TO ACT ELEC	
/	ORA-61176X	WH EARTH FRONT TO ACT CONT	
/	ORA-62003Y	WH FRONT CABI AC120V EXP	
/	ORA-61192	WH AC24V FRONT CABI	
/	270-5117	FERRITE CORE TDK ZCAT3035-1330	

20 ASSY SUB CABI FRONT (ORA-3101)



NOTE: All screw components (except Nut M16)
must be coated with thread sealant
(Three Bond# 1401C or equivalent).

ITEM NO.	PART NO.	DESCRIPTION	NOTE
1	ORA-3102	FRONT FRAME	
2	ORA-3103	FOOT PLATE	
3	ORA-3104	FOOT REST COVER	
101	601-5882	LEG ADJUSTER (TAKIGEN C-280-2)	
102	601-6056-01	CASTER 50 PH	
103	601-11769	CASTER 32 420-TP-00N32	
201	050-H01600-3	HEX NUT TYPE3 M16	
202	030-000616-W	HEX BLT W/FS M6x16	
203	047-PA4010-4	RVT OPEN TYPE AL 4x10.4	
204	047-PA3206-3	RVT OPEN TYPE AL 3.2x6.3	

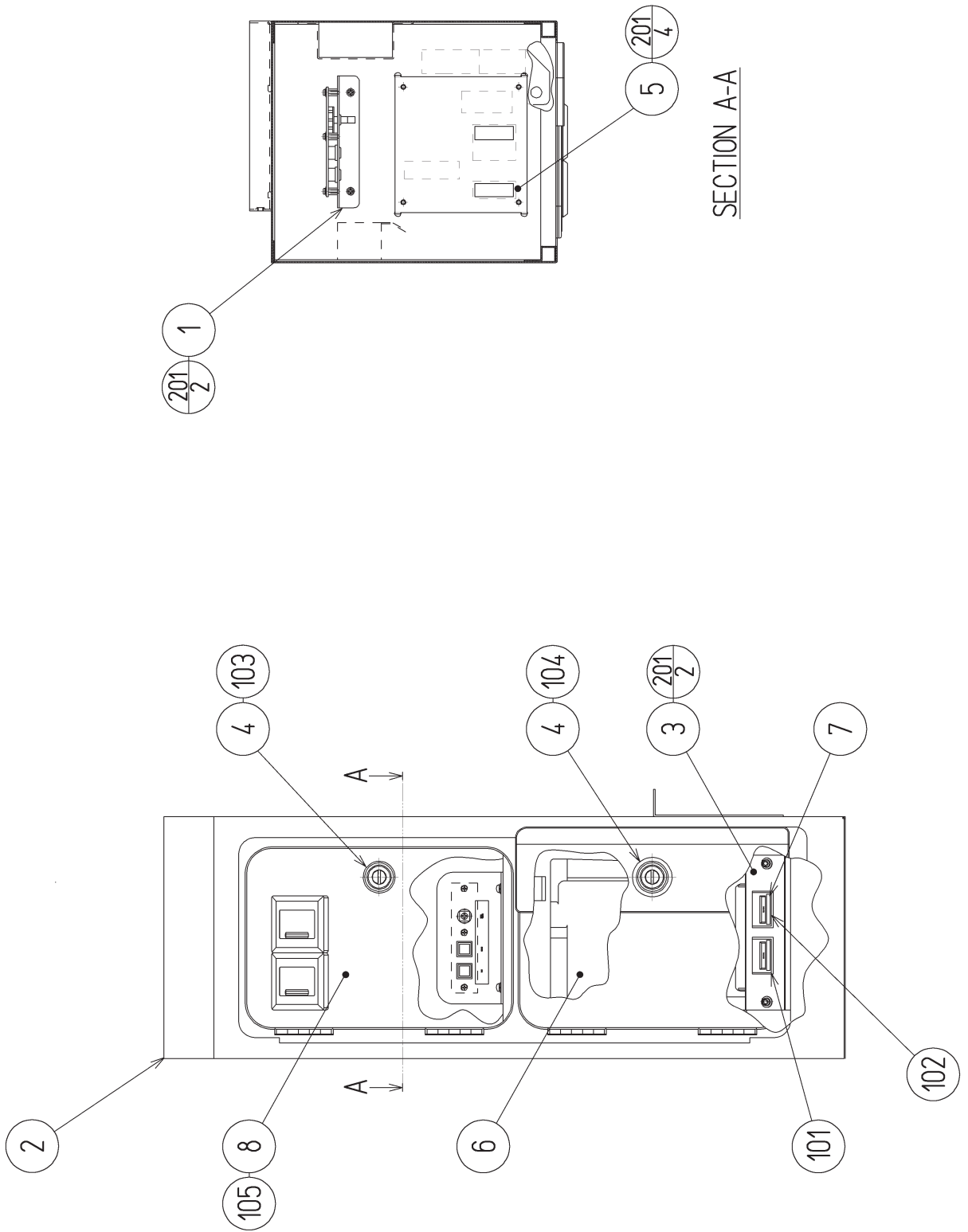
21 ASSY HANDLE MECHA (ORA-2500)**(D-2/2)**

ITEM NO.	PART NO.	DESCRIPTION	NOTE
1	ORA-2501	HANDLE BASE	
2	SPG-2502	BASE LID	
3	ORA-2502	HANDLE SHAFT	
4	SPG-2504	PULLEY 20 S5M	
5	SPG-2505	PULLEY 60 S5M	
6	ORA-2503	MOTOR BRKT	
7	ORA-2504	VR BRKT	
8	ORA-2505	STOPPER BOLT	
9	ORA-2506	STOPPER RUBBER	
10	SPG-2453	KEY 4X4X40	
11	DYN-1270	STOPPER KEY	
12	SLC-1130	ADJUST RING	
13	ORA-2507	MOTOR SHAFT COLLAR	
14	253-5592	MOTOR INSULATOR A	
15	253-5593	MOTOR INSULATOR B	
101	350-5805	SERVO MOTOR Y21C-5010S	
102	100-5112	BEARING 17 (NSK 6003ZZ)	
103	601-8966	GEAR HOLDER	
104	601-6172	GEAR 48	
105	601-6959	GEAR 64	
106	601-9173	TIMING BELT (150 S5M 475)	
107	220-5484	VOL CONT B-5K OHM	
	220-5753	VOL CONT B-5K OHM (TOCOS)	
108	310-5029-F20	SUMITUBE F F 20MM	
201	028-A00408-P	SET SCR HEX SKT CUP P M4x8	
202	028-A00308-P	SET SCR HEX SKT CUP P M3x8	
203	065-S012S0-Z	STP RING BLK OZ S12	
204	065-S020S0-Z	STP RING BLK OZ S20	
205	000-P00408-W	M SCR PH W/FS M4x8	
206	000-P00412-W	M SCR PH W/FS M4x12	
207	030-000612-S	HEX BLT W/S M6x12	
208	060-F00600	FLT WSHR M6	
209	050-U00600	U NUT M6	
210	030-000840-S	HEX BLT W/S M8x40	
211	068-852216	FLT WSHR 8.5-22 x1.6	
212	060-S01200	SPR WSHR M12	
213	012-P00412	TAP SCR #2 PH 4x12	
301	600-6866-01	WIRE HARN ASSY HANDLE MECHA VR	

1 CABINET (COCKPIT, DLP, BILLBOARD)

22 ASSY COIN CHUTE TOWER (ORA-3200)

(D-1/2)

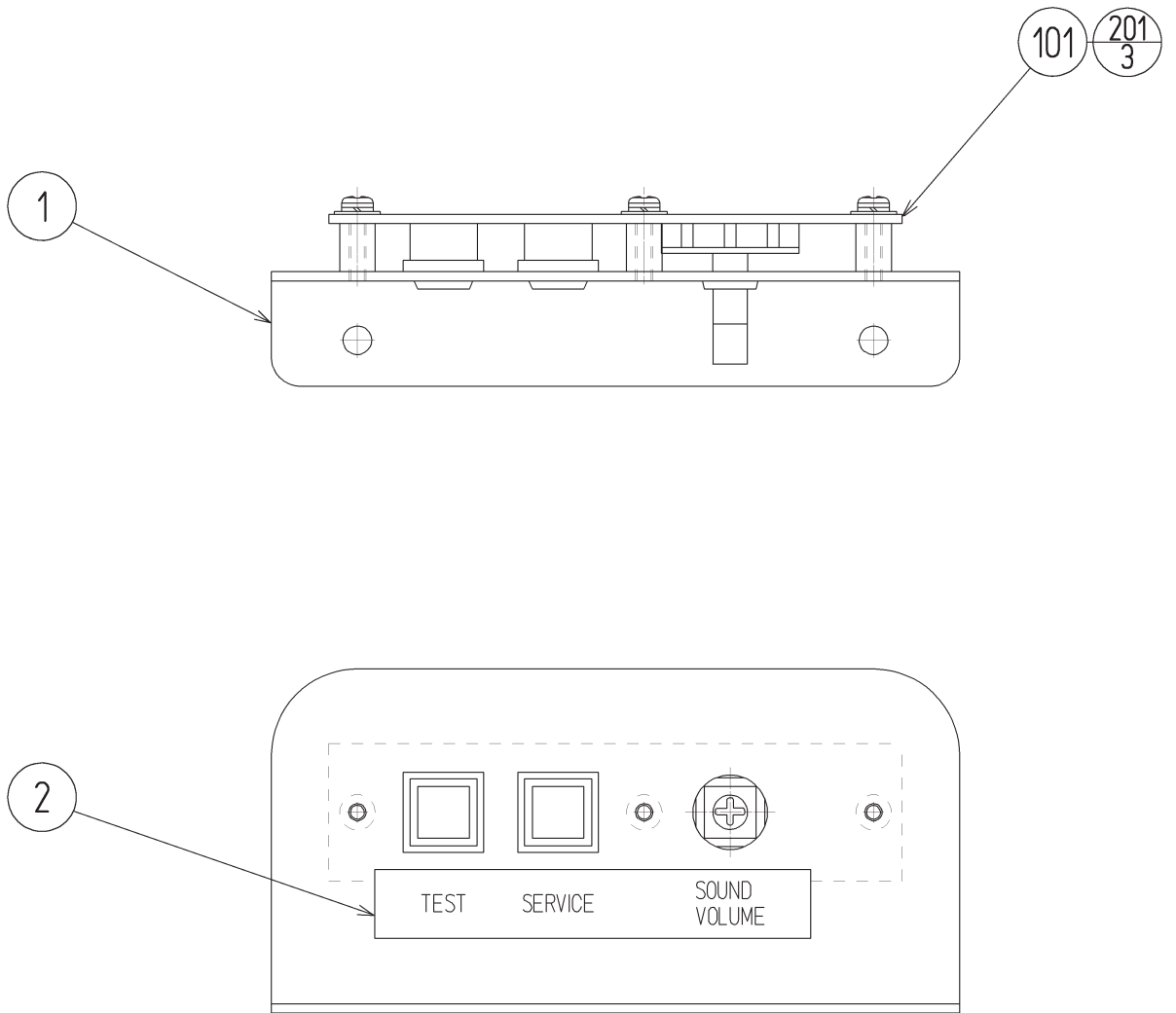


22 ASSY COIN CHUTE TOWER (ORA-3200)**(D-2/2)**

ITEM NO.	PART NO.	DESCRIPTION	NOTE
1	ORA-3450	SW UNIT	
2	ORA-3201X	COIN CHUTE BOX	
3	ORA-3202	METER BRKT	
5	105-5572-03	CHUTE PLATE US	
6	253-5366	CASH BOX	
7	421-6591-01	STICKER COIN METER	
101	220-5798-01	MAG CNTR 4P MZ674-DC5V-D41 JC	
102	220-5798-02	MAG CNTR 6P MZ674-DC5V-D42 JC	
105	220-5816	CC 2DR W/O DBA HAPP 40-7000-00	
106	280-5277	CORD CLAMP 18	
107	280-6676	CORD CLAMP TL-25A TTK	
108	310-5029-F20	SUMITUBE F F 20MM	
201	000-P00408-WB	M SCR PH W/FS BLK M4x8	
301	ORA-61025	WH COIN I/O	
302	ORA-61193X	AC24V COIN CUTE BOX	
303	600-6972-0150	WIRE HARN EARTH ID5 0150MM	
/	FAS-500061	HEX NUT STN INCH NO.8-32	
/	060-S00400	SPR WSHR M4	
/	060-F00400	FLT WSHR M4	

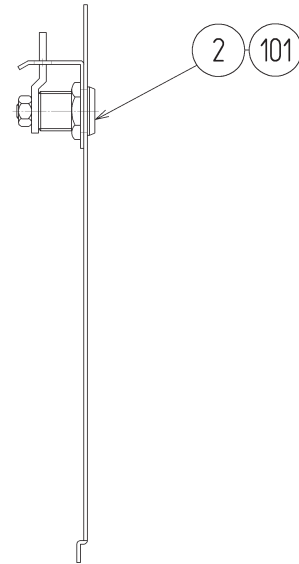
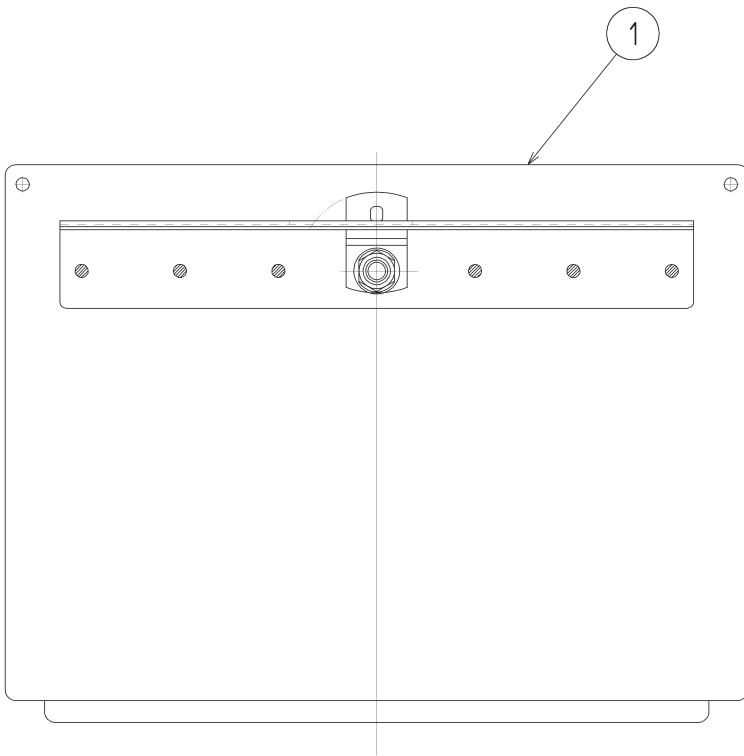
1
CABINET (COCKPIT, DLP, BILLBOARD)

23 SW UNIT (ORA-3450)



ITEM NO.	PART NO.	DESCRIPTION	NOTE
1	ORA-3451	SW BRKT	
2	421-12043	STICKER SW PANEL	
101	838-14548	SW & VOL BD	
201	000-P00308-WB	M SCR PH W/FS BLK M3 x 8	

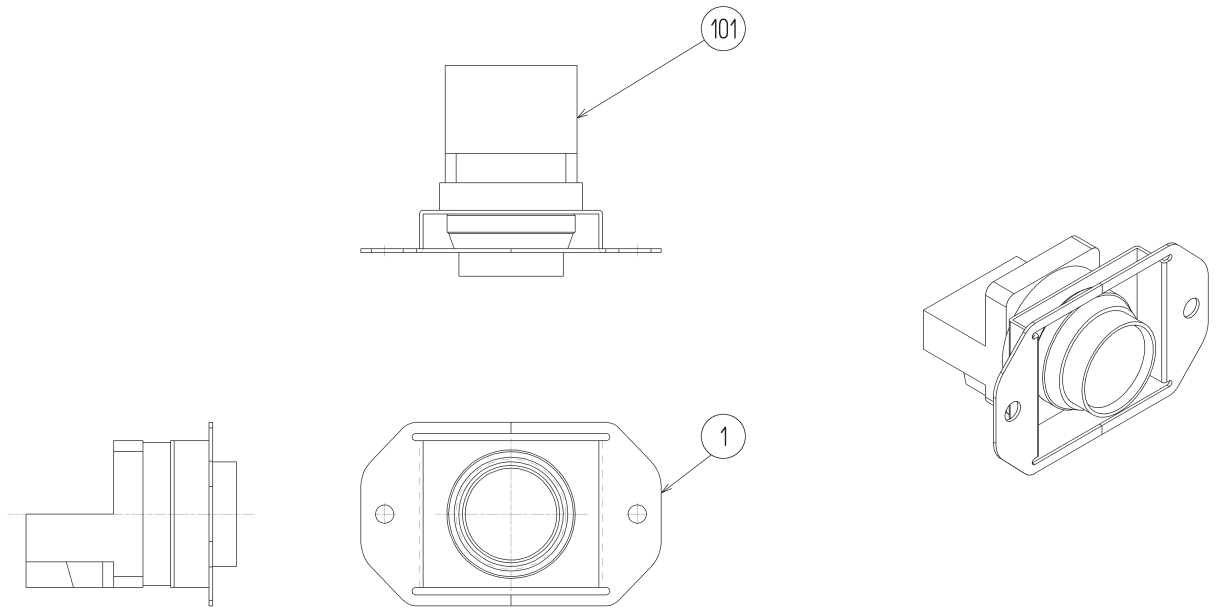
24 ASSY MOTOR DRIVER DOOR (ORA-3300)



→ CABINET (COCKPIT, DLP, BILLBOARD)

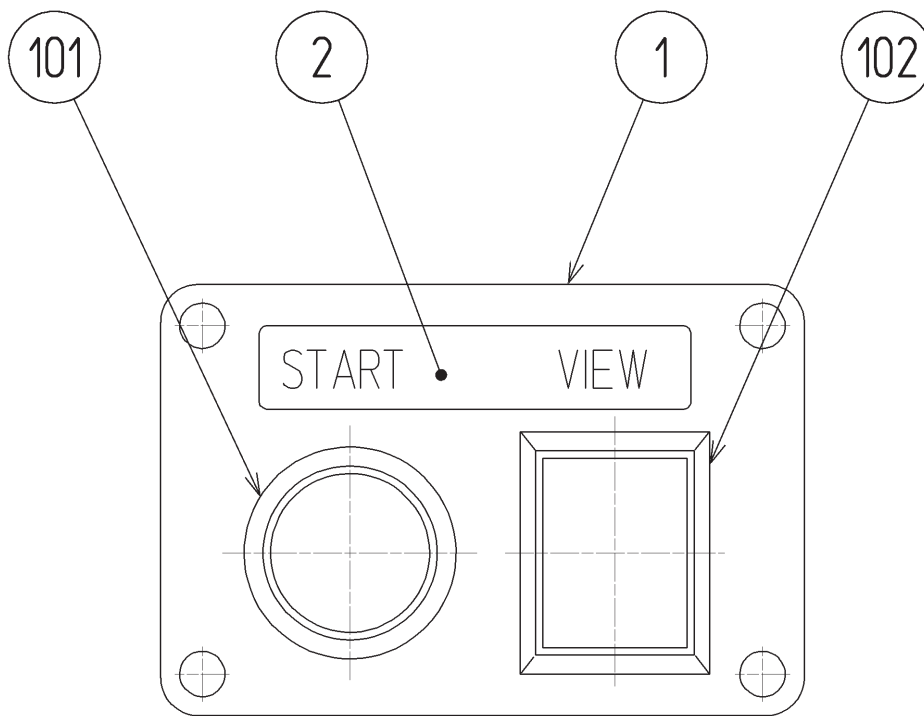
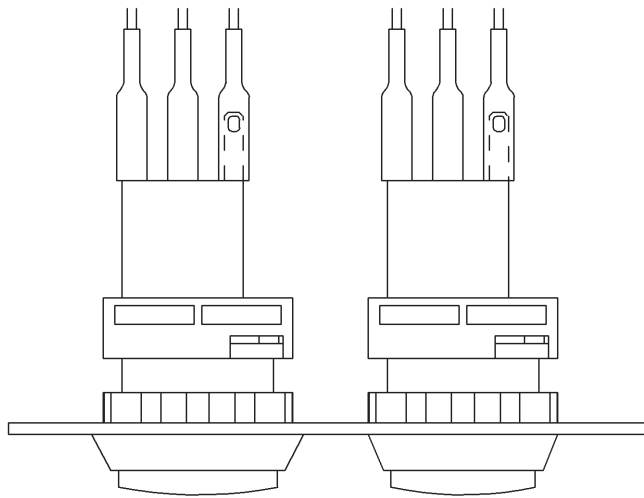
ITEM NO.	PART NO.	DESCRIPTION	NOTE
1	ORA-3301	MOTOR DRIVER DOOR	
2	DP-1148X	LKG TNG	
101	220-5793-1-A001	CLY LOCK MASTER W/O KEY A001	

25 ASSY MOTION STOP SW (ORA-3350)



ITEM NO.	PART NO.	DESCRIPTION	NOTE
1	ORA-3351	MOTION STOP SW BASE	
101	509-6109-91	SW PB ABN2F10R ROHS	
301	ORA-61100X	WH MOTION STOP SW	

26 ASSY START SW (ORA-3400)

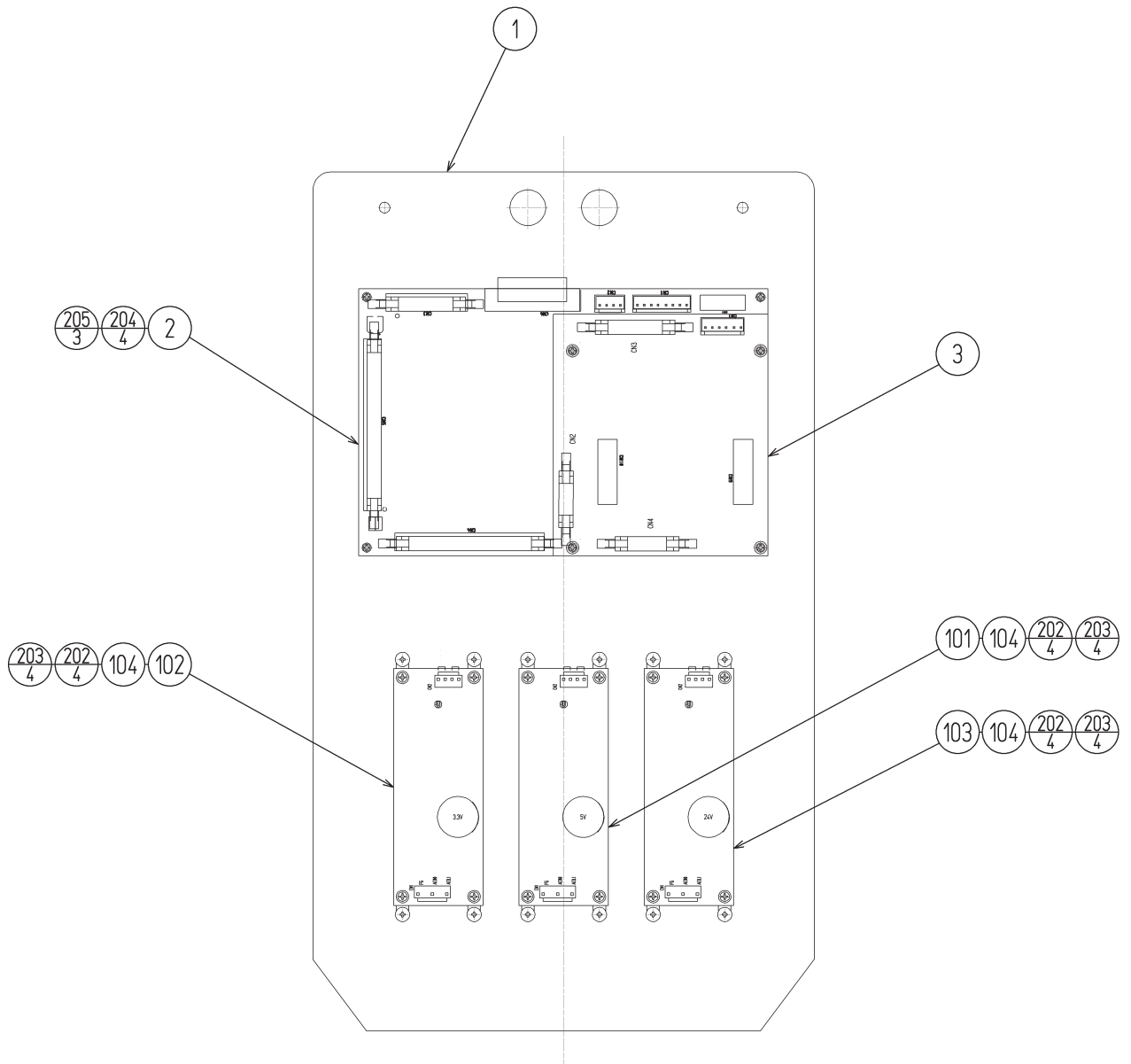


ITEM NO.	PART NO.	DESCRIPTION	NOTE
1	CFT-2301	SW PLATE	
2	TOF-2152	STICKER START/VIEW	
101	509-5838-Y	SW PB LW1L-15Y-TK1670	
102	509-5495-04	PUSH BUTTON RED	
301	ORA-61039X	WH FRONT START & VIEW SW	

27 ASSY ACT CONTROL ELEC (ORA-4300)

(D-1/2)

CABINET (COCKPIT, DLP, BILLBOARD)



27 ASSY ACT CONTROL ELEC (ORA-4300)**(D-2/2)**

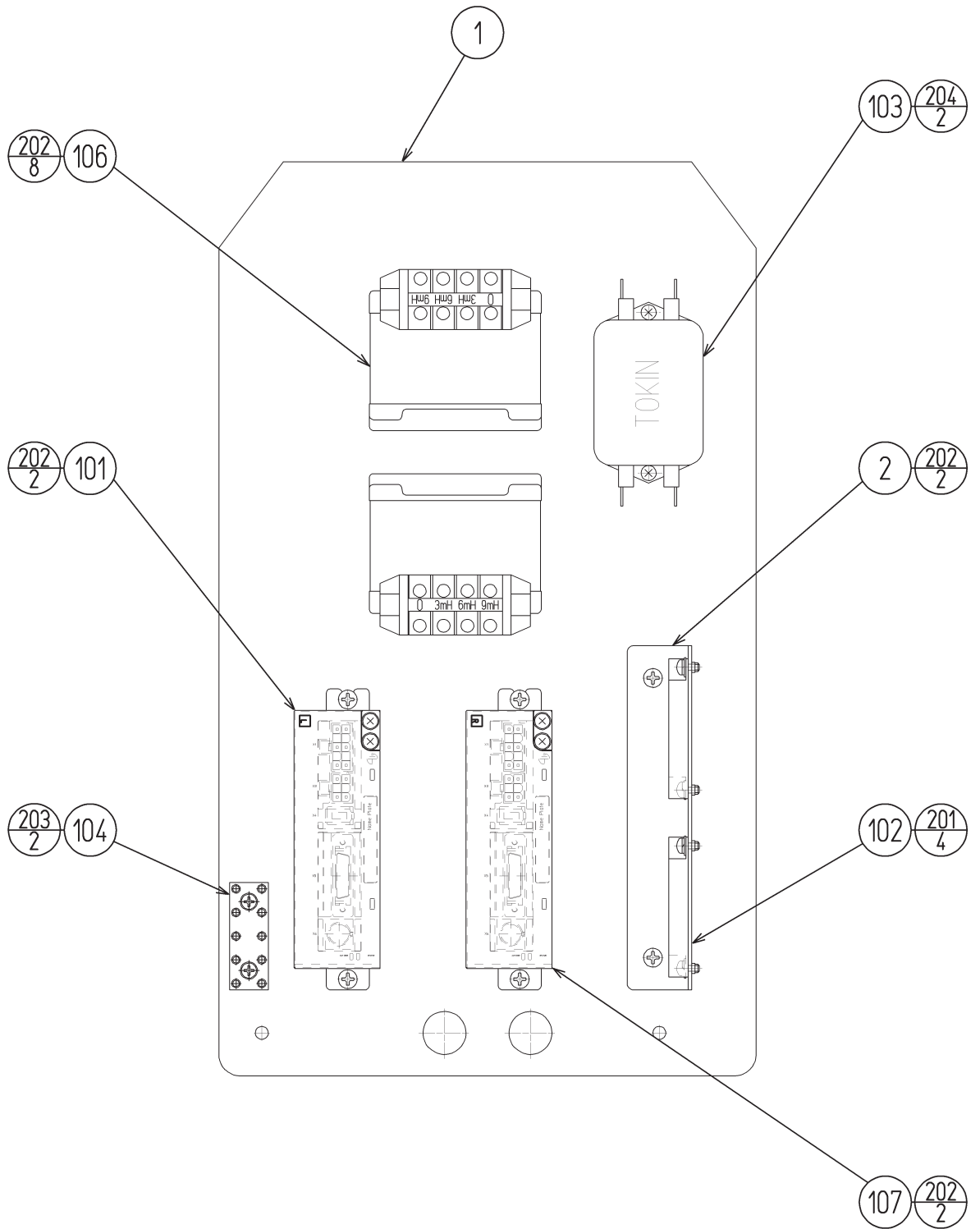
ITEM NO.	PART NO.	DESCRIPTION	NOTE
1	ORA-4301	ACT CONTROL ELEC BASE	
2	837-14634	CONTROL BD ORA	
3	837-14612	MCC05V2 X2 BD	
101	400-5421-03005Y	SW REGU LCA30S-5-Y	
102	400-5421-03003	SW REGU LCA30S-3	
103	400-5421-03024Y	SW REGU LCA30S-24-Y	
104	280-6681	L-LOCK LT-320PCG	
105	280-5277	CORD CLAMP 18	
106	280-6676	CORD CLAMP TL-25A TTK	
107	601-11770-36015	SPACER M3 HIROSUGI C-301.5	
201	011-F03516	TAP SCR FH 3.5x16	
202	000-P00308-WB	M SCR PH W/FS BLK M3 x 8	
203	011-T03516	TAP SCR TH 3.5x16	
204	FAS-110021	TAP SCR PH #1 3X40	
205	011-P00320	TAP SCR PH 3x20	
301	ORA-61063X	WH AC100V ACT CTRL REGU IN EXP	
302	ORA-61141X	WH ACT CTRL ELEC DC	
303	ORA-61142X	WH ACT CTRL I/O	
304	ORA-61145	WH MOTION STOP IN	
305	ORA-61058	WH TAIL LAMP EXT FRONT	
306	ORA-61132X	WH SERIAL SHI/O IN	
/	HDF-4102	SW REGU BRKT	
/	050-H00400	HEX NUT M4	
/	060-S00400	SPR WSHR M4	
/	060-F00400	FLT WSHR M4	
/	117-5402-10-91	EARTH TERMINAL PLATE 10P	
/	011-F03516	TAP SCR FH 3.5x16	

1 CABINET (COCKPIT, DLP, BILLBOARD)

28 ASSY ACTUATOR ELEC (ORA-4400)

(D-1/2)

CABINET (COCKPIT, DLP, BILLBOARD)



28 ASSY ACTUATOR ELEC (ORA-4400)**(D-2/2)**

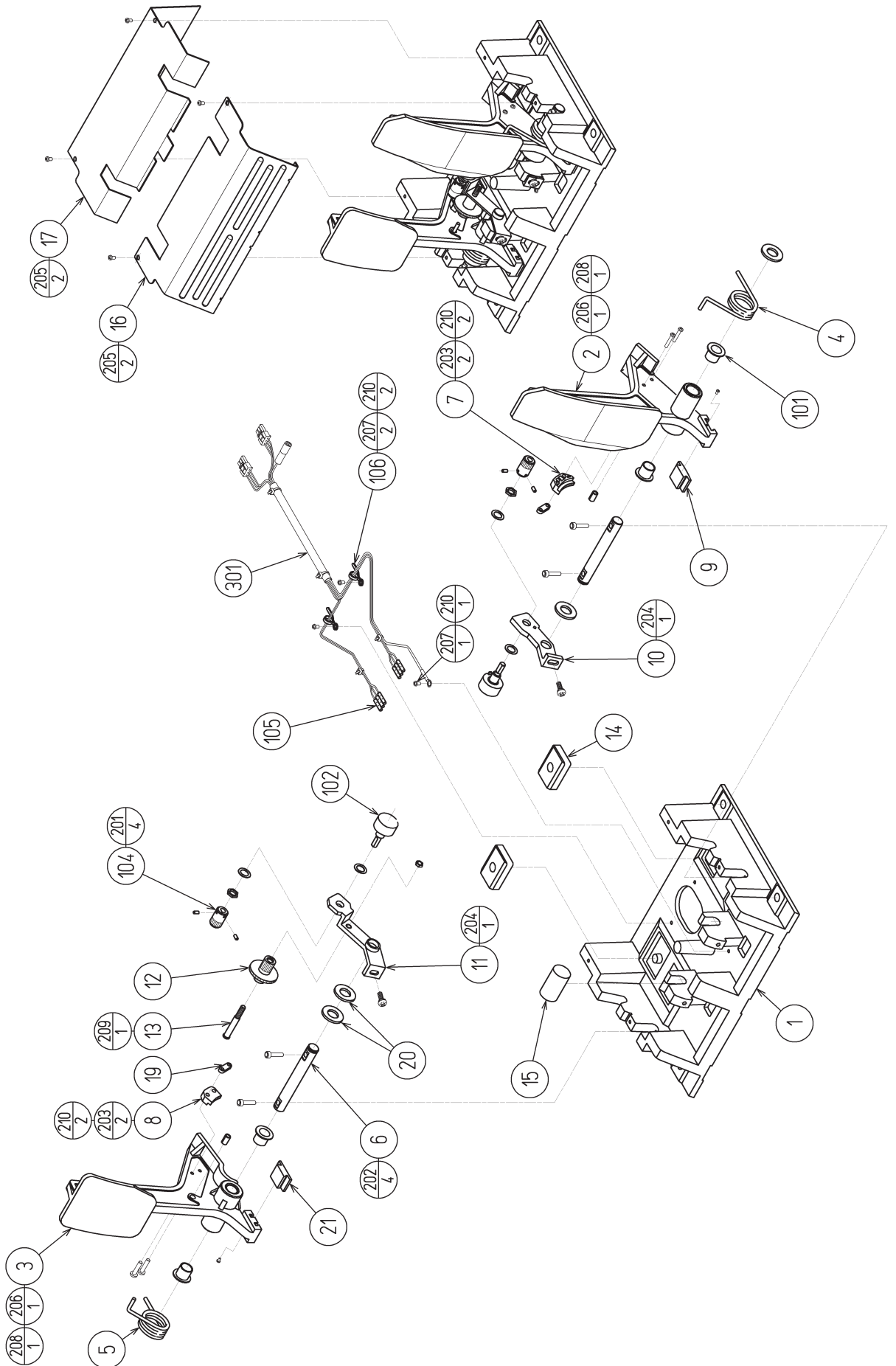
ITEM NO.	PART NO.	DESCRIPTION	NOTE
1	ORA-4401	ACTUATOR ELEC BASE	
2	ORA-4402	ACT RESISTER BRKT	
101	835-14616-01	MOTOR DRIVER MLDET2510 ORA L	
102	601-11750	REGENERATIVE RES DVOP2891	
103	270-5115	NOISE FILTER 15A GT-215J	
104	117-5402-10-91	EARTH TERMINAL PLATE 10P	
105	280-0419	HARNESS LUG	
106	560-5555	REACTOR 200V 10A 3/6/9MH	
107	835-14616-02	MOTOR DRIVER MLDET2510 ORA R	
108	211-5659-02	CONN RCPT 5557-02R-210(MOLEX)	
201	000-P00408-WB	M SCR PH W/FS BLK M4x8	
202	011-T03516	TAP SCR TH 3.5x16	
203	011-F03516	TAP SCR FH 3.5x16	
204	011-T03512-0B	TAP SCR TH BLK 3.5x12	
301	ORA-61144	WH ACT AMP AC PWR	
302	ORA-61171	WH ACT ELEC NF IN	
303	ORA-61158	WH EARTH ACT ELEC TO NF	
304	ORA-61157	WH EARTH ACT AMP	
305	ORA-61002X	WH ACT ELEC AC IN	

↑
CABINET (COCKPIT, DLP, BILLBOARD)

29 ASSY ACCEL&BRAKE (SPG-2200-01)

(D-1/2)

CABINET (COCKPIT, DLP, BILLBOARD)



29) ASSY ACCEL&BRAKE (SPG-2200-01)**(D-2/2)**

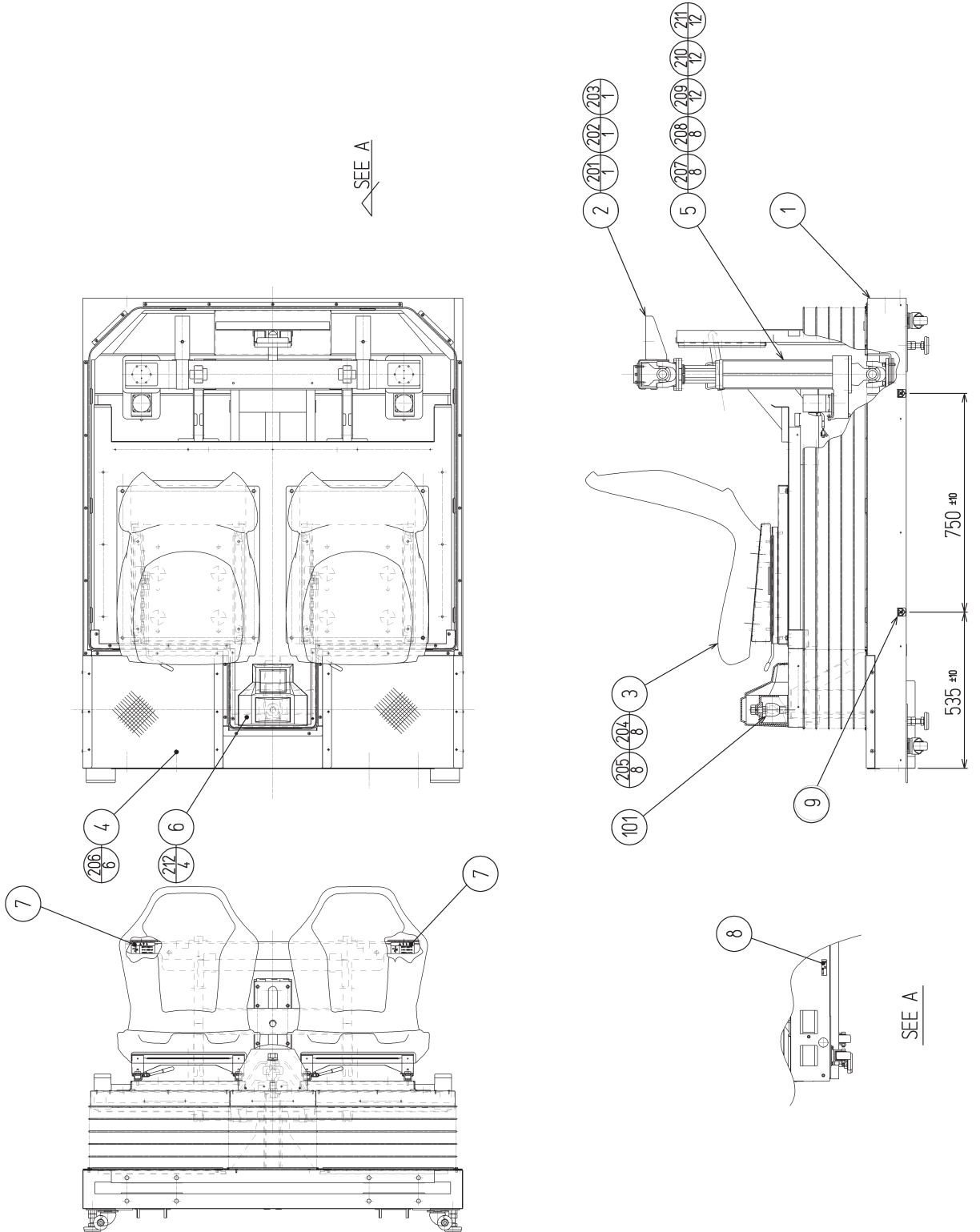
ITEM NO.	PART NO.	DESCRIPTION	NOTE
1	SPG-2201	BASE	
2	SPG-2202	ACCEL PEDAL	
3	SPG-2203	BRAKE PEDAL	
4	SPG-2204	ACCEL SPRING	
5	SPG-2205	BRAKE SPRING	
6	SPG-2206	SHAFT	
7	SPG-2207	ACCEL GEAR	
8	SPG-2208	BRAKE GEAR	
9	SPG-2209	NEUTRAL STOPPER	
10	SPG-2210	VR PLATE ACCEL	
11	SPG-2211	VR PLATE BRAKE	
12	SPG-2212	AMPL GEAR	
13	SPG-2213X	GEAR SHAFT	
14	SPG-2214	STOPPER	
15	SPG-2215	RUBBER CUSHION	
16	SPG-2216	COVER	
17	SPG-2217	VR COVER	
19	SPG-2219	GEAR STAY	
20	SPG-2220	WSHR	
21	SPG-2221	NEUTRAL STOPPER D	
101	100-5263	BEARING 12(OILES 80F-1212)	
102	220-5484	VOL CONT B-5K OHM	
102	220-5753	VOL CONT B-5K OHM (TOCOS)	
104	601-7944	GEAR 15	
105	310-5029-F15	SUMITUBE F F15MM	
106	280-0419	HARNES LUG	
201	028-A00304-P	SET SCR HEX SKT CUP P M3x4	
202	020-000520-OZ	HEX SKT H CAP SCR BLK M5x20	
203	000-P00420	M SCR PH M4x20	
204	000-P00512-W	M SCR PH W/FS M5x12	
205	000-T00408-OC	M SCR TH CRM M4x8	
206	FAS-450005	SPR PIN BLK OZ 6X10	
207	000-P00405	M SCR PH M4x5	
208	FAS-000001	M SCR TH CRM M3X6	
209	050-H00500	HEX NUT M5	
210	060-F00400	FLT WSHR M4	
301	600-6840-01	WIRE HARN ACCEL&BRAKE YL	

CABINET (COCKPIT, DLP, BILLBOARD)

30 ASSY REAR CABI (ORA-3500)

(D-1/2)

CABINET (COCKPIT, DLP, BILLBOARD)



30 ASSY REAR CABI (ORA-3500)**(D-2/2)**

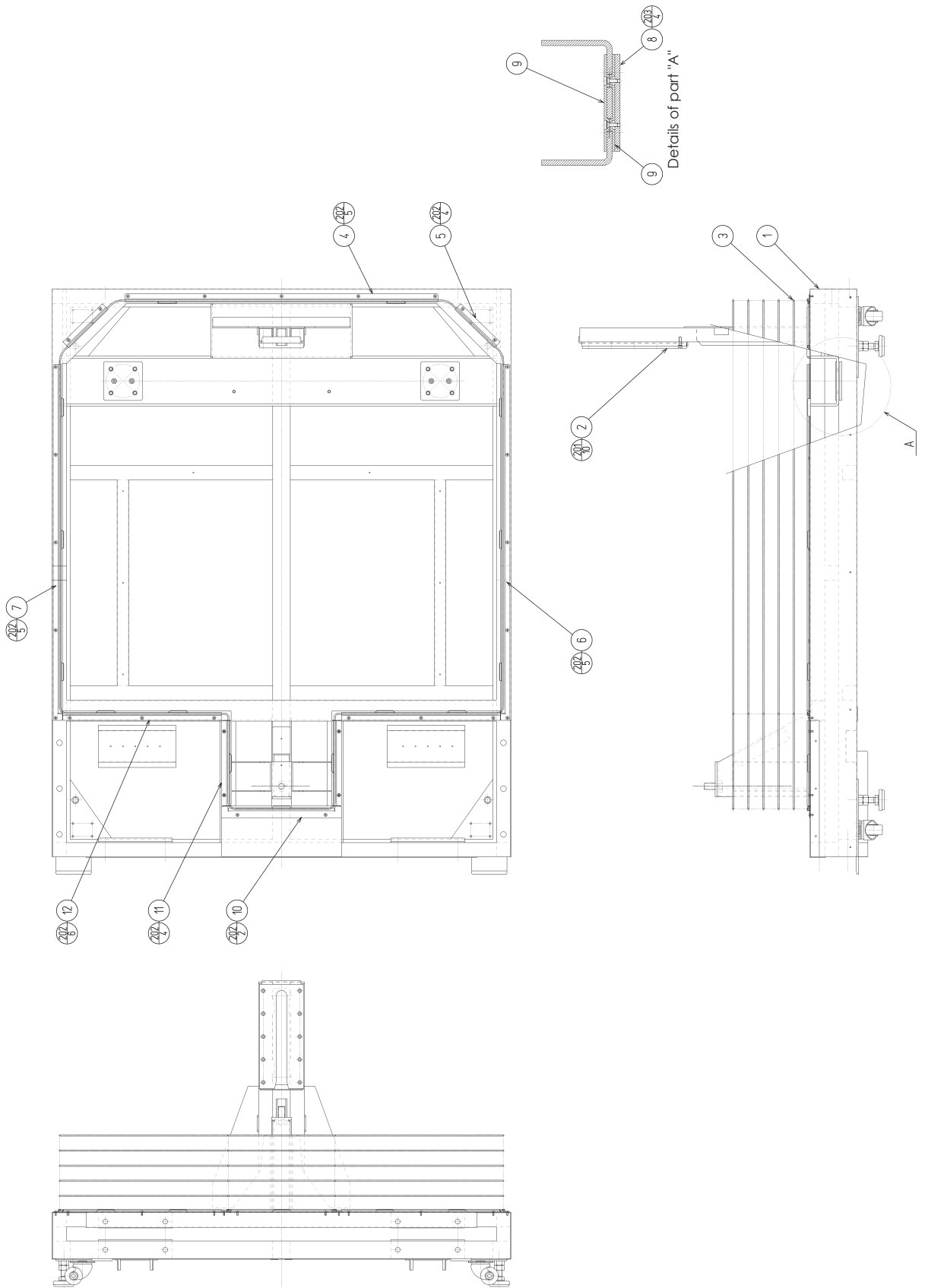
ITEM NO.	PART NO.	DESCRIPTION	NOTE
1	ORA-3501	ASSY SUB CABI REAR	
2	ORA-3600	ASSY RIDE FRAME	
3	ORA-3700	ASSY SEAT	
4	ORA-3750	ASSY FLOOR	
5	ORA-3800	ACTUATOR UNIT	
6	ORA-3511X	CONSOLE COVER	
7	440-WS0315-EG	STICKER W FINGER ENG	
9	421-11416	STICKER CAUTION FORK	
10	SGM-4566	POLY COVER 1500X1900X1200	
101	601-11771	LINKBALL RBI 18D	
102	280-5277	CORD CLAMP 18	
103	280-6676	CORD CLAMP TL-25A TTK	
104	280-5292	CORD CLAMP 18 PUSH TYPE	
105	280-5169	CORD CLAMP TL-20S	
106	270-5117	FERRITE CORE TDK ZCAT3035-1330	
201	FAS-500004	HEX NUT P1.5 M18	
202	060-S01800	SPR WSHR M18	
203	060-F01800	FLT WSHR M18	
204	030-000830-SB	HEX BLT W/S BLK M8x30	
205	060-F00800-OB	FLT WSHR BLK M8	
206	000-T00512-OB	M SCR TH BLK M5x12	
207	FAS-200062	HEX SKT H CAP SCR BLK OZ M8X35	
208	060-S00800	SPR WSHR M8	
209	020-000525-OZ	HEX SKT H CAP SCR BLK OZ M5x25	
210	060-S00500	SPR WSHR M5	
211	060-F00500	FLT WSHR M5	
212	000-T00412-OB	M SCR TH BLK M4x12	
213	000-F00308	M SCR FH M3x8	
301	ORA-61202	WH MOTOR CABLE L	
302	ORA-61203	WH MOTOR CABLE R	
303	ORA-62005X	WH REAR LAMP EXT AC120V EXP	
304	ORA-61059	WH TAIL LAMP EXT REAR	
305	ORA-61138X	WH LIMIT SW	
307	ORA-61204	WH ENCODER CABLE L	
308	ORA-61205	WH ENCODER CABLE R	
/	600-7914-2450	WH EARTH UL1015 AWG10 2450MM	

1 CABINET (COCKPIT, DLP, BILLBOARD)

31 ASSY SUB CABI REAR (ORA-3501)

(D-1/2)

→ CABINET (COCKPIT, DLP, BILLBOARD)

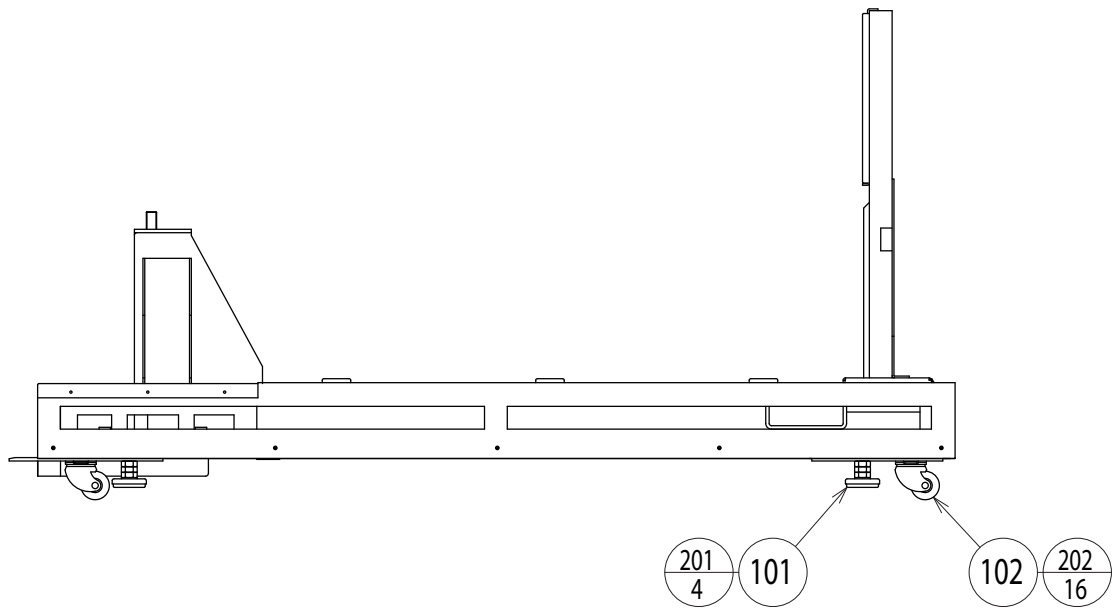


31 ASSY SUB CABI REAR (ORA-3501)**(D-2/2)**

ITEM NO.	PART NO.	DESCRIPTION	NOTE
1	ORA-3502	REAR BASE FRAME	
2	ORA-3503	RIDE PIN GUIDE	
3	ORA-3504	BELLOWS	
4	ORA-3505	BELLOWS HOLDER LOWER REAR	
5	ORA-3506	BELLOWS HOLDER LOWER COR	
6	ORA-3507	BELLOWS HOLDER LOWER SIDE L	
7	ORA-3508	BELLOWS HOLDER LOWER SIDE R	
8	ORA-3509	NUT PLATE ACTUATOR	
9	ORA-3510	INSULATOR PLATE LOWER	
10	ORA-3517	BELLOWS HOLDER LOWER FRONT A	
11	ORA-3518	BELLOWS HOLDER LOWER FRONT B	
12	ORA-3519	BELLOWS HOLDER LOWER FRONT C	
201	020-000620-0Z	HEX SKT H CAP SCR BLK OZ M6x20	
202	000-P00412-WB	M SCR PH W/FS BLK M4x12	
203	000-F00412	M SCR FH M4x12	

1 CABINET (COCKPIT, DLP, BILLBOARD)

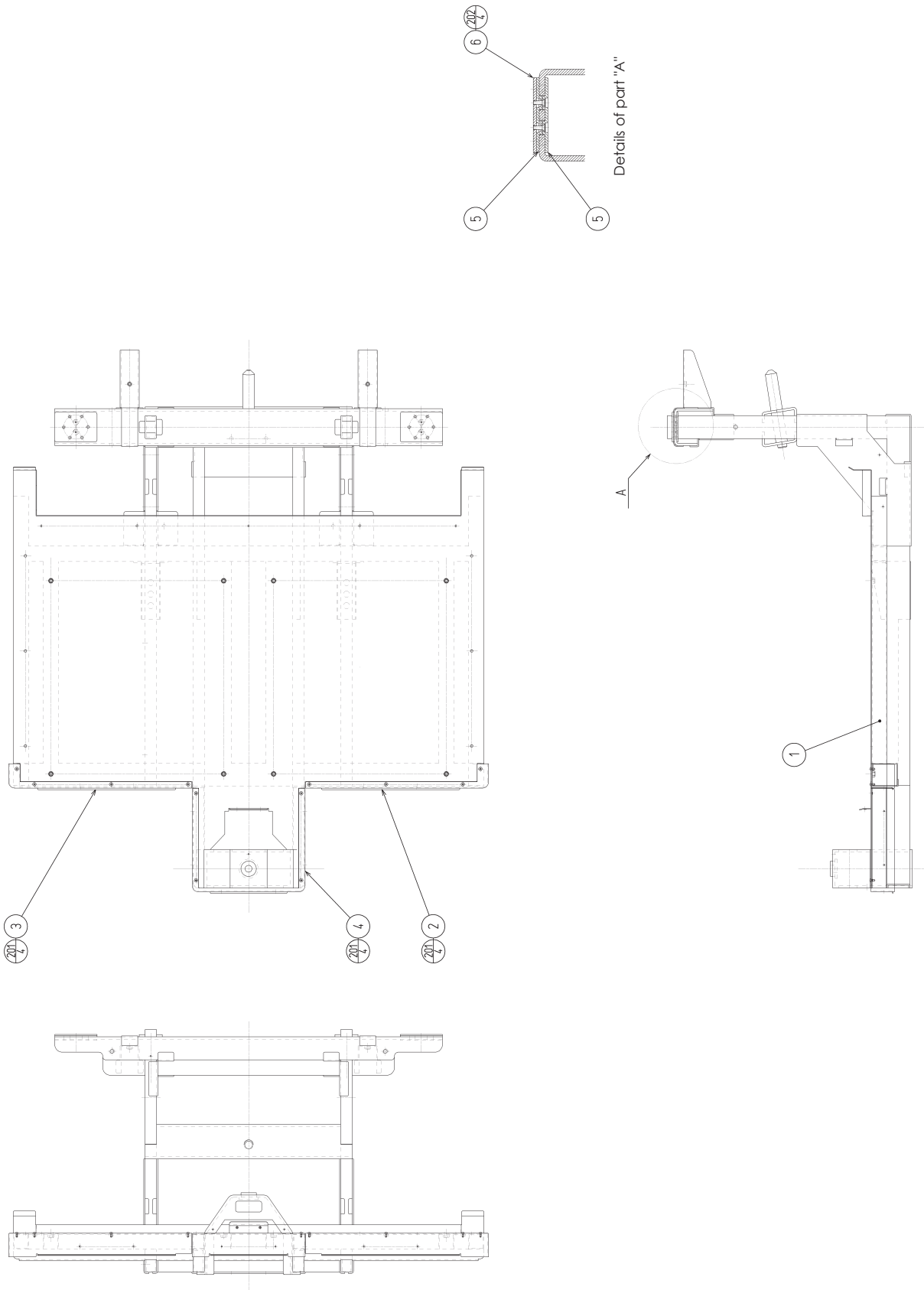
32 REAR BASE FRAME (ORA-3502)



ITEM NO.	PART NO.	DESCRIPTION	NOTE
101	601-5882	LEG ADJUSTER (TAKIGEN C-280-2)	
102	601-6056-01	CASTER 50 PH	
201	050-H01600-3	HEX NUT TYPE3 M16	
202	030-000620-S	HEX BLT W/S M6x20	

33 ASSY RIDE FRAME (ORA-3600)

(D-1/2)

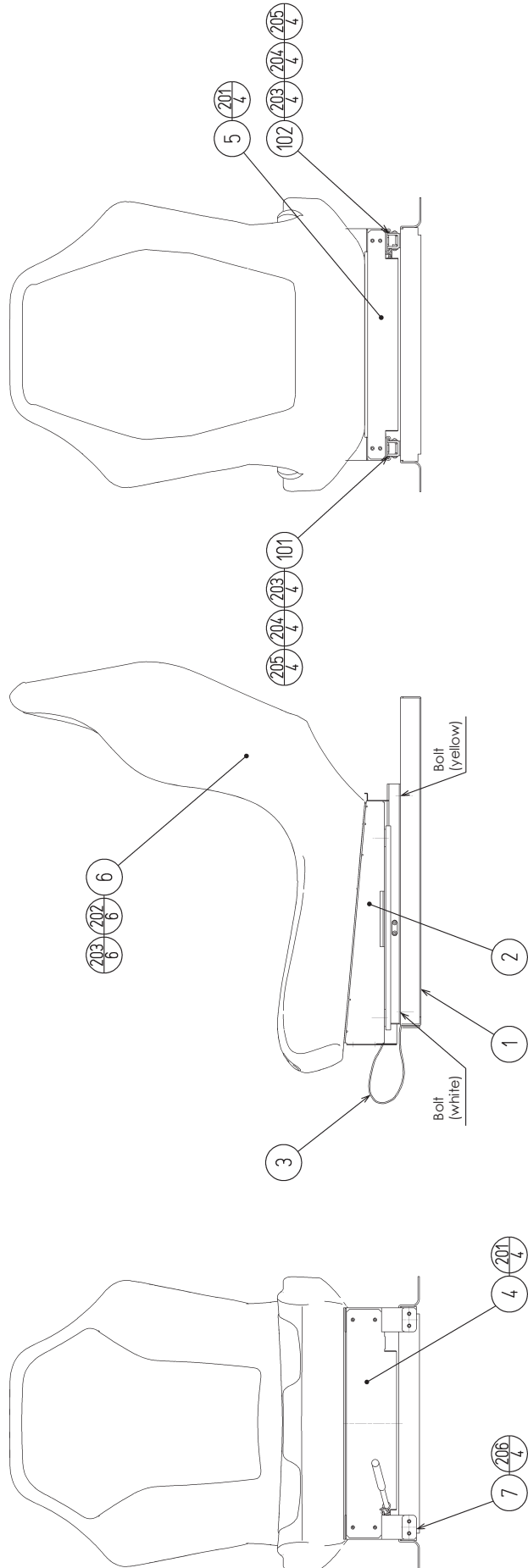
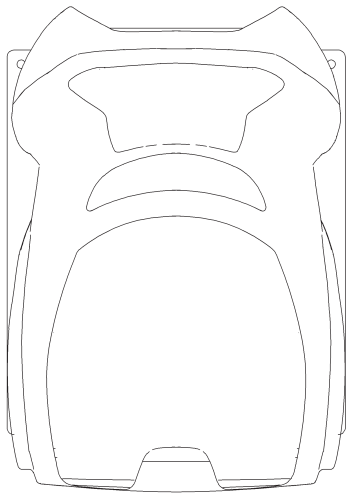


33 ASSY RIDE FRAME (ORA-3600)**(D-2/2)**

ITEM NO.	PART NO.	DESCRIPTION	NOTE
1	ORA-3601	RIDE FRAME	
2	ORA-3602	BELLOWS BASE UPPER L	
3	ORA-3603	BELLOWS BASE UPPER R	
4	ORA-3604	BELLOWS BASE UPPER FRONT	
5	ORA-3605	INSULATOR PLATE UPPER	
6	ORA-3606	UPPER INSULATOR HOLDER	
201	000-T00410-0B	M SCR TH BLK M4x10	
202	000-F00412	M SCR FH M4x12	

34 ASSY SEAT(ORA-3700)

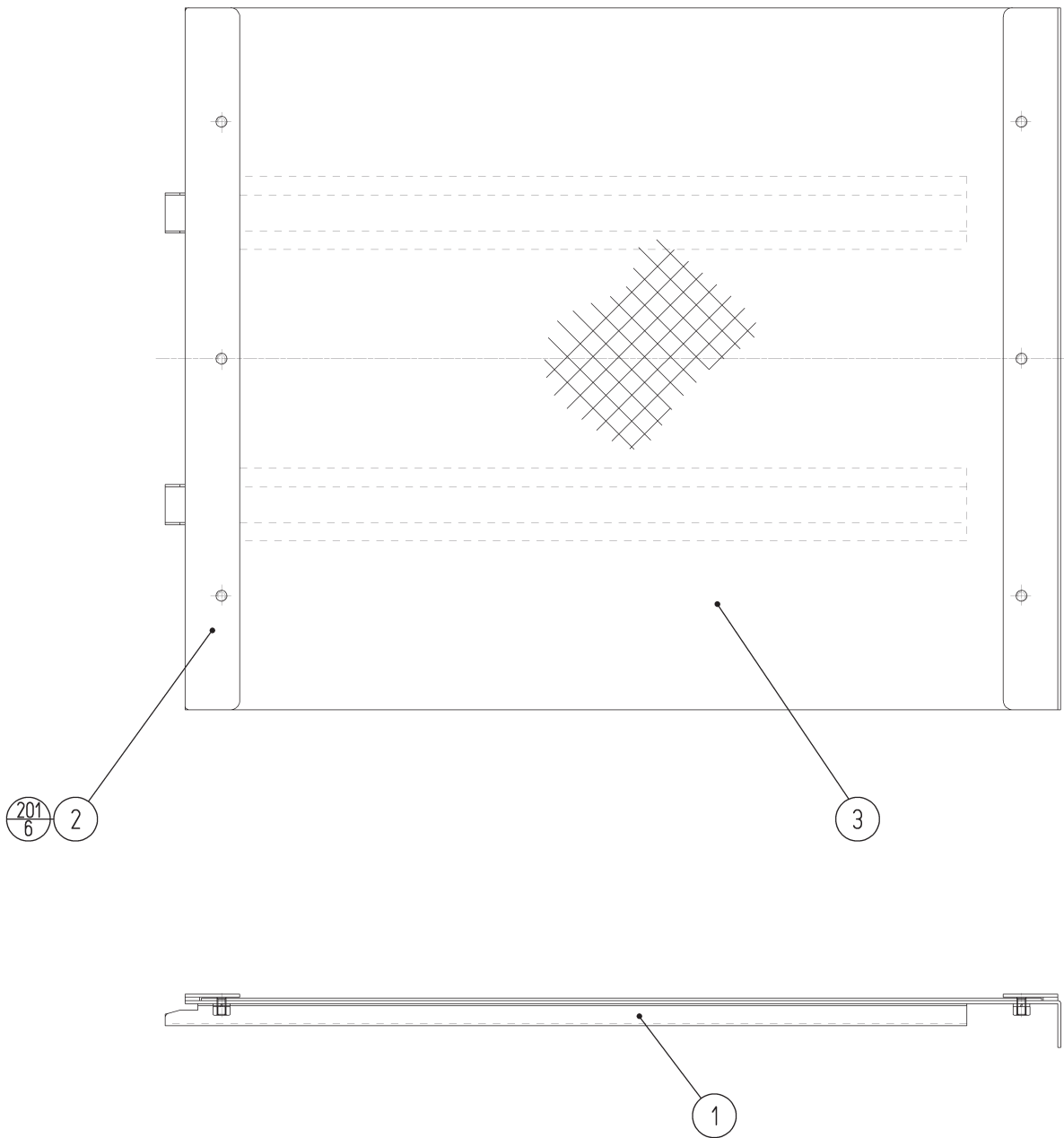
(D-1/2)



34 ASSY SEAT(ORA-3700)**(D-2/2)**

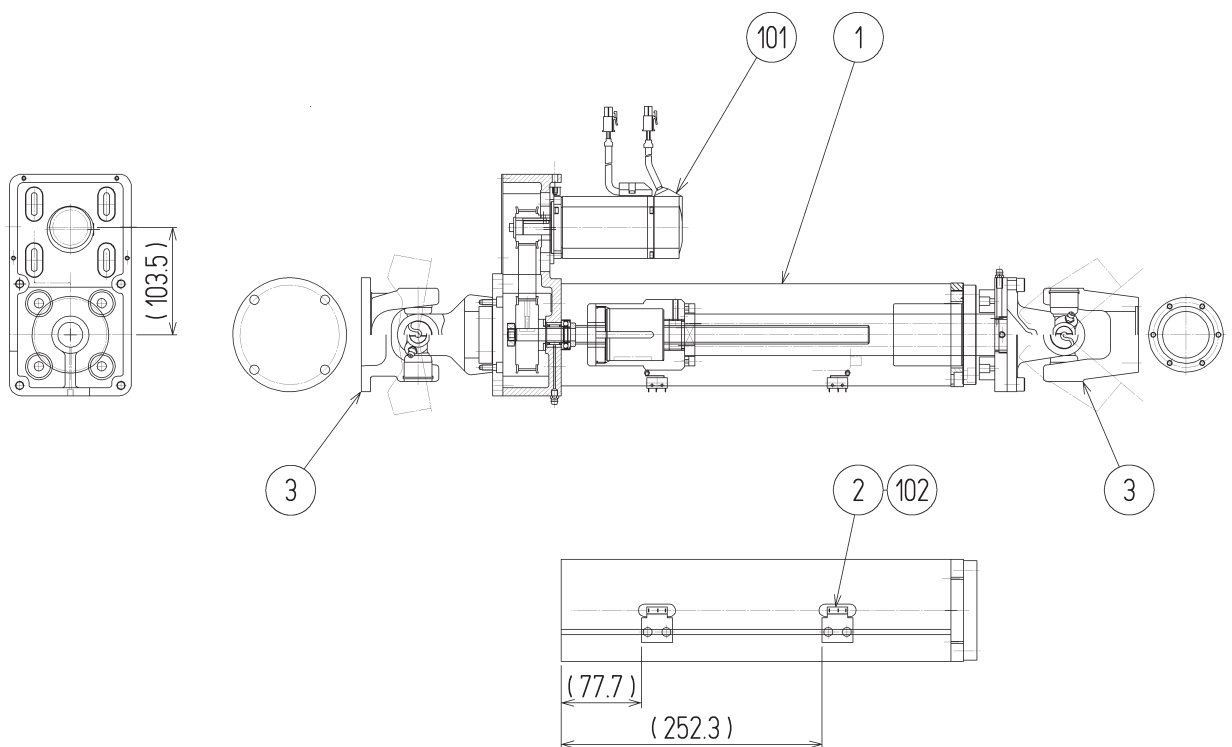
ITEM NO.	PART NO.	DESCRIPTION	NOTE
1	ORA-3701	SEAT BASE	
2	ORA-3702	SEAT SLANT TRAY	
3	SRT-2408	PROTECT RUBBER	
4	FRI-3307X	FRONT TRAY COVER	
5	NCR-2406	REAR TRAY COVER	
6	253-5550	PAN DRIVING SEAT	
7	SPG-2411X	RUBBER PLATE	
101	601-11309-91	SEAT RAIL LONG L ROHS	
102	601-11310-91	SEAT RAIL LONG R ROHS	
201	000-T00408-0B	M SCR TH BLK M4x8	
202	030-000816-S	HEX BLT W/S M8x16	
203	060-F00800	FLT WSHR M8	
204	060-S00800	SPR WSHR M8	
205	050-H00800	HEX NUT M8	
206	000-T00512-0B	M SCR TH BLK M5x12	

35 ASSY FLOOR(ORA-3750)



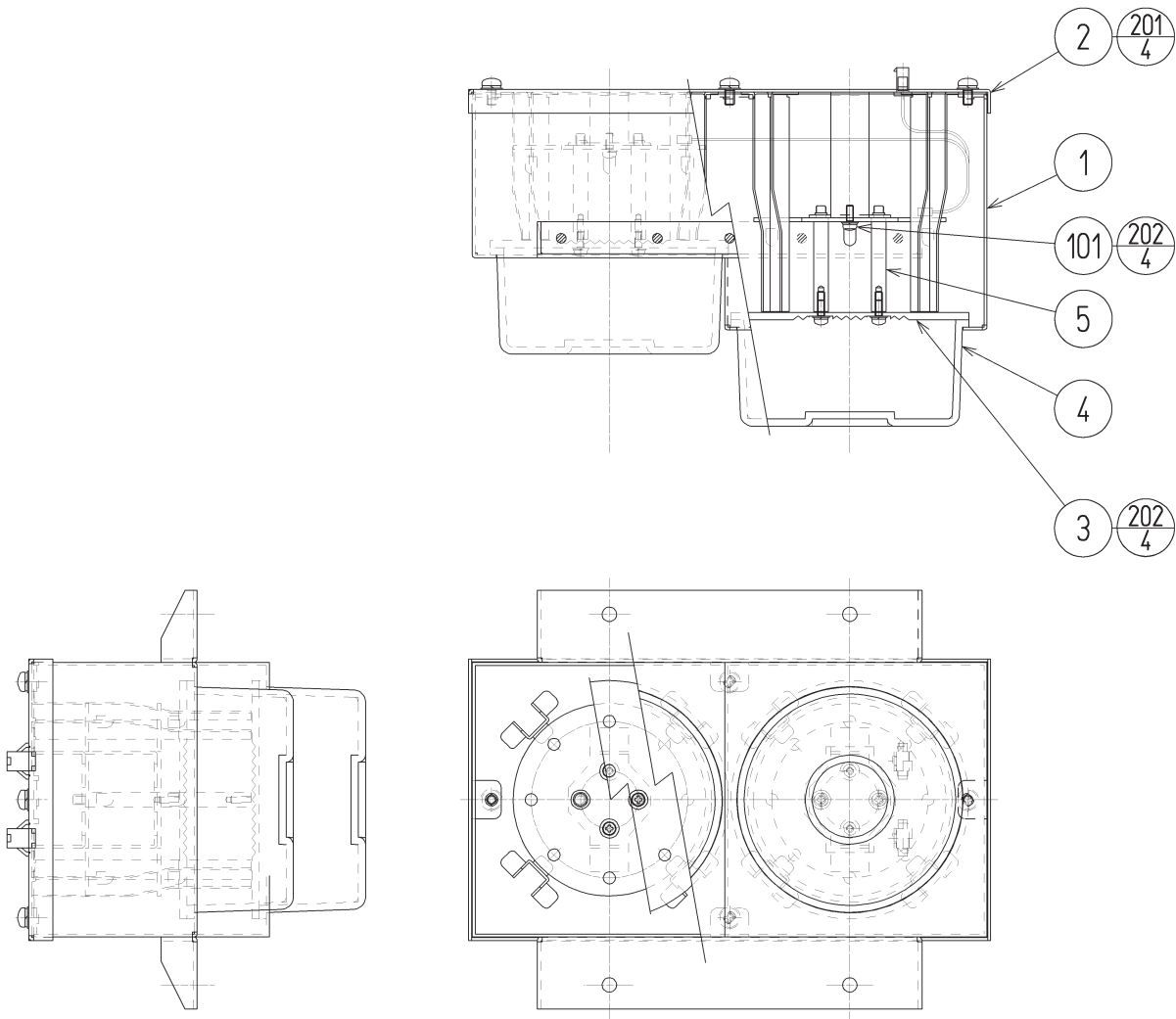
ITEM NO.	PART NO.	DESCRIPTION	NOTE
1	ORA-3751	FLOOR	
2	ORA-3752	FLOOR SHEET SASH	
3	ORA-3754	FLOOR SHEET	
201	050-F00500	FLG NUT M5	

36 ACTUATOR UNIT(ORA-3800)



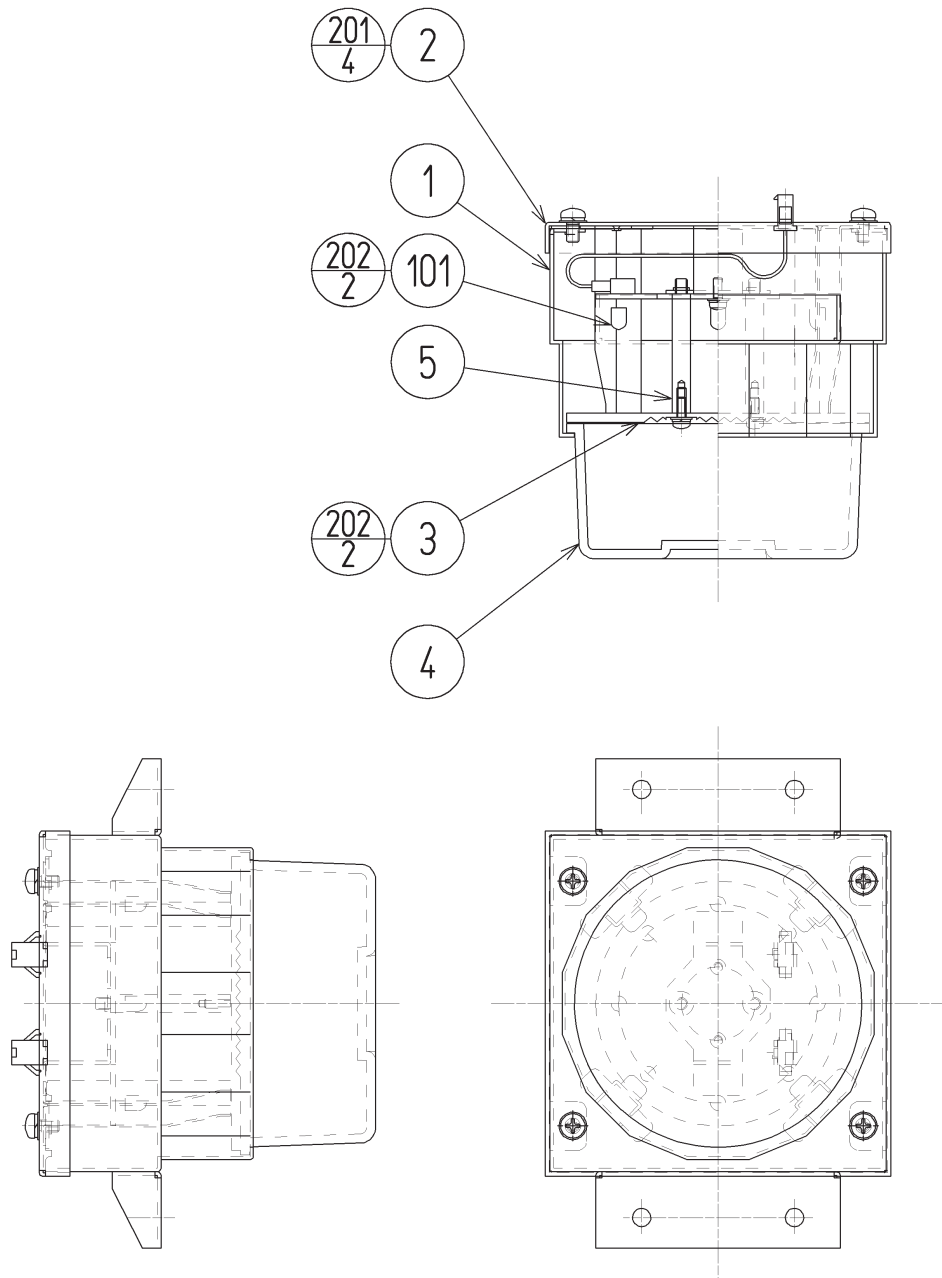
ITEM NO.	PART NO.	DESCRIPTION	NOTE
1	ORA-3801	ACTUATOR	
2	ORA-3802	LIMIT SW HOLDER	
3	ORA-3803	UNIVERSAL JOINT	
101	350-5808	SERVO MOTOR 400W MUMA042P1S	
102	509-6126	SW MICRO SS-5GL2T OMRON	

37 ASSY TAIL LAMP F50 (ORA-3900-01)



ITEM NO.	PART NO.	DESCRIPTION	NOTE
1	ORA-3901	TAIL LAMP BOX BASE F50	
2	ORA-3902	TAIL LAMP BOX COVER F50	
3	ORA-3905	TAIL LAMP PRISM	
4	ORA-3906	TAIL LAMP COVER	
5	ORA-3907	TAIL LAMP SHAFT	
101	838-14617	TAIL LAMP LED BD ORA	
201	000-P00408-W	M SCR PH W/FS M4x8	
202	000-P00308-W	M SCR PH W/FS M3x8	
301	ORA-61087X	WH TAIL LAMP 1 TO 2	
302	ORA-61160	WH TAIL LAMP IN/OUT	

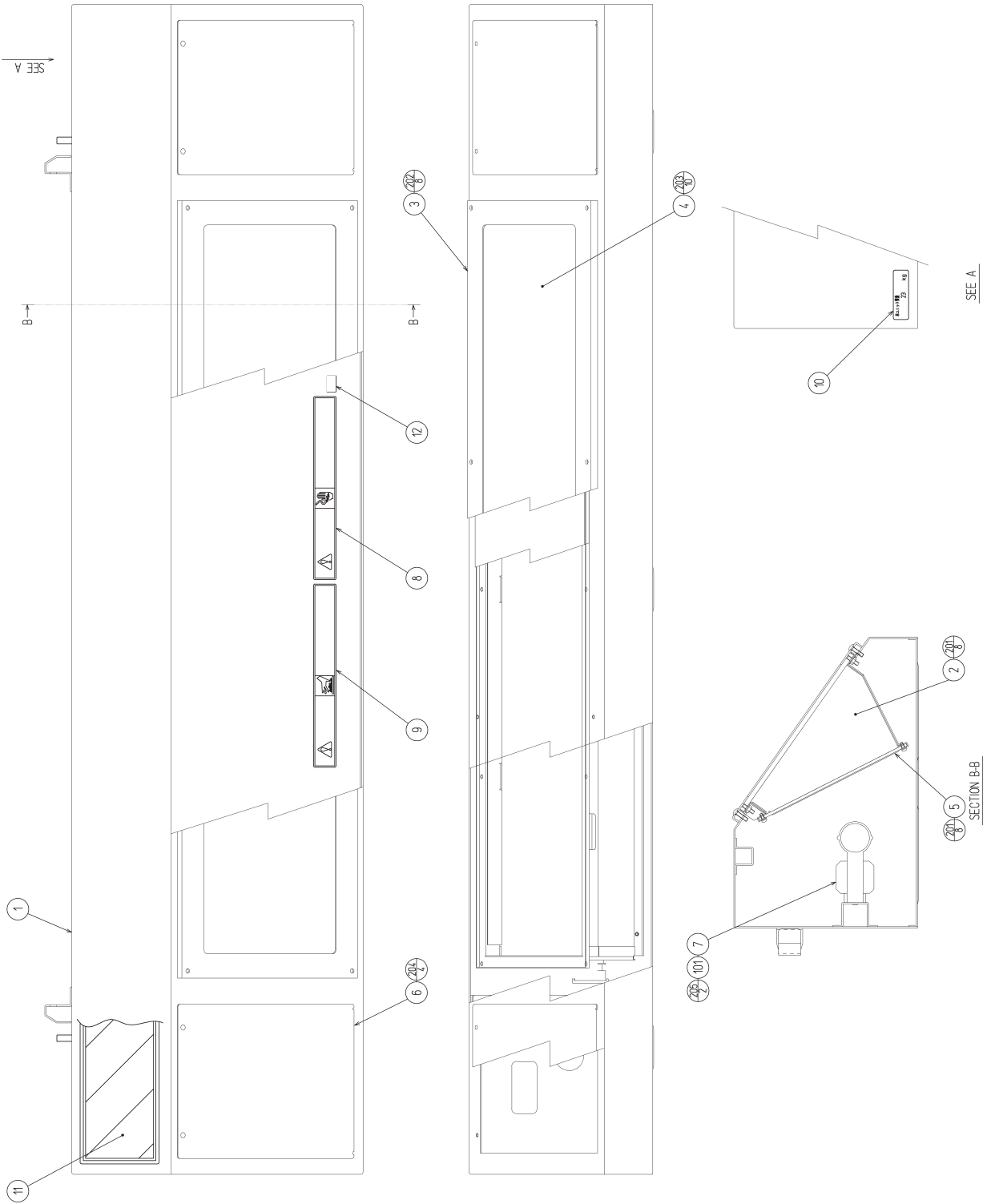
38 ASSY TAIL LAMP SINGLE (ORA-3900-02)



ITEM NO.	PART NO.	DESCRIPTION	NOTE
1	ORA-3903	TAIL LAMP BOX BASE SINGLE	
2	ORA-3904	TAIL LAMP BOX COVER SINGLE	
3	ORA-3905	TAIL LAMP PRISM	
4	ORA-3906	TAIL LAMP COVER	
5	ORA-3907	TAIL LAMP SHAFT	
101	838-14617	TAIL LAMP LED BD ORA	
201	000-P00408-W	M SCR PH W/FS M4x8	
202	000-P00308-W	M SCR PH W/FS M3x8	
301	ORA-61160	WH TAIL LAMP IN/OUT	

39 ASSY REAR LAMP RED (ORA-5000-01)

(D-1/2)



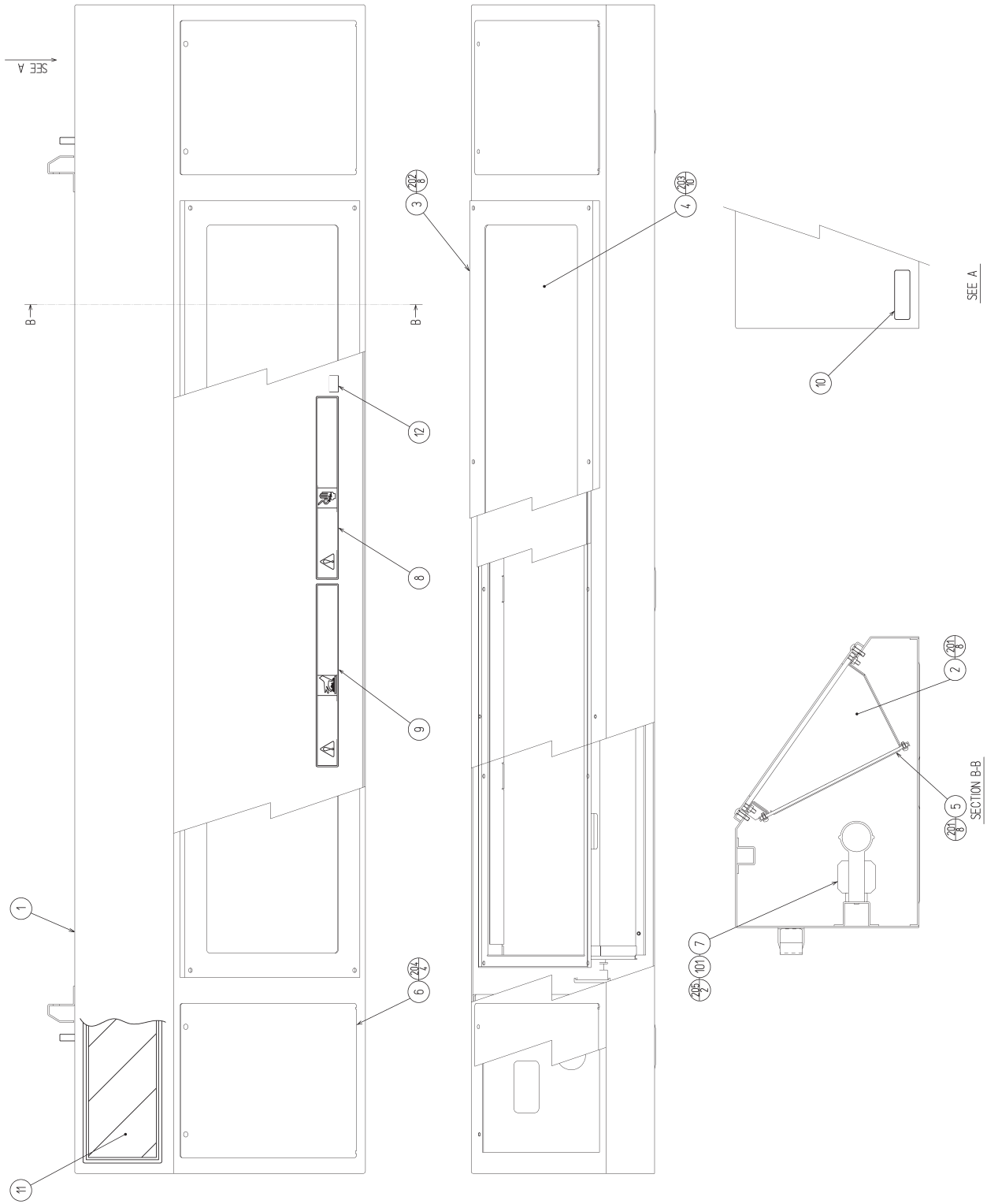
CABINET (COCKPIT, DLP, BILLBOARD)

39 ASSY REAR LAMP RED (ORA-5000-01)**(D-2/2)**

ITEM NO.	PART NO.	DESCRIPTION	NOTE
1	ORA-5001X	REAR LAMP BOX	
2	ORA-5002	BARRIER	
3	ORA-5003	OUTER FRAME	
4	ORA-5004-01UL	ACRYL PLATE RED UL	
5	ORA-5005	PRISM PLATE	
6	ORA-5006	SIDE LID	
7	253-5457	FL HOLDER	
8	440-WS0143-EG	STICKER W POWER OFF WIDE ENG	
9	440-WS0027-EG	STICKER W HIGH TEMP WIDE ENG	
11	ORA-5007	STICKER STRIPES	
12	421-7501-51	STICKER FL25W	
101	390-6850-25	ASSY FL25W UL	
102	280-5275-SR10	CORD CLAMP SR10	
103	601-5526-180	BUSH 1.6T	
201	000-P00308-W	M SCR PH W/FS M3x8	
202	000-T00416-0B	M SCR TH BLK M4x16	
203	050-F00400	FLG NUT M4	
204	000-T00408-0B	M SCR TH BLK M4x8	
205	000-P00430-W	M SCR PH W/FS M4x30	
301	ORA-62006Y	WH REAR LAMP FL IN AC120V EXP	

40 ASSY REAR LAMP YELLOW (ORA-5000-02)

(D-1/2)

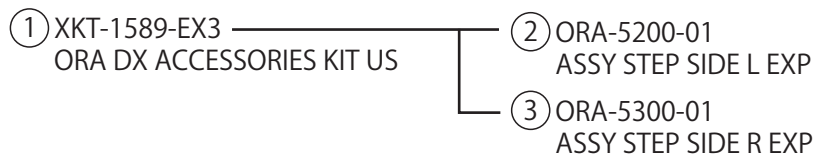


CABINET (COCKPIT, DLP, BILLBOARD)

40 ASSY REAR LAMP YELLOW (ORA-5000-02)**(D-2/2)**

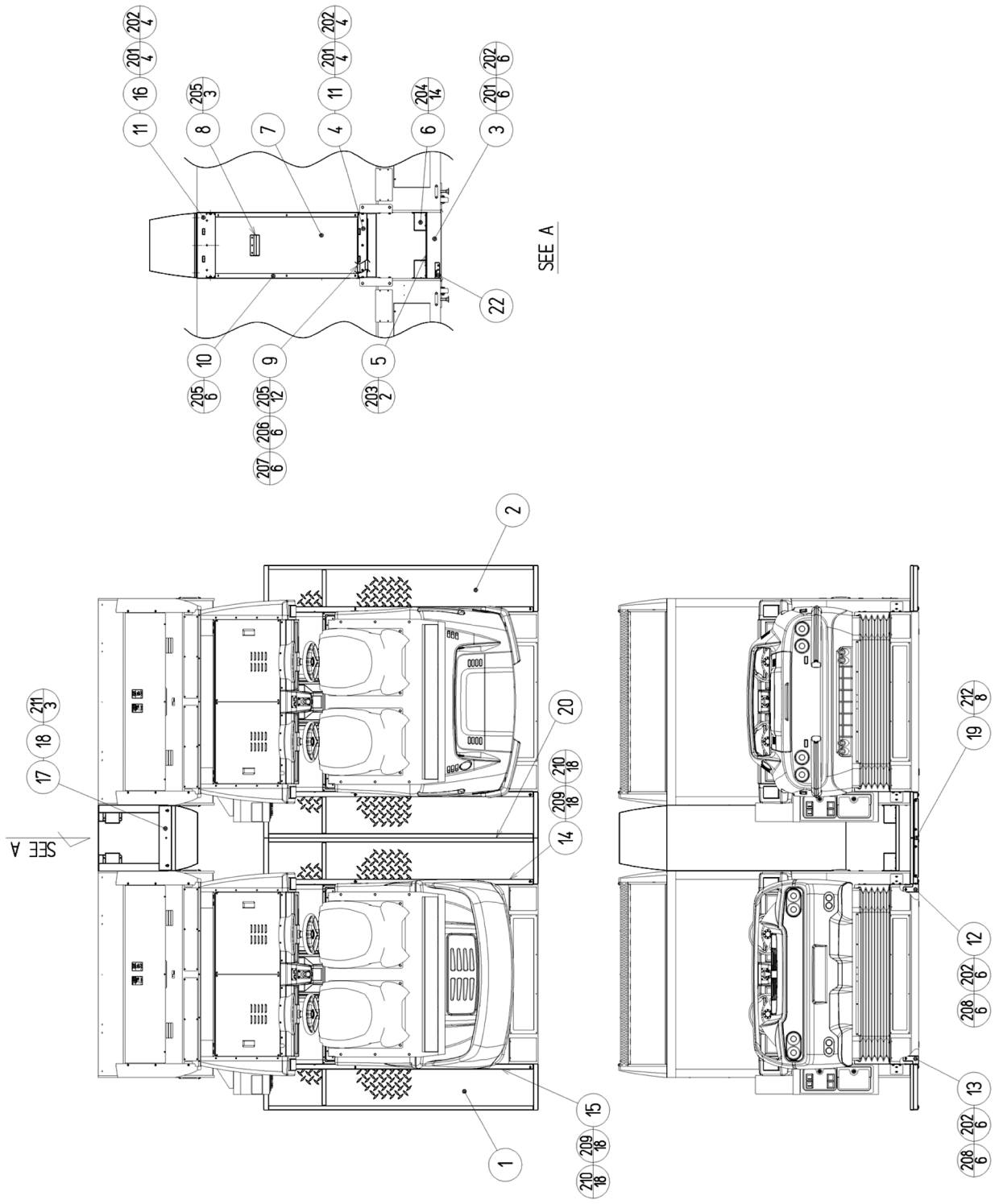
ITEM NO.	PART NO.	DESCRIPTION	NOTE
1	ORA-5001X	REAR LAMP BOX	
2	ORA-5002	BARRIER	
3	ORA-5003	OUTER FRAME	
4	ORA-5004-02UL	ACRYL PLATE YELLOW UL	
5	ORA-5005	PRISM PLATE	
6	ORA-5006	SIDE LID	
7	253-5457	FL HOLDER	
8	440-WS0143-EG	STICKER W POWER OFF WIDE ENG	
9	440-WS0027-EG	STICKER W HIGH TEMP WIDE ENG	
11	ORA-5007	STICKER STRIPES	
12	421-7501-51	STICKER FL25W	
101	390-6850-25	ASSY FL25W UL	
102	280-5275-SR10	CORD CLAMP SR10	
103	601-5526-180	BUSH 1.6T	
201	000-P00308-W	M SCR PH W/FS M3x8	
202	000-T00416-0B	M SCR TH BLK M4x16	
203	050-F00400	FLG NUT M4	
204	000-T00408-0B	M SCR TH BLK M4x8	
205	000-P00430-W	M SCR PH W/FS M4x30	
301	ORA-62006Y	WH REAR LAMP FL IN AC120V EXP	

2 ACCESSORY KIT (STEP)



1 ORA DX ACCESSORIES KIT US (XKT-1589-EX3)

(D-1/2)

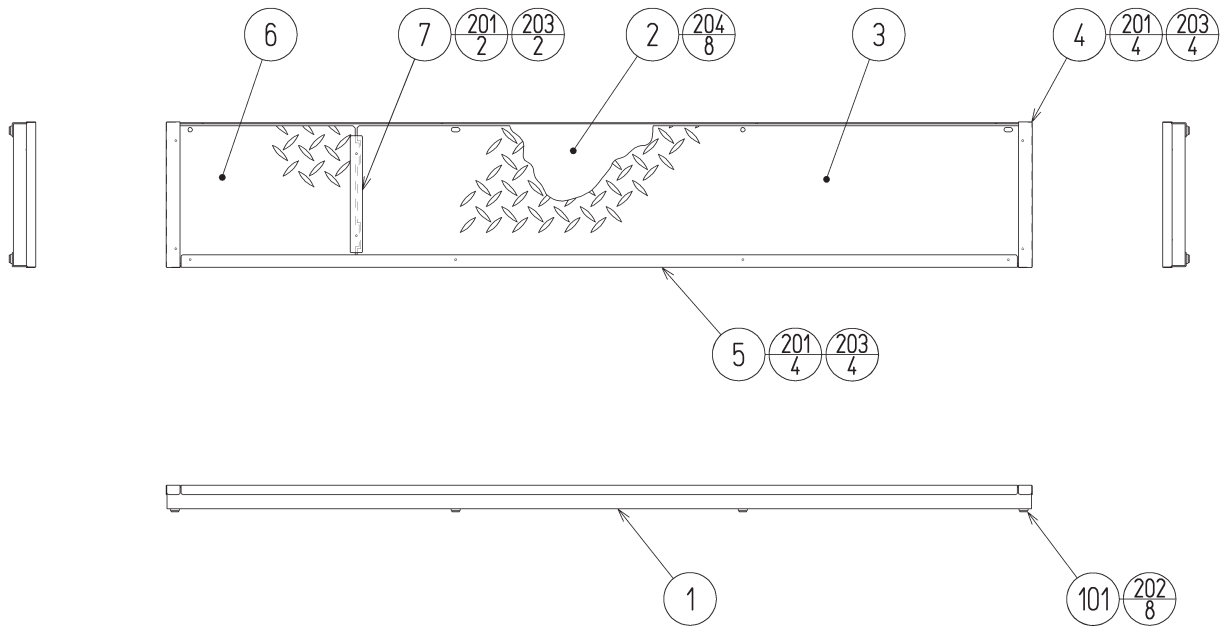


1 ORA DX ACCESSORIES KIT US (XKT-1589-EX3)**(D-2/2)**

ITEM NO.	PART NO.	DESCRIPTION	NOTE
1	ORA-5200-01	ASSY STEP SIDE L EXP	
2	ORA-5300-01	ASSY STEP SIDE R EXP	
3	ORA-0001	DLP JOINT LOWER	
4	ORA-0002	DLP JOINT MIDDLE	
5	ORA-0004X	DLP JOINT LOWER COVER	
6	ORA-0005	DLP JOINT WIRE COVER	
7	ORA-0006	DLP SIDE PLATE	
8	ORA-0007	DLP SIDE PLATE HANDLE	
9	ORA-0008	DLP SIDE PLATE HOLDER	
10	ORA-0009	DLP SIDE SPACER	
11	ORA-0015	DLP JOINT HOLDER	
12	ORA-0018	STEP HOLDER L	
13	ORA-0019	STEP HOLDER R	
14	ORA-0020	STEP LID L	
15	ORA-0021	STEP LID R	
16	ORA-0024	DLP JOINT UPPER DX	
17	ORA-0025	PLATE HOLDER	
18	ORA-0026	CENTER PLATE	
19	ORA-0027	JOINT BRKT	
20	ORA-0028	CR SPONGE FOR STEP	
22	421-9107-92-019	STICKER UNIT WEIGHT 19KG	
101	211-5679	LAN JOINT ACROS ALA615	
201	030-000830-SB	HEX BLT W/S BLK M8x30	
202	068-852216-0B	FLT WSHR BLK 8.5-22x1.6	
203	000-P00408-WB	M SCR PH W/FS BLK M4x8	
204	000-P00416-WB	M SCR PH W/FS BLK M4x16	
205	011-T03512	TAP SCR TH 3.5x12	
206	030-000616-SB	HEX BLT W/S BLK M6x16	
207	060-F00600-0B	FLT WSHR BLK M6	
208	030-000820-SB	HEX BLT W/S BLK M8x20	
209	000-T00516-0B	M SCR TH BLK M5x16	
210	068-552016-0B	FLT WSHR BLK 5.5-20x1.6	
211	000-P00520-WB	M SCR PH W/FS BLK M5x20	
212	000-T00616-0B	M SCR TH BLK M6x16	
213	000-P00408	M SCR PH M4x8	
214	060-S00400	SPR WSHR M4	
215	060-F00400	FLT WSHR M4	
401	610-0727-0015	DVD SOFT KIT ORA	
402	610-0719-01-91	DVD-DRIVE UNIT USB	
403	605-0094	ASSY WIRE DVD FOR LINDBERGH	
404	420-7004-02	OWNERS MANUAL ORA DX UL	
405	420-7005-01	SERVICE MANUAL ORA DX ENG	
406	420-7006-02	PARTS CAT ORA DX UL	
407	420-6921-01	SERVICE MANUAL LBG ENG	
408	420-6923-01	SERVICE MANUAL DVP ENG	
409	220-5793-2-A001	KEY MASTER A001	
411	220-5753	VOL CONT B-5K OHM (TOCOS)	
	220-5484	VOL CONT B-5K OHM	
412	509-5704	SW MICRO TYPE (OMRON K3L 13)	
413	090-0083	GREASE GUN UNIT	
414	090-0289	AFB GREASE (THK)	
416	270-5117	FERRITE CORE TDK ZCAT3035-1330	
417	540-0007-01	WRENCH M5 TMP SCR	

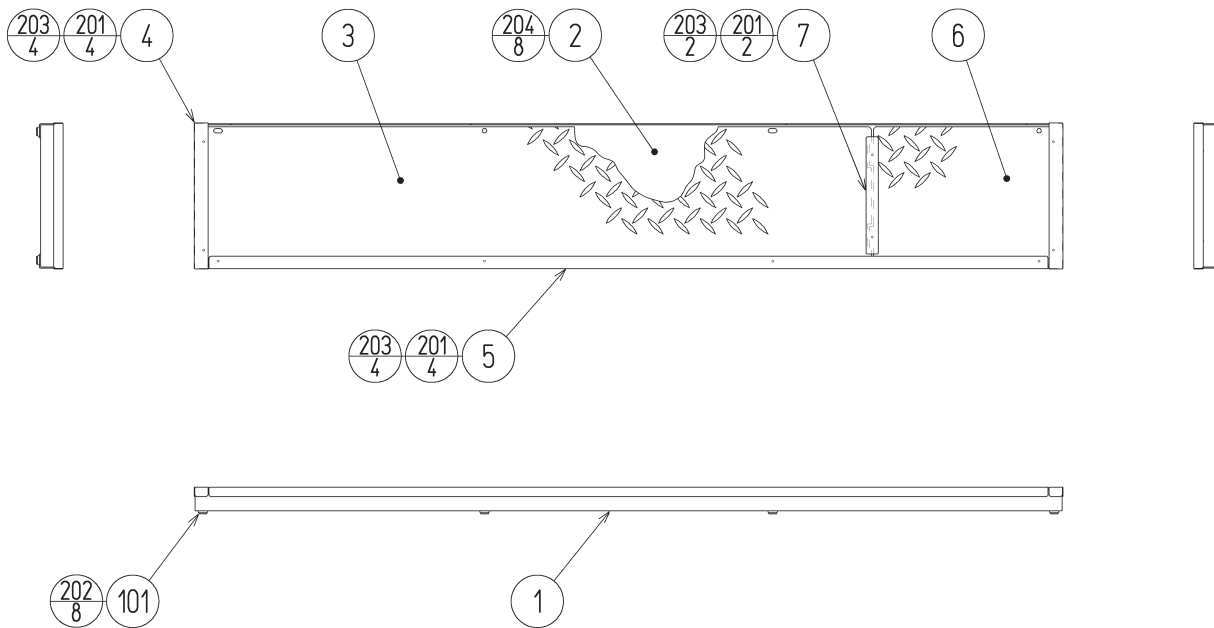
② ASSY STEP SIDE L EXP (ORA-5200-01)

2 ACCESSORY KIT (STEP)



ITEM NO.	PART NO.	DESCRIPTION	NOTE
1	ORA-5201X	STEP BASE SIDE L	
2	ORA-5202	WOOD STEP SIDE L	
3	ORA-5203	STEP SHEET SIDE L	
4	ORA-5204	END SASH SIDE	
5	ORA-5105	SIDE SASH	
6	ORA-5206	STEP SHEET SILVER SIDE	
7	ORA-5207	SHEET HOLDER SIDE	
101	601-11773-02	CUSHION FOOT TM-201-2	
201	050-F00500	FLG NUT M5	
202	000-P00412-S	M SCR PH W/S M4x12	
203	068-552016	FLT WSHR 5.5-20 x1.6	
204	011-T03516	TAP SCR TH 3.5x16	

3 ASSY STEP SIDE R EXP (ORA-5300-01)



ITEM NO.	PART NO.	DESCRIPTION	NOTE
1	ORA-5301X	STEP BASE SIDE R	
2	ORA-5302	WOOD STEP SIDE R	
3	ORA-5303	STEP SHEET SIDE R	
4	ORA-5204	END SASH SIDE	
5	ORA-5105	SIDE SASH	
6	ORA-5206	STEP SHEET SILVER SIDE	
7	ORA-5207	SHEET HOLDER SIDE	
101	601-11773-02	CUSHION FOOT TM-201-2	
201	050-F00500	FLG NUT M5	
202	000-P00412-S	M SCR PH W/S M4x12	
203	068-552016	FLT WSHR 5.5-20 x1.6	
204	011-T03516	TAP SCR TH 3.5x16	