

SEGA®

センターファイル

OWNER'S MANUAL



IMPORTANT


- Before using this product, read this manual carefully to understand the contents herein stated.
- After reading this manual, be sure to keep it near the product or in a convenient place for easy reference when necessary.


BEFORE USING THE PRODUCT, BE SURE TO READ THE FOLLOWING:


To maintain safety:

To ensure the safe operation of this product, be sure to read the following before usage. The following instructions are intended for the users, operators and the personnel in charge of the operation of the product. After carefully reading and sufficiently understanding the warning displays and cautions, handle the product appropriately. Be sure to keep this manual close to the product or in a convenient place for future reference.


Herein, explanations which require special attention are enclosed with dual lines. Depending on the potentially hazardous degrees, the terms of DANGER, WARNING, CAUTION, etc. are used. Be sure to understand the contents of the displays before reading the text.


 **DANGER** Indicates that mishandling the product by disregarding this pictograph will cause severe injury or death.

 **WARNING** Indicates that mishandling the product by disregarding this warning will cause a potentially hazardous situation which can result in death or serious injury.

 **CAUTION** Indicates that mishandling the product by disregarding this caution will cause a slight hazardous situation which can result in personal injury and/or material damage.

For the safe usage of the product, the following pictographs are used:

 Indicates "HANDLE WITH CARE." In order to protect the human body and equipment, this display is attached to places where the instruction manual should be referred to.

 Indicates a "protective earth terminal." Before operating the equipment, be sure to connect it to the ground.
(The step may be omitted for products in which a power cable with earth is used.)

- **Perform work in accordance with the instructions herein stated.**
Instructions for work are explained by paying attention to the aspect of accident prevention. Failing to perform work as per the instructions can cause accidents. In the case where only those who have technical expertise should perform the work to avoid hazardous situation, the instructions herein state that the site maintenance personnel should perform such work.
- **Be sure to turn off the power before working on the machine.**
To prevent an electric shock, be sure to turn off the power and unplug the power cable before carrying out any work that requires direct contact with the interior of the product. If the work is to be performed in the power-on status, the instruction manual herein always states to that effect.
- **Be sure to ground the earth terminal.**
(This is not required in the case where a power cable with earth is used.)
This product is equipped with the earth terminal. When installing the product, connect the earth terminal to the "accurately grounded indoor earth terminal" by using an earth wire. Unless the product is grounded appropriately, the user can be subject to an electric shock. After performing repair, etc. for the control equipment, ensure that the earth wire is firmly connected to the control equipment.
- **Ensure that the power supply used is equipped with an earth leakage breaker.**
Using a power supply which is not equipped with the earth leakage breaker can cause a fire when earth leakage occurs.
- **Be sure to use fuses which meet the specified rating.**
(Only for the machines which use fuses.)
Using fuses exceeding the specified rating can cause a fire and an electric shock.

• **Specification changes (removal of equipment, conversion and addition) not designated by SEGA are not allowed.**

The parts of the product include warning labels for safety, covers for personal protection, etc. It is very hazardous to operate the product by removing parts and/or modifying the circuits. Should doors, lids and protective parts be damaged or lost, refrain from operating the product, and contact where the product was purchased from or the office herein stated.

SEGA shall not be held responsible for any accidents, compensation for damage to a third party, resulting from the specifications not designated by SEGA.

• **Ensure that the product meets the requirements of appropriate electrical specifications.**

Before installing the product, check for electrical specifications. SEGA products have a nameplate on which electrical specifications are described. Ensure that the product is compatible with the power supply voltage and frequency requirements of the location. Using any electrical specifications different from the designated specifications can cause a fire and an electric shock.

• **Install and operate the product in places where appropriate lighting is available, allowing warning labels to be clearly read.**

To ensure safety for the customers, labels and printed instructions describing potentially hazardous situations are applied to places where accidents can be caused. Ensure that where the product is operated has sufficient lighting allowing the warnings to be read. If any label is peeled off, apply it again immediately. Please place an order with where the product was purchased from or the office herein stated.

• **When handling the monitor, be very careful. (Applies only to products with monitors.)**

Some of the monitor parts are subject to high tension voltage. Even after turning off the power, some portions are still subject to high tension voltage sometimes. Monitor repair and replacement should be performed only by those technical personnel who have knowledge of electricity and technical expertise.

• **Be sure to adjust the monitor properly. (Applies only to products with monitors.)**

Do not operate the product leaving on-screen flickering or blurring as it is. Using the product with the monitor not properly adjusted may cause dizziness or a headache to an operator, a player, or the customers.

• **When transporting or reselling this product, be sure to attach this manual to the product.**

* *In the case where commercially available monitors and printers are used in this product, only the contents relating to this product are explained herein. Some commercially available equipment has functions and reactions not stated in this manual. Read this manual together with the specific instruction manual of such equipment.*

* *Descriptions herein contained may be subject to improvement changes without notice.*

* *The contents described herein are fully prepared with due care. However, should any question arise or errors be found, please contact SEGA.*

INSPECTIONS IMMEDIATELY AFTER TRANSPORTING THE PRODUCT TO THE LOCATION

Normally, at the time of shipment, SEGA products are in a status allowing for usage immediately after transporting to the location. Nevertheless, an irregular situation may occur during transportation. Before turning on the power, check the following points to ensure that the product has been transported in a satisfactory status.

- Are there any dented portions or defects (cuts, etc.) on the external surfaces of the cabinet?
- Are casters and adjusters damaged?
- Do the power supply voltage and frequency requirements meet with those of the location?
- Are all wiring connectors correctly and securely connected? Unless connected in the correct way, connector connections can not be made accurately. Do not insert connectors forcibly.
- Do power cables have cuts and dents?
- Are all accessories available?
- Can all doors and lids be opened with the accessory keys? Can doors and lids be firmly closed?

TABLE OF CONTENTS

BEFORE USING THE PRODUCT, BE SURE TO READ THE FOLLOWING:

TABLE OF CONTENTS	i
INTRODUCTION	v
Definition of 'Site Maintenance Personnel or Other Qualified Individuals'.....	vi

1 HANDLING PRECAUTIONS	1
-------------------------------	----------

2 PRECAUTIONS REGARDING INSTALLATION LOCATION	4
2-1 LIMITATIONS OF USAGE	4
2-2 OPERATION AREA	5

3 PRECAUTIONS REGARDING PRODUCT OPERATION	7
3-1 BEFORE OPERATION	7
3-2 PAYING ATTENTION TO CUSTOMERS	9

4 PART DESCRIPTIONS	12
----------------------------	-----------

5 ACCESSORIES	14
----------------------	-----------

6 ASSEMBLY AND INSTALLATION	16
6-1 ATTACHING THE LCD	19
6-2 INSTALLING THE CABINET	25
6-3 CONNECTING THE CONTROLLER CABINET TO THE LCD CABINET	27
6-4 CONNECTING THE SEAT CABINET TO THE CONTROLLER CABINET	28
6-5 ATTACHING THE ROOF FRAME	32
6-6 ATTACHING THE TOP BOARD	33
6-7 ATTACHING THE BILLBOARD	34
6-8 ATTACHING THE SIDE CURTAIN	36
6-9 PREPARING FOR SOFTWARE INSTALLATION	37
6-10 CONNECTING THE POWER CABLE AND EARTH.....	39
6-11 SOFTWARE INSTALLATION	42
6-12 ASSEMBLING CHECK	47

7 PRECAUTIONS WHEN MOVING THE MACHINE	49
--	-----------

- 1
- 2
- 3
- 4
- 5
- 6
- 7
- 8
- 9
- 10
- 11
- 12
- 13
- 14
- 15
- 16
- 17
- 18
- 19
- 20
- 21
- 22
- 23
- 24

8 GAME DESCRIPTION 52

- 8-1 GAME OUTLINE 52
- 8-2 BASIC CONTROLS AND FUNCTIONS 53
 - 8-2-1 GAME SCREEN 53
 - 8-2-2 BASIC CONTROLS 54
 - 8-2-3 GAME RULES 54

9 SWITCH UNIT AND COIN METER 56

- 9-1 SWICH UNIT 56
- 9-2 COIN METER 57

10 SYSTEM TEST MODE 58

11 GAME TEST MODE 59

- 11-1 GAME TEST MENU 59
- 11-2 BOOKKEEPING 60
- 11-3 INPUT TEST 63
- 11-4 OUTPUT TEST 65
- 11-5 GAME ASSIGNMENTS 67
- 11-6 MONITOR CALIBRATION SETTING 69
 - 11-6-1 MONITOR TEST 70
 - 11-6-2 3D CALIBRATION 71
- 11-7 CONT CALIBRATION SETTING 72
- 11-8 COMPRESSOR MAINTENANCE 74
- 11-9 BACKUP DATA CLEAR 76

12 LCD 77

- 12-1 CAUTIONS REGARDING SAFE HANDLING OF LCD 77
- 12-2 CLEANING THE LCD 78
- 12-3 ADJUSTING THE LCD 79
- 12-4 REPLACING THE LCD 82

13 CONTROLLER 87

- 13-1 TOP VOLUME 88
 - 13-1-1 TOP VOLUME ADJUSTMENT 88
 - 13-1-2 TOP VOLUME REPLACEMENT 89
 - 13-1-3 TOP VOLUME GREASING 91
- 13-2 SIDE VOLUME 92
 - 13-2-1 SIDE VOLUME ADJUSTMENT 92
 - 13-2-2 SIDE VOLUME REPLACEMENT 94
 - 13-2-3 SIDE VOLUME GREASING 96

14 COMPRESSOR 97

- 14-1 PRECAUTIONS REGARDING THE COMPRESSOR 97
- 14-2 DRAINING THE COMPRESSOR DRAIN 98
- 14-3 CHECKING THE COMPRESSOR FOR VIBRATION AND ODD SMELL 99
- 14-4 INSPECTING THE FILTER REGULATOR PRESSURE SETTING 100
- 14-5 CHECKING THE COMPRESSOR OPERATION 102
- 14-6 INSPECTING THE COMPRESSOR FILTER 104
- 14-7 INSPECTING THE FILTER REGULATOR ELEMENT 106
- 14-8 INSPECTING THE Y-SHAPED STRAINER FILTER 109
- 14-9 REPLACING THE COMPRESSOR 110
- 14-10 REPLACING THE COMPRESSOR RUBBER CUSHIONS 114
- 14-11 REPLACING THE Y-SHAPED STRAINER 118
- 14-12 REPLACING THE FILTER REGULATOR 121

15 COIN SELECTOR 124

- 15-1 COIN INSERTION TEST 125
- 15-2 CLEANING THE COIN SELECTOR 126
- 15-3 REMOVING THE JAMMED COIN 127

16 FLUORESCENT LAMP AND HALOGEN LAMP REPLACEMENT 128

- 16-1 REPLACING THE BILLBOARD FLUORESCENT LAMP ... 129

17 PERIODIC INSPECTION 130

18 TROUBLESHOOTING 132

- 18-1 REPLACING THE START BUTTON SWITCH 136
- 18-2 REPLACING THE 3D/2D BUTTON SWITCH 138

19 RINGEDGE 139

- 19-1 REMOVING THE RINGEDGE 140
- 19-2 CLEANING THE RINGEDGE 142
- 19-3 COMPOSITION OF RINGEDGE 143

20 ERROR MESSAGE 144

21 DESIGN RELATED PARTS 146

1
2
3
4
5
6
7
8
9
10
11
12
13
14
15
16
17
18
19
20
21
22
23
24

1
2
3
4
5
6
7
8
9
10
11
12
13
14
15
16
17
18
19
20
21
22
23
24

22	PARTS LIST	148
23	WIRING DIAGRAM	210
24	PIPING DIAGRAM	219

SEGA AMUSEMENTS OFFICES

1

2

3

4

5

6

7

8

9

10

11

12

13

14

15

16

17

18

19

20

21

22

23

24

INTRODUCTION

This manual is intended to provide detailed descriptions together with all the necessary information covering the general operation of electronic assemblies, electro-mechanicals, servicing control, spare parts, etc. for the product, "LET'S GO ISLAND 3D."

This manual is intended for the owners, personnel and managers in charge of operation of the product. Operate the product after carefully reading and sufficiently understanding the instructions. In the unlikely event that the product does not function correctly, DO NOT allow anyone other than a technician to touch the internal system. Turn off the power to the machine, making sure to unplug the electrical cable from the outlet, and contact the office listed in this manual or the point-of-purchase for this product.

Use of this product is unlikely to cause physical injuries or damage to property. However, points that require special attention are indicated by bold text, the word "IMPORTANT" and the symbol below.

STOP IMPORTANT

Indicates important information that, if ignored, may result in the mishandling of the product and cause faulty operation or damage to the product.

SPECIFICATIONS

Installation space	1,420 mm (55.9 in) [Width] x 2,830 mm (111.4 in) [Depth]
Height	2,270 mm (89.4 in)
Weight	470 kg (1,036.2 lb)
Power, maximum current	1,690 W, 8.4 A (AC 220 V, 50 Hz Area)
	655 W, 5.6 A (AC 120 V, 60 Hz Area)
	700 W, 3.2 A (AC 230 V, 50 Hz Area)
Power, current	1,410 W, 13.9 A (Max.) (AC 110 V, 60 Hz; Taiwan)
	15 W, 4.7 A (Min.) (AC 110 V, 60 Hz; Taiwan)

Definition of 'Site Maintenance Personnel or Other Qualified Individuals'

⚠ WARNING

Procedures not described in this manual or marked as 'to be carried out by site maintenance personnel or other qualified professionals' should not be carried out by personnel without the necessary skill or technology. Work carried out by unqualified persons may cause serious accidents, including electrocution.

Parts replacement, maintenance inspections and troubleshooting should be carried out by site maintenance personnel or other qualified professionals. This manual includes directions for potentially dangerous procedures which should only be carried out by professionals with the appropriate specialized knowledge. The site maintenance personnel or other qualified professionals mentioned in this manual are defined as follows:

Site maintenance personnel:

Individuals with experience in maintaining amusement equipment, vending machines, etc., working under the supervision of the owner/operator of this product to maintain machines within amusement facilities or similar premises by carrying out everyday procedures such as assembly, maintenance inspections, and replacement of units/ expendable parts.

Activities to be carried out by site maintenance personnel:

Amusement equipment/vending machine assembly, maintenance inspection and replacement of units/expendable parts.

Other qualified professionals:

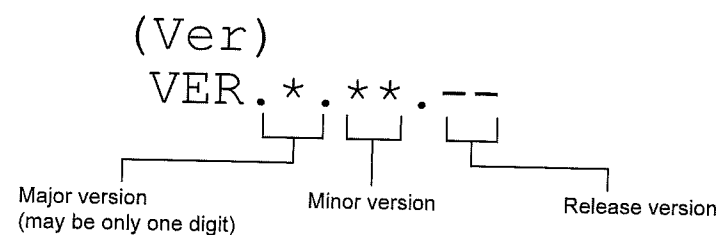
Persons employed by amusement equipment manufacturers, or involved in design, production, testing or maintenance of amusement equipment. The individual should have either graduated from technical school or hold similar qualifications in electrical/electronics/mechanical engineering.

Activities to be carried out by other qualified professionals:

Amusement equipment/vending machine assembly, repair/adjustment of electrical/electronic/mechanical parts.

Game Version Notation

Version numbers appearing in TEST MODE are displayed as asterisks. When describing software version upgrades, only major version and minor version numbers are displayed. Release version numbers are for SEGA's administrative use only. If you require these numbers, please contact the office listed in this manual or the point-of-purchase for this product.



1 HANDLING PRECAUTIONS

When installing or inspecting the machine, be very careful of the following points and pay attention to ensure that the player can enjoy the game safely.

Non-compliance with the following points or inappropriate handling running counter to the cautionary matters herein stated can cause personal injury or damage to the product.

⚠ WARNING

- Proceed with checks and tasks as indicated in these instructions. If instructions are not followed, or if tasks and/or checks are neglected, an electric shock or other very serious accident, even fatal accident, can occur. Also, customers could be injured while operating the product.
- Before performing work, be sure to turn the power off. Performing the work without turning the power off can cause an electric shock or short circuit. In the case work should be performed in the status of power on, this manual always states to that effect.
- To avoid an electric shock, do not plug in or unplug with a wet hand.
- Do not expose power cables or earth (ground) cables on the surface (floor, passage, etc.). If exposed, the power cables and earth (ground) cables are susceptible to damage. Damaged cables can cause an electric shock or short circuit. Wherever wiring has been laid out on a floor surface, use a wiring protection cover.
- To avoid causing a fire or an electric shock, do not put things on or damage the power cables.
- When or after installing the product, do not unnecessarily pull the power cable. If damaged, the power cable can cause a fire or an electric shock.
- In case the power cable is damaged, ask for a replacement through where the product was purchased from or the office herein stated. Using the cable as is damaged can cause fire, an electric shock or leakage.
- Be sure to perform grounding appropriately. Inappropriate grounding can cause an electric shock.
- When inserting or removing a connector, always hold it by its main part. If you hold it by anything else while doing so, the connections between cable and connector terminal fixtures could be damaged; and there could be a short circuit or fire.
- Be sure that connections such as IC board are made properly. Insufficient insertion can cause an electric shock.
- When connecting a connector, check the direction carefully. Connectors must be connected in only one direction. If indiscriminate loads are applied in making connections, the connector or its terminal fixtures could be damaged, resulting in electrical shock, short circuits or fires.
- Be careful not to damage the cables. Damaged cables may cause electric shock or short circuit or present a risk of fire.
- Do not touch undesignated places. Touching places not designated can cause electric shock or short circuit.

⚠ WARNING

- Whenever any fasteners (e.g. screws, nuts) have been lost, be sure to use replacement fasteners with proper dimensions as specified in this manual. If fasteners of any other dimensions are used, it could cause damage and/or separation of parts that result in secondary accidents.
- Specification changes, removal of equipment, conversion and/or addition, not designated by SEGA are not permitted.
 - Failure to observe this may cause a fire or an electric shock. Noncompliance with this instruction can have a bad influence upon physical conditions of the players or the onlookers, or result in injury during play.
 - SEGA shall not be held responsible for damage, compensation for damage to a third party, caused by specification changes not designated by SEGA.
- Performing work or parts replacements not described in this manual could result in accidents. If the need to perform such work arises, use the contact information listed in this manual or contact the location where the product was purchased to request service. You may also inquire about details of the work to be performed.
- Be sure to perform periodic maintenance inspections herein stated.

STOP IMPORTANT

- For the IC board circuit inspections, only the logic tester is allowed. The use of a multiple-purpose tester is not permitted, so be careful in this regard.
- Static electricity from your body may damage some electronics devices on the IC board. Before handling the IC board, touch a grounded metallic surface so that the static electricity can be discharged.
- Some parts are the ones designed and manufactured not specifically for this game machine. The manufacturers may discontinue, or change the specifications of, such general-purpose parts. If this is the case, SEGA cannot repair or replace a failed game machine whether or not a warranty period has expired.
- Do not repeatedly turn the power ON/OFF in a short period of time. Doing so may result in breakdown or parts damage.
- Be careful not to drop fasteners (screws, nuts, etc.) inside the cabinet. Doing so may result in breakdown or parts damage.
- This product uses an LCD. Be careful when cleaning the LCD as it is easily scratched. For details, see Chapter 12 "LCD."

CONCERNING THE SERIAL NO. AND THE ELECTRICAL SPECIFICATIONS DISPLAYS

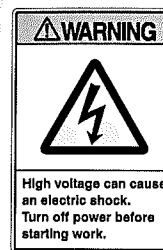
This SEGA product has stickers attached describing the product manufacture No. (Serial No.) and Electrical Specifications. It also has a Sticker describing where to contact for repair and for purchasing parts. When inquiring about or asking for repairs, mention the Serial No. and Name of Machine indicated on the Sticker. The Serial Number indicates the product register. Identical machines could have different parts depending on the date of production. Also, improvements and modifications might have been made after the publication of this manual. In order to ensure you order the correct parts, mention the Serial No. when contacting the applicable places.

CONCERNING WARNING DISPLAYS

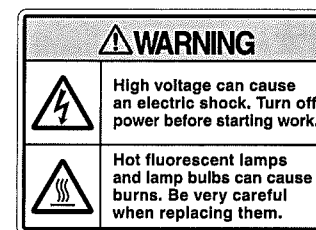
This SEGA product has warning displays on stickers, labels and/or printed instructions adhered/attached to or incorporated in the places where a potentially hazardous situation could arise. The warning displays are intended for accident prevention for customers and for avoiding hazardous situations relating to maintenance and servicing work. Some portions of the cabinet contain high voltage and may cause accidents if touched. When performing maintenance, be very careful of the warning displays. It is especially important that any complex repair and replacement work not mentioned herein should be performed by those technical personnel who have knowledge of electricity and technical expertise.

In order to prevent accidents, caution any customer ignoring the warnings to cease and desist immediately.

① 440-WS0002YEG



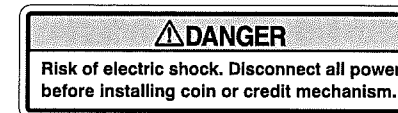
② 440-WS0300XEG



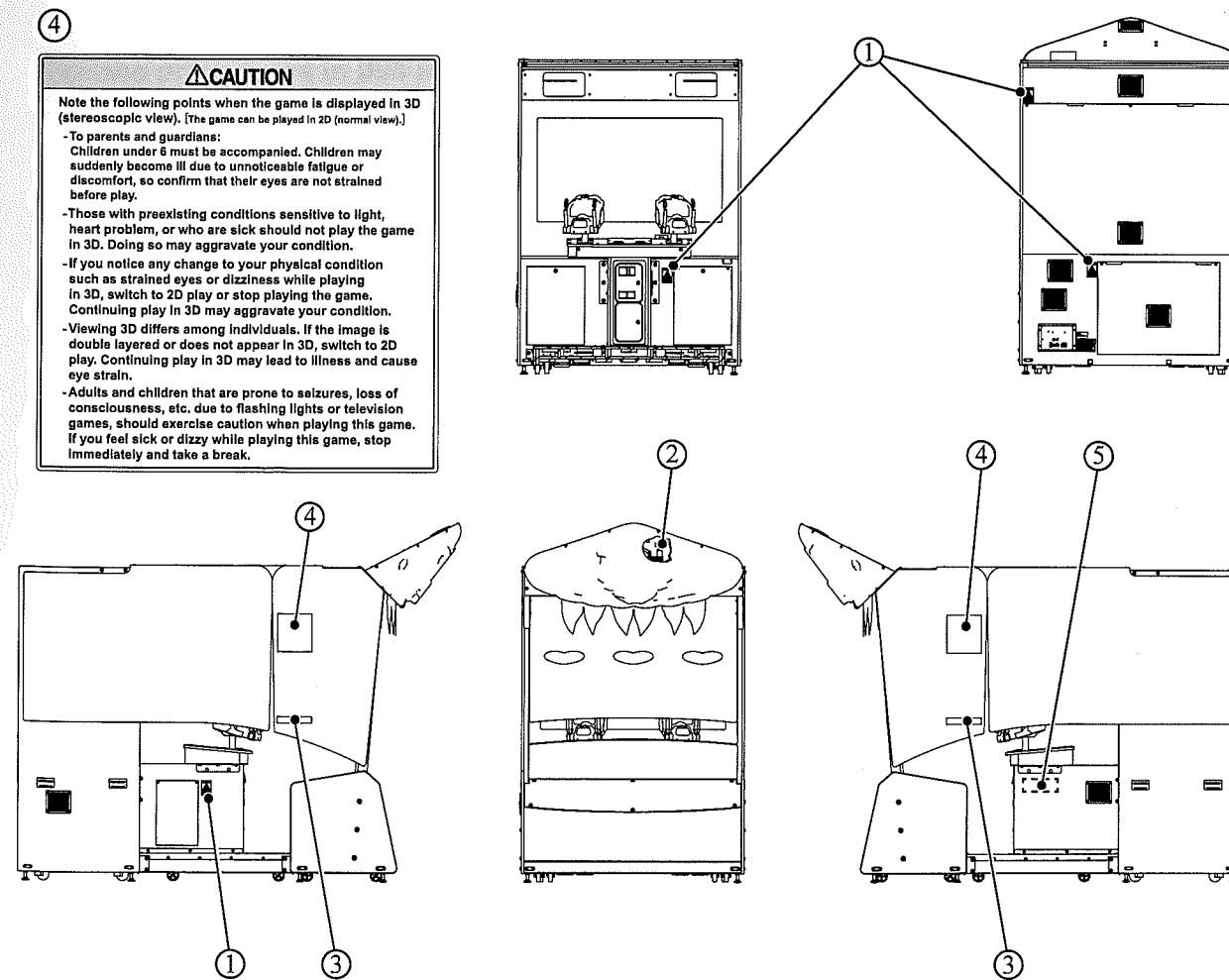
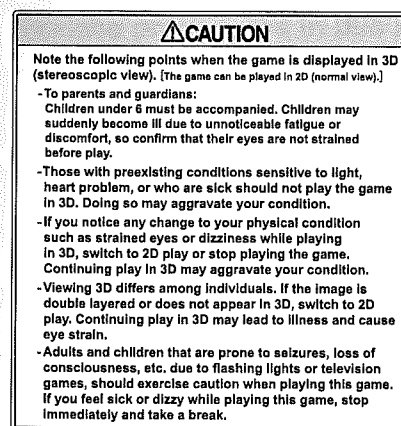
③



⑤ 440-DS0289XEG



④



2 PRECAUTIONS REGARDING INSTALLATION LOCATION

WARNING

This product is an indoor game machine. Do not install it outside. Even indoors, avoid installing in places mentioned below so as not to cause a fire, electric shock, injury and/or malfunction.

- Places subject to rain or water leakage, or places subject to high humidity in the proximity of an indoor swimming pool and/or shower, etc., or places where a water jet (high pressure washing device) could be used.
- Places subject to direct sunlight, or places subject to high temperatures in the proximity of heating units, etc.
- Places filled with inflammable gas or vicinity of highly inflammable/volatile chemicals or hazardous matter.
- Dusty places.
- Sloped or unstable surfaces.
- Places subject to any type of violent impact.
- Vicinity of anti-disaster facilities such as fire exits and fire extinguishers.
- Areas where the temperature exceeds the applicable temperature (ambient temperature) range of 5 to 30 degrees centigrade.

2-1 LIMITATIONS OF USAGE

WARNING

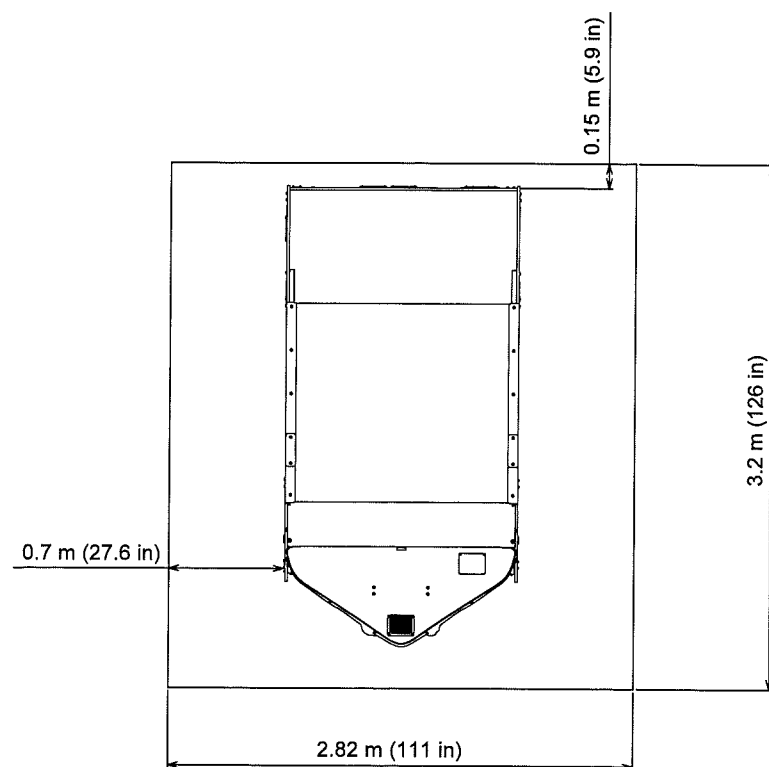
- Be sure to check the electrical specifications. Ensure that this product is compatible with the location's power supply, voltage, and frequency requirements. A plate describing electrical specifications is attached to the product. Noncompliance with the electrical specifications can cause a fire and electric shock.
- This product requires a breaker and earth mechanism as part of the location facilities. Using the product without these can cause a fire and electric shock.
- Be sure to use an independent power supply equipped with an earth leakage breaker. Using a power supply without an earth leakage breaker can cause an outbreak of fire if a power surge occurs.
- Putting many loads on one electrical outlet can cause generation of heat and a fire resulting from overload.
- Ensure that the indoor wiring for the power supply is rated at 15 A or higher (AC single phase 100 V - 120 V area), and 7 A or higher (AC 220 V - 240 V area). Noncompliance with the electrical specifications can cause a fire and electric shock.
- When using an extension cable, ensure that the cable is rated at 15 A or higher (AC100 V -120 V area) and 7 A or higher (AC 220 V - 240 V area). Using a cable rated lower than the specified rating can cause a fire and electric shock.

2-2 OPERATION AREA

WARNING

- For the operation of this machine, secure a minimum area of 2.82 m (111 in) width x 3.2 m (126 in) depth. SEGA shall not be held responsible for damage or compensation for damage to a third party, resulting from the failure to observe this instruction.
- The ceiling where this product is installed must be at least 2.3 m (90.6 in) high. If the ceiling is too low, the heat emitted from the product may cause it to catch on fire.
- Be sure to provide sufficient space specified in this manual. Do not allow objects to block the ventilation ports. It can cause generation of heat and a fire.
- Put the cabinets close together so that people cannot get through or provide enough space between them that people can go both ways without difficulty. If the cabinets are installed carelessly, people may bump into each other or the cabinets when passing between them or fall down. To prevent people from walking between them, place them 0.15 m (59 in) apart.
- If the machine does not fit through the entryway to the installation location, do not disassemble it without first consulting the instructions. Specific tools and adjustment procedures are required to assemble and disassemble the mechanical parts. Attempting to assemble or disassemble the machine without consulting the instructions may result in accidents during assembly/disassembly and electric shock, short circuits, and/or personal injury during operation. If the machine still does not fit through the entryway after following the procedures in this manual, contact your retailer or the office listed in this manual.
- If the machine is still too large to fit through the entryway after following the procedures listed in this manual, do not tip the machine on its side. Attempting to transport the machine while it is tipped on its side may cause accidents. It may also damage or warp parts of the machine, resulting in accidents during operation.
- To install this product, the entrance must be at least 1 m (39.4 in) in width and 2 m (78.7 in) in height. If the entrance is too narrow, do not tilt the product carelessly. If all the product weight is put on the casters at one side only, there could be damage or deformation, causing serious accidents such as workers getting caught underneath.

2



7

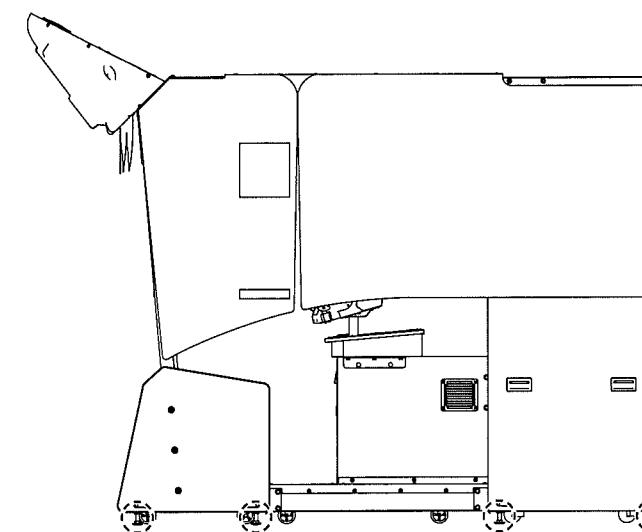
3 PRECAUTIONS REGARDING PRODUCT OPERATION

In order to avoid accidents, check the following before starting the operation:

3-1 BEFORE OPERATION

⚠ WARNING

- To ensure maximum safety for the players and the customers, ensure that where the product is operated has sufficient lighting to allow any warnings to be read. Operation under insufficient lighting can cause bodily contact with each other, hitting accident, and/or trouble between customers.
- Check if all of the adjusters are in contact with the surface. If they are not, the cabinet can move and cause an accident.



Ensure that all of the adjusters are in contact with the floor.

- Do not put any heavy item on this product. Placing any heavy item on the product can cause a falling down accident or parts damage.
- Do not climb on the product. Climbing on the product can cause falling down accidents. To check the top portion of the product, use a step/stapladder.
- To avoid electric shock, check to see if door and cover parts are damaged or omitted.
- Do not place the following items on top of the product, nearby the product or hang them from the ceiling. Doing so could result in electric shock, short circuits and/or damage to the parts.

Flower vases, flowerpots, cups, water tanks, cosmetics, and receptacles/containers/vessels containing chemicals and water.

3

⚠ CAUTION

- To avoid injury, be sure to provide sufficient space by considering the potentially crowded situation at the installation location. Insufficient installation space can cause contact, collisions, and/or trouble between customers.
- During daily cleaning, be sure to check the surface of the control unit and other parts that the player touches with his/her hands for damage, cracks, or loose screws. If a player uses the machine while it is damaged, cracked, or has a loose screw, the player may become injured.
- Check carefully to make sure there are no gaps in the cabinet joints and that they are not loose. If there are gaps or looseness, players may get their hands or fingers caught, resulting in an injury.
- Make sure all the doors are locked securely and that they do not rattle. If the doors are not locked properly or there are gaps or rattling, the players could get their fingers or hands caught. It could also invite mischief.
- Prepare a place where players can rest if they feel sick.
- Be sure to perform appropriate adjustment of the LCD. For operation of this machine, do not leave monitor's flickering or deviation as is. Failure to observe this can have a bad influence upon the players' or the customers' physical conditions.
- Inspect for the following items during a trial run. If there is any type of error, use the TEST MODE, etc., to resolve the problem. If you continue use with an error, it can cause an accident or irreparable parts damage.
 - Is there any strangeness in the operability of the controller?
 - Is there any improper adjustment of the LCD?

STOP IMPORTANT

- Players directly hold the controller with their bare hands, so it is recommended that wet towels (paper towels) be provided.
- Diligently clean the parts that players touch directly to ensure a pleasant game playing experience.
- Inspect the coin insertion slots to make sure no foreign objects have been inserted and that they have not otherwise been tampered with. This will prevent play.

3-2 PAYING ATTENTION TO CUSTOMERS

To avoid injury and trouble, be sure to pay attention to the behavior of visitors and players.

⚠ WARNING

- To avoid injury from falls and electric shocks due to spilled drinks, instruct the player not to place heavy items or drinks on the product.
- To avoid electric shocks and short circuits, do not allow customers to put hands and fingers or extraneous matter in the openings of the product or small openings in or around the doors.
- To avoid falls and resulting injury, immediately stop the customer from leaning against or climbing on the product, etc.
- To avoid electric shock and short circuit, do not allow customers to unplug the power plug without a justifiable reason.
- For safety reasons, do not allow persons who disregard the product's warning displays.
- The game cannot be played while sitting in a wheelchair.
- No more than 2 persons should sit on the seat of this machine. Instruct customers that 3 or more players must not sit on a ride. Failure to observe this precaution may result in accidents.
- Instruct customers not to get on or in any seat part, such as the rear of the seat or behind the back of the seat, other than the seat. Failure to observe this precaution may result in players falling over, falling off, or catching body parts in the seat.

⚠ CAUTION

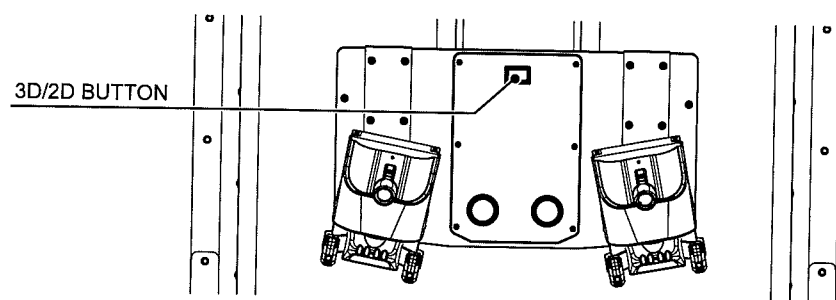
- Immediately stop such violent acts as hitting and kicking the product. Such violent acts can cause parts damage or falling down, resulting in injury due to fragments and falling down.
- Persons other than the player should not be allowed to touch the controls during play. They may brush against or collide with the controls or the player, possibly resulting in accidents.
- This product has a 3D display function. There is a strong likelihood that children at early stages of development will become ill when playing this game. Ensure that all children (especially those under 6 years old) are accompanied by a parent or guardian while playing this game.
- Instruct those who feel sick during play to have a medical examination.
- There are steps and level differences on each seat, so instruct players to be careful when getting on or off the seat.
- Do not allow players to extend their hands or feet out from the seat during play. Otherwise there could be bruises, sprains or other accidental injuries.

STOP IMPORTANT

After the end of a game, check to ensure that the player has not forgotten or dropped any belongings.

3D FUNCTION**⚠ CAUTION**

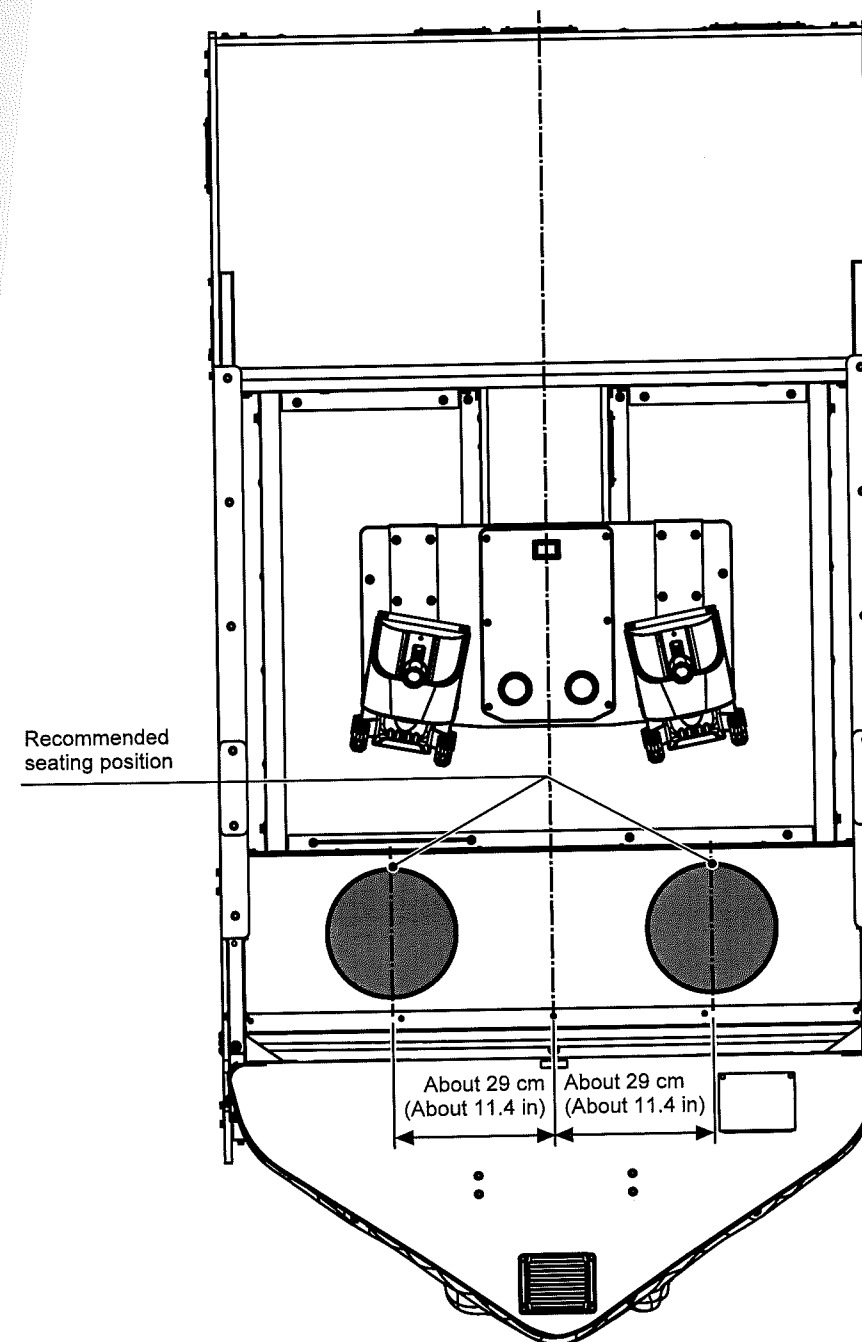
- Ensure that all children under 6 years old are accompanied by a parent or guardian. It is difficult to gauge a child's reaction to fatigue and discomfort. In some cases, they may become ill suddenly. Always check that a child does not have strained eyes before letting them play.
- Anyone with a history of photosensitivity, a heart ailment, or poor health should not play this game in 3D. Their symptoms may become worse as a result.
- During a 3D game, if a player appears to have strained eyes or their physical condition seems to have changed, such as they now appear ill, switch to a 2D game or stop them from playing.
- 3D images may appear differently depending on the person. If a player sees these images on two separate levels or cannot perceive the depth involved, switch to a 2D game. If they continue playing at such times, they may become ill or they may strain their eyes.
- Explain to players that they should press the 3D/2D BUTTON for player use whenever they feel ill.

**3D/2D BUTTON AT CENTER OF CONTROL PANEL**

This button switches the in-game screen display between 3D and 2D. When the game begins, the screen default setting uses the 3D display. Press this button once to change the screen to the 2D display. Press the button again to switch the screen back to the 3D display. Each time you press this button, you can change the display.

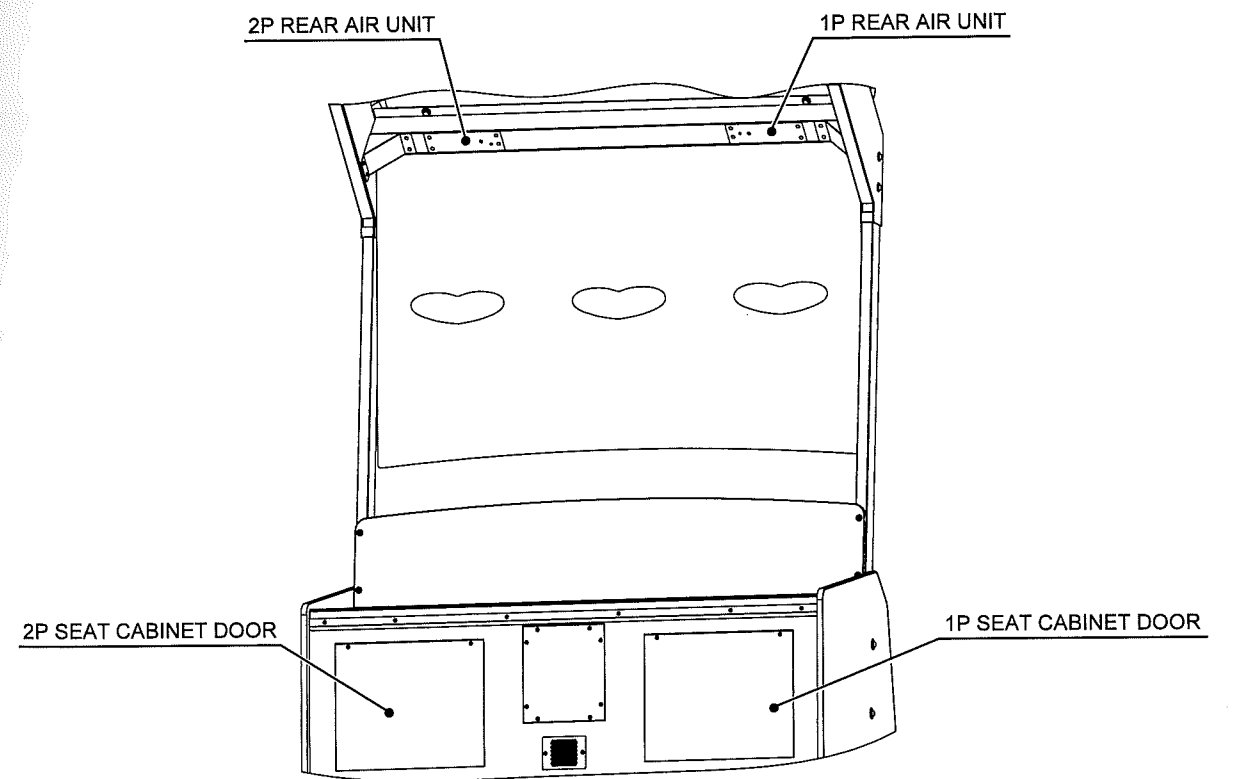
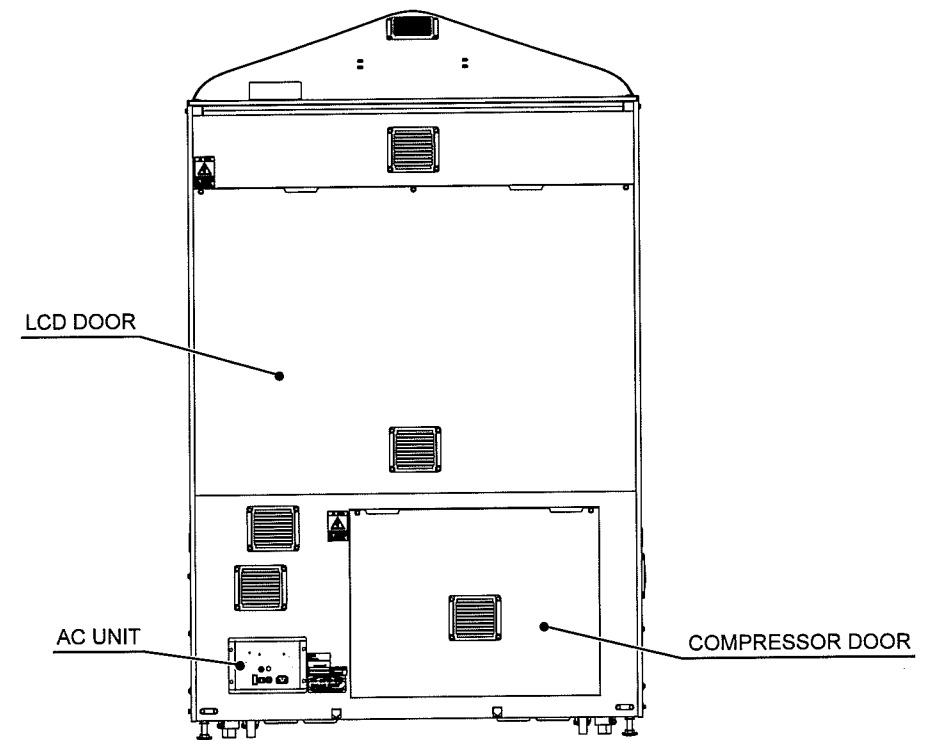
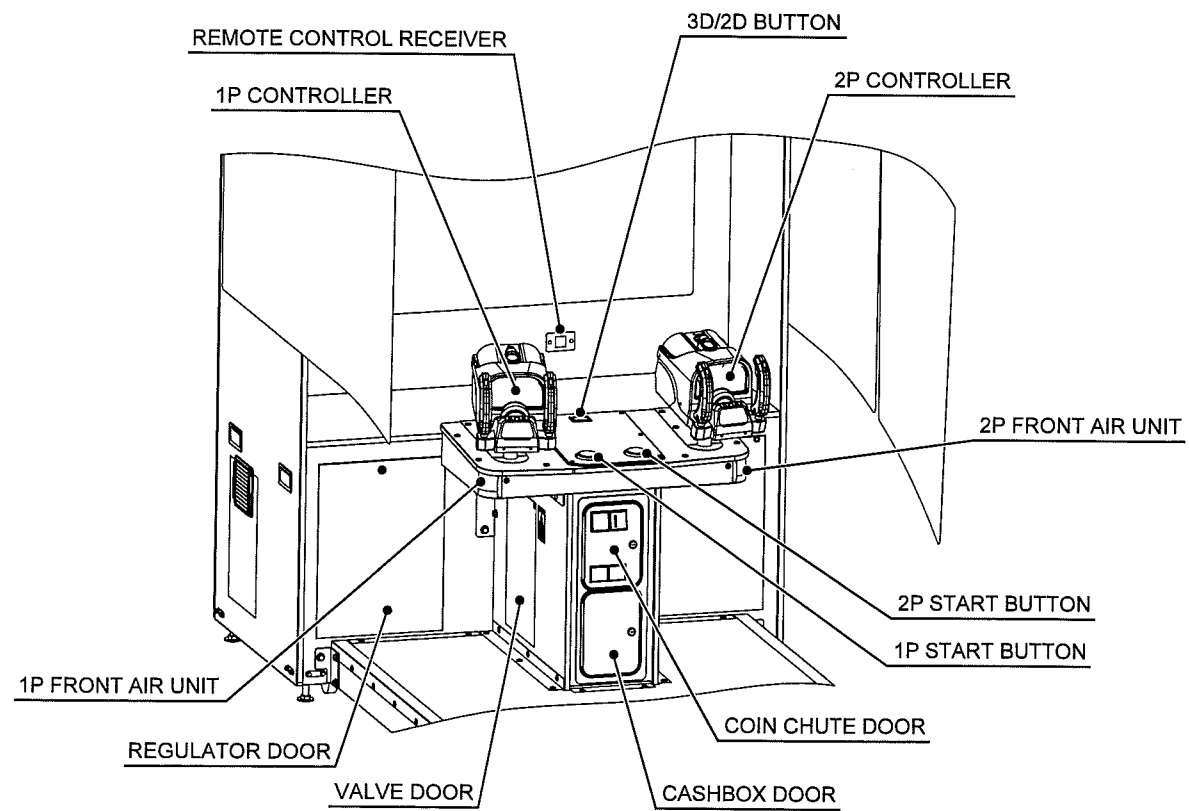
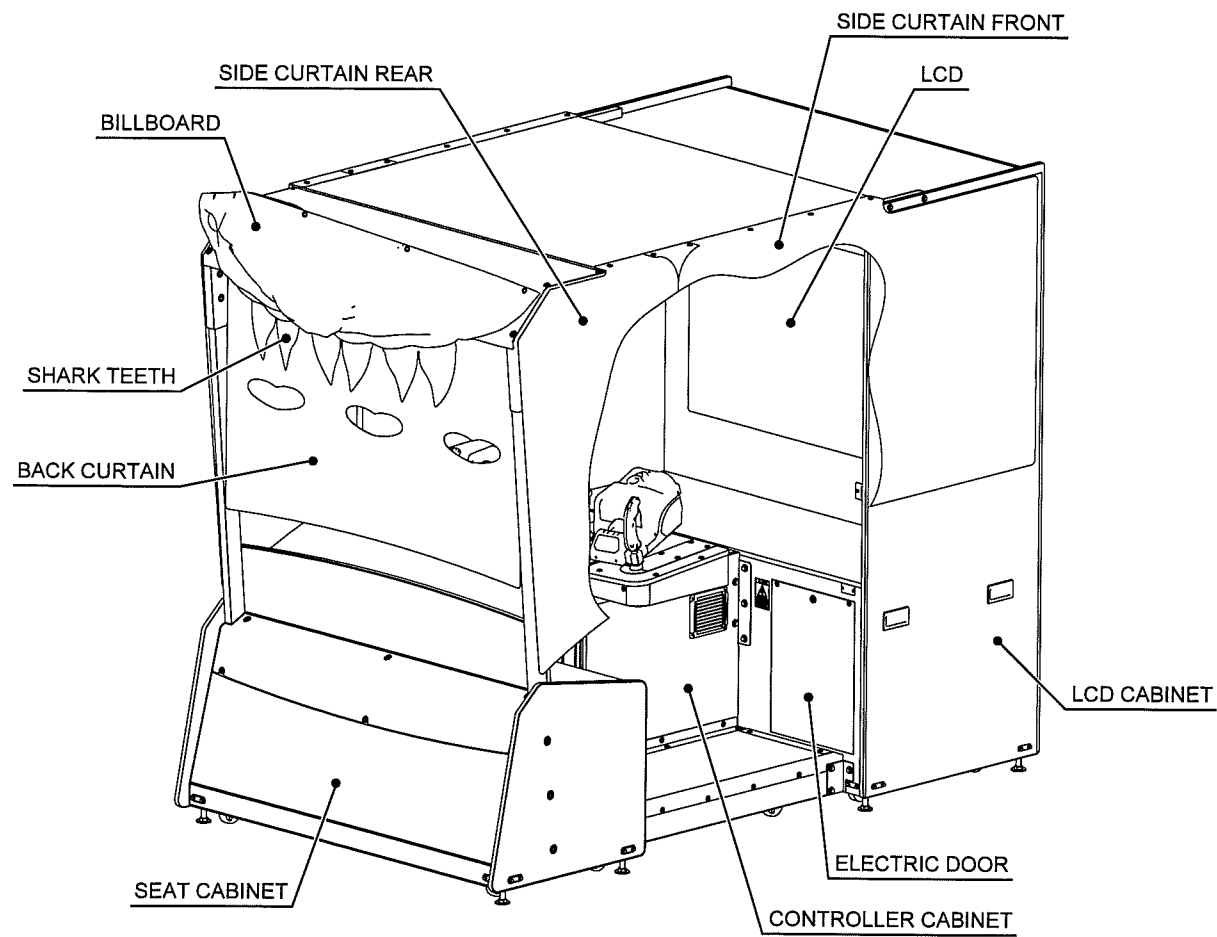
STOP IMPORTANT

Explain to players that they should sit in the recommended seating position whenever it is hard to see the 3D images.

**RECOMMENDED SEATING POSITION**

Based on the specifications of this game, this is the best seating position from which to experience the 3D images. Because images may appear differently depending on the person, in some cases players may need to adjust this seating position a little in order to view the images more easily.

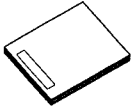
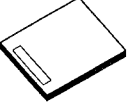
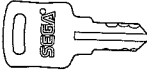
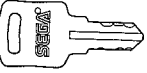
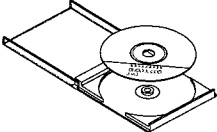
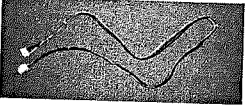
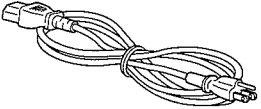
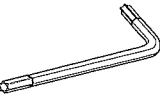
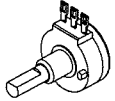
4 PART DESCRIPTIONS

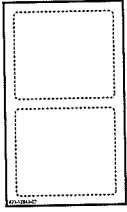


Items	Width	Depth	Height	Weight
LCD CABINET	1,420 mm (55.9 in)	890 mm (35 in)	1,980 mm (78 in)	191 kg (421.1 lb)
CONTROLLER CABINET	1,200 mm (47.2 in)	990 mm (39 in)	1,120 mm (44.1 in)	97 kg (213.8 lb)
SEAT CABINET	1,420 mm (55.9 in)	780 mm (30.7 in)	1,990 mm (78.3 in)	92 kg (202.8 lb)
BILLBOARD	1,400 mm (55.1 in)	430 mm (16.9 in)	640 mm (25.2 in)	15 kg (33.1 lb)

5 ACCESSORIES

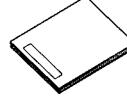
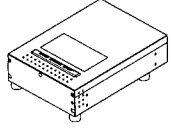
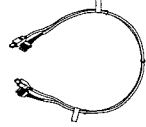
Confirm that the accessories listed in the table below are present when setting up the product. Accessories marked Spare in the note column are consumable items but included as spares. Parts not labeled with part numbers are as yet unregistered or cannot be registered. Be sure to handle all parts with care, as some parts are not available for purchase separately.

Part name/Part no.	Diagram/Use etc.	Quantity
OWNER'S MANUAL 420-7342-01	This manual 	1
RINGEDGE SERVICE MANUAL 420-7206-01	Manual for installed board 	1
KEY MASTER 220-5793-2-A001	Open and Close the door The key master is shipped with the manual packed together with the accessories. 	2
KEY	For cash box The keys are placed inside the coin chute door for shipping 	2
DVD SOFTWARE KIT 610-0816-0038	When you order the DVD-ROM disc only, specify the part number DVR-0038:RGW DVDROM LGD 	1
INSTALLATION CABLE 605-0157-100	For software installation 	1
POWER CABLE 600-7326 <US> 600-6619-02 <Others>		1
Tamperproof wrench (For M4) 540-0006-01	Tool 	1
Volume 220-5832	Spare 	1

Part name/Part no.	Diagram/Use etc.	Quantity
Denomination sheet 421-12842-02		2

The DVD drive is sold separately, but it is required in order to install the software for this product. If you do not have the drive when installing the product, consult the dealer from which you purchased this product. Alternatively, use the kit number below to arrange for a drive.

XKT-1515: DVD DRIVE KIT FOR LBG

Part name/Part no.	Diagram/Use etc.	Quantity
DVD DRIVE SERVICE MANUAL 420-6923		1
DVD DRIVE 610-0719-03	For software installation 	1
DVD CABLE 605-0094	For software installation 	1

6 ASSEMBLY AND INSTALLATION

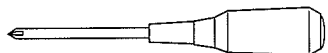
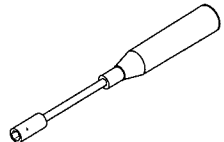
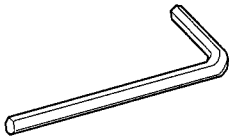
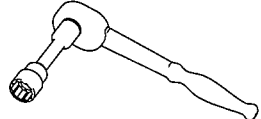

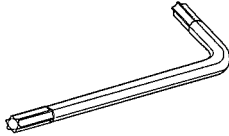
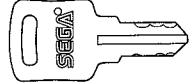
⚠ WARNING

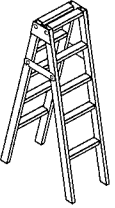

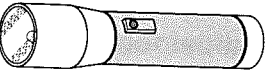

- Proceed with checks and tasks as indicated in these instructions. If instructions are not followed, or if tasks and/or checks are neglected, an electric shock or other very serious accident, even fatal accident, can occur. Also, customers could be injured while operating the product.
- This work should be carried out by the site maintenance personnel or other qualified professionals. Work performed by non-technical personnel can cause a severe accident such as electric shock. If no one with proper technological expertise is available, request service from the office indicated in this manual or the point-of-purchase so as to ensure safety.
- Support and hold parts in place securely and fasten them with screws and/or bolts. Additionally, perform this work with 3 or more workers, one to support parts and one to hold them in place securely. If a part is not supported securely, it might fall down, resulting in an accident.
- Adhere strictly to all of the work procedures stipulated in this manual. If two or more workers are working at the same time, exercise special caution. If sequences are carried out erroneously, accidents can result. There might also be cases in which the assembly cannot be completed.
- Make sure that all the adjusters are resting on the floor. The cabinet may move and cause an accident if the adjusters are not laid out properly.
- To perform work safely and avoid serious accident such as the cabinet falling down, do not perform work in places where step-like grade differences, a ditch, or slope exist.
- Ensure that plenty of space is available for assembly and installation. Performing these tasks in an unsuitable environment may cause accidents.
- Be sure to perform grounding appropriately. Inappropriate grounding can cause an electric shock.
- When connecting cables inside the cabinet, there may be instances in which the indoor lighting does not reach that location. Have a flashlight or other auxiliary lighting equipment on hand. If cables are connected carelessly, there could be an accidental short circuit, fire, etc.
- Be careful not to damage the cables. Damaged cables may cause electric shock or short circuit or present a risk of fire.
- Ensure that connectors are accurately connected. Incomplete connections can cause electric shock.
- Exercise proper caution when using a stepstool to perform work. Falling or tipping over could result in a major accident. Also, if the ceiling is low, you could bump your head.

⚠ CAUTION

- Be careful when handling the plastic parts. Do not apply excessive force or shock to these parts. Failure to observe this instruction may result in breakage, and broken pieces and cracks or chips in these parts may cause personal injury.
- Be careful not to pinch hands or fingers when attaching and taking off parts.
- Wear appropriate work clothing so that work can be performed safely. Use gloves and safety shoes to prevent accidents or injuries.

TOOLS NECESSARY FOR WORK

Phillips screwdriver (for M2.6, M4)	
Box driver for hexagon bolts and nuts (for M4, M6, M8)	
Allen wrench (with opposite side distance of 3 mm)	
Sockets for hexagon bolts and nuts (with opposite side distance of 7 mm, for M4) (with opposite side distance of 10 mm, for M6) (with opposite side distance of 13 mm, for M8)	
Wrench (with opposite side distance of 4 mm, for attaching infrared receiver board) (with opposite side distance of 24 mm, for adjusting adjusters)	
Tamperproof wrench (for M4)	
KEY MASTER (Accessory)	

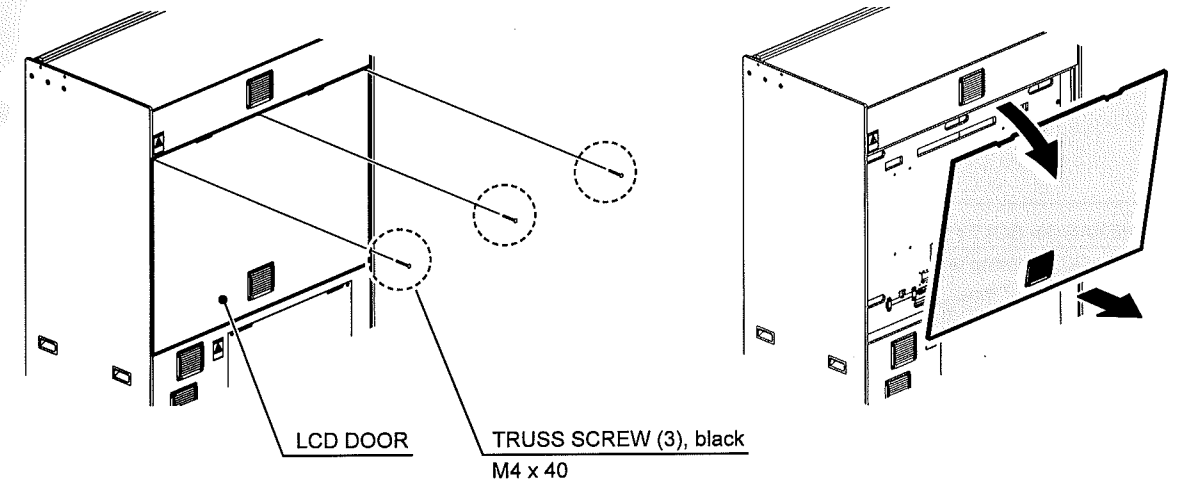
Stepstool	
Protective material such as cloth measuring 1,500 mm by 1,000 mm or greater (for protecting the screen from scratches)	
Flashlight or other supplementary lighting	
Glove	

6

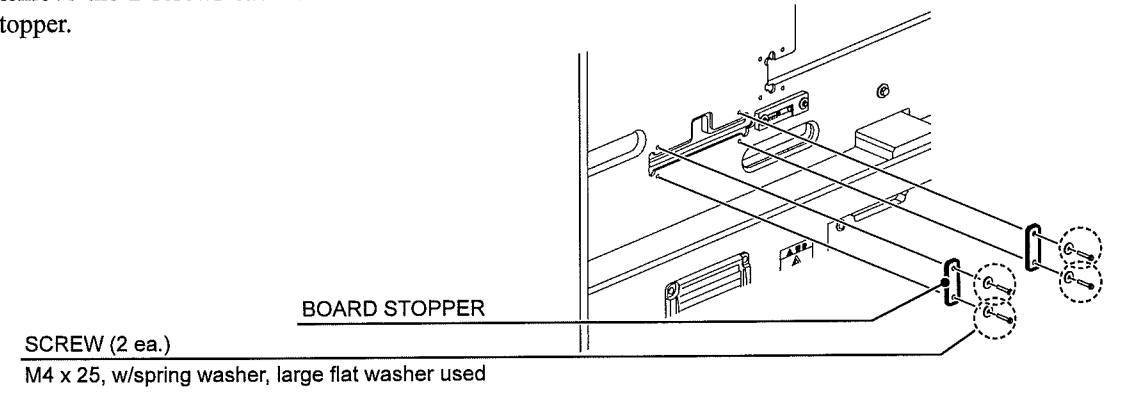
6-1 ATTACHING THE LCD

1 Spread out protective material measuring 1,500 mm by 1,000 mm or greater on the floor, or use the protective sheeting included in the packaging for a new LCD. When doing so, ensure that no screws or other types of protruding objects have fallen to the ground.

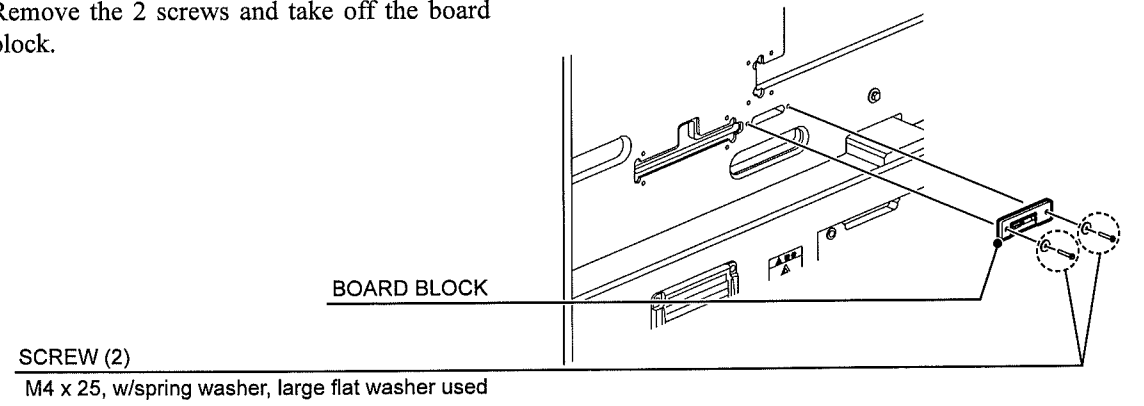
2 Using 2 or more workers, remove the 3 truss screws and take off the LCD door.



3 Remove the 2 screws each and take off the board stopper.

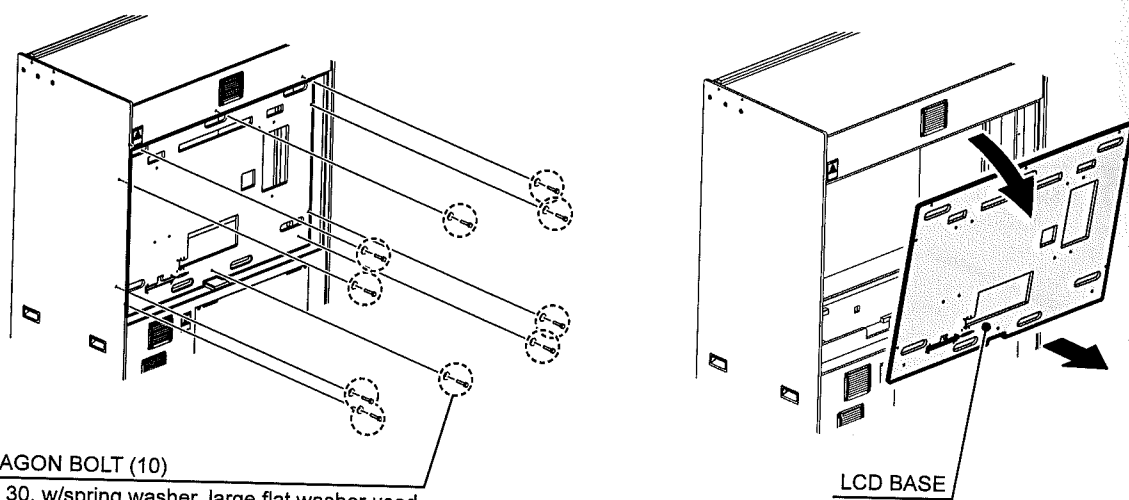


4 Remove the 2 screws and take off the board block.

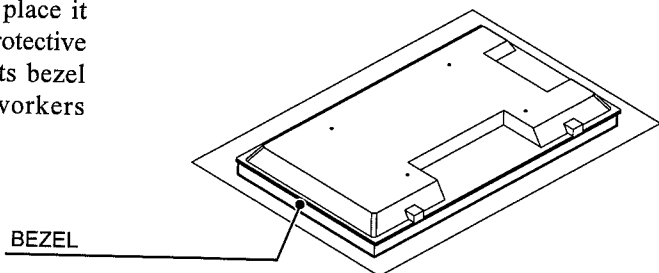


6

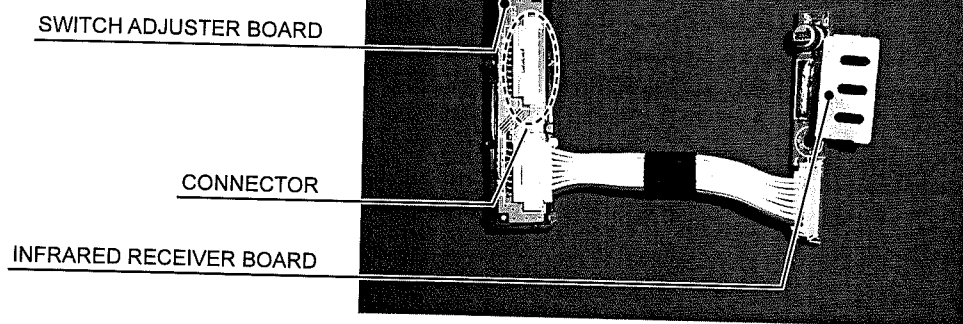
5 Remove the 10 hexagon bolts and take off the LCD base.



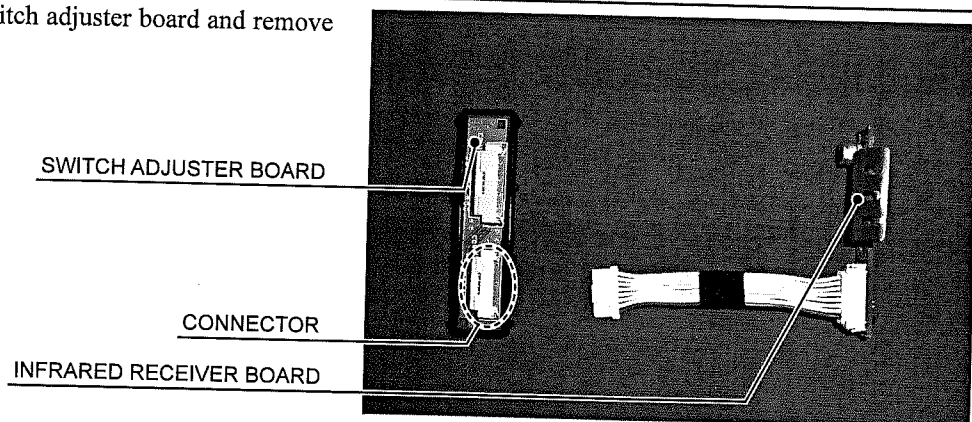
6 Remove the LCD from the box and place it slowly on the protective material or protective sheeting spread out in Step 1 with its bezel side facing down. Use 3 or more workers when performing this task.
NOTE: Do not remove the bezel.



7 Peel away the tape and remove the connector on the switch adjuster board attached to the LCD.



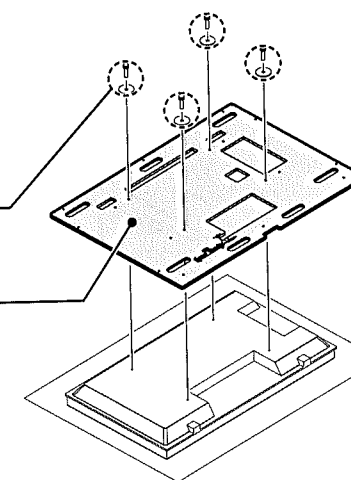
8 Remove the switch adjuster board and remove the connector.



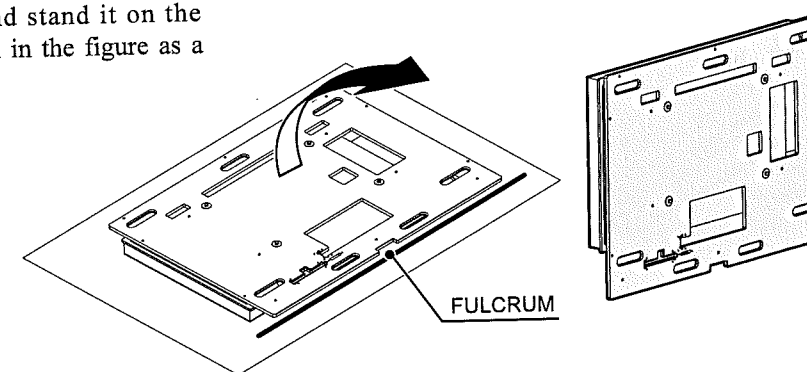
9 Attach the LCD base using the included 4 hexagon bolts. Refer to the figure and ensure that the base is not attached in the wrong position.

HEXAGON BOLT (4)
M8 x 30, w/spring washer, large flat washer used

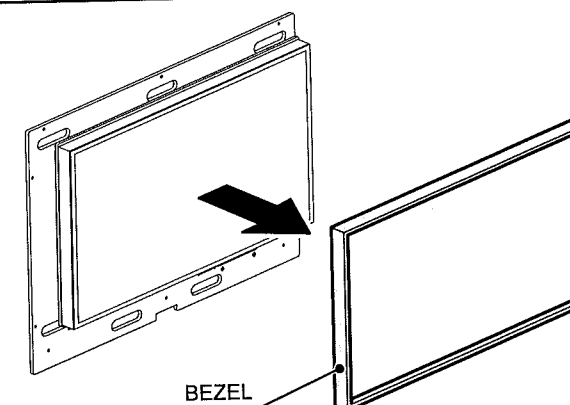
LCD BASE



10 Raise up the LCD unit and stand it on the floor using the point shown in the figure as a fulcrum.

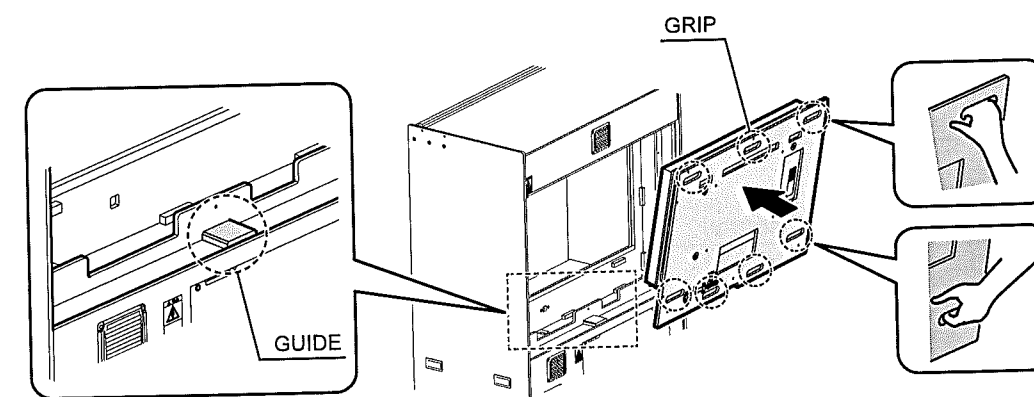


11 From the position described in Step 10, peel away the tape around the bezel and remove the bezel.

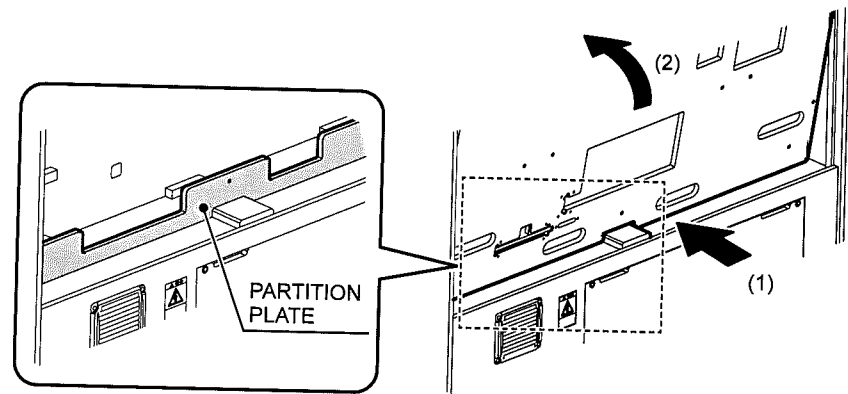


12 Holding the grips on the LCD base, lift it up and set it on the LCD cabinet so that it fits into the guide. Use 3 or more workers when performing this task.

NOTE: Pay attention to the direction your fingers are pointing so that they do not become jammed when you hold the grips.

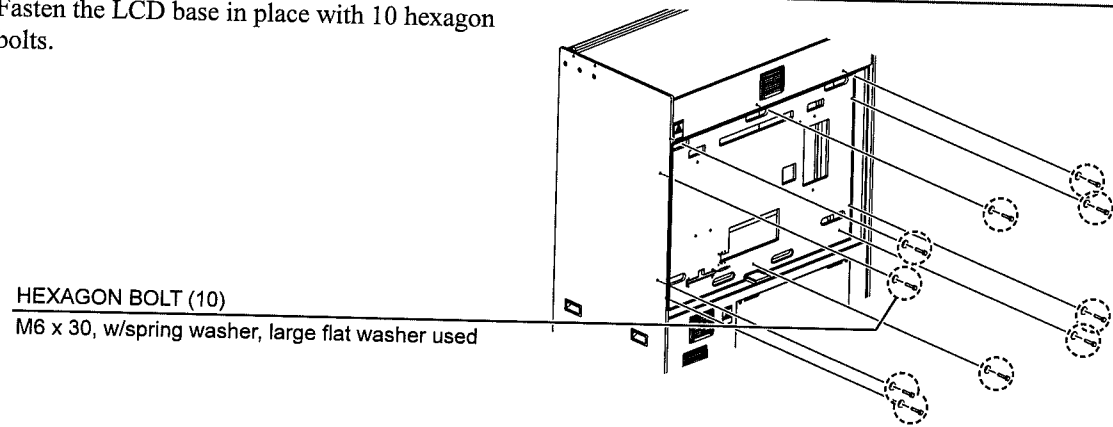


13 Push the LCD base until its lower end comes up against the partition plate and then stand it up slowly.



6

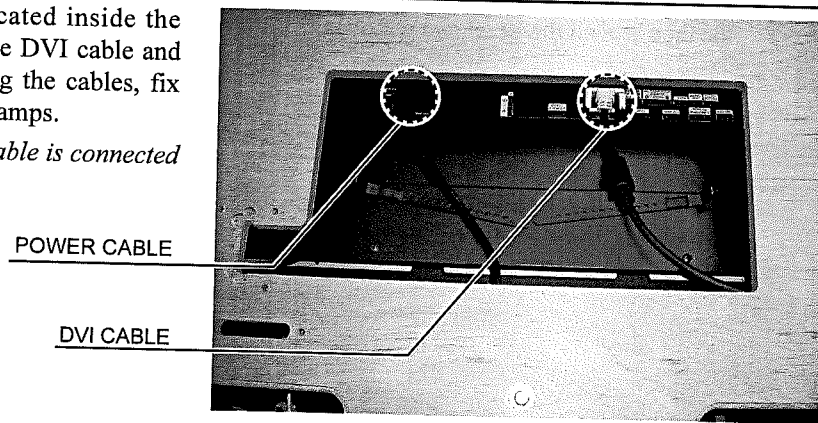
14 Fasten the LCD base in place with 10 hexagon bolts.



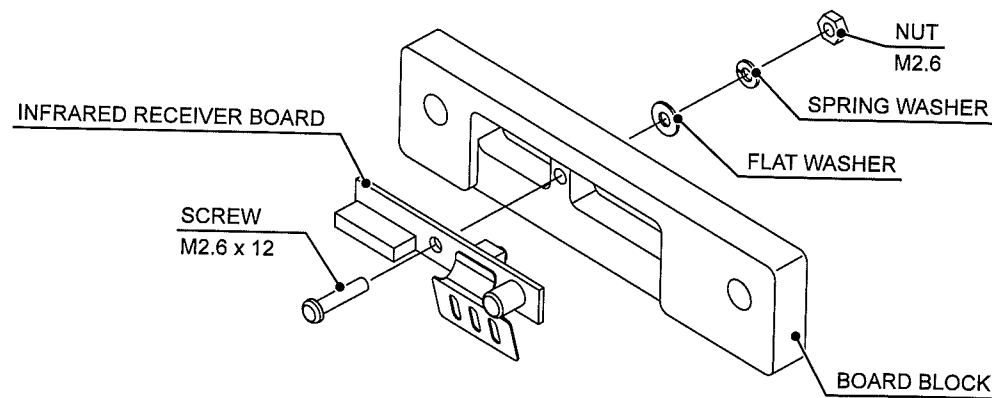
HEXAGON BOLT (10)
M6 x 30, w/spring washer, large flat washer used

15 Undo the 2 cord clamps located inside the partition plate and connect the DVI cable and power cable. After connecting the cables, fix them in place with the cord clamps.

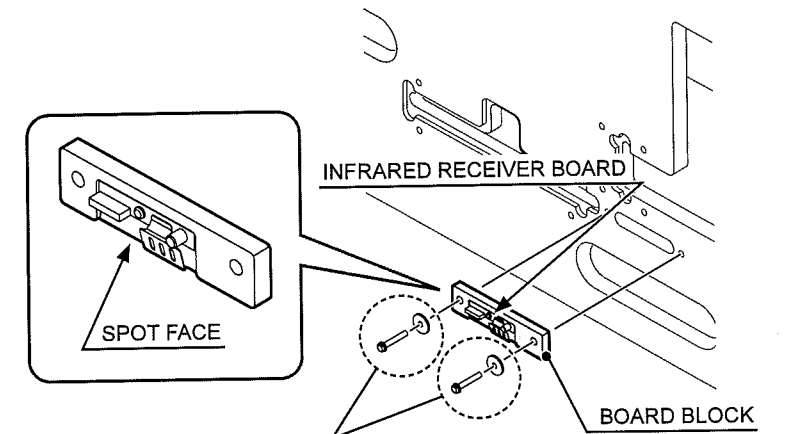
NOTE: Ensure that the DVI cable is connected to DVI IN



16 Fix the infrared receiver board to the board block using a wrench (with opposite side distance of 4 mm) and a Phillips screwdriver (for M2.6). When doing so, ensure that the board is facing the right way when it is attached.



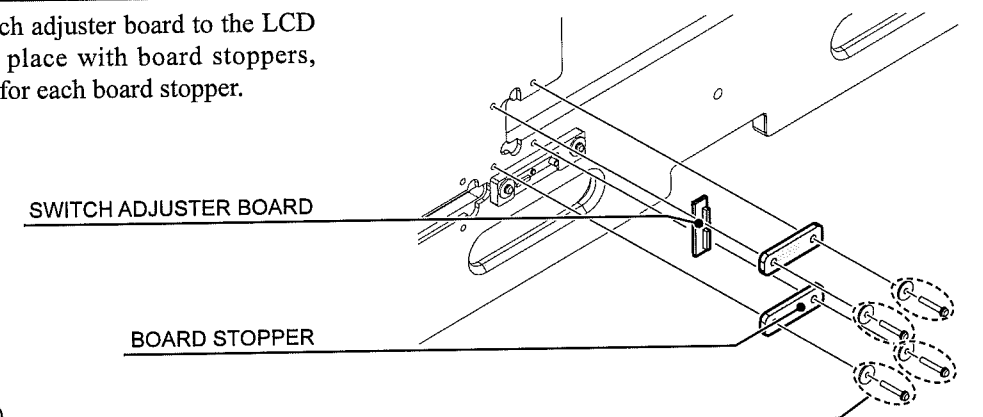
17 Attach the board block to the LCD base using 2 screws. When doing so, ensure that it is attached with its spot face on its bottom side.



SCREW (2)
M4 x 25, w/spring washer, large flat washer used

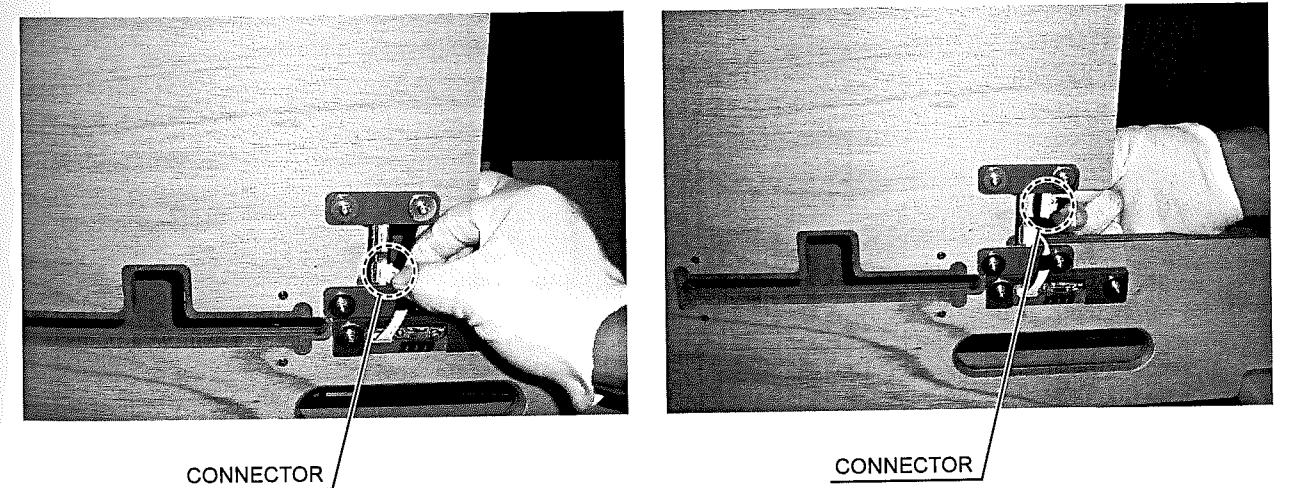
6

18 Attach the switch adjuster board to the LCD base. Fix it in place with board stoppers, using 2 screws for each board stopper.



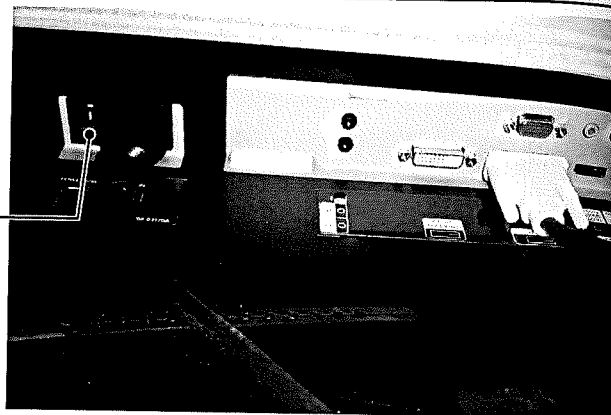
SCREW (2 ea.)
M4 x 25, w/spring washer, large flat washer used

19 Connect the 2 connectors.



20 Ensure that the rocker switch at the lower back side of the LCD is turned on. If it is turned off, switch it on.

ROCKER SWITCH

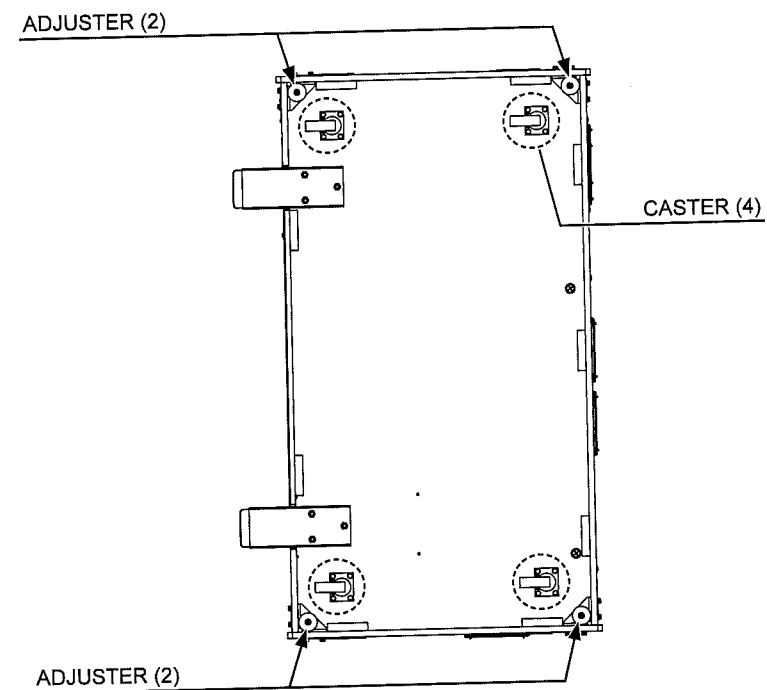


6

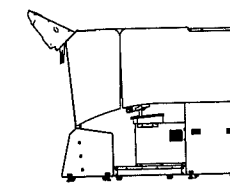
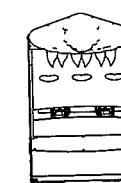
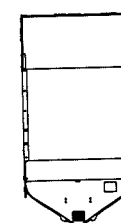
21 Refer to Step 2 and work in reverse order to attach the LCD door.

6-2 INSTALLING THE CABINET

LCD cabinet comes with casters attached at 4 locations and adjusters at 4 locations. When the installation site has been determined, have the adjusters come in direct contact with the floor. Establish a gap of about 5 mm between the floor and the casters and adjust the unit so that it will remain level.



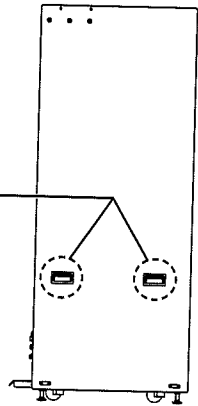
6



Refer to this figure (scale: 1/100) for the layout of the place of installation.

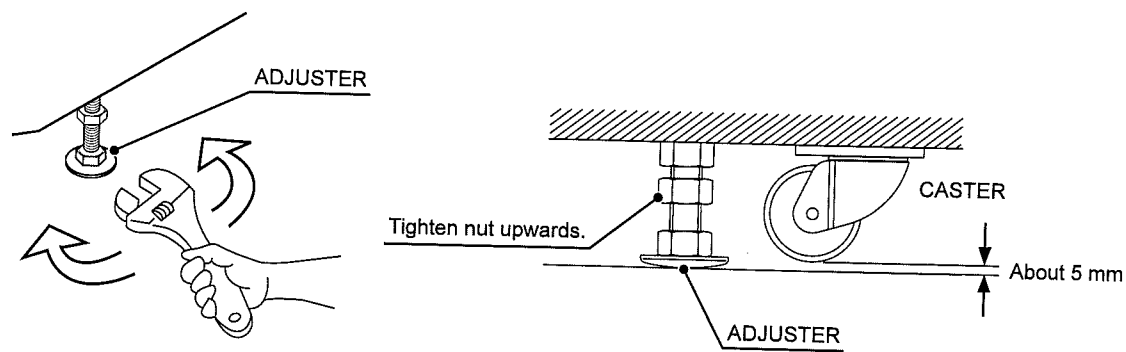
- 1 Move the LCD cabinet to the installation site. Be careful not to push on the screen or the plastic components. When adjusting the LCD cabinet position, use the grips on the side to hold the cabinet. Place the product so the back of the front cabinet is at least 150 mm from the wall.

Use the grips to fine-tune the position.



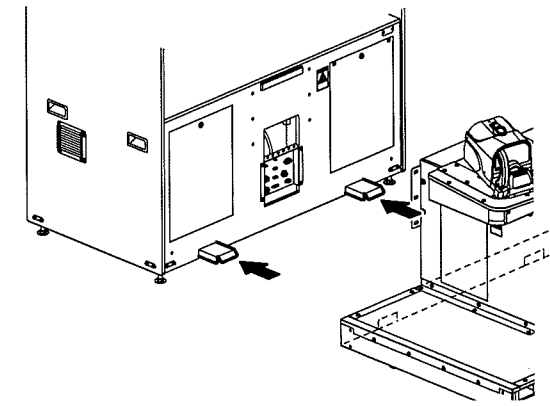
6

- 2 Bring the 4 adjusters into direct contact with the floor. Use a wrench to align the height of the adjusters until the cabinet is perfectly level.
- 3 After setting, turn adjuster nuts upwards to tighten them and secure adjuster heights.



6-3 CONNECTING THE CONTROLLER CABINET TO THE LCD CABINET

Connect the controller cabinet to the LCD cabinet. While lifting up the controller cabinet, align it so that the tabs on the LCD cabinet fit into the slots on the controller cabinet. Use 2 workers to move the cabinet, with 1 worker each on the left and right sides.



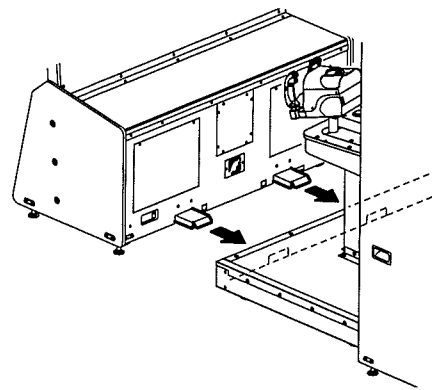
6

6-4 CONNECTING THE SEAT CABINET TO THE CONTROLLER CABINET

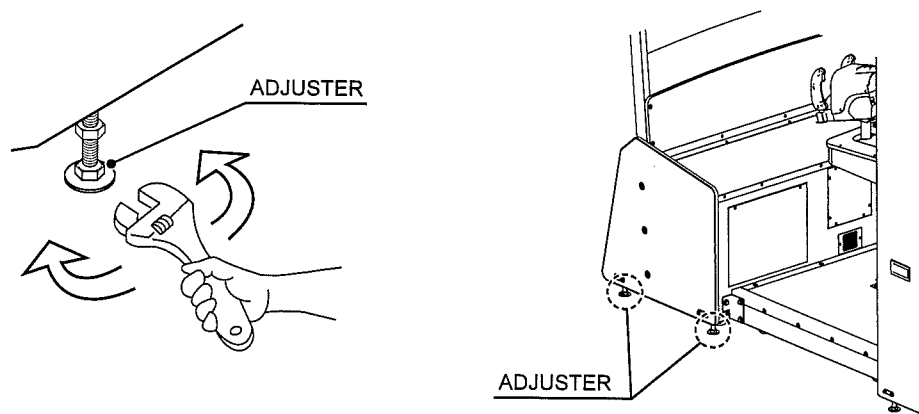
STOP IMPORTANT

- Be careful not to damage the air tubes. In some cases, water may escape from the air tubes while work is being performed. Ensure that all water is wiped away before you proceed. If you continue working without wiping away the water, this may cause a serious accident or damage to the product.
- Depending on your location, this product may not contain a compressor. In such a case, disregard any explanations related to the air tubes.

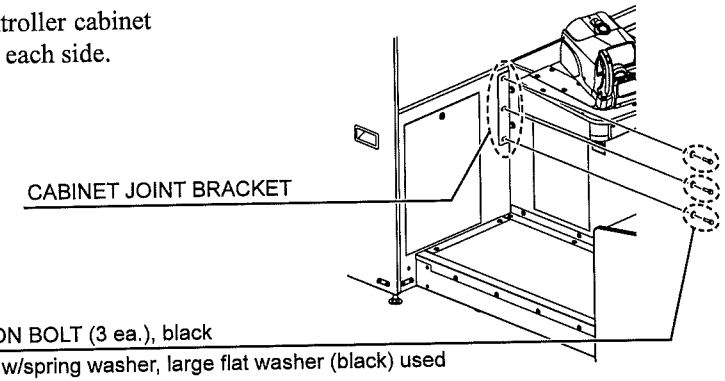
1 Connect the seat cabinet to the controller cabinet. While lifting up the controller cabinet, align it so that the tabs on the seat cabinet fit into the slots on the controller cabinet. Use 2 workers to move the cabinet, with 1 worker each on the left and right sides. Be careful not to damage the cable connected with the controller cabinet.



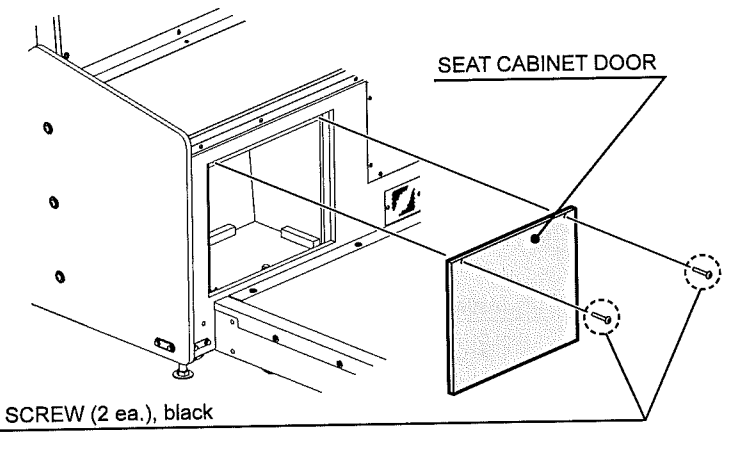
2 Bring the adjuster of the seat cabinet into direct contact with the floor. Seat cabinet comes with casters attached at 4 locations and adjusters at 4 locations. Set the height of the adjusters with a wrench so that the cabinet joint bracket keeps in firm contact with the LCD cabinet.



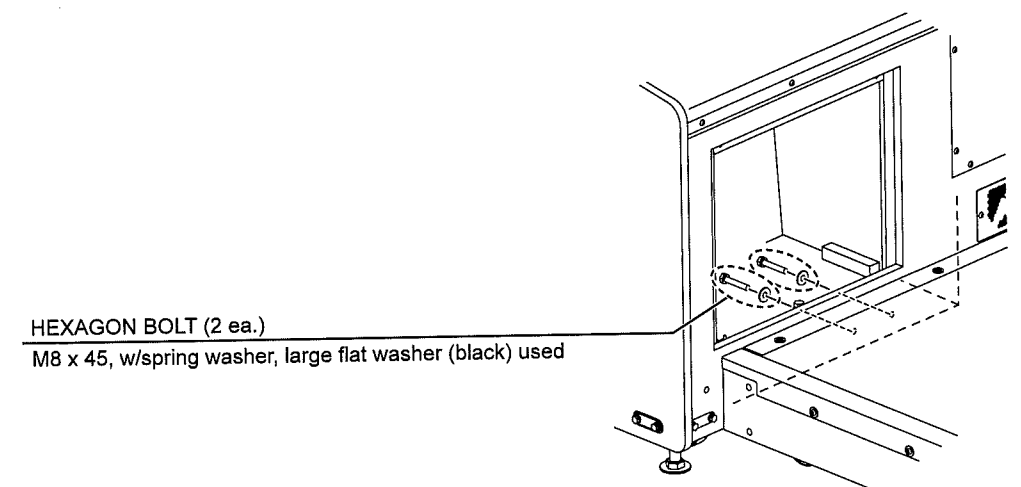
3 Fasten the LCD cabinet and controller cabinet in place with 3 hexagon bolts on each side.



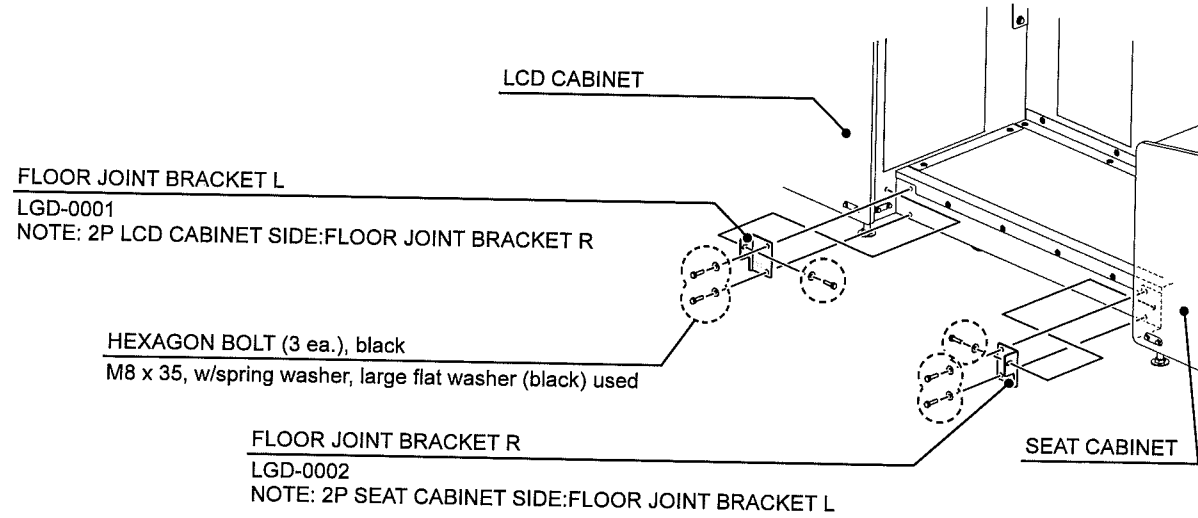
4 Use a Tamperproof wrench to remove the 2 Tamperproof screws on each side and pull out the 2 seat cabinet doors. The screws that you removed in this Step will be used later, and should be stored carefully.



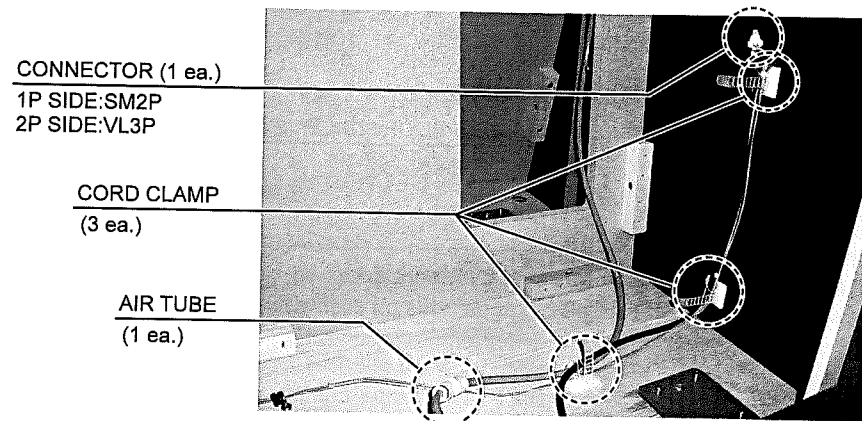
5 From the inside of the seat cabinet doors on both the 1P and 2P sides, fasten the controller cabinet to the seat cabinet using 2 hexagon bolts on each side.



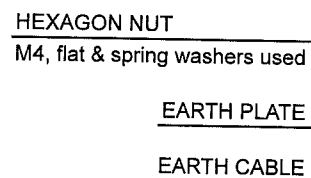
- 6** Fasten 2 floor joint bracket Ls and 2 floor joint bracket Rs using 3 hexagon bolts for each.
NOTE: Be careful not to confuse floor joint bracket Ls and floor joint bracket Rs and ensure that you are attaching them at the right location.



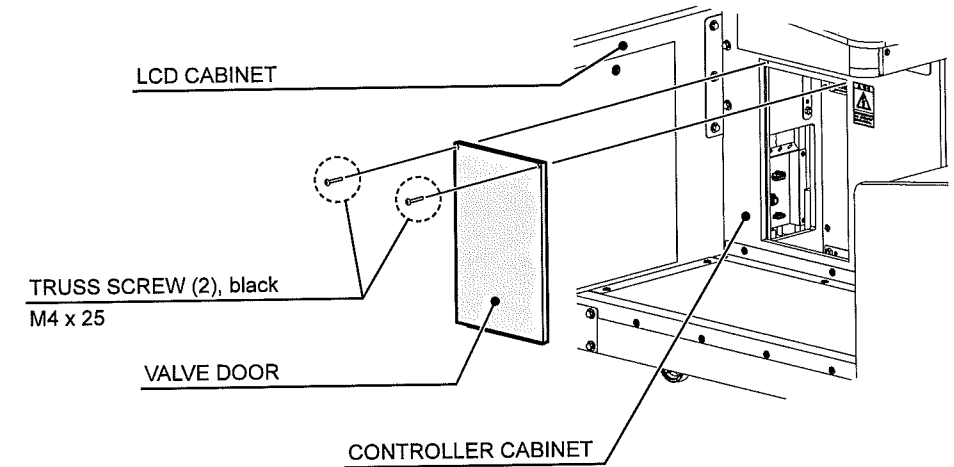
- 7** Reaching your hand in from the inside of the seat cabinet doors on both the 1P and 2P sides, draw out 1 connector and 1 air tube each from the openings on both the 1P and 2P sides of the controller cabinet and connect them. After connecting them, fix each of them in place with 3 cord clamps. Also, draw out the earth cable from the 2P side at this time.
NOTE: Ensure that the air tubes are inserted securely into the interior.



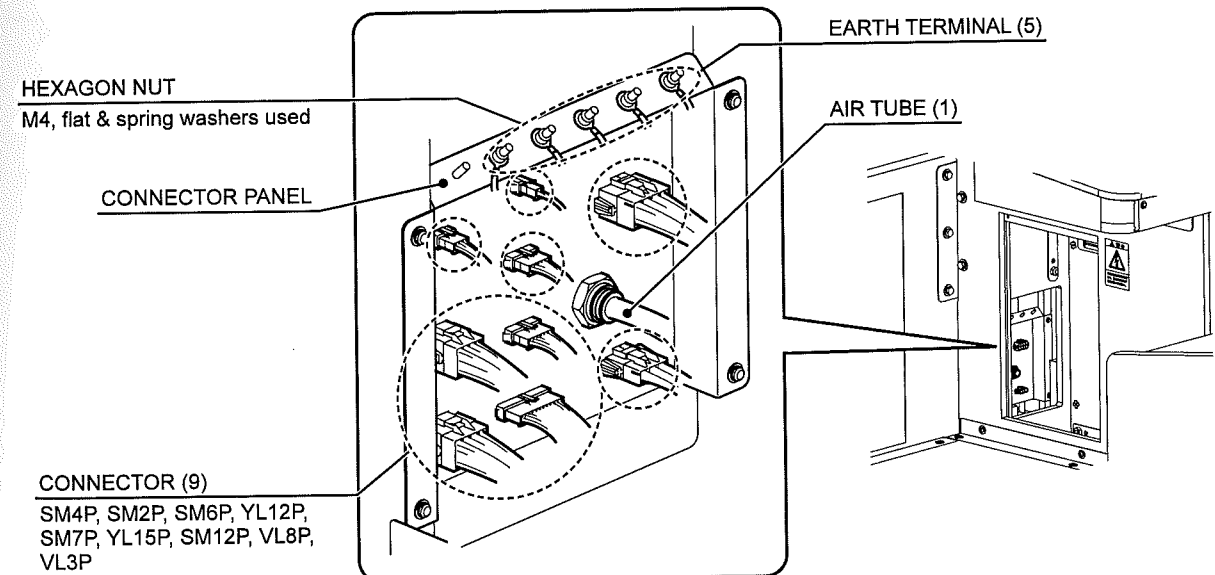
- 8** Connect the earth cable to the earth plate. Use the included screw by removing it from the earth plate.



- 9** Refer to Step 4, work in reverse order to attach the 2 cabinet doors.
10 Remove the 2 truss screws and take off the valve door.



- 11** Connect 9 connectors, 1 air tube, and 5 earth terminals. Remove the included screws from the connector panel and fasten the earth terminals to the positions shown in the figure using hexagon nuts.
NOTE: Ensure that the air tube is inserted securely into the interior.

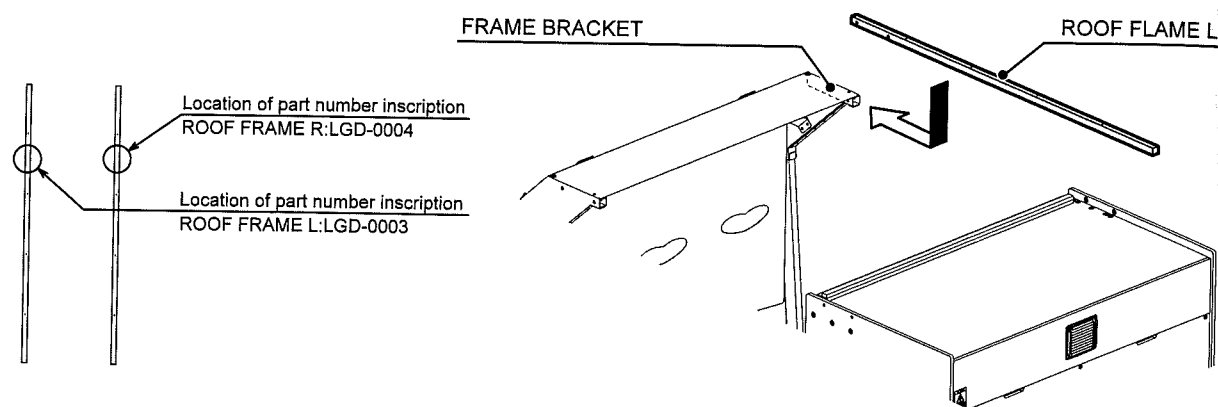


- 12** Refer to Step 10, work in reverse order to attach the valve door.

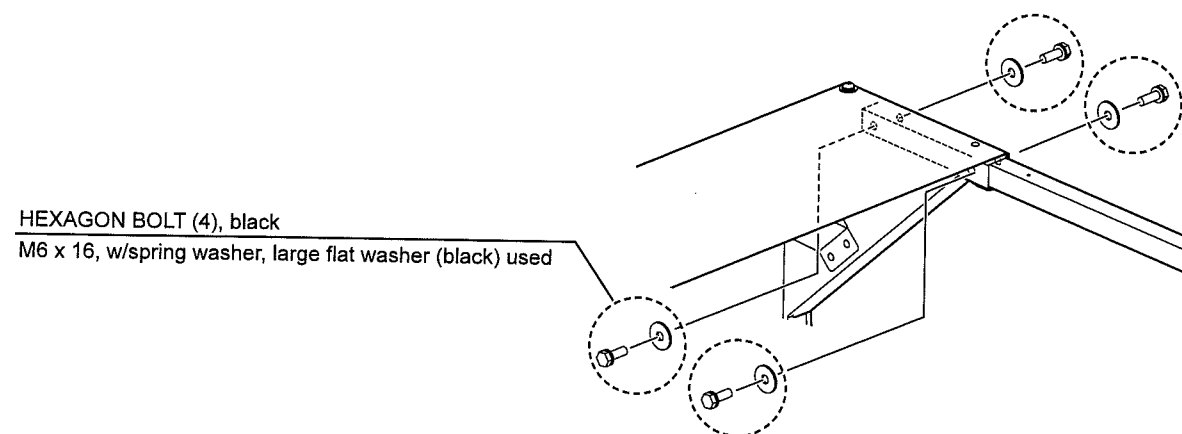
6-5 ATTACHING THE ROOF FRAME

1 Set one side of roof frame L on the LCD cabinet and insert it into the frame bracket on the top of the seat cabinet by sliding it.

NOTE: Be careful not to confuse roof frame L and roof frame R and ensure that you are attaching them at the right location.



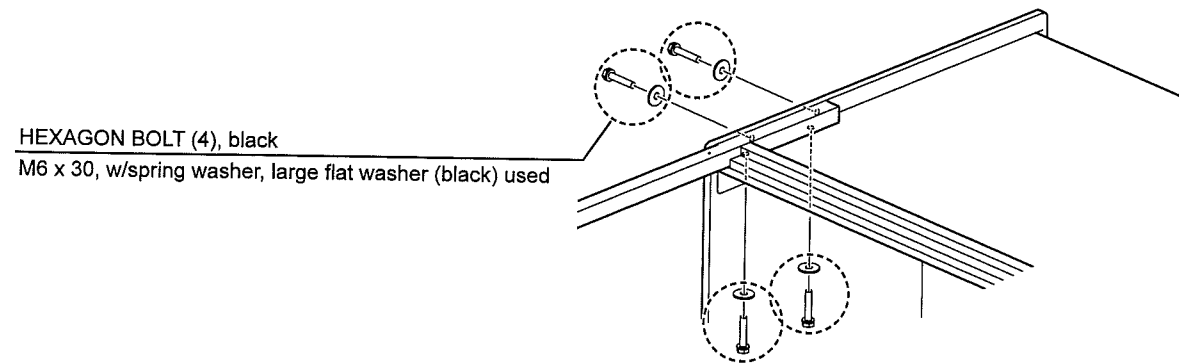
2 Lightly fasten roof frame L on the seat cabinet side with 4 hexagon bolts.



HEXAGON BOLT (4), black
M6 x 16, w/spring washer, large flat washer (black) used

3 Lightly fasten roof frame L on the LCD cabinet side with 4 hexagon bolts. The position of the screw holes may become misaligned at this time. Use 2 or more workers to adjust the position and then lightly fasten roof frame L.

NOTE: If it is difficult to attach these parts, adjust the height of the adjusters on each cabinet.



HEXAGON BOLT (4), black
M6 x 30, w/spring washer, large flat washer (black) used

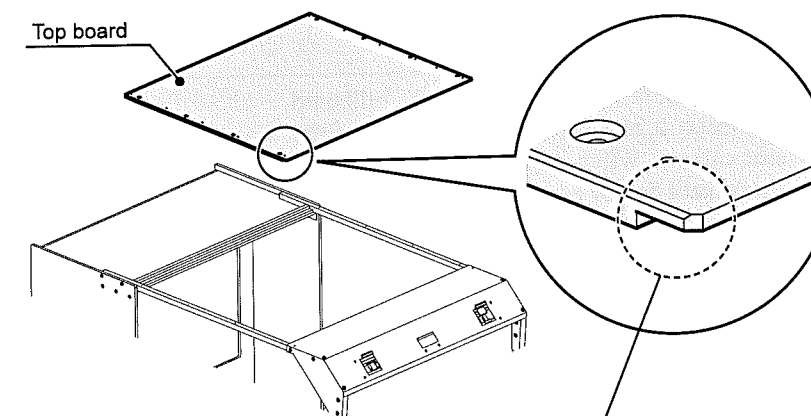
4 Refer to Steps 1 through 3 and lightly fasten the roof frame R.

5 Fully tighten the 16 hexagon bolts that were lightly tightened in Steps 2 through 4.

6-6 ATTACHING THE TOP BOARD

1 Set the top board over the roof frame attached in 6-5 "ATTACHING THE ROOF FRAME." Use 2 or more workers when performing this task. When attaching the top board, be careful not to mix up the front and back or the top and bottom.

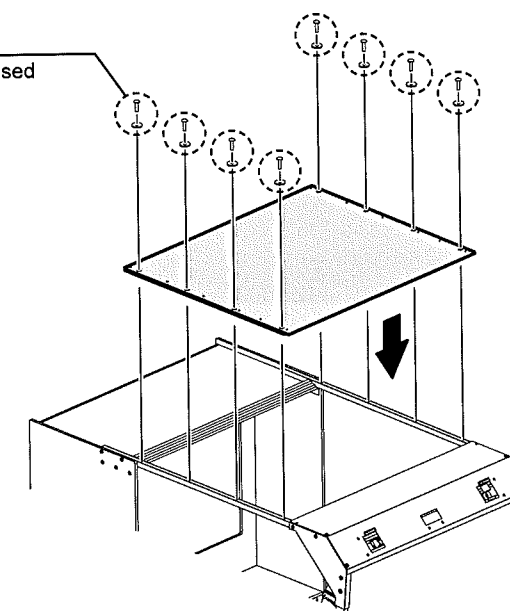
NOTE:
- Pay attention to the direction in which you are attaching the top board.
- If it is difficult to attach this part, adjust the height of the adjusters on each cabinet.



There is a notch in the underside of the top board on the seat cabinet side.

2 Attach the top board with the 8 truss screws. Use a stepstool when performing work on the top of the cabinet.

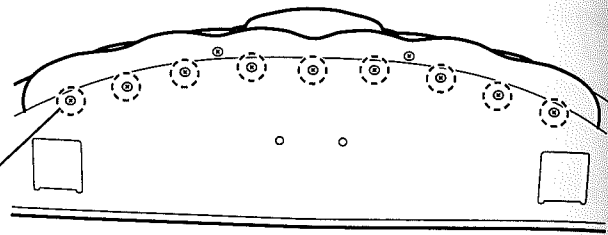
TRUSS SCREW (8), chrome
M4 x 16, large flat washer (chrome) used



6-7 ATTACHING THE BILLBOARD

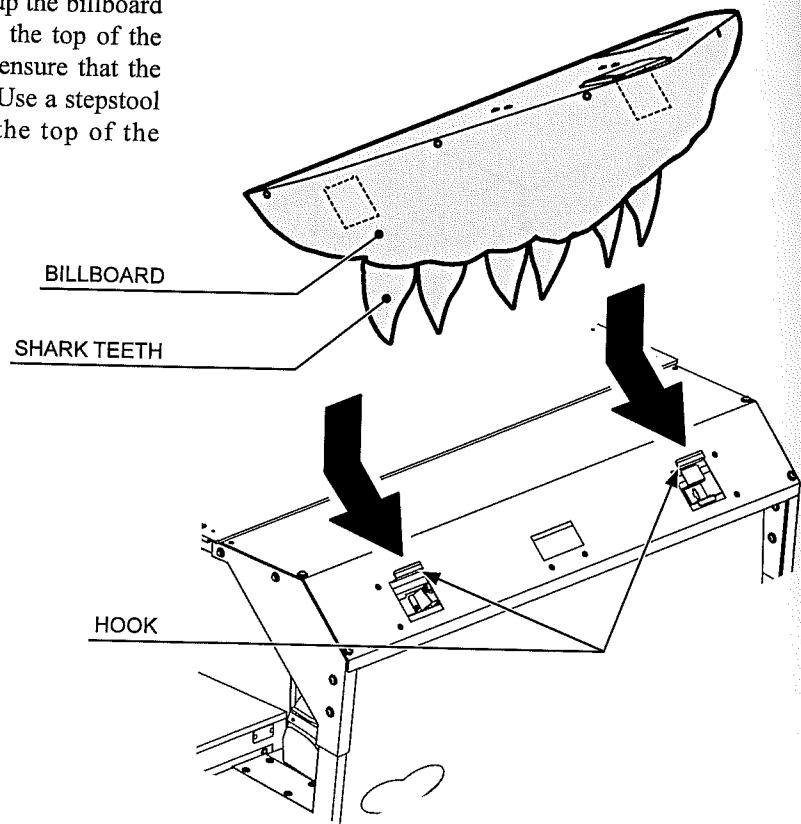
1 Remove 9 truss screws attached to the billboard and attach shark teeth L, C, and R using 3 of the truss screws you removed for each.

TRUSS SCREW (9), black
M4 x 16, large flat washer (black)

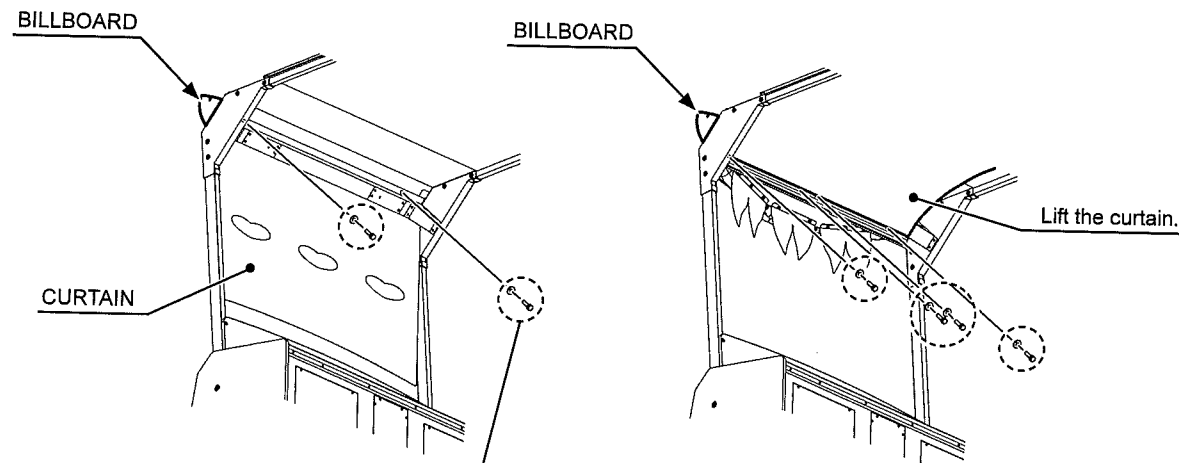


6

2 Use 2 or more workers to lift up the billboard and insert it into the hooks at the top of the seat cabinet. When doing so, ensure that the shark teeth do not get caught. Use a stepstool when performing work on the top of the cabinet.



3 Fasten the billboard in place with 6 hexagon bolts.

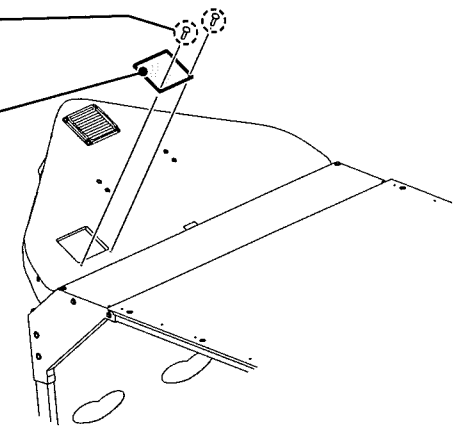


HEXAGON BOLT (6), black
M8 x 35, w/spring washer, large flat washer (black) used

4 Remove the 2 truss screws and take off the billboard lid on the top of the billboard. Use a stepstool when performing work on the top of the cabinet. The screws that you removed in this Step will be used later, and should be stored carefully.

TRUSS SCREW (2), black
M4 x 16

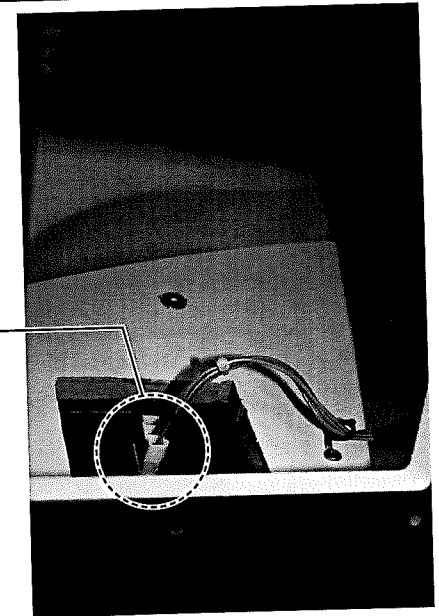
BILLBOARD LID



6

5 Connect the 1 connector in the lid.

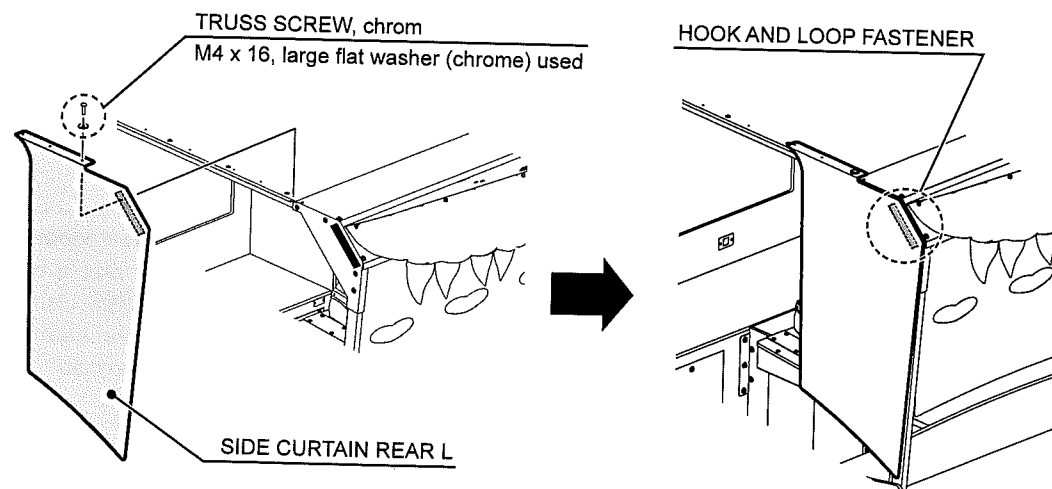
CONNECTOR
VL3P



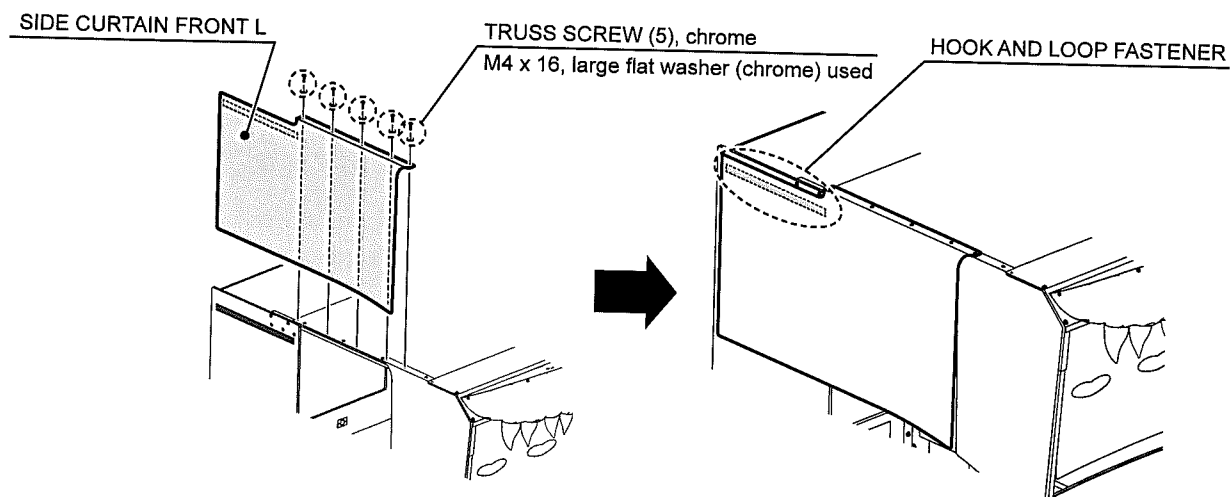
6 Refer to Step 4 and work in the reverse order to attach the billboard lid.

6-8 ATTACHING THE SIDE CURTAIN

1 Attach the side curtain rear L with the 1 truss screw. While removing slack from the curtain, fasten it using a hook and loop fastener. Use a stepstool when performing work on the top of the cabinet.



2 Attach the side curtain front L with the 5 truss screws. (Side curtain rear L will also be fastened with 2 of these truss screws.) While removing slack from the curtain, fasten it using a hook and loop fastener. Use a stepstool when performing work on the top of the cabinet.



3 Refer to Step 1 and Step 2 and attach the side curtain rear R and side curtain front R.

6-9 PREPARING FOR SOFTWARE INSTALLATION

⚠ WARNING

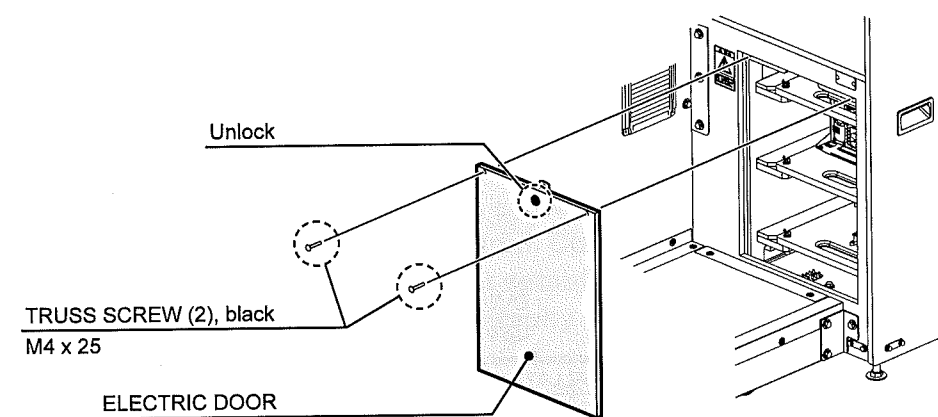
Be careful not to damage the DVD cable or installation cable by getting it caught between objects, etc. Damaged cables may cause a short circuit or fire.

STOP IMPORTANT

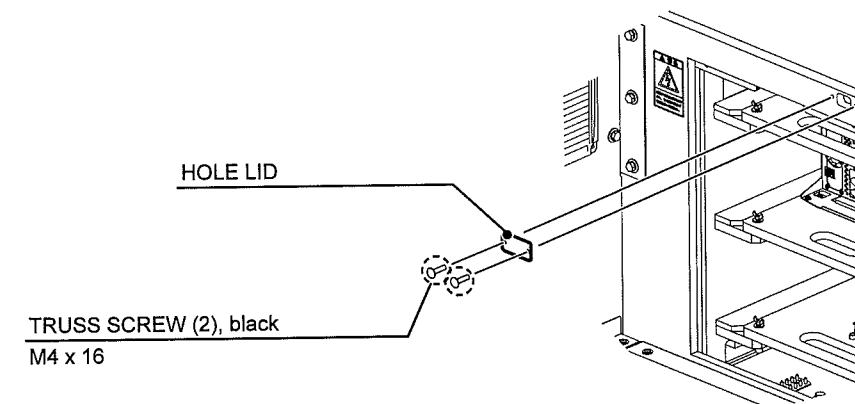
The NH6P connector of the DVD cable is not used. Do not connect it to any open connectors.

You will need the installation cable provided as well as a DVD drive and DVD cable, sold separately.

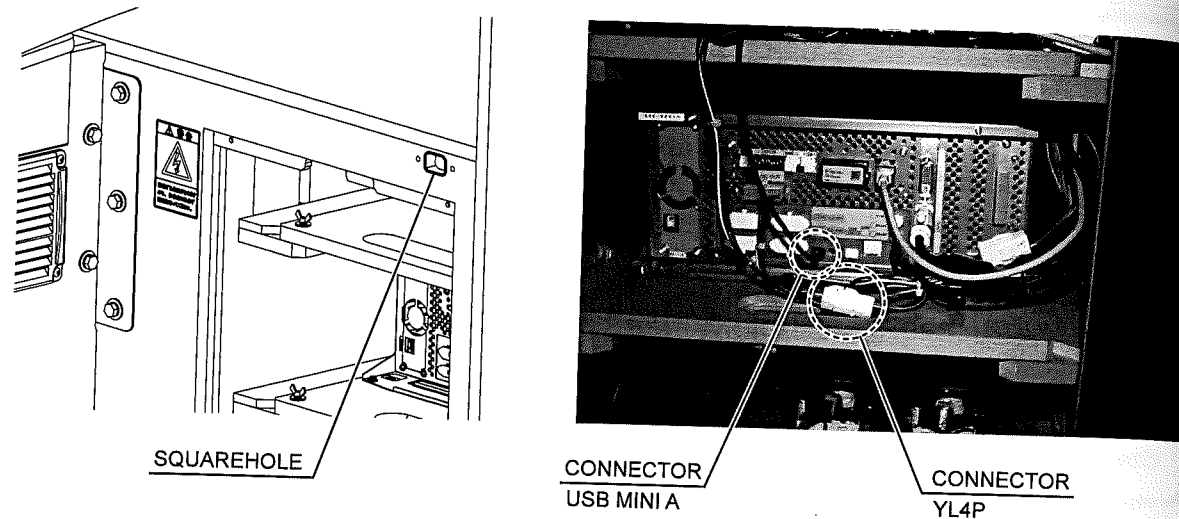
1 Remove the 2 truss screws, unlock the electric door with the master key, and then take it off.



2 Remove the 2 truss screws and take off the hole lid.

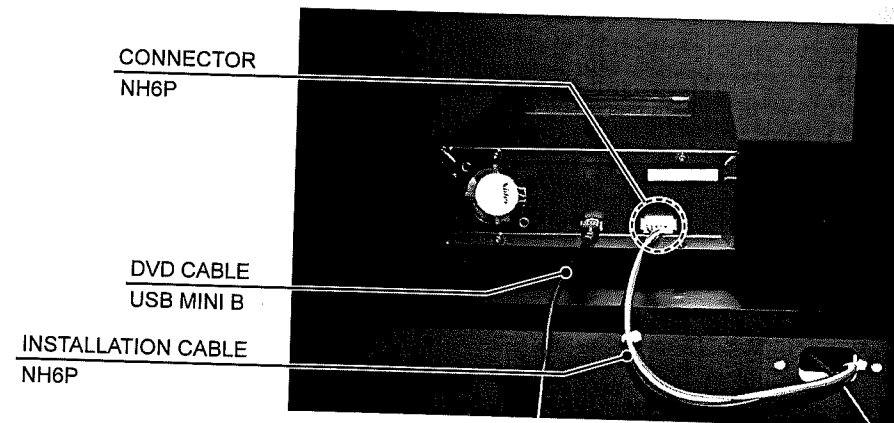


3 Thread the DVD cable connector on the side with the "LINDBERGH" tag and installation cable supplied with the cabinet through the square hole and connect them to the RINGEDGE. The NH6P connector on the side with the "LINDBERGH" tag is not used.



4 Refer to Step 1 and work in reverse order to attach the electric door.

5 Connect the installation cable and DVD cable connectors to the back of the DVD drive. The NH6P connector on the DVD cable is not used.



6-10 CONNECTING THE POWER CABLE AND EARTH

⚠ WARNING

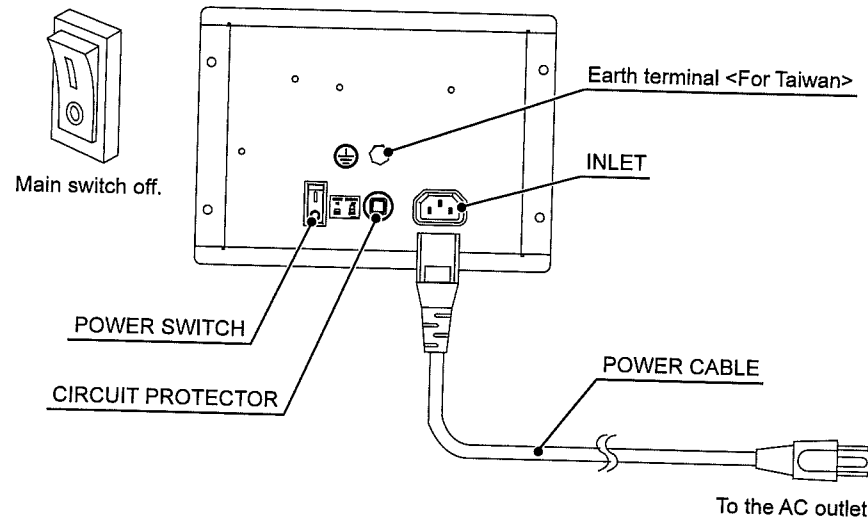
- Use the power supply equipped with an earth leakage breaker. Use of power supply without such a breaker could result in fire if there is a current leakage.
- Have available a securely grounded indoor earth terminal. Without proper grounding, customers could be electrocuted and product operations might not always be stable.
- Do not expose power cables or earth (ground) cables on the surface (floor, passage, etc.). If exposed, the power cables and earth (ground) cables are susceptible to damage. Damaged cables can cause an electric shock or short circuit. Wherever wiring has been laid out on a floor surface, use a wiring protection cover.
- For safety reasons, be sure to first connect the power cable to the product. If the power cable is first connected to the power plug, an accident such as an electric shock or short circuit may occur.
- After laying out the power cable on the floor, be sure to always protect it. If the power cable is left exposed, it can easily be damaged, resulting in electrical shock.

STOP IMPORTANT

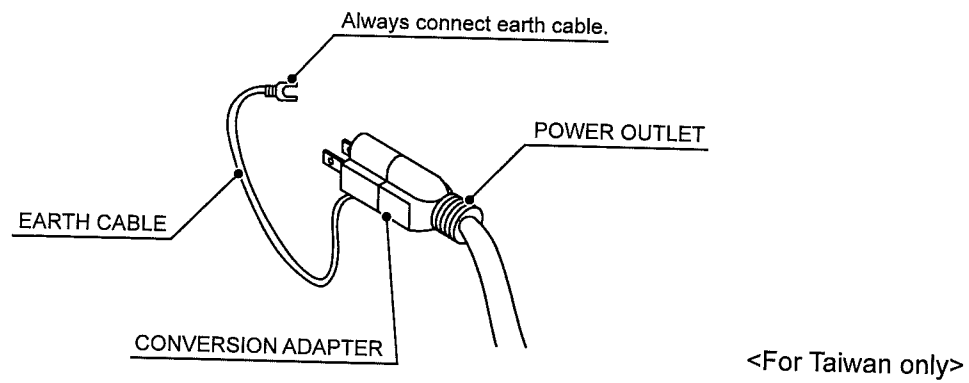
If grounding has been established with the ground cable inside the power cable, do not perform grounding with the AC unit earth terminal. Conversely, if the AC unit earth terminal has been used for grounding, do not establish ground with the ground cable in the power cable. Otherwise there could be faulty or erroneous operations.

The AC unit has power switch, circuit protector, earth terminal and the inlet which connects the power cable.

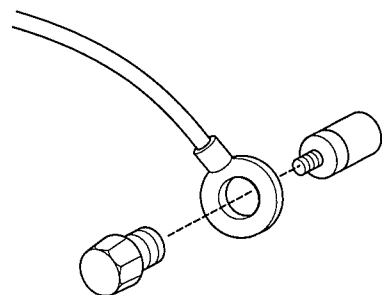
- 1 Confirm that the main switch is at OFF.



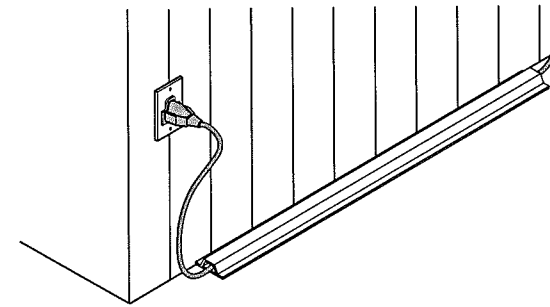
- 2 Connect one end of the earth cable to the AC earth terminal, and the other end to the indoor earth terminal. The accessory power cable contains earth cable. Connect power cable to AC unit inlet, and then insert power cable plug into "power outlet with earth terminal." When using a conversion adapter sold on the market to provide power, connect the adaptor's earth cable terminal to an "earth terminal that is securely grounded."



- 3 If there is no "power outlet with earth terminal," be sure to establish ground by some other means; for example, by connecting the AC unit earth terminal to a earth cable with a earth mechanism prepared separately. A separately prepared earth terminal must be fitted with a bolt and nut. Temporarily remove the nut and pass the bolt through the earth terminal. Then refasten the nut.



- 4 The power cable is laid out indoors. Protect the power cable by attaching cable cover to it.



6-11 SOFTWARE INSTALLATION**⚠ WARNING**

- When working with the product, be sure to turn the power off. Working with the power on may cause an electric shock or short circuit.
- The following explanation assumes that the product has been assembled properly as explained above. If there is an error or if the product operates in a manner other than as indicated below, turn off the power supply immediately. Failure to do so may result in a fire or electrical shock.
- Looking directly at the laser of the DVD DRIVE may cause eye injuries. Do not look inside the DVD DRIVE.

CAUTIONS REGARDING USE OF DVD DRIVE AND DVD CABLE**STOP IMPORTANT**

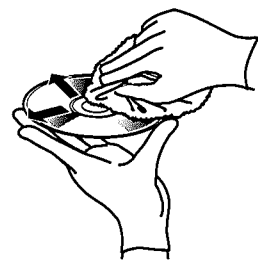
- Do not use or store the DVD DRIVE or DVD cable in any of the following locations, as this may result in serious damage.
 - [Do not use or store in these locations]
 - Anywhere which may vibrate or shock the equipment
 - In direct sunlight
 - In damp or dusty places
 - In places with a sharp change in temperature
 - Close to anything that gives off heat (a heater, etc.)
 - Close to anything with a strong magnetic field (magnets, monitor, speakers, radio, etc.)
 - Anywhere that is likely to get wet (kitchen, etc.)
 - Anywhere with a slope or incline
 - Anywhere with corrosive gas in the air (chlorine, hydrogen sulfide, ammonia, sulfur dioxide, etc.)
 - Anywhere with strong static electricity
 - [Do not use in these locations]
 - Close to anything that is highly retentive of heat (carpet, sponge, cardboard, etc.)
 - Anywhere that blocks the DVD DRIVE air vent.
- The DVD DRIVE is a delicate piece of equipment. Avoid the following.
 - Dropping the DVD DRIVE or exposing it to impact.
 - Getting water or other liquids on it, or placing small items on top of it.
 - Placing large or heavy items on top of it.
 - Drinking or smoking close to the DVD DRIVE.
- Do not turn off the power to the DVD DRIVE when its access lamp is on or flashing, as this could cause damage to the device.

- Do not allow any foreign materials, such as liquids, metals or smoke inside the DVD DRIVE.
- Use a soft, dry cloth to wipe off any dirt or marks on the DVD DRIVE.
 - If you need to use a cleaning agent, always use a "neutral" agent diluted in water.
 - Never use products or cleaning agents containing benzene, alcohol, thinners, etc.
- Do not touch the lens inside the DVD DRIVE. Doing so may prevent it from reading accurately.
- The chip components on IC boards can be damaged by electrostatic discharge from the human body. Before handling an IC board, always neutralize any static charge in the body by touching a grounded metal surface.
- After the power supply is engaged, the DVD DRIVE tray will not come out for about 30 seconds even if you press the switch. This is due to DVD DRIVE initialization.
- The DVD DRIVE tray can come out or return only while the power supply is engaged. The tray cannot be opened or closed while the power is off.
- After software has been installed, be sure to store the DVD software kit, DVD DRIVE and DVD cable at a secure location.
- If for any reason installation cannot be completed, an error is displayed. Refer to the RINGEDGE Service Manual and take corrective action.

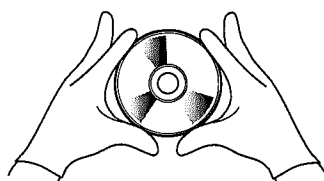
HANDLING THE DVD

STOP IMPORTANT

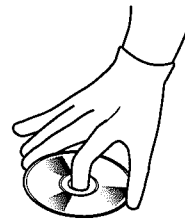
- Do not use a DVD with a damaged front. This may cause a malfunction.
- Insert the DVD into the DVD DRIVE with the label facing upwards.
- Do not get fingerprints or dust particles on the disc. Contaminated discs may lower audio and video quality, and may result in read malfunctions.
- When cleaning the disc, do not use volatile chemicals (benzene, thinner, etc.), cleaning sprays, or antistatic agents.
- Do not use a cracked, warped, or damaged DVD. Do not attach papers or seals onto the DVD to avoid scratching it. Do not use a DVD with signs of peeled seals, tape, etc. If such a DVD is placed in the DVD DRIVE, malfunctions, such as the inability to remove the DVD from the drive, may result.
- When cleaning a heavily contaminated DVD, use a clean cloth that has been soaked in water and squeezed. After wiping, remove any remaining moisture with a clean, dry cloth.
- When holding the DVD, be sure not to leave fingerprints on the glossy side.



Wipe the DVD with a soft cloth, working from the center outwards.



How to Hold a DVD With both hands:
Put your thumbs and forefingers on 4 opposite sides of the DVD.

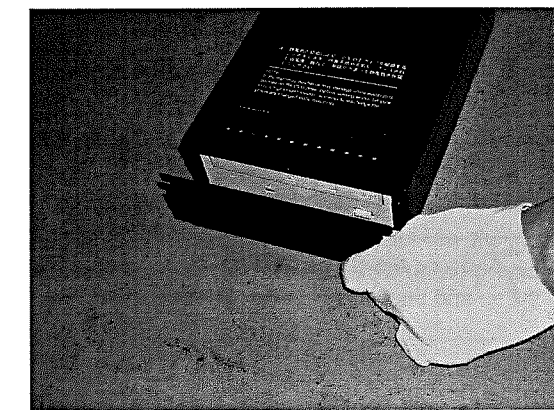
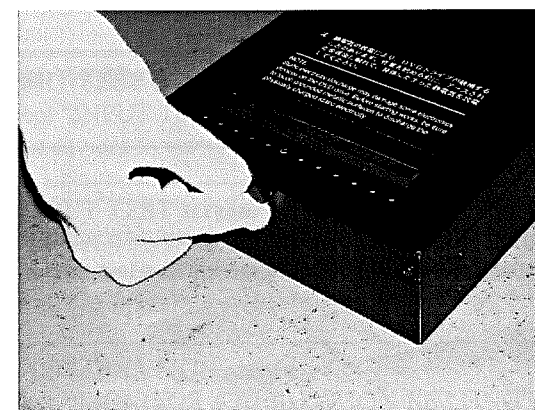


With one hand:
Insert your forefinger into the center hole, while placing your thumb and middle finger on opposite sides of the DVD.

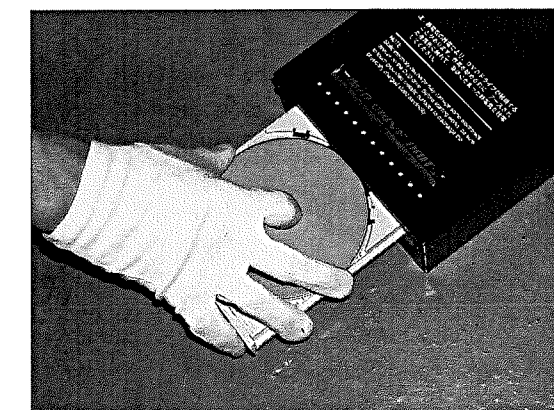
Installation takes about 15 minutes. If you observe a phenomenon not described in this manual after 15 minutes have passed, contact the customer service center listed in this manual. If an OS update is necessary, it will be performed simultaneously with the software update and the system will automatically reboot. The screen will indicate when a reboot is in progress. Performing an OS update and rebooting the system requires additional time.

Prepare the DVD software kit.

- 1 Turn the power switch on the cabinet connected to the DVD DRIVE to ON.
- 2 The RINGEDGE startup image appears on the screen.
- 3 Wait for at least 1 minute. The monitor of the cabinet connected to the DVD DRIVE will display "Please Insert Disc."
- 4 Remove 1 thumbscrew, and then remove DVD DRIVE case lid.



- 5 Press the DVD DRIVE switch. The DVD DRIVE tray comes out. Set the DVD from the DVD software kit into the tray. Always have the DVD label side facing upward.



- 6 Press the DVD DRIVE switch to have the tray return. Software installs automatically from the DVD to the RINGEDGE. Do not turn off the power to the cabinet during the installation.

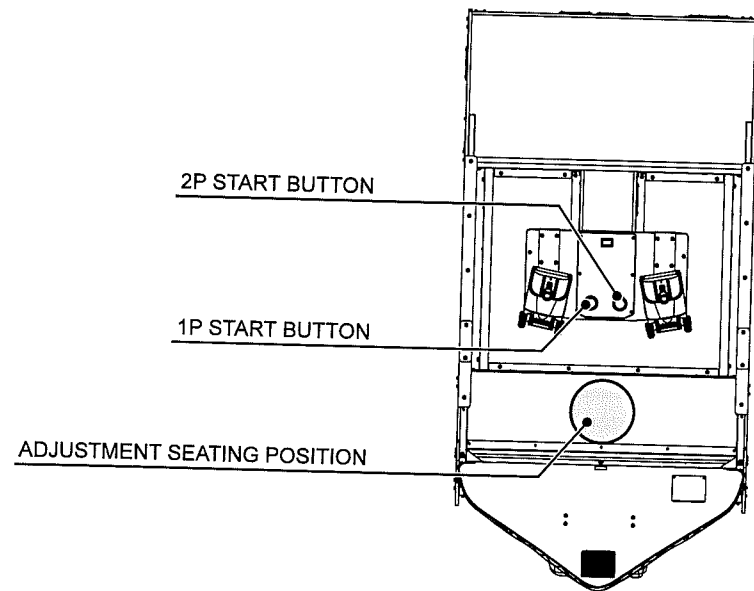
- 7 When installation is finished, the initialization operation will be performed automatically. When the advertising screen is displayed, the initialization operation is complete.
- 8 Press the DVD DRIVE switch to have the tray come out, and then remove the DVD.
- 9 Press the DVD DRIVE switch to have the tray return. When the power is cut off the tray will not move.
- 10 Turn off the power switch to the cabinet.
- 11 Disconnect the DVD cable and installation cable from the DVD DRIVE.
- 12 Attach DVD DRIVE case lid and fasten it with 1 thumbscrew.
- 13 Refer to Step 1 in 6-9 "PREPARING FOR SOFTWARE INSTALLATION" to take off the electric door.
- 14 Disconnect the DVD cable and installation cable from the RINGEDGE.
- 15 Refer to Step 1 and Step 2 in 6-9 "PREPARING FOR SOFTWARE INSTALLATION" and in reverse order to attach the hole lid and electric door.
- 16 Turn on the power switch to the cabinet.
- 17 Store the DVD DRIVE, DVD cable, installation cable, and DVD software kit in a location free from dust and cigarette smoke.

6-12 ASSEMBLING CHECK

Use TEST MODE to check whether or not the product has been assembled correctly.

- 1 Turn on the power switch to the cabinet.
- 2 The fluorescent lamps in the billboard light up.
- 3 The RINGEDGE startup image appears on the screen.
- 4 The initialization screen appears on the screen. After the initialization operation is performed, the advertise screen appears.
- 5 Press the TEST Button to enter TEST MODE and bring up the SYSTEM TEST MENU screen. (See Chapter 10.)
- 6 Select "GAME TEST MODE" in SYSTEM TEST MODE to enter GAME TEST MODE. (See 11-1.)
- 7 **INPUT TEST screen**
Select "INPUT TEST" in GAME TEST MODE to bring up the INPUT TEST screen, allowing you to test input devices to verify they are working properly. (See 11-3.)
- 8 **OUTPUT TEST screen**
Select "OUTPUT" in GAME TEST MODE to bring up the OUTPUT screen where you can view the status of output devices. You can check that controllers are vibrating properly, lamps and LEDs lighting properly, and air jets operating properly. (See 11-4.)
- 9 **3D CALIBRATION screen**
Select "MONITOR CALIBRATION SETTING" in GAME TEST MODE to bring up the MONITOR CALIBRATION screen. Select "3D CALIBRATION" to bring up the 3D CALIBRATION screen, allowing you to calibrate 3D display.

- 10** Sit in the adjustment seating position shown in the figure and check the screen. Press the TEST Button or 2P START button to move to the next display status value. Press the 1P START button to return to the previous display status value. There are a total of 5 values to choose from when making adjustments, so adjust it to the optimal position while watching from the adjustment seating position. (See 11-6-2.)



- 11** **CONT CALIBRATION SETTING screen**
Select "CONT CALIBRATION SETTING" in GAME TEST MODE to bring up the CONTROLLER CALIBRATION screen, allowing you to calibrate controllers. Select "CALIBRATION START" and swing the 1P and 2P controllers all the way up, down, left, and right to calibrate them. (See 11-7.)

- 12** After all checks are finished, be sure to play a game before putting the product into operation to check for gameplay problems and determine whether further adjustments are needed.

7 PRECAUTIONS WHEN MOVING THE MACHINE

⚠ WARNING

- When moving the machine, be sure to pull out the plug from the power supply. Moving the machine with the plug still inserted can cause the power cable to be damaged, resulting in a fire and/or electric shock.
- Never disassemble the unit in ways other than those described in this manual. Doing so can cause accidents such as electric shocks, short circuits, and fires.
- When moving the machine on the floor, retract the adjusters, and ensure that the casters make contact with the floor. Pay careful attention so that the casters do not run over power cables and earth cables. Damaging the power cables can cause an electric shock and/or short circuit.
- When lifting each cabinet, be sure to hold the grip portions or bottom part. Lifting the cabinet by holding other portions may damage parts and installation portions due to the empty weight of the cabinet, and may cause personal injury.
- Ensure that casters are not placed on a sloped or otherwise unstable surface where they could move under their own weight.
- When tilting the cabinet to move it across a sloped or stepped area, always use at least two people. Attempting such an operation alone can lead to accident or injury.
- When moving the components separately, take care concerning the direction you push the LCD cabinet in. These elements may fall over, causing damage or an accident.

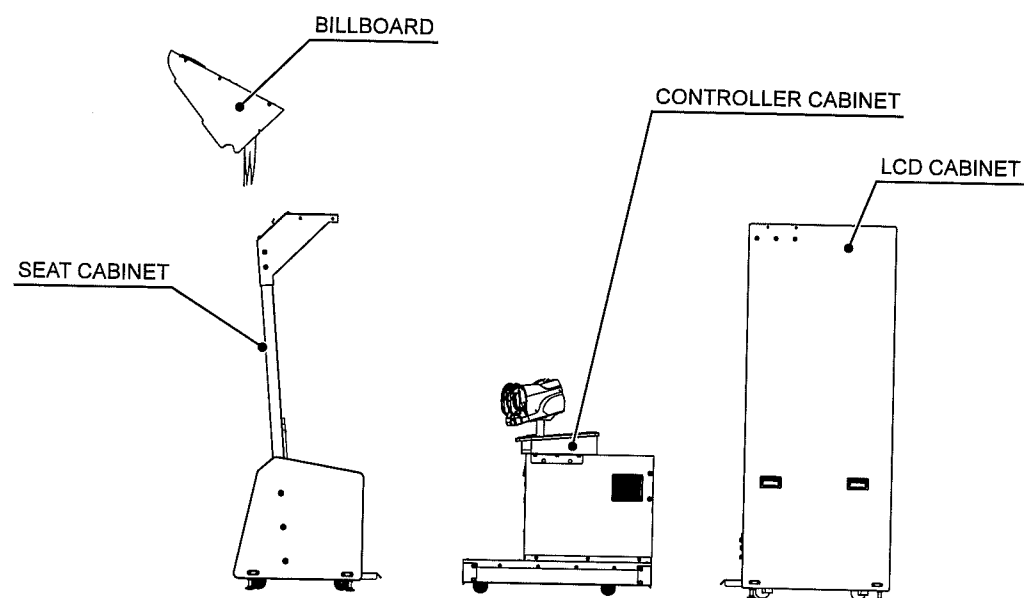
⚠ CAUTION

- Do not push on or hold the product by parts made of plastic or glass. Doing so could cause these parts to break, and broken pieces may cause personal injury.
- When moving the cabinet, do not hold or push any parts other than those designated. Careless handling could cause these parts to break, and broken pieces may cause personal injury.

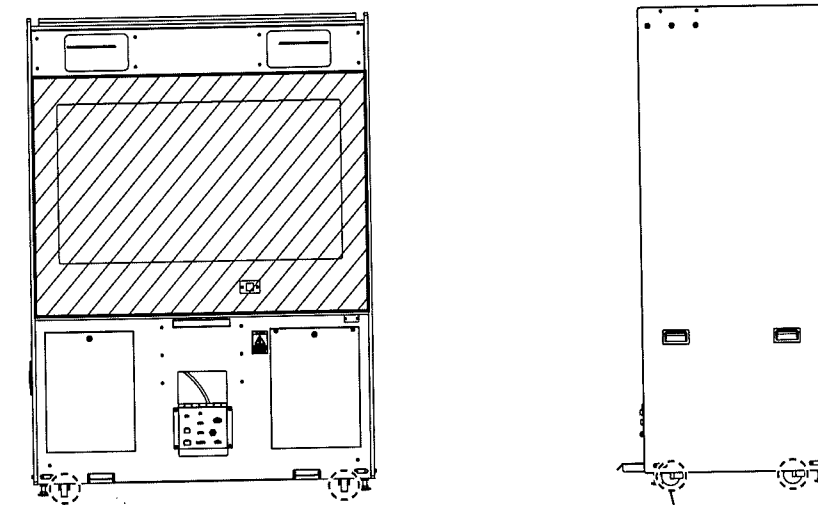
STOP IMPORTANT

- Moving casters over the floor surface can damage the floor, depending on its material. Have available a mat for moving casters over the floor. If there is a rug or carpet on the floor, remove it before moving the unit.
- Do not stack parts that have been separated or disassembled indiscriminately. The surface of the parts could be damaged or deformed. Significant deformations can result in improper operation and breakdowns.
- Do not lean separated or disassembled parts against a wall or other surface indiscriminately. The parts could be deformed. Accidents could also occur should the parts fall over.
- Remove the billboard when moving the cabinet through spaces where the overhead clearance is lower than 2.3 m (90.6 in).
- Do not allow ropes to come in contact with the surface of the machine directly or they may scratch it. Put some kind of protective material under the rope where it will touch the machine.

When moving it across the floor, detach the LCD cabinet, controller cabinet, seat cabinet and billboard. Refer to Chapter 6 and work in reverse order to perform the detaching work.

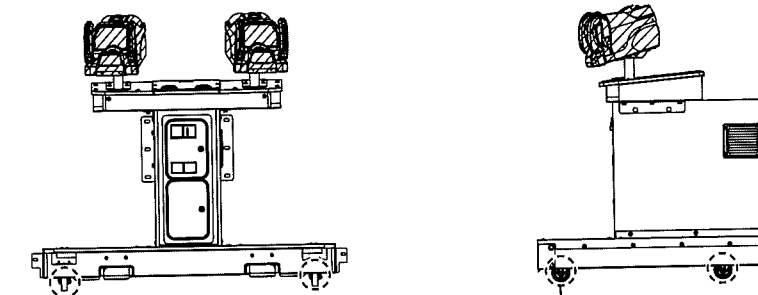


Do not push the product holding the shaded areas.

LCD CABINET

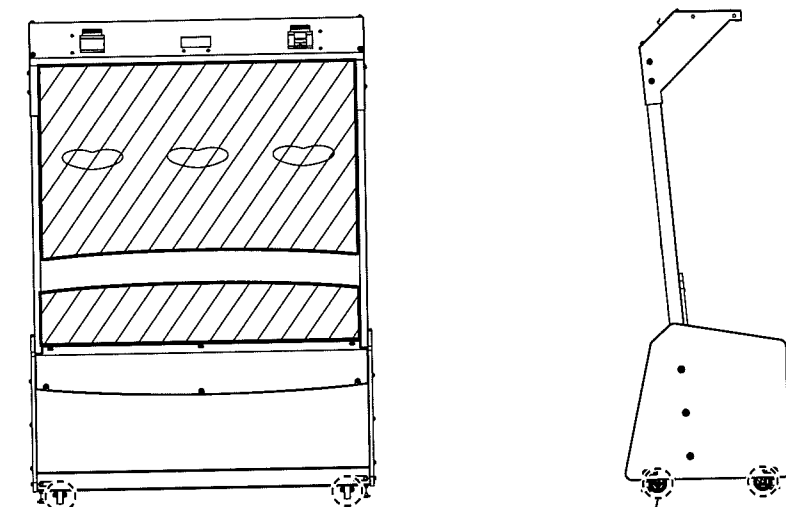
Have caster make contact with the floor.

Have caster make contact with the floor.

CONTROLLER CABINET

Have caster make contact with the floor.

Have caster make contact with the floor.

SEAT CABINET

Have caster make contact with the floor.

Have caster make contact with the floor.

8 GAME DESCRIPTION

8-1 GAME OUTLINE

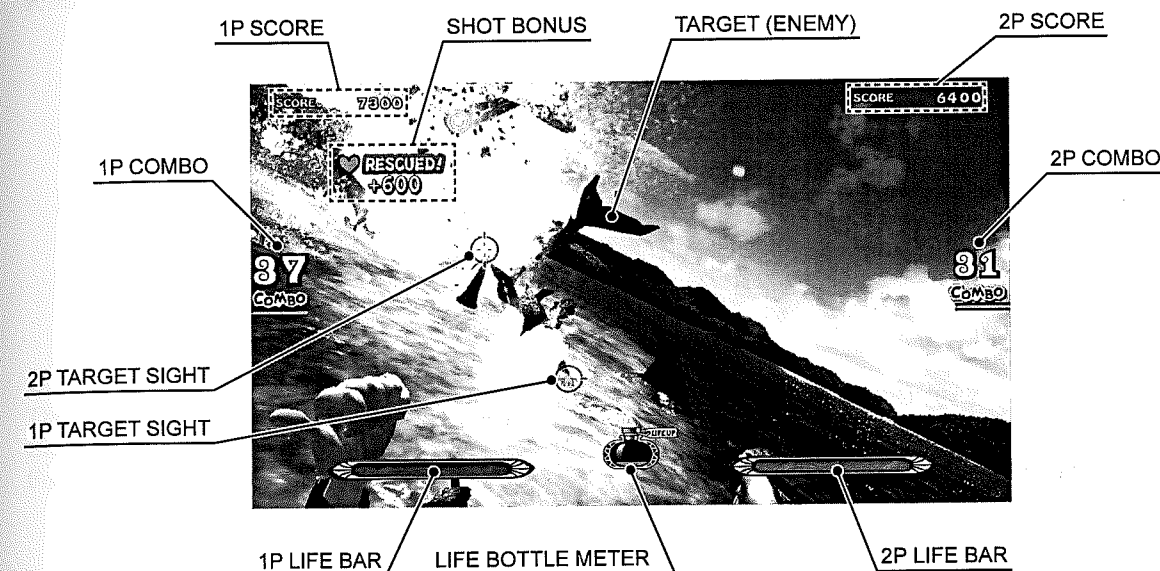
"LET'S GO ISLAND 3D" is a wild and crazy action adventure/gun shooting game in which players experience the thrills and exhilarating fun of taking down waves of incoming giant beasts with machine guns. Besides shooting giant creatures with a gun, the game includes a number of other mechanics to keep players' interest, such as mashing buttons to escape from tight spots. Regardless of age, gender, or nationality, it also allows two people to have a great time while working together side-by-side.

STORY

A female tourist named Beth arrives at a Pacific resort hoping for a nice relaxing vacation. Her tour guide Zack takes her out on the water, and suddenly they are attacked by ferocious creatures that have grown to giant proportions. Can these two polar opposite personalities work together and escape from a deserted island in the middle of the South Seas? And maybe they'll even find...romance?

8-2 BASIC CONTROLS AND FUNCTIONS

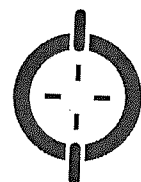
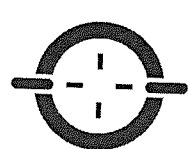
8-2-1 GAME SCREEN



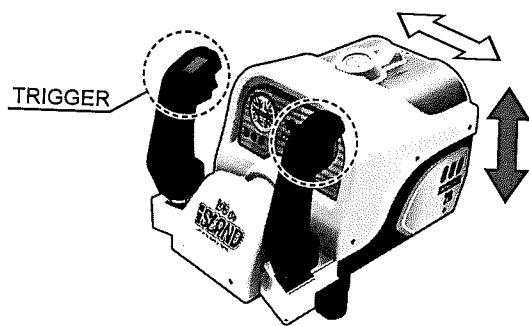
1P/2P SCORE	Each player's total score.
1P/2P COMBO	Number of consecutive hits each player scores on the enemy.
1P/2P TARGET SIGHT	The target sight controlled by each player. Pulling the trigger fires a shot at this location.
1P/2P LIFE BAR	Each player's remaining LIFE.
LIFE BOTTLE METER	A meter that fills up according to the players' skill.
SHOT BONUS	Appears when a player makes a skillful shot.
TARGET (ENEMY)	Enemies advancing toward the players.

8-2-2 BASIC CONTROLS

- Moving the controller will move the target sight on the screen.
- Pulling the trigger fires a bullet. (Bullets are fired continuously as long as the trigger is held. You have unlimited ammunition.)



1P (left seat) target sight 2P (right seat) target sight
Targets Sight



Controller

8

8-2-3 GAME RULES

Once the game starts, the life for the player(s) will be displayed. The 1P side is red and the 2P side is blue.

- Defeat the oncoming enemies.
- Being hit by enemy attacks will reduce your life.
- It is game over when your life reaches zero.



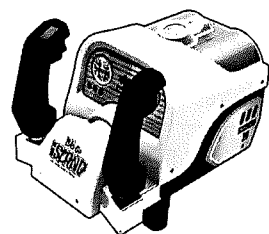
Player Life

ACTION

During the game, a player will have to perform various actions. When an action needs to be performed, the action icon will appear on the screen. The action icon indicates the start of an action. Then follow the onscreen instructions.



Action Icon



Move the controller.



Press the start button.

MARK

Sometimes marks will appear on a large enemy or something that can be destroyed. Whenever they appear on the screen, try to destroy all of the marks within the time limit. If you fail to destroy them before time runs out, you will be hit by an enemy attack and lose some LIFE. Marks change color as time passes.



MARK



GREEN



YELLOW



RED

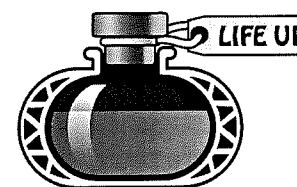
Lots ←

Time remaining →

Not much

HINTS FOR PLAYING THE GAME

Making a shot or performing an action that requires more skill than normal (a shot that makes a Shot Bonus appear or an S-Rank action) causes points to build in the Life Bottle Meter in the center of the screen. When the meter reaches a certain number of points, the player receives a set LIFE bonus.

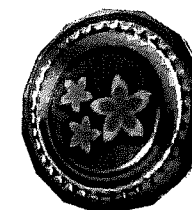


Life bottle Meter

Destroying certain items within the stage causes items to appear. There are two general types of items, food and coins. Each type of item can be collected by shooting it. Food items restore LIFE, while coin items give score bonuses.



Food Item



COIN Item

8

AIR AUTOMATIC SHUTDOWN SYSTEM

NOTE: Depending on your location, this product may not offer this feature.

If the game is operated continuously for 24 hours, a message will appear toward the top of the screen and air jets operation will cease. To restore the air jets operation to normal, reengage the power while the air shutdown message is shown on the screen. After the game starts up again, air jets operation will function normally and the message will disappear. (Do not turn off the power while in TEST MODE.)



AIR SHUTDOWN MESSAGE

AIR AUTOMATIC SHUTDOWN SYSTEM screen

9 SWITCH UNIT AND COIN METER

⚠ WARNING

Do not touch undesignated places. Touching places not designated can cause electric shock or short circuit.

⚠ CAUTION

When attaching or removing doors, be careful that your hand or finger does not get caught in anything.

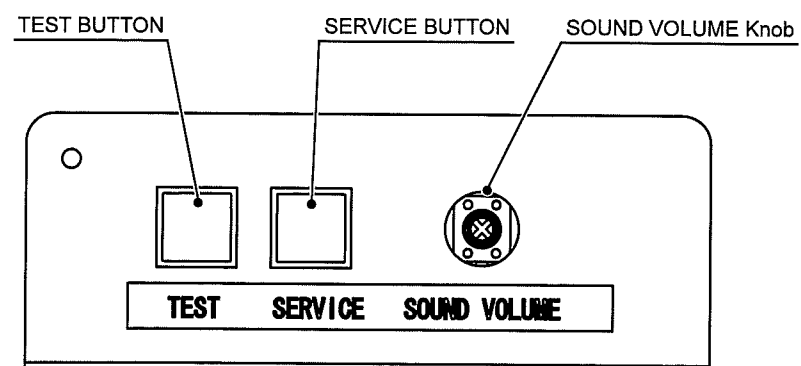
STOP IMPORTANT

- Adjust the sound to the optimum volume, taking into consideration the environmental requirements of the installation location.
- Removing the coin meter circuitry renders the game inoperable.
- When you enter the TEST MODE, fractional coin and bonus adder data is erased.

9-1 SWITCH UNIT

Open the coin chute door, and the switch unit shown will appear.
The function of each button is as listed below.

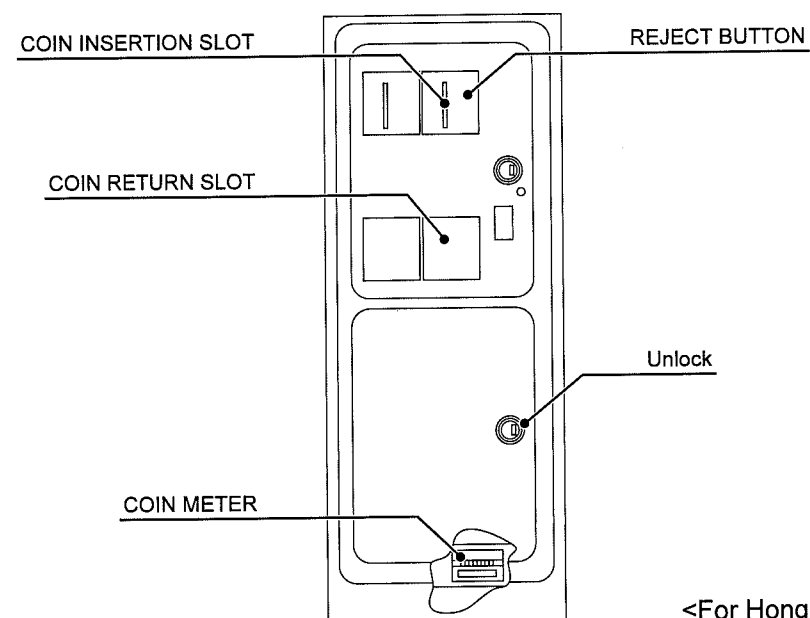
TEST Button (TEST)	Establishes TEST MODE. Becomes the button to confirm selections in TEST MODE.
SERVICE Button (SERVICE)	Makes it possible to enter credits for service without increasing the coin meter. Becomes the button to select items in TEST MODE.
SOUND VOLUME Knob (SOUND VOLUME)	Adjust the volume of speakers.



9-2 COIN METER

After using a special-purpose key to unlock the cashbox door, the coin meter can be found at the bottom of the cashbox. The coin meter counts the number of coins inserted into the coin insertion slot.

NOTE: The type and figure depend on the area.



10 SYSTEM TEST MODE

STOP IMPORTANT

- The details of changes to TEST MODE settings are saved when you exit from TEST MODE by selecting EXIT from the SYSTEM TEST MODE menu. Be careful because if the power is turned off before that point, changes to the settings will be lost.
- Use with the specified settings. If settings other than those specified are used, inappropriate operations or malfunction may occur.

In the SYSTEM TEST MODE, the main activities include checking RINGEDGE information and actions and the setting of coin/credit. For details, refer to the RINGEDGE Service Manual, which is provided with the product. Press the TEST Button to enter TEST MODE and bring up the SYSTEM TEST MENU screen.

Use the following settings with this product. If the settings are not as specified, error messages may appear and the product may not operate as intended.

10

COIN ASSIGNMENTS

COIN CHUTE TYPE	COMMON
SERVICE TYPE	COMMON

NETWORK SETTING

DHCP	ENABLE
------	--------

11 GAME TEST MODE

STOP IMPORTANT

- To change settings in the GAME TEST MODE, simply making changes on the setting screen will not be effective. Complete the TEST MODE in normal fashion.
- Use with the specified settings. If settings other than those specified are used, inappropriate operations or malfunction may occur.

11-1 GAME TEST MENU

Press the TEST Button to enter TEST MODE and bring up the SYSTEM TEST MENU screen. SERVICE Button to select "GAME TEST MODE," then press the TEST Button to bring up the GAME TEST MENU screen.

GAME TEST MENU	
BOOKKEEPING	
INPUT TEST	
OUTPUT TEST	
GAME ASSIGNMENTS	
MONITOR CALIBRATION SETTING	
CONT CALIBRATION SETTING	
COMPRESSOR MAINTENANCE	
BACKUP DATA CLEAR	
>EXIT	
SELECT WITH SERVICE BUTTON AND PRESS TEST BUTTON	

11

GAME TEST MENU screen

Controls

- Press the SERVICE Button to select menu item.
- Press the TEST Button to confirm the selected item.
- Select EXIT and press the TEST Button to return to the SYSTEM TEST MENU screen.

Menu Items

BOOKKEEPING	Displays all recorded game data.
INPUT TEST	Tests each input device used for the game.
OUTPUT TEST	Tests each output device used for the game.
GAME ASSIGNMENTS	Adjusts all game settings.
MONITOR CALIBRATION SETTING	Adjusts monitor settings.
CONT CALIBRATION SETTING	Calibrates controllers.
COMPRESSOR MAINTENANCE	Checks compressor maintenance.
BACK UP DATA CLEAR	Erases all types of game records.

11-2 BOOKKEEPING

Each game record can be viewed.

BOOKKEEPING		1/3
COIN1	*	
COIN2	*	
TOTAL COINS	*	
COIN CREDITS	*	
SERVICE CREDITS	*	
TOTAL CREDITS	*	
PRESS TEST BUTTON TO CONTINUE		

BOOKKEEPING 1/3 screen

Controls

Press the TEST Button to move to BOOKKEEPING 2/3 screen.

Menu Items

COIN 1/COIN 2	Number of coins inserted into COIN 1/COIN 2.
TOTAL COINS	Total number of coins inserted into COIN 1 and COIN 2.
COIN CREDITS	Number of credits for coins inserted.
SERVICE CREDITS	Number of credits entered with the SERVICE Button.
TOTAL CREDITS	Total number of all credits.

BOOKKEEPING		2/3
TOTAL TIME	* D ** H ** M ** S	
PLAY TIME	* D ** H ** M ** S	
PLAY TIME 1P	* D ** H ** M ** S	
PLAY TIME 2P	* D ** H ** M ** S	
NUMNER OF GAMES	*	
NUMBER OF GAME START 1P	*	
NUMBER OF GAME START 2P	*	
NUMBER OF CONTINUE 1P	*	
NUMBER OF CONTINUE 2P	*	
NUMBER OF SINGLE PLAY	*	
AVERAGE GAME TIME	** H ** M ** S	
AVERAGE PLAY TIME	** H ** M ** S	
LONGEST PLAY TIME	** H ** M ** S	
SHORTEST PLAY TIME	** H ** M ** S	
PRESS TEST BUTTON TO CONTINUE		

BOOKKEEPING 2/3 screen

Controls

Press the TEST Button to move to BOOKKEEPING 3/3 screen.

Menu Items

TOTAL TIME	The cabinet's total operating time.
PLAY TIME	The cabinet's total play time.
PLAY TIME 1P/2P	Total play time for 1P/2P.
NUMBER OF GAMES	Total number of games played for 1P and 2P.
NUMBER OF GAME START 1P/2P	Number of games started for 1P/2P.
NUMBER OF CONTINUE 1P/2P	Number of continues for 1P/2P.
NUMBER OF SINGLE PLAY	Number of games played from start to finish with 1 player.
AVERAGE GAME TIME	Average gameplay time per game.
AVERAGE PLAY TIME	Average play time per game, including time used to display warnings, hints, etc.
LONGEST PLAY TIME	Longest play time recorded for a game, including time used to display warnings, hints, etc
SHORTEST PLAY TIME	Shortest play time recorded for a game, including time used to display warnings, hints, etc.

BOOKKEEPING		3/3	
TIME HISTOGRAM			
00 - 01 min	*	14 - 15 min	*
01 - 02 min	*	15 - 16 min	*
02 - 03 min	*	16 - 17 min	*
03 - 04 min	*	17 - 18 min	*
04 - 05 min	*	18 - 19 min	*
05 - 06 min	*	Over19 min	*
06 - 07 min	*		
07 - 08 min	*		
08 - 09 min	*		
09 - 10 min	*		
11 - 12 min	*		
12 - 13 min	*		
13 - 14 min	*		

PRESS TEST BUTTON TO EXIT

BOOKKEEPING 3/3 screen

11

Controls

Press the TEST Button to return to the GAME TEST MENU screen.

Menu Items

This displays a distribution of credit consumption and time played. Based on 1 minute intervals from 0 minutes through 19 minutes, this displays the amount of time used per game and the number of credits consumed. If a game lasts even longer, it will be included in the "OVER19 min" play time.

11-3 INPUT TEST

Select INPUT TEST to display the following screen and check the status of input devices. This test should be used periodically to check that each input device is functioning correctly.

INPUT TEST	
1P CONT X	*
1P CONT Y	*
1P CONT TRIGGER_L	OFF
1P CONT TRIGGER_R	OFF
1P START BUTTON	OFF
2P CONT X	*
2P CONT Y	*
2P CONT TRIGGER_L	OFF
2P CONT TRIGGER_R	OFF
2P START BUTTON	OFF
3D/2D VISUAL CHANGE BUTTON	OFF
TEST	OFF
SERVICE	OFF
SW1	OFF
SW2	OFF

PRESS TEST AND SERVICE BUTTON TO EXIT

INPUT TEST screen

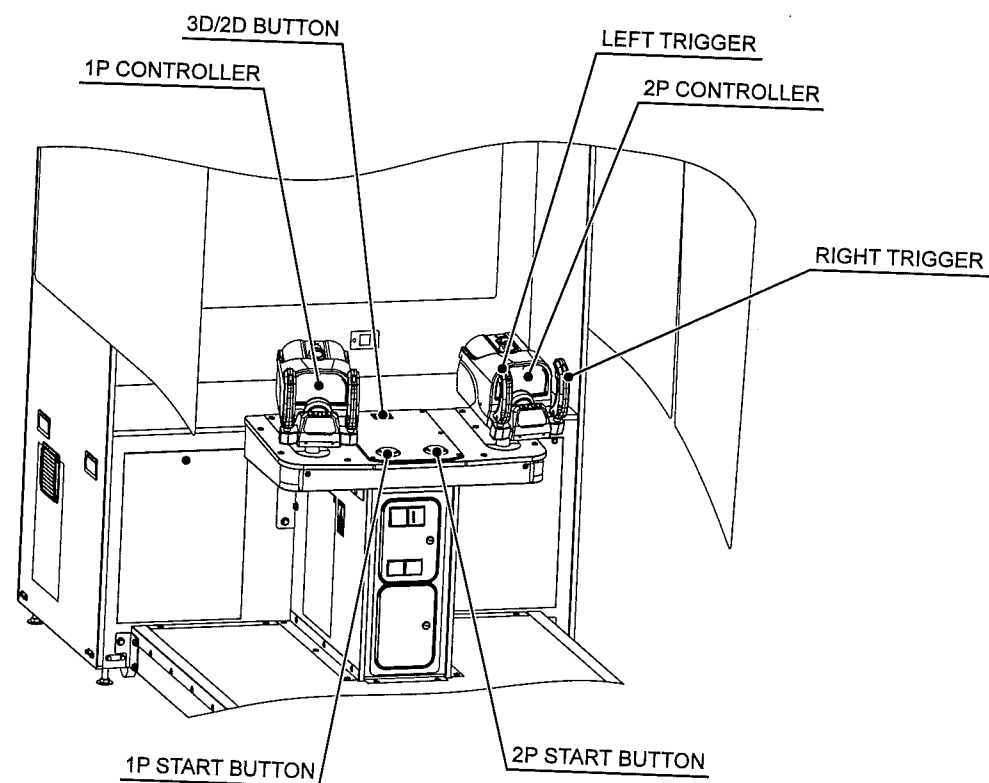
11

Controls

- Input devices are working correctly if the corresponding menu item switches from "OFF" to "ON" when the device is operated.
- Press the TEST Button and the SERVICE Button simultaneously to return to GAME TEST MENU screen.

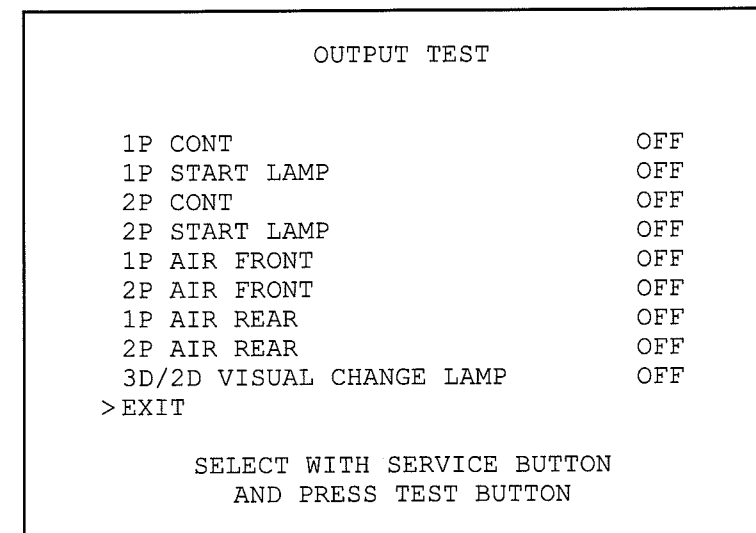
Menu Items

1P/2P CONT X	Normal if the displayed value changes accordingly when the 1P/2P controller is moved left and right. Pointing the controller to the right decreases the value, while pointing it to the left increases the value.
1P/2P CONT Y	Normal if the displayed value changes accordingly when the 1P/2P controller is moved up and down. Pointing the controller down decreases the value, while pointing it up increases the value.
1P/2P CONT TRIGGER_L	Normal if the display changes from "OFF" to "ON" when the left trigger on the 1P/2P controller is pulled.
1P /2PCONT TRIGGER_R	Normal if the display changes from "OFF" to "ON" when the right trigger on the 1P/2P controller is pulled.
1P/2P START BUTTON	Normal if the display changes from "OFF" to "ON" when the 1P/2P START button is pressed.
3D/2D VISUAL CHANGE BUTTON (3D/2D BUTTON)	Normal if the display changes from "OFF" to "ON" when the 3D/2D button is pressed.
TEST	Normal if the display changes from "OFF" to "ON" when the switch unit TEST Button is pressed.
SERVICE	Normal if the display changes from "OFF" to "ON" when the switch unit SERVICE Button is pressed.
SW1/SW2	Normal if the display changes from "OFF" to "ON" when the RINGEDGE TEST Button (SW1/SW2) is pressed. (See RINGEDGE Service Manual.)



11-4 OUTPUT TEST

This screen is for confirming the proper operation of each output device used by the game. Periodically use this screen to check the status of each output device.



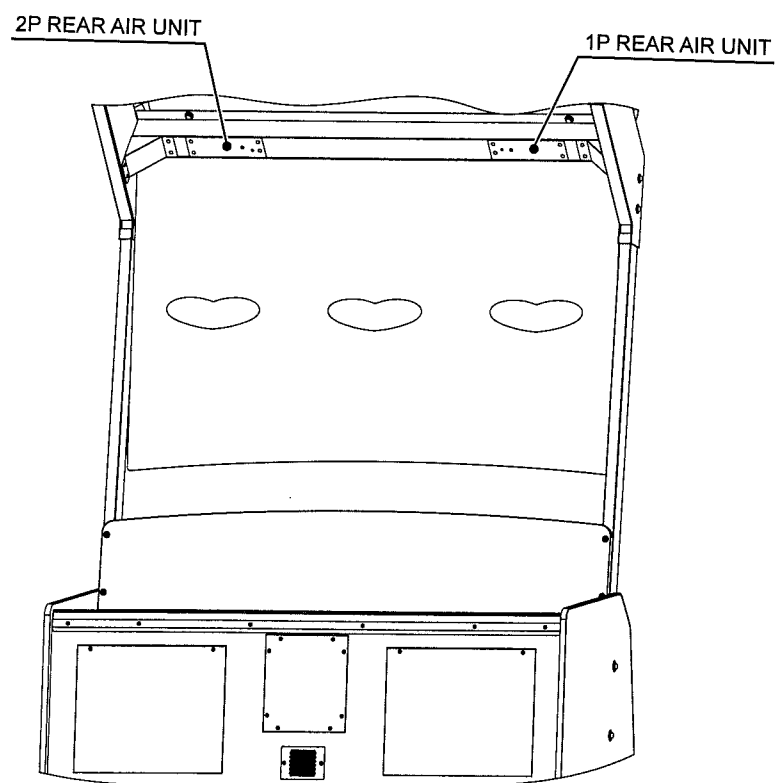
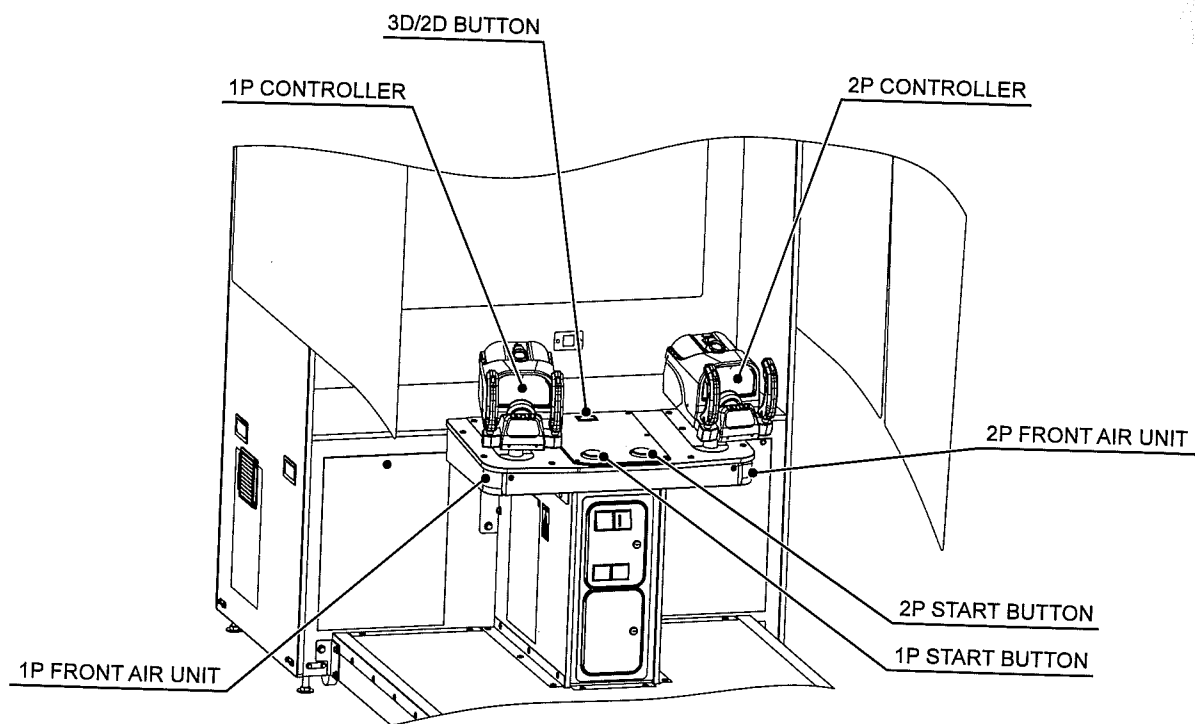
OUTPUT TEST screen

Controls

- Press the SERVICE Button to select menu item.
- Press the TEST Button to turn the selected item from "OFF" to "ON." The corresponding output device should activate or light up. Press the TEST Button a second time when the item is "ON" to turn it to "OFF" and deactivate or darken the device.
- Select EXIT and press the TEST Button to return to the GAME TEST MENU screen.

Menu Items

1P /2P CONT	Performs an operational check on the 1P/2P controller.	
	OFF	Controller motor is inactive.
	KNOCK	1P/2P controller motor is active and repeats a knocking motion.
	MOTOR	1P/2P controller motor is turned on and running.
1P/2P START LAMP	Normal if the 1P/2P START button lights up when "ON" and goes dark when "OFF."	
1P/2P AIR FRONT	Normal if air is injected in front of 1P/2P. <i>NOTE: Depending on your location, this product may not offer this feature.</i>	
1P/2P AIR REAR	Normal if air is injected behind 1P/2P. <i>NOTE: Depending on your location, this product may not offer this feature.</i>	
3D/2D VISUAL CHANGE LAMP	Normal if the 3D/2D button lights up when "ON" and goes dark when "OFF."	



11-5 GAME ASSIGNMENTS

All setting such as level of game difficulty or mode of the game are adjusted.

GAME ASSIGNMENTS	
GAME DIFFICULTY	NORMAL
LIFE SETTING	NORMAL
ADVERTISE SOUND	ON
AIR	ON
ADVERTISE AIR	ON
KIDS MODE	OFF
DRESS CODE	OFF
3D MODE	ON
STAGE1 SELECT	OFF
>EXIT	

SELECT WITH SERVICE BUTTON
AND PRESS TEST BUTTON

GAME ASSIGMENTS screen

Controls

- Press the SERVICE Button to select menu item.
- Press the TEST Button to change the value of the selected item.
- Select EXIT and press the TEST Button to return to the GAME TEST MENU screen.

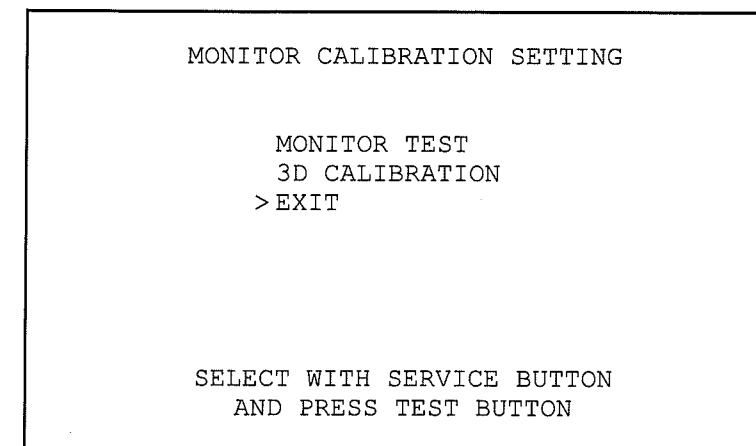
Menu Items

GAME DIFFICULTY	Sets the level of difficulty. (Default: NORMAL) There are 5 levels, ranging from "VERY EASY" to "VERY HARD."	
LIFE SETTING	Sets the number of the player's initial life. (Default: NORMAL) There are 5 levels, ranging from "VERY EASY" (high LIFE) to "VERY HARD" (low LIFE). <i>NOTE: This is an internal setting; the amount of LIFE shown onscreen at the start of the game is the same in all settings.</i>	
ADVERTISE SOUND	Turns sound ON/OFF in advertise mode. (Default: ON)	
	ON	Sound plays during advertise mode.
AIR	Turns air jets operation ON/OFF during gameplay. (Default: ON) <i>NOTE: Depending on your location, this product may not offer this feature. (Default: OFF) In such a case, always set this menu item to "OFF."</i>	
	ON	Air is injected during the game.
ADVERTISE AIR	Turns air jets operation ON/OFF in advertise mode. (Default: ON) <i>NOTE: Depending on your location, this product may not offer this feature. (Default: OFF) In such a case, always set this menu item to "OFF."</i>	
	ON	Air is injected during advertise mode.
KIDS MODE	Sets whether weapons are displayed in the game. (Default: OFF)	
	ON	Weapons are not displayed in the game or are replaced with other objects.
DRESS CODE	Sets the type of clothing worn by female characters in the game. (Default: OFF)	
	ON	Female characters always wear wet suits, limiting the amount of skin they expose.
3D MODE	Turns the display of 3D images ON/OFF during gameplay. (Default: ON)	
	ON	Images displayed on the screen will be in 3D.
STAGE1 SELECT *	Turns the stage selection option ON/OFF when the game begins. (Default: OFF)	
	ON	1 of 4 stages can be selected when the game begins.
	OFF	Play automatically starts from Stage 1 when the game begins. No stage selection is carried out.

* After Stage 1 is cleared, regardless of whether STAGE1 SELECT is set to "ON" or "OFF," the game is always set to allow players to choose their next stage from 1 of 3 options.

11-6 MONITOR CALIBRATION SETTING

This setting is for conducting monitor cross hatch tests and parallax adjustment tests.



MONITOR CALIBRATION SETTING screen

Controls

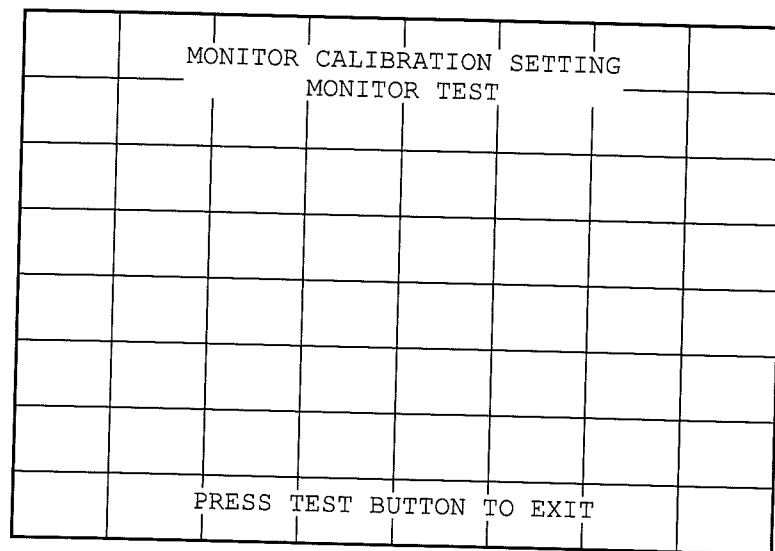
- Press the SERVICE Button to select menu item.
- Press the TEST Button to confirm the selected item.
- Select EXIT and press the TEST Button to return to the GAME TEST MENU screen.

Menu Items

MONITOR TEST	Proceeds to MONITOR TEST screen. Verifies MONITOR TEST screen output.
3D CALIBRATION	Proceeds to 3D CALIBRATION SETTING screen. Adjusts the 3D display. <i>NOTE: "3D CALIBRATION" cannot be selected if 3D MODE in GAME ASSIGNMENTS has been set to "OFF."</i>

11-6-1 MONITOR TEST

This option displays a screen for testing the monitor.
 Monitor adjustments are already completed when the product is shipped from the factory.



MONITOR TEST screen

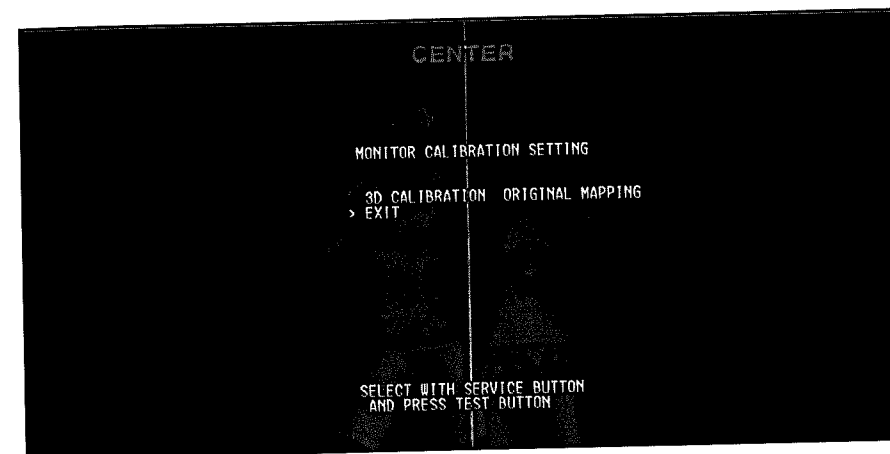
11

Controls

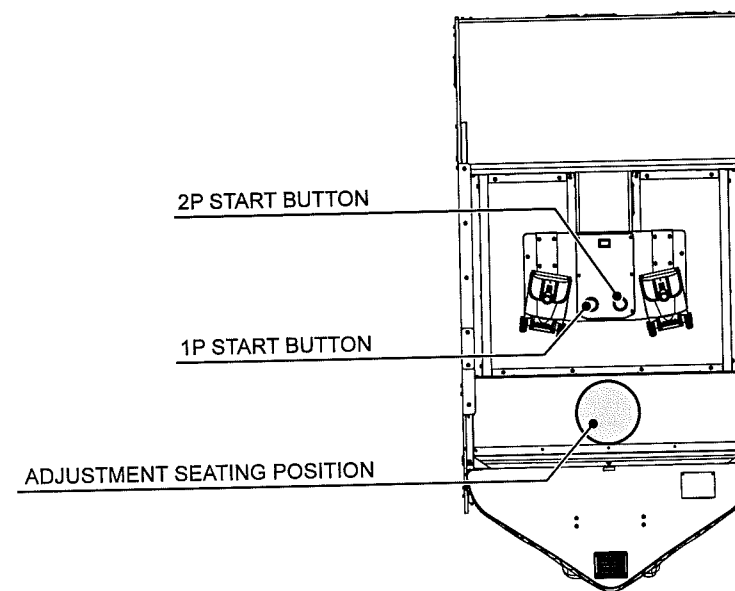
Press the TEST Button to return to the MONITOR CALIBRATION SETTING screen.

11-6-2 3D CALIBRATION

This setting is for establishing how players view the 3D monitor. While sitting in the adjustment seating position, find the position from which the line in the center of the screen is at the center of your field of vision. Then set the value that allows you to see the images most clearly.



3D CALIBRATION screen



11

Controls

- Press the SERVICE Button to select menu item.
- Press the TEST Button to confirm the selected item.
- After selecting "3D CALIBRATION" and pressing the TEST Button or 2P START button, the setting will move to the next value.
- After selecting "3D CALIBRATION" and pressing the 1P START button, the setting will return to the previous value.
- Select EXIT and press the TEST Button to return to the MONITOR CALIBRATION SETTING screen.

Menu Items

3D CALIBRATION	Adjusts the parallax barrier of the 3D monitor. There are 5 settings values: SHIFT-2, SHIFT-1, ORIGINAL MAPPING, SHIFT+1, and SHIFT+2. After SHIFT+2, the next value is SHIFT-2, and then SHIFT-1, and so on. (Default: ORIGINAL MAPPING)
----------------	---

11-7 CONT CALIBRATION SETTING

This setting is for calibrating controllers.

CONT CALIBRATION SETTING	
CALIBRATION START	
DEFAULT SETTING	
> EXIT	
SELECT WITH SERVICE BUTTON AND PRESS TEST BUTTON	

CONT CALIBRATION SETTING screen 1

Controls

- Press the SERVICE Button to select menu item.
- Press the TEST Button to confirm the selected item.
- Select EXIT and press the TEST Button to return to the GAME TEST MENU screen.

Menu Items

CALIBRATION START	<p>Proceeds to CONT CALIBRATION SETTING screen 2. Adjusts the 1P and 2P controllers.</p> <p><i>NOTE: After calibration, red and blue lines appear onscreen in addition to the text.</i></p> <ul style="list-style-type: none"> - The red lines represent the target position for the 1P controller under current settings. - The blue lines represent the target position for the 2P controller under current settings.
DEFAULT SETTING	<p>Resets controllers to default settings.</p> <p>When default settings have been restored, the screen displays "COMPLETED." Press the TEST Button to return to the CONT CALIBRATION SETTING screen.</p> <p><i>NOTE: When operating cabinets, be sure to calibrate each cabinet using the calibration screen. Do not use default settings.</i></p>

This setting is for adjusting the 1P and 2P controllers.

CONT CALIBRATION SETTING			
1P CONT X	*		
1P CONT Y	*		
2P CONT X	*		
2P CONT Y	*		
1P MIN_X	*	MAX_X	*
1P MIN_Y	*	MAX_Y	*
2P MIN_X	*	MAX_X	*
2P MIN_Y	*	MAX_Y	*
PULL TRIGGER AND ROTATE CONTROLLER TO CALIBRATION PRESS TEST BUTTON TO SET AND EXIT			

CONT CALIBRATION SETTING screen 2

Controls

- Pull the triggers on the 1P and 2P controllers and slowly move the controllers all the way up, down, left, and right. Repeat this several times and the calibration values automatically set themselves. Only the numeric values change during calibration. (Calibration will not occur if the controllers are moved without pulling the triggers.)
- Press the TEST Button to return to the CONT CALIBRATION SETTING screen.

Menu Items

1P/2P CONT X	X-axis value for the 1P/2P controller.
1P/2P CONT Y	Y-axis value for the 1P/2P controller.
1P/2P MIN_X, MAX_X	Minimum/Maximum X-axis values for the 1P/2P controller.
1P/2P MIN_Y, MAX_Y	Minimum/Maximum Y-axis values for the 1P/2P controller.

11-8 COMPRESSOR MAINTENANCE

NOTE: Depending on your location, this product may not offer this feature.

This option is for checking how much time remains before maintenance must be performed on the compressor or before the compressor must be replaced.

```

                                COMPRESSOR MAINTENANCE

MAINTENANCE TIMER RESET
  TIME TO NEXT MAINTENANCE          1500H 0M
REPLACEMENT TIMER RESET
  TIME TO REPLACE THE COMPRESSOR    8000H 0M
> EXIT

                                SELECT WITH SERVICE BUTTON
                                AND PRESS TEST BUTTON
  
```

COMPRESSOR MAINTENANCE screen 1

Controls

- Press the SERVICE Button to select menu item.
- Press the TEST Button to confirm the selected item.
- Select EXIT and press the TEST Button to return to the GAME TEST MENU screen.

Menu Items

MAINTENANCE TIMER RESET	Proceeds to COMPRESSOR MAINTENANCE screen 2. Resets how much time remains before maintenance must be performed on the compressor.
TIME TO NEXT MAINTENANCE	Displays how much time remains before maintenance must be performed on the compressor. If a compressor maintenance message appears, as shown in 20 "ERROR MESSAGES," carry out maintenance according to the message.
REPLACEMENT TIMER RESET	Proceeds to COMPRESSOR MAINTENANCE screen 2. ("REPLACEMENT TIMER RESET" will be displayed in the second line.) Resets how much time remains before the compressor must be replaced. When this is reset, "TIME TO NEXT MAINTENANCE" will be reset as well.
TIME TO REPLACE THE COMPRESSOR	Displays how much time remains before the compressor must be replaced. If a compressor replacement message appears, as shown in 20 "ERROR MESSAGES," replace the compressor according to the message.

This option is for resetting the time when maintenance must be performed on the compressor or the time when the compressor must be replaced.

```

                                COMPRESSOR MAINTENANCE

                                MAINTENANCE TIMER RESET

                                YES (RESET)
                                > NO (CANCEL)

                                SELECT WITH SERVICE BUTTON
                                AND PRESS TEST BUTTON
  
```

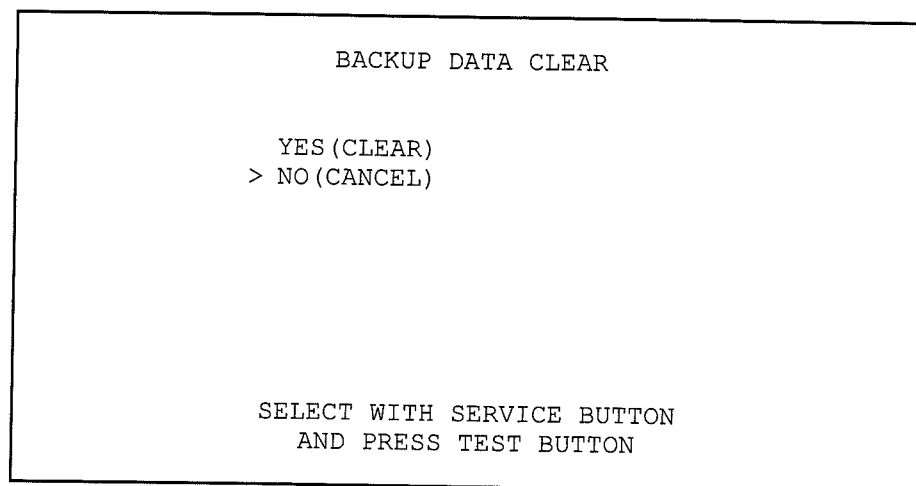
COMPRESSOR MAINTENANCE screen 2

Controls

- Press the SERVICE Button to select menu item.
- If you select "YES (RESET)" and press the TEST Button, the value will be reset and the word "COMPLETED" will appear. Press the TEST Button once more to return to the COMPRESSOR MAINTENANCE screen 1.
- If you select "NO (CANCEL)" and press the TEST Button, the value will not be reset and you will return to the COMPRESSOR MAINTENANCE screen 1.

11-9 BACKUP DATA CLEAR

This option is for deleting all of the data, credits, and rankings on the BOOKKEEPING screen.



BACKUP DATA CLEAR screen

Controls

- Press the SERVICE Button to select menu item.
- If you select "YES (CLEAR)" and press the TEST Button, all data, credits, and rankings will be deleted and the word "COMPLETED" will appear. Press the TEST Button once more to return to the GAME TEST MENU screen.
- If you select "NO (CANCEL)" and press the TEST Button, no information will be deleted and you will return to the GAME TEST MENU screen.

11

12 LCD**12-1 CAUTIONS REGARDING SAFE HANDLING OF LCD****⚠ WARNING****[Responding to breakdown or abnormality]**

- If you notice smoke or an odd smell, immediately unplug the power cable from the power plug. Continuing to use the product may cause a fire or an electric shock. After making sure the smoke has stopped, contact the point-of-purchase.
- If nothing displays on the screen, immediately unplug the power cable from the power plug. Continuing to use the product may cause a fire or an electric shock. Contact the point-of-purchase and request an inspection.
- If water or foreign objects get inside the monitor, immediately unplug the power cable from the power plug. Continuing to use the product may cause a fire or electric shock. Contact the point-of-purchase and request an inspection.
- If the monitor is dropped or the cabinet is damaged, immediately unplug the power cable from the power plug. Continuing to use the product may cause a fire or an electric shock. Contact the point-of-purchase and request an inspection.

[During operation]

- Do not attempt to repair, remodel, or disassemble the monitor. The monitor contains high-voltage parts and attempting the above actions may cause a fire or electric shock. Contact the point-of-purchase to request inspection, adjustment, or repair.
- Do not allow foreign objects to get inside the monitor. If metal or paper objects enter the monitor through the air vents, they may cause a fire, electric shock, or a short circuit.

⚠ CAUTION

- Do not tap or strike the surface of the LCD, as doing so may break the glass and cause injury. If the glass breaks and the liquid crystal leaks out, do not touch the liquid. The liquid can cause damage if it comes into contact with eyes or skin. Should the liquid crystal come into contact with eyes or skin, wash the affected area thoroughly with clean water and immediately consult a physician. If the liquid crystal comes into contact with clothing, immediately wash it off with clean water. If it comes into contact with any equipment other than this product, wipe it off without touching it directly.
- Make sure to perform appropriate adjustments. Do not operate the product when the screen is flickering, distorted, or experiencing other abnormalities. Images from an improperly adjusted screen could cause players and other customers to experience dizziness, headaches, and other ailments.

12

12-2 CLEANING THE LCD**STOP IMPORTANT**

- Remove smears by using a dry, soft cloth (flannels, etc.). Do not use a coarse gauze, etc.
- For smear removing solvent, alcohol (ethanol) is recommended. When using chemical detergent, be sure to follow instructions below:
 - Dilute chemical detergent with water and dip a soft cloth in and then thoroughly wring it to wipe smears off.
 - Do not use a chemical detergent containing an abradant, powder or bleaching agent.
 - Do not use alkaline chemical detergents such as "glass cleaner" available on the market or solvents such as thinner, etc.
- Do not rub or scratch the surface of the LCD with hard items such as brushes, scrub brush, etc.

12

Clean the LCD screen once a week.

12-3 ADJUSTING THE LCD**⚠ WARNING**

This work should be performed by site maintenance personnel or other skilled professionals. Work performed by non-technical personnel can cause a severe accident such as an electric shock.

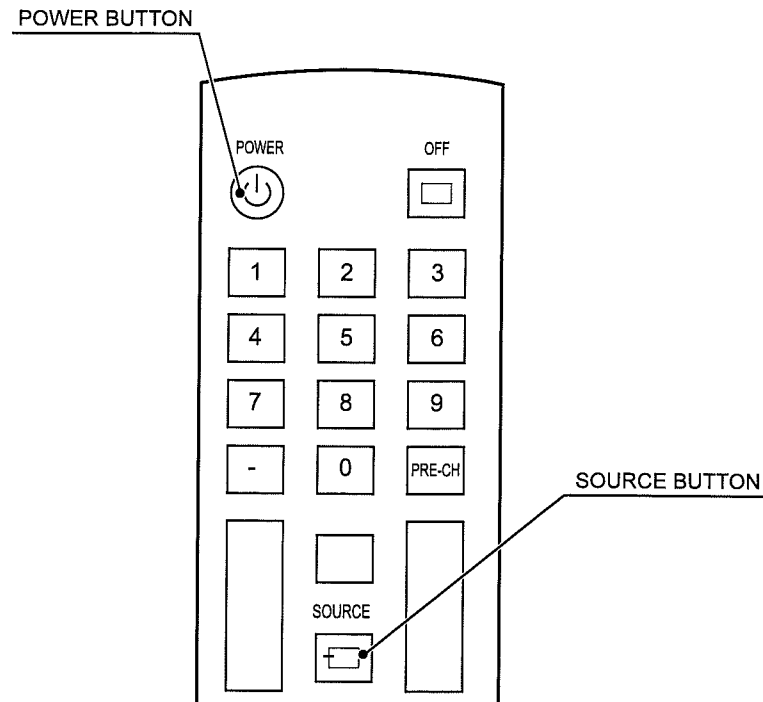
STOP IMPORTANT

All adjustment values are set accurately at the time of shipping from the factory. Do not readjust these values needlessly or apply adjustments not specified in this manual. The display may not appear properly if the values are incorrect.

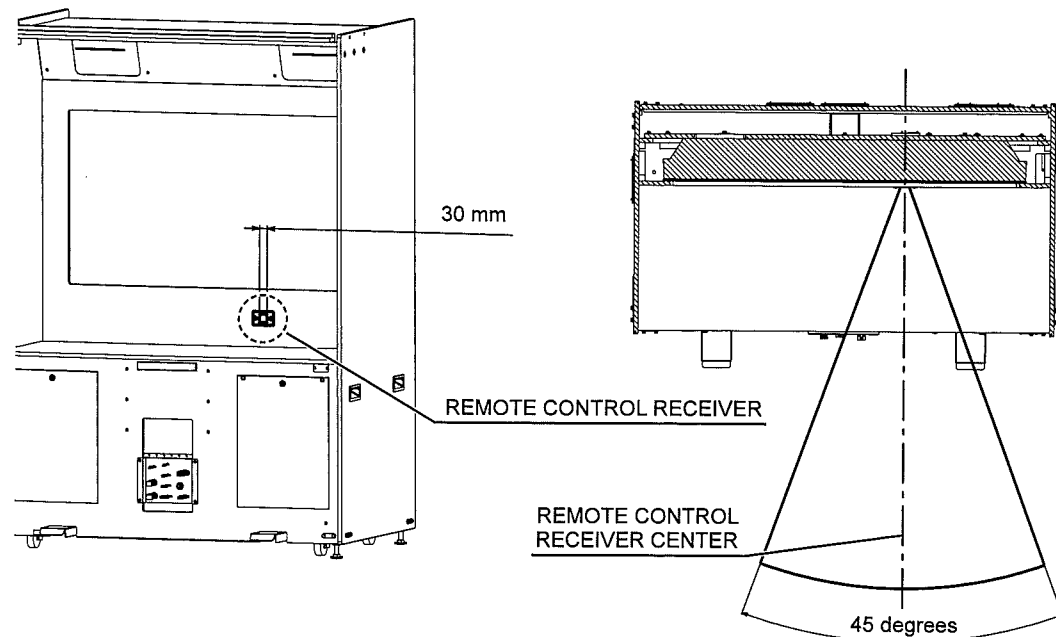
12

LCD ADJUSTMENT WITH THE REMOTE CONTROL

The LCD is already adjusted at the time of shipping from the factory, so there is no need to adjust it. However, if you turn on the power to the cabinet and no images appear on the LCD, use the included remote control (bundled with the LCD) to make the necessary adjustments.



12



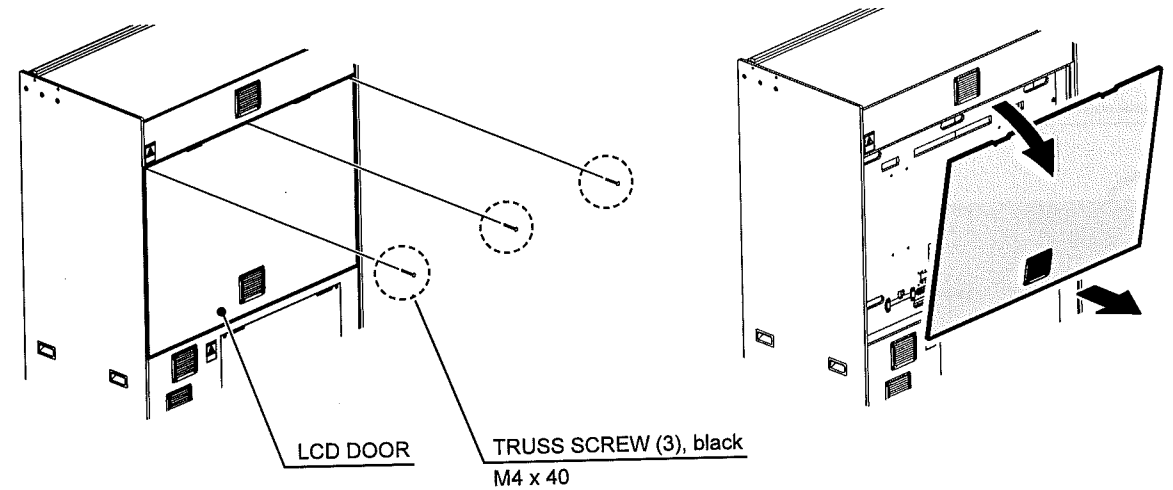
IF YOU NEED TO TURN ON THE POWER USING THE REMOTE CONTROL:

Point the remote control at the LCD and press the power button on the remote control to turn on the power.

IF THE POWER SWITCH ON THE LCD UNIT HAS BEEN TURNED OFF:

If the LCD does not respond after you press the power button on the remote control, the power switch on the LCD unit may be set to off.

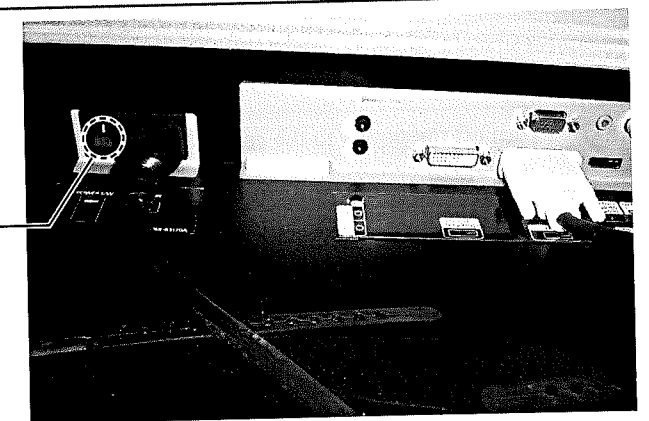
1 Using 2 or more workers, remove the 3 truss screws and take off the LCD door.



12

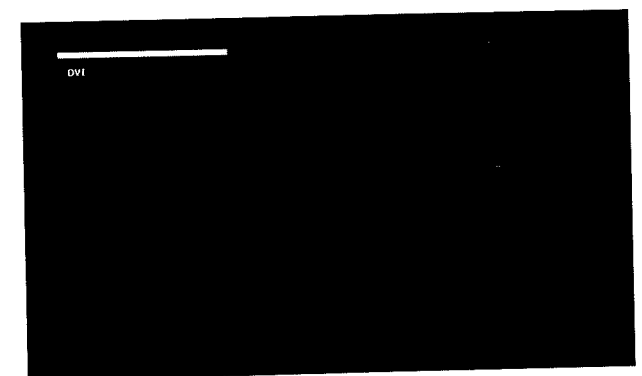
2 Ensure that the rocker switch on the lower back side of the LD is turned on. If it is turned off, switch it on.

ROCKER SWITCH



IF THE INPUT SETTING IS INCORRECT:

Point the remote control at the LCD and press the source button on the remote control to change the input to DVI.



12-4 REPLACING THE LCD

⚠ WARNING

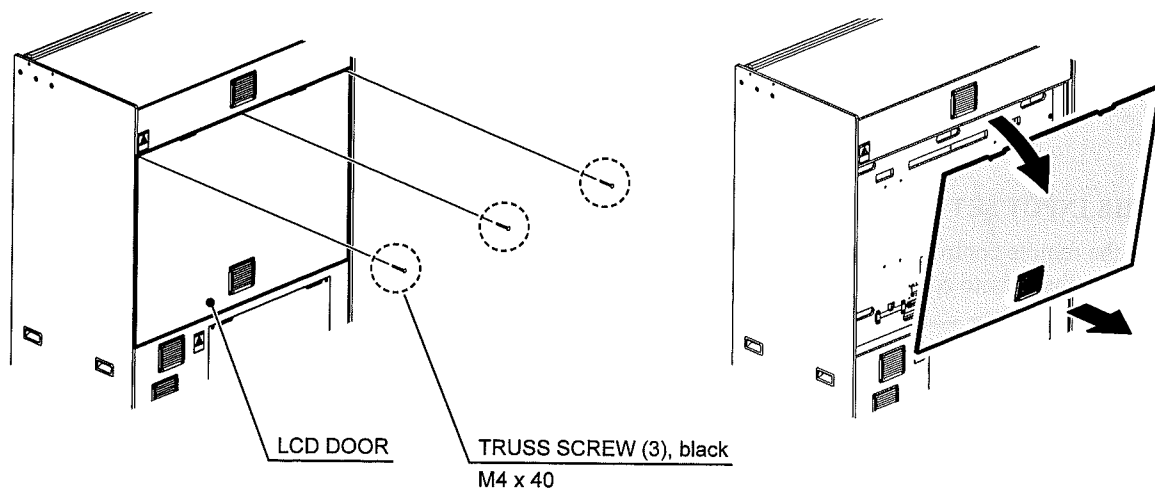
- When working with the product, be sure to turn the power off. Working with the power on may cause an electric shock or short circuit.
- Be careful not to damage the cables. Damaged cables may cause electric shock or short circuit.
- This work should be performed by site maintenance personnel or other skilled professionals. Work performed by non-technical personnel can cause a severe accident such as an electric shock.

STOP IMPORTANT

- Carry out this work in a wide open area.
- Use 3 or more workers when performing this task.

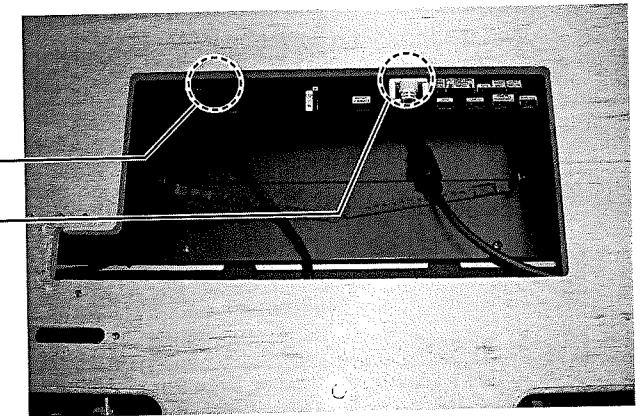
12

- 1 Spread out protective material measuring 1,500 mm by 1,000 mm or greater on the floor, or use the protective sheeting included in the packaging for a new LCD. When doing so, ensure that no screws or other types of protruding objects have fallen to the ground.
- 2 Turn off the power to the cabinet.
- 3 Using 2 or more workers, remove the 3 truss screws and take off the LCD door.

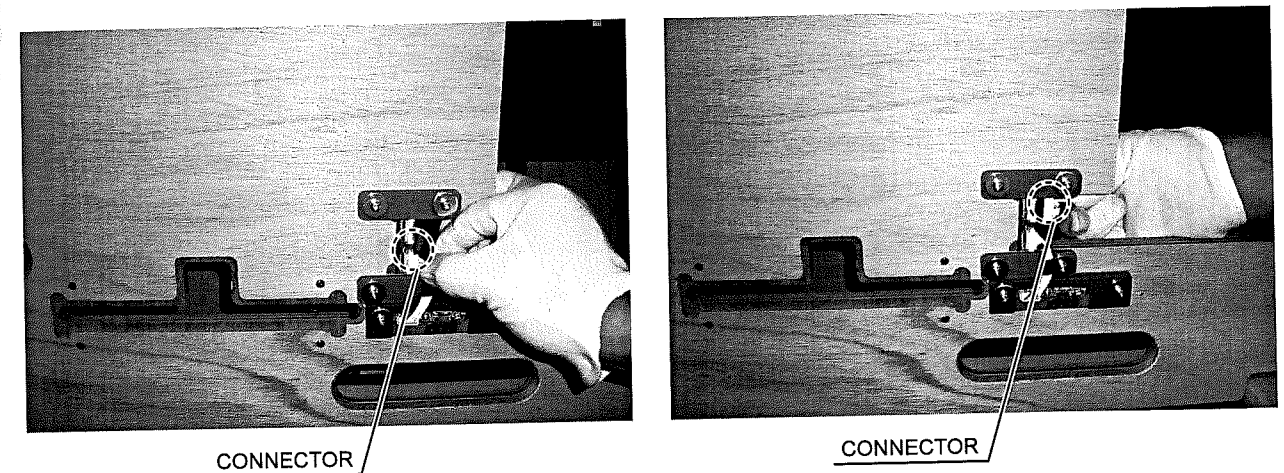


- 4 Remove the DVI cable and power cable.

POWER CABLE
DVI CABLE



- 5 Remove all of the connectors on the switch adjuster board and infrared receiver board.

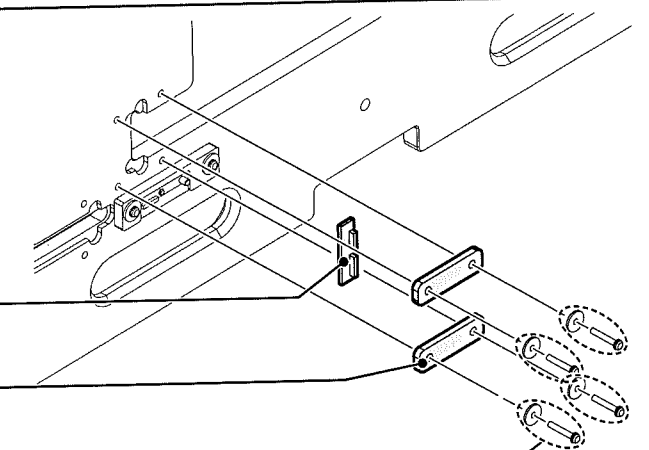


12

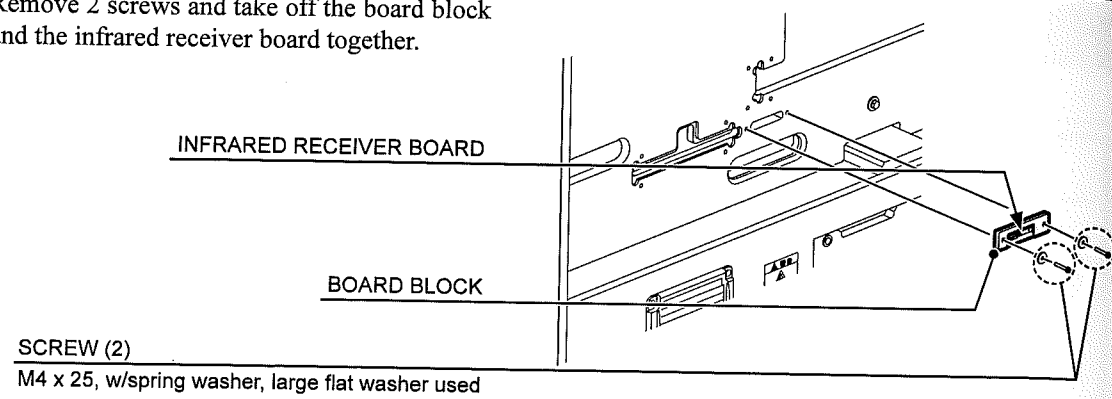
- 6 Remove the 2 screws and take off the 2 board stoppers and the switch adjuster board.

SWITCH ADJUSTER BOARD
BOARD STOPPER

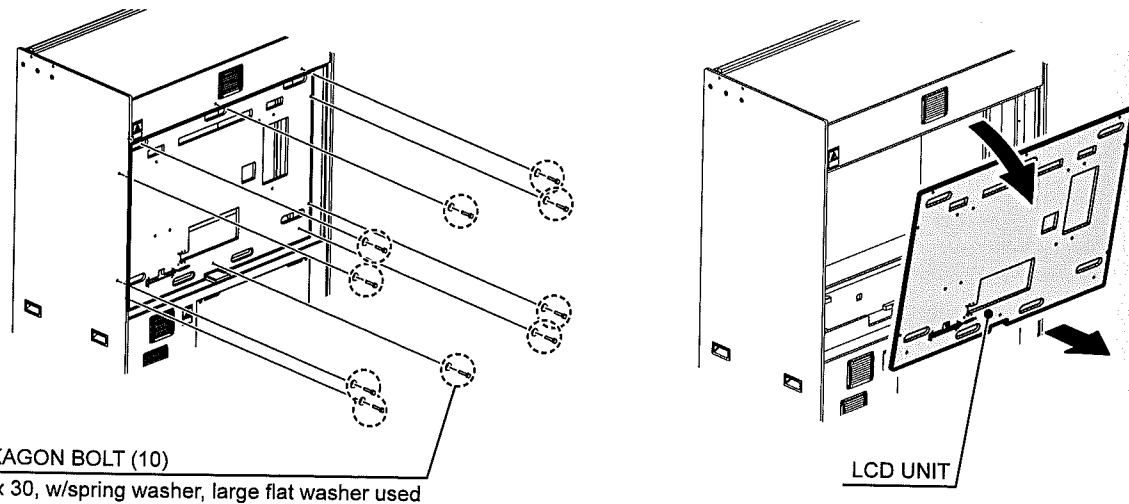
SCREW (2ea.)
M4 x 25, w/spring washer, large flat washer used



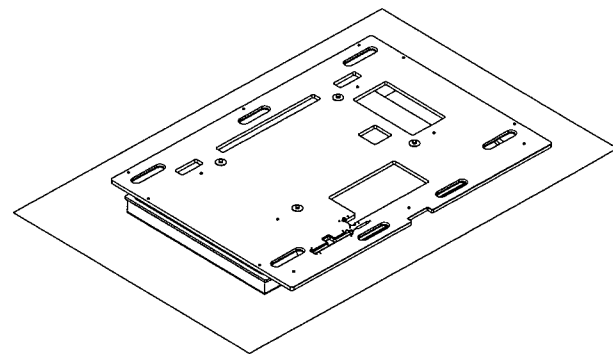
7 Remove 2 screws and take off the board block and the infrared receiver board together.



8 Using 3 or more workers, remove the 10 hexagon bolts and take off the LCD unit.

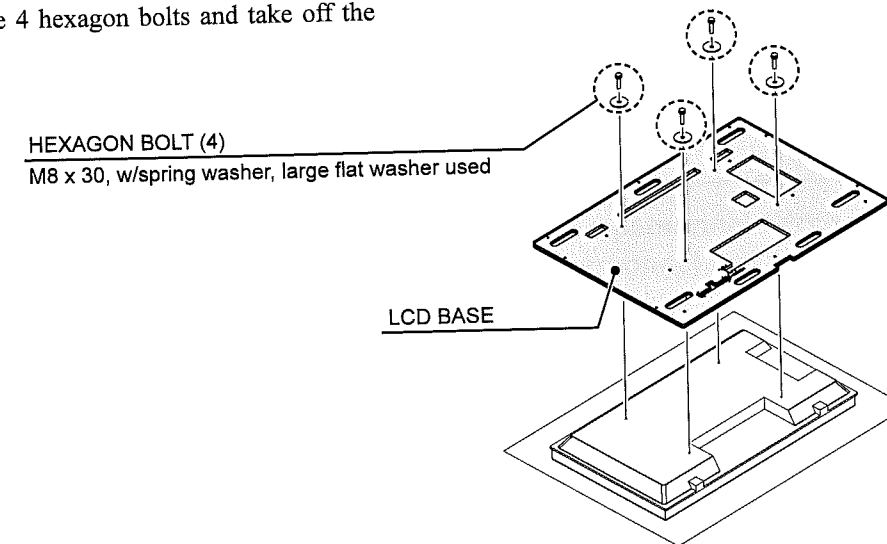


9 Place the LCD unit slowly on the protective material or protective sheeting spread out in Step 1 with its glass side facing down.



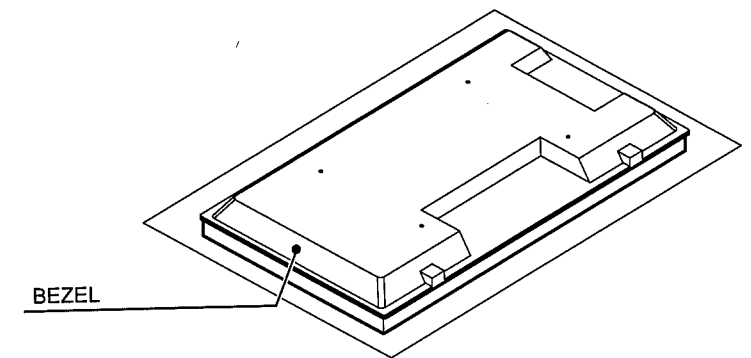
12

10 Remove the 4 hexagon bolts and take off the LCD base.



11 Turn over the removed LCD with its glass side facing up and move it away from the protective material.

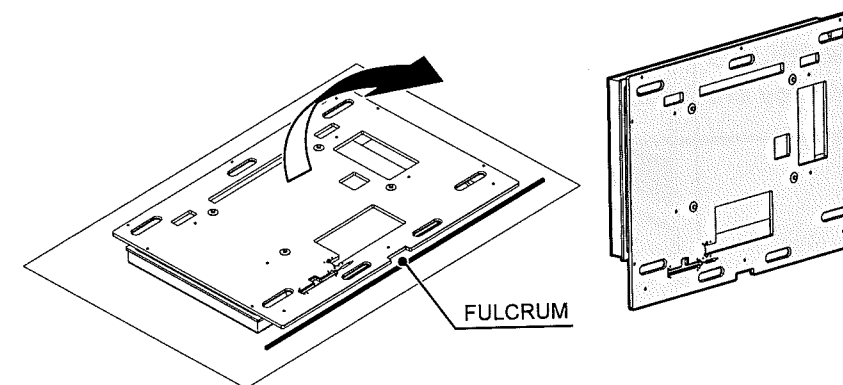
12 Remove the new LCD from the box and place it slowly on the protective material or protective sheeting with its bezel side facing down. Do not remove the bezel at this time.
NOTE: There are 2 adjuster boards attached with tape to the new LCD, but these will not be used. Peel away the tape and attach them to the removed LCD.



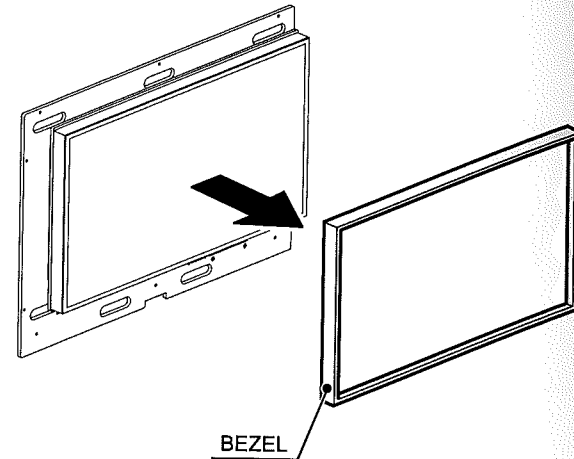
12

13 Remove the 4 screws already attached to the back of the LCD. Refer to Step 10 and work in reverse order to attach the LCD base to the new LCD.

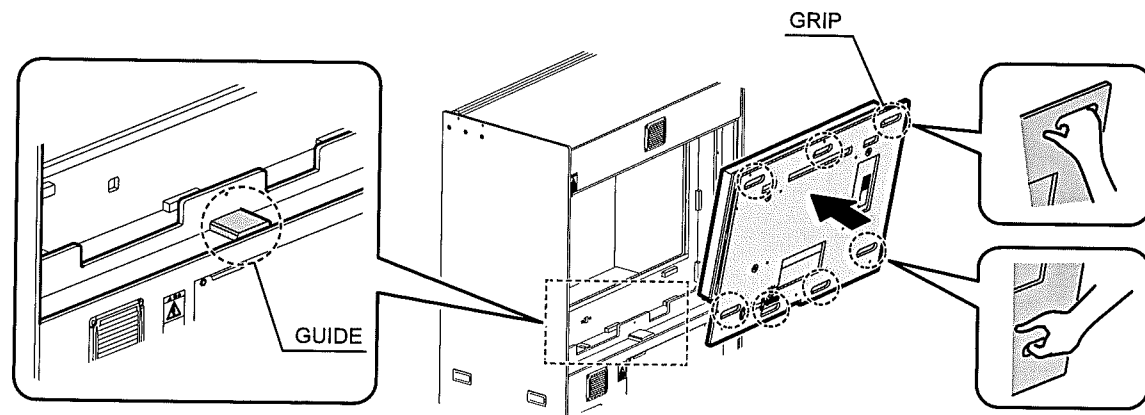
14 Raise up the LCD unit and stand it on the floor using the point shown in the figure as a fulcrum.



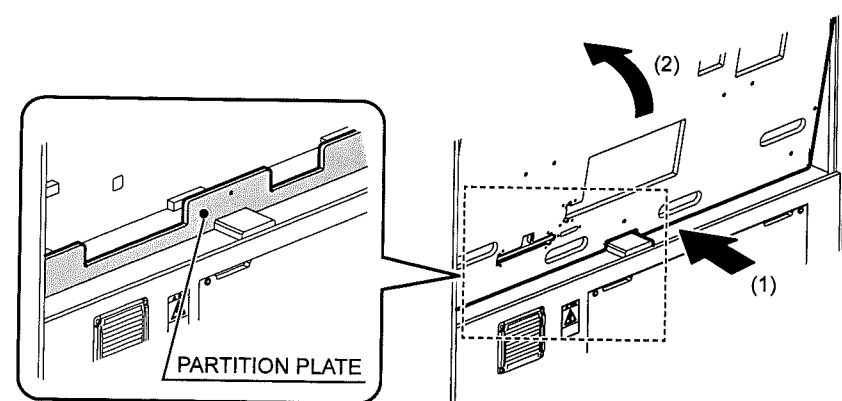
- 15** From the position described in Step 14, peel away the tape around the bezel and remove the bezel.
NOTE: After removing the bezel, attach it to the old LCD.



- 16** Holding the grips on the LCD base, lift it up and set it on the LCD cabinet so that it fits into the guide. Use 3 or more workers when performing this task.
NOTE: Pay attention to the direction your fingers are pointing so that they do not become jammed when you hold the grips.



- 17** Push the LCD base until its lower end comes up against the partition plate and then stand it up slowly.



- 18** Refer to Steps 2 through 8 and work in reverse order to attach the LCD unit.
NOTE: Pay attention to the direction in which you are attaching the switch adjuster board and infrared receiver board.

13 CONTROLLER

⚠ WARNING

- This work should be performed by site maintenance personnel or other skilled professionals. Work performed by non-technical personnel can cause a severe accident such as an electric shock.
- When working with the product, be sure to turn the power off. Working with the power on may cause an electric shock or short circuit.
- Exercise due caution in performing soldering procedures. If soldering iron is handled carelessly, there could be fires or burns.
- Proceed very carefully when heating thermal contraction tube. Careless operations can result in fires or burns.
- Be careful not to damage the cables. Damaged cables may cause electric shock or short circuit or present a risk of fire.
- Do not touch undesignated places. Touching places not designated can cause electric shock or short circuit.

⚠ CAUTION

- When fastening plastic parts, be careful not to tighten screws and nuts excessively. Otherwise parts may be damaged, resulting in injuries from fragments, etc.
- Be careful not to get hand or finger caught when removing or attaching the parts.
- Handle parts inside the controller very carefully. Be especially careful to avoid damage, deformation or loss of these parts. If any one of these parts is lost or defective, it can result in damages and/or faulty operations.

STOP IMPORTANT

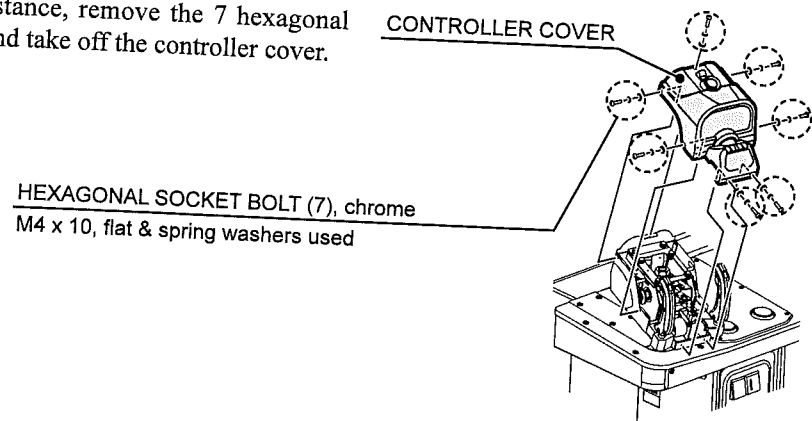
Be sure to perform volume's move value setting in the CONT CALIBRATION SETTING screen in the GAME TEST MODE after replacing or adjusting the volume. (See 11-7.)

13-1 TOP VOLUME

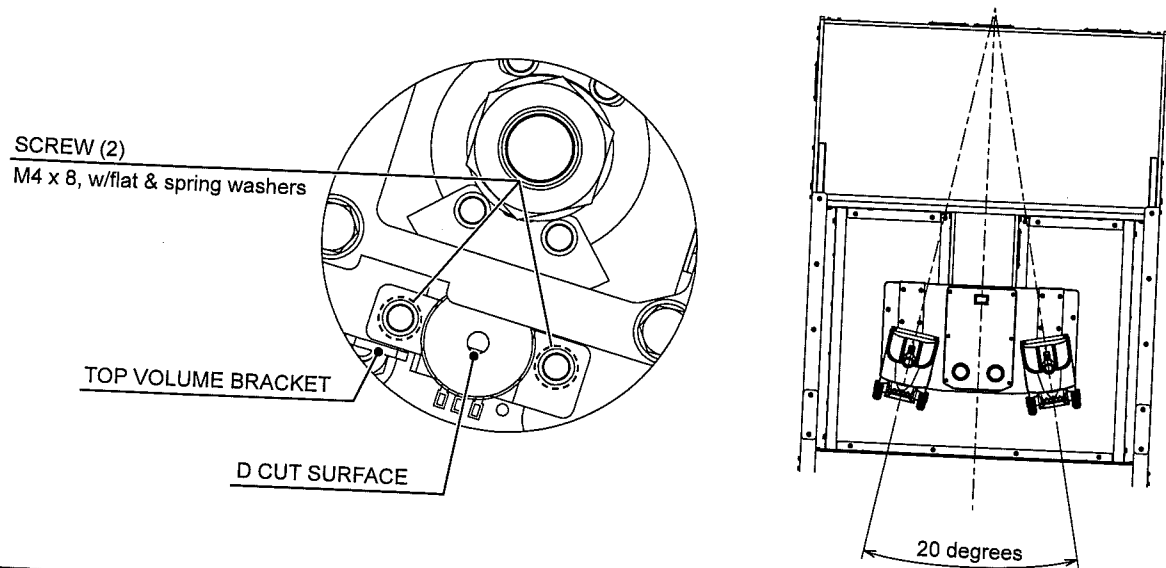
13-1-1 TOP VOLUME ADJUSTMENT

1 Turn off the power to the cabinet

2 Using an Allen wrench with 2.5 mm measuring distance, remove the 7 hexagonal socket bolts and take off the controller cover.



3 Loosen the 2 screws and move the top volume bracket to adjust the gear mesh angle and seating. Ensure that the D cut surface of the volume rotation axis is as shown in the below left figure when the controllers are positioned as shown in the right figure.



4 After adjusting, tighten the 2 screws.

5 Operate the controller and check to make sure the gears rotate smoothly.

6 Refer to Step 2 to attach the controller cover.

7 Turn on the power to the cabinet.

8 Set the volume value on the "CONT CALIBRATION SETTING" in GAME TEST MODE. The recommended top volume setting when the controllers are as shown in the above figure is "80H ± 8H." Check to make sure the value decreases when the controllers are pointed at the right side of the screen (hand on the left side) and increases when the controllers are pointed at the left side (hand on the right side). (See 11-7.)

13-1-2 TOP VOLUME REPLACEMENT

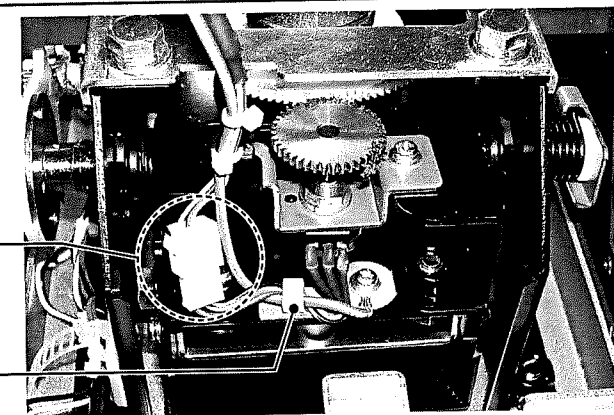
1 Turn off the power to the cabinet

2 Refer to Step 2 of 13-1-1 "TOP VOLUME ADJUSTMENT" and take off the controller cover.

3 Undo the 1 cord clamp and disconnect the 1 connector. Be careful not to damage the cables.

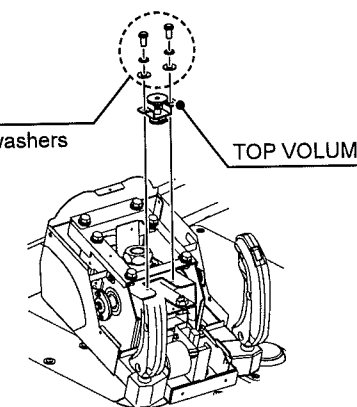
CONNECTOR (1)
SM4P

CORD CLAMP (1)

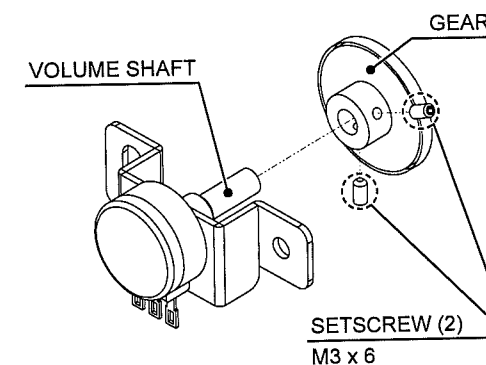


4 Remove the 2 screws and take off the top volume.

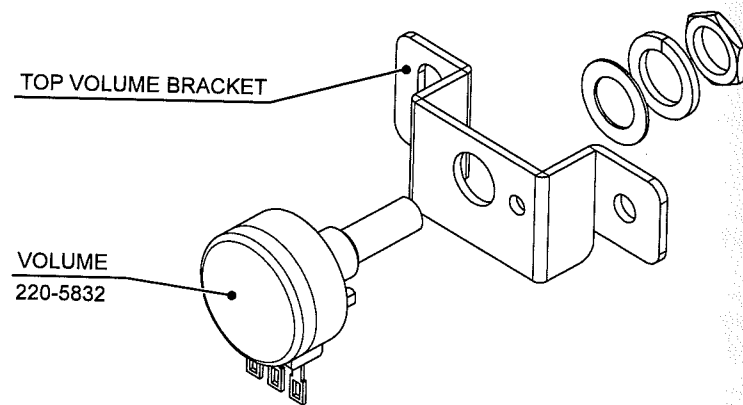
SCREW (2)
M4 x 8, w/flat & spring washers
TOP VOLUME



5 Remove the 2 setscrews and pull the gear off the volume shaft.

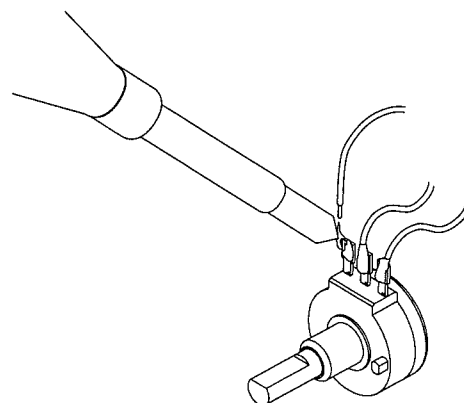


6 Remove the nut holding the top volume bracket in place and take the volume off the top volume bracket.



7 The cables connected to the volume will proceed to be used. Use a tool such as nippers or a cutter to remove the old heat-shrinkable tubes from the places where the cables are connected.

8 Use a soldering iron to melt the solder and separate the cables from the old volume. Be very careful when using the soldering iron.



9 If the exposed conductive cable at the end is less than 5 mm, use a tool such as a cable stripper or cutter to cut the coating back.

10 Pass the cables through the 3 heat-shrinkable tubes.

11 Solder the cables to the terminals on the new volume. Check the wiring diagram and be careful not to mix up the cables.

12 Cover the soldered parts with the heat-shrinkable tubes and apply heat with an industrial dryer until the heat-shrinkable tubes tightly cover the soldered parts.

13 Refer to Steps 3 through 6 and work in reverse order to attach the top volume and connect the connectors.

14 Refer to 13-1-1 "TOP VOLUME ADJUSTMENT" and adjust the top volume.

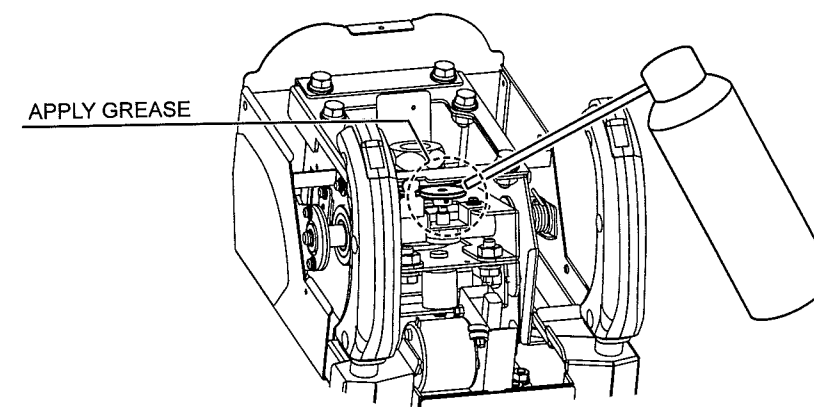
13-1-3 TOP VOLUME GREASING

STOP IMPORTANT

- Be sure to use the designated grease. Using undesignated grease can cause parts damage.
- Do not apply grease to locations other than as specified. Doing so may create a risk of operational problems and deterioration of parts.
- The designated periods for greasing serve only as a guide. Whenever there are squeaks or other anomalies, apply grease at designated locations.

Grease the parts listed below once every 3 months.
Use GREASE MATE (PART No. 090-0066) as spray grease.

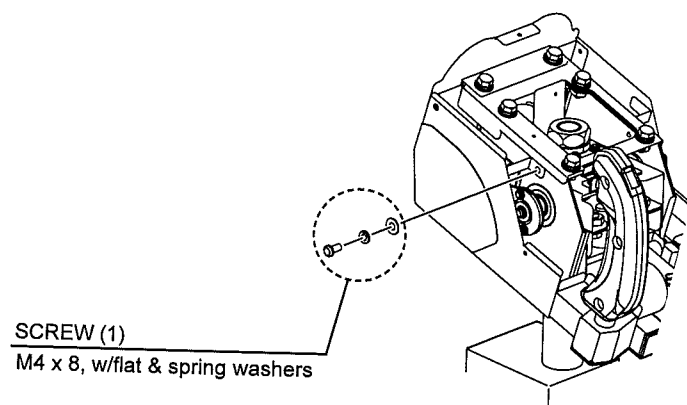
- 1 Turn off the power to the cabinet.
- 2 Refer to Step 2 of 13-1-1 "TOP VOLUME ADJUSTMENT" and take off the controller cover.
- 3 Grease the gear interface as shown in the figure.



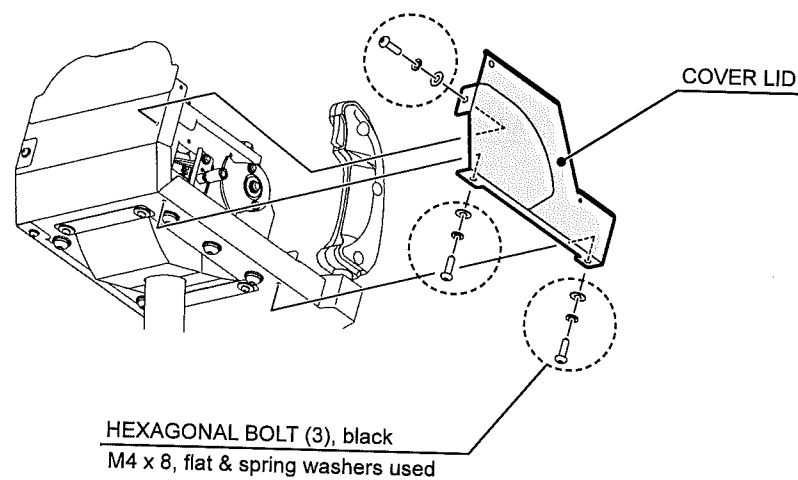
13-2 SIDE VOLUME

13-2-1 SIDE VOLUME ADJUSTMENT

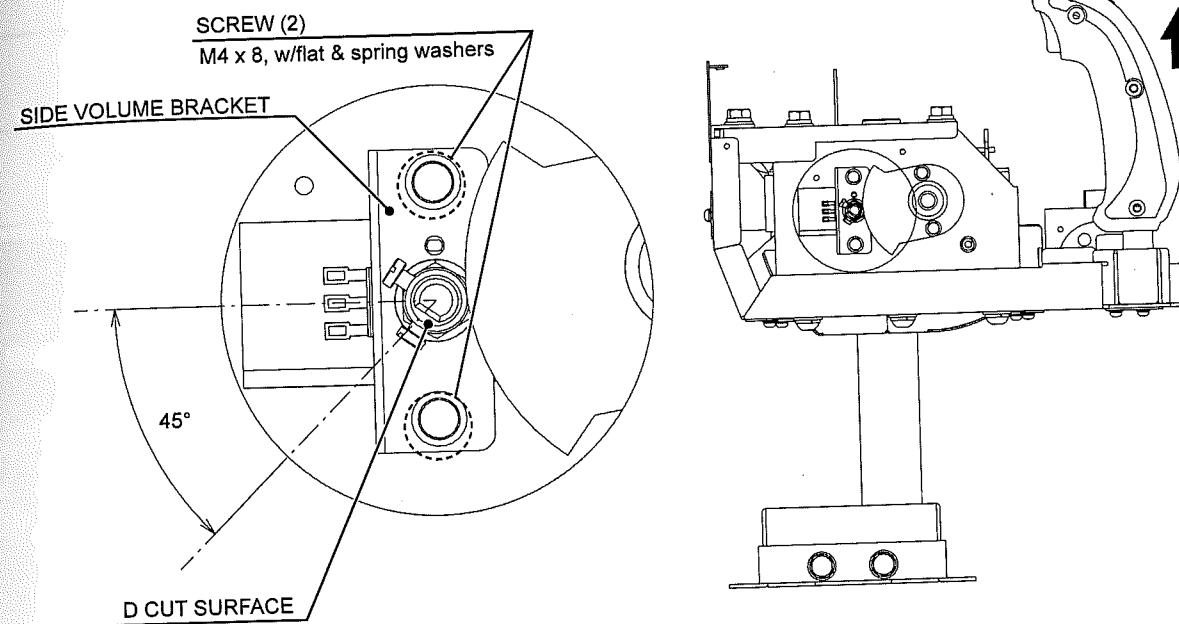
- 1 Turn off the power to the cabinet.
- 2 Refer to Step 2 of 13-1-1 "TOP VOLUME ADJUSTMENT" and take off the controller cover.
- 3 Remove the 1 screw.



- 4 Using an Allen wrench with 2.5 mm measuring distance, remove the 3 hexagonal socket bolts and take off the cover lid on the left side.



- 5 Loosen the 2 screws and move the side volume bracket to adjust the gear mesh angle and seating. Ensure the D cut surface of the volume control axis is as shown in the figure when the controller handles are raised and horizontally oriented.

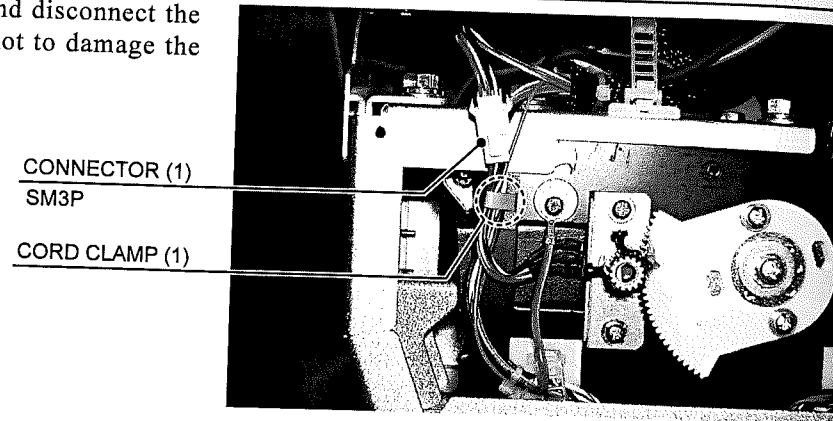


- 6 After adjusting, tighten the 2 screws.
- 7 Operate the controller and check to make sure the gears rotate smoothly.
- 8 Refer to Steps 2 through 4 and work in reverse order to attach the cover lid and the controller cover.
- 9 Turn on the power to the cabinet.
- 10 Set the volume value on the "CONT CALIBRATION SETTING" in GAME TEST MODE. The recommended side volume setting when the controllers are horizontally oriented is "50H ± 8H." Check to make sure the value decreases when the controllers are pointed at the bottom of the screen (hand on the top) and increases when the controllers are pointed at the top (hand on the bottom). (See 11-7.)

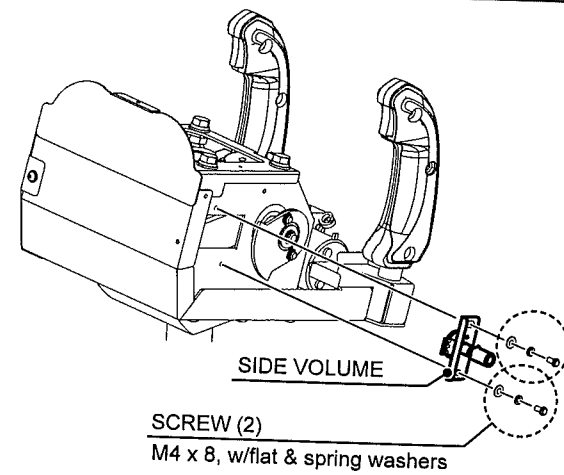
13-2-2 SIDE VOLUME REPLACEMENT

- 1 Turn off the power to the cabinet.
- 2 Refer to Step 2 of 13-1-1 "TOP VOLUME ADJUSTMENT" and take off the controller cover.
- 3 Refer to Step 3 and Step 4 of 13-2-1 "SIDE VOLUME ADJUSTMENT" and take off the cover lid.

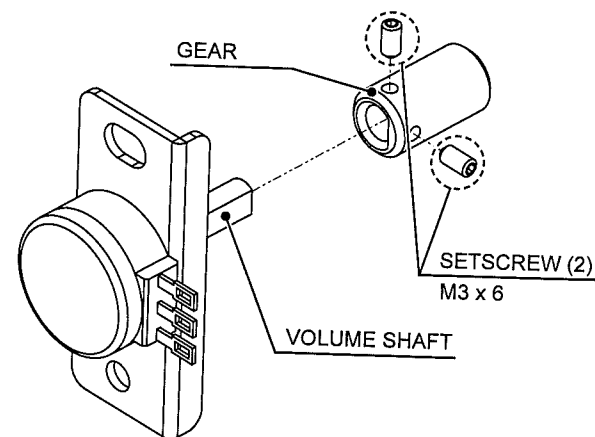
- 4 Undo the 1 cord clamp and disconnect the 1 connector. Be careful not to damage the cables.



- 5 Remove the 2 screws and take off the side volume.



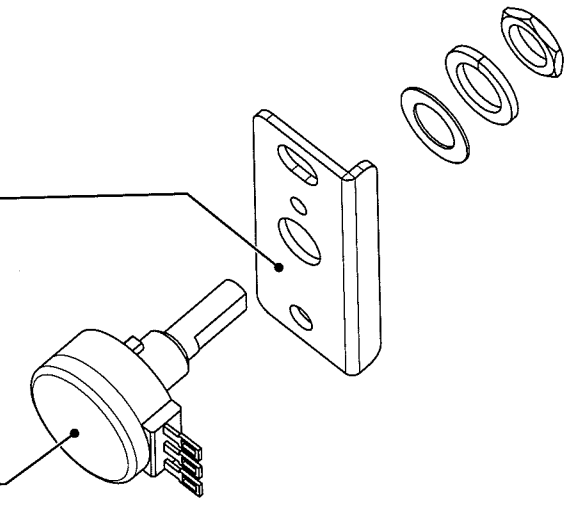
- 6 Remove the 2 setscrews and pull the gear off the volume shaft.



- 7 Remove the nut holding the side volume bracket in place and take the volume off the side volume bracket.

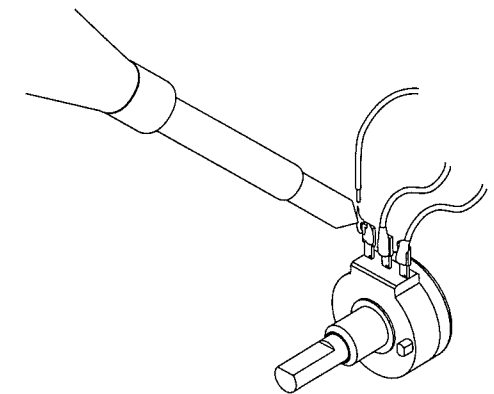
SIDE VOLUME BRACKET

VOLUME
220-5832



- 8 The cables connected to the volume will proceed to be used. Use a tool such as nippers or a cutter to remove the old heat-shrinkable tubes from the places where the cables are connected.

- 9 Use a soldering iron to melt the solder and separate the cables from the old volume. Be very careful when using the soldering iron.



- 10 If the exposed conductive cable at the end is less than 5 mm, use a tool such as a cable stripper or cutter to cut the coating back.

- 11 Pass the cables through the 3 heat-shrinkable tubes.

- 12 Solder the cables to the terminals on the new volume. Check the wiring diagram and be careful not to mix up the cables.

- 13 Cover the soldered parts with the heat-shrinkable tubes and apply heat with an industrial dryer until the heat-shrinkable tubes tightly cover the soldered parts.

- 14 Refer to Steps 4 through 7 and work in reverse order to attach the side volume and connect the connectors.

- 15 Refer to 13-2-1 "SIDE VOLUME ADJUSTMENT" and adjust the side volume.

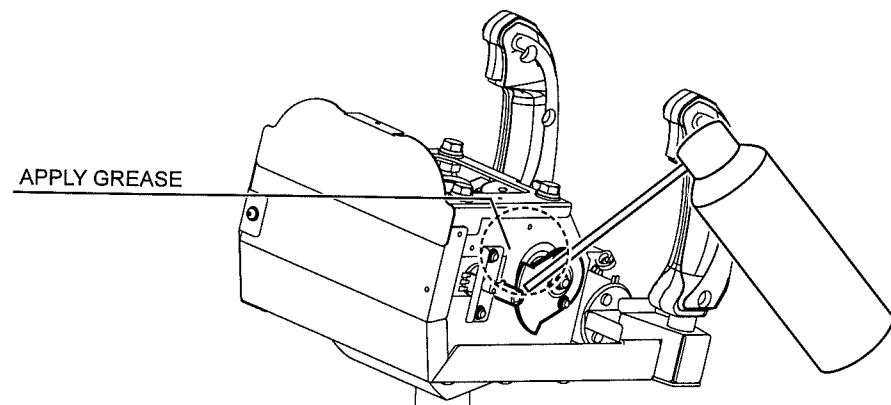
13-2-3 SIDE VOLUME GREASING

STOP IMPORTANT

- Be sure to use the designated grease. Using undesignated grease can cause parts damage.
- Do not apply grease to locations other than as specified. Doing so may create a risk of operational problems and deterioration of parts.
- The designated periods for greasing serve only as a guide. Whenever there are squeaks or other anomalies, apply grease at designated locations.

Grease the parts listed below once every 3 months.
Use GREASE MATE (PART No. 090-0066) as spray grease.

- 1 Turn off the power to the cabinet.
- 2 Refer to Steps 2 through 4 of 13-2-1 "SIDE VOLUME ADJUSTMENT" and take off the controller cover and the cover lid.
- 3 Grease the gear interface as shown in the figure.



14 COMPRESSOR

NOTE: Depending on your location, this product may not offer this feature.

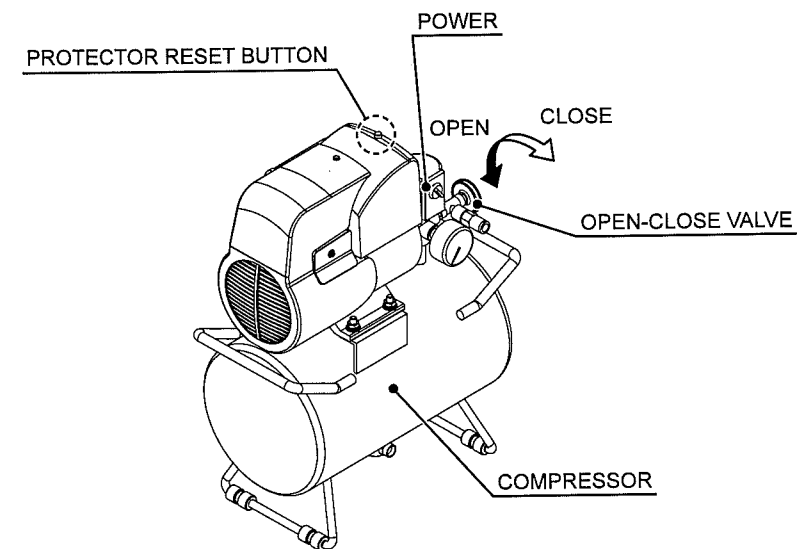
14-1 PRECAUTIONS REGARDING THE COMPRESSOR

⚠ WARNING

- When working with the product, be sure to turn the power off. Working with the power on may cause an electric shock or short circuit.
- Be careful not to damage the cables. Damaged cables may cause electric shock or short circuit.
- This work should be performed by site maintenance personnel or other skilled professionals. Work performed by non-technical personnel can cause a severe accident such as an electric shock.

⚠ CAUTION

When the compressor becomes hot, it may cause burns. Before performing maintenance near the compressor, wait at least 1 hour after the power has been turned off and ensure that it has cooled down sufficiently.

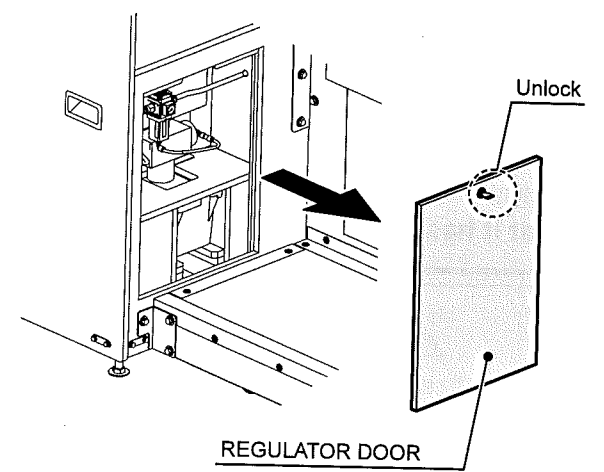


14-2 DRAINING THE COMPRESSOR DRAIN

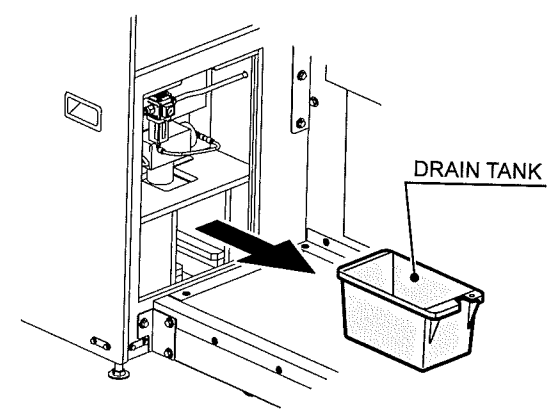
STOP IMPORTANT

Dispose of drain water on a daily basis. Failing to dispose of drain water properly will place a greater burden on the compressor and can lead to a breakdown. Drain water can be disposed of with sewage.

- 1 Turn off the power to the cabinet.
- 2 Wait approximately 2 minutes until all the pressurized air is released.
- 3 Unlock the regulator door with the master key and take it off.



- 4 Remove the drain tank and dispose of the drain water.



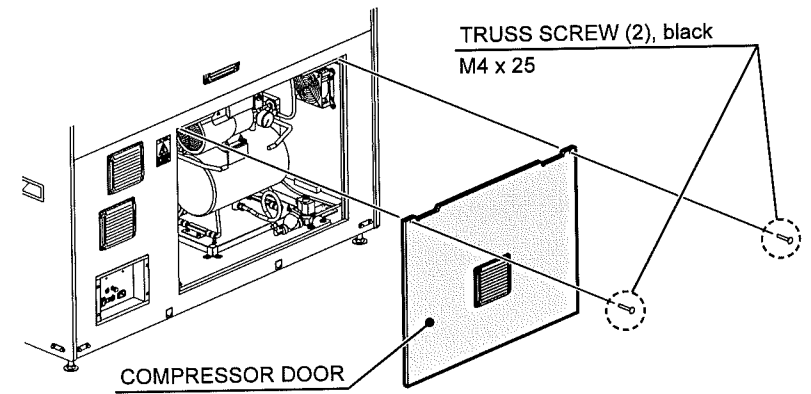
14

14-3 CHECKING THE COMPRESSOR FOR VIBRATION AND ODD SMELL

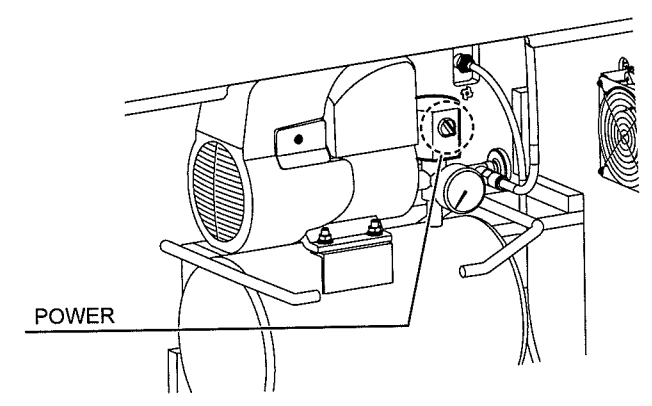
CAUTION
 Check for vibration and abnormal noise while the compressor door is shut. If the door is open while the compressor is running, this may cause burns or electric shock.

If there is an extreme amount of vibration or odd smell while the compressor is running, examine the compressor using the following procedures.

- 1 Turn off the power to the cabinet.
- 2 Wait approximately 2 minutes until all the pressurized air is released.
- 3 Remove the the 2 truss screws and take off the compressor door.



- 4 Turn off the power to the compressor.



- 5 Check if any of the bolts or nuts on the compressor are loose.

14

14-4 INSPECTING THE FILTER REGULATOR PRESSURE SETTING

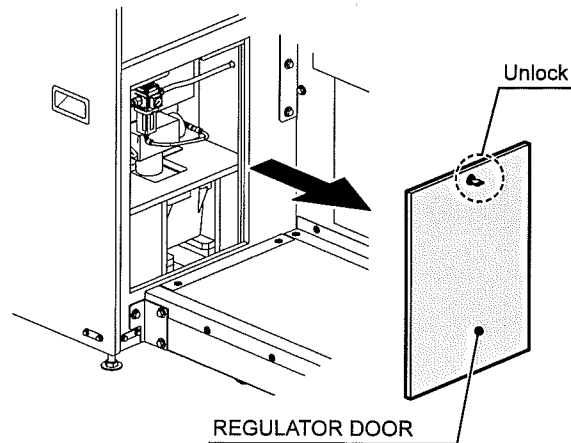
STOP IMPORTANT

The pressure setting is "0.4 MPa." Do not set a value higher than this. Doing so will affect the life of various devices. Never choose a higher value under any circumstances.

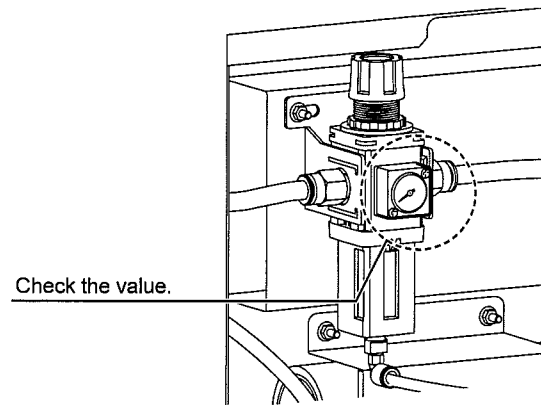
1 Turn on the power to the cabinet.

2 Wait approximately 3 minutes until the compressor stops producing operating noise.

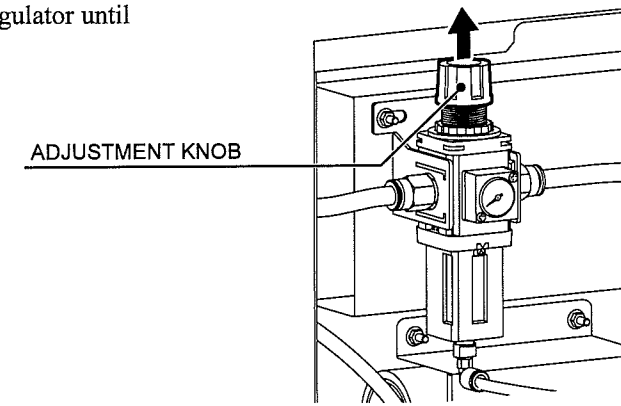
3 Unlock the regulator door with the master key and take it off.



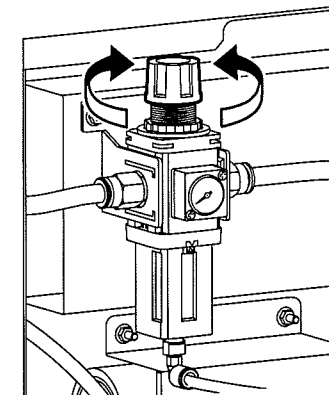
4 Check if the value on the regulator is at the pressure setting (0.4 MPa). If the value is different than the pressure setting, adjust it using the following procedures.



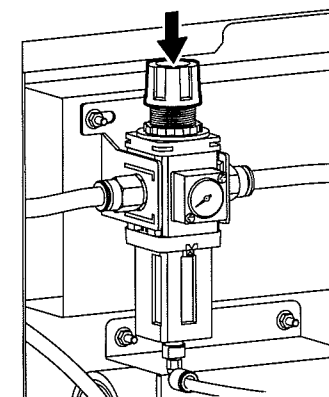
5 Pull the adjustment knob on the regulator until it clicks.



6 Turn the adjustment knob to adjust the pressure and set it to the correct value. Turn the knob right to raise the value or left to lower the value.

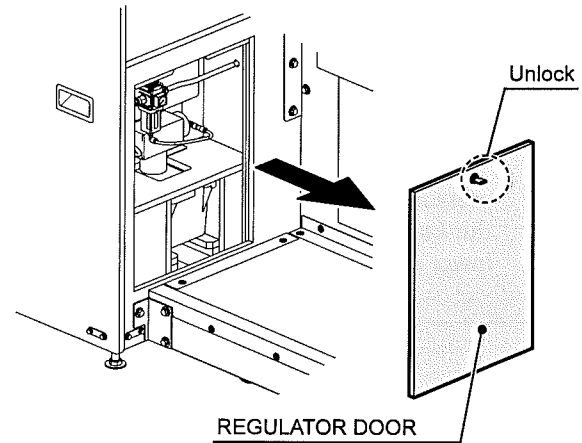


7 After you have set the value, press in the adjustment knob until it clicks.

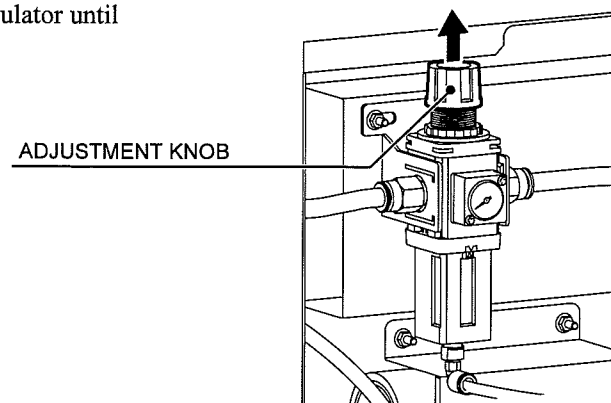


14-5 CHECKING THE COMPRESSOR OPERATION

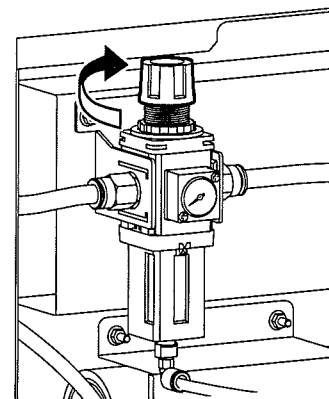
- 1 Turn on the power to the cabinet.
- 2 Wait approximately 3 minutes until the compressor stops producing operating noise.
- 3 Unlock the regulator door with the master key and take it off.



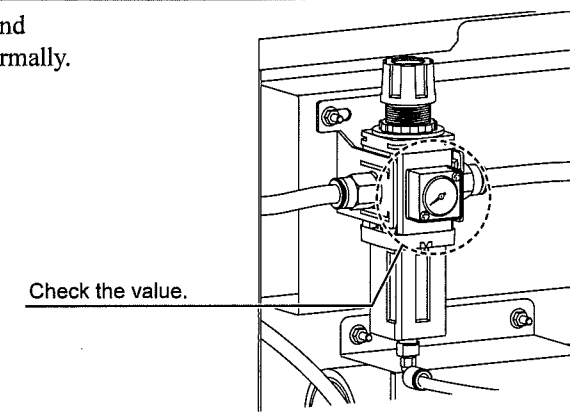
- 4 Pull the adjustment knob on the regulator until it clicks.



- 5 Turn the knob fully to the right.



- 6 If the regulator pressure is between 0.6 and 0.8 MPa, the compressor is functioning normally.



- 7 If the value is not in the range of 0.6 to 0.8 MPa or the compressor will not stop operating, turn off the power to the cabinet and the compressor and verify the following points.
 - Are the air tubes in the LCD cabinet connected properly?
 - Is the open-close valve on the compressor fully open?

NOTE: If there is nothing abnormal related to the points above but the compressor is still not functioning normally, immediately turn off the power to the cabinet and the compressor and contact the office listed in this manual.

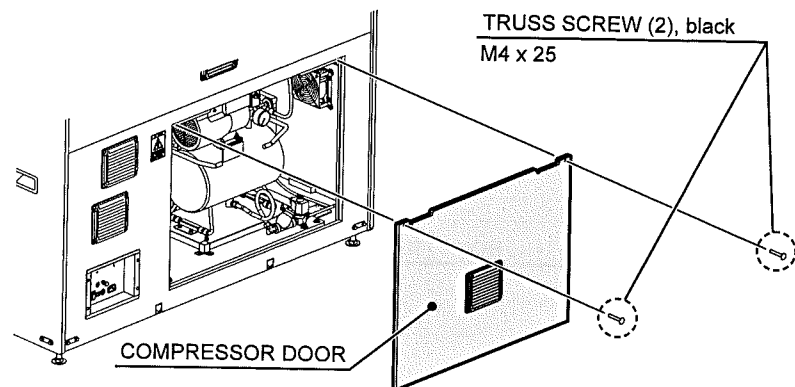
- 8 After checking the operation of the compressor, return the value to the pressure setting (0.4 MPa).

14-6 INSPECTING THE COMPRESSOR FILTER

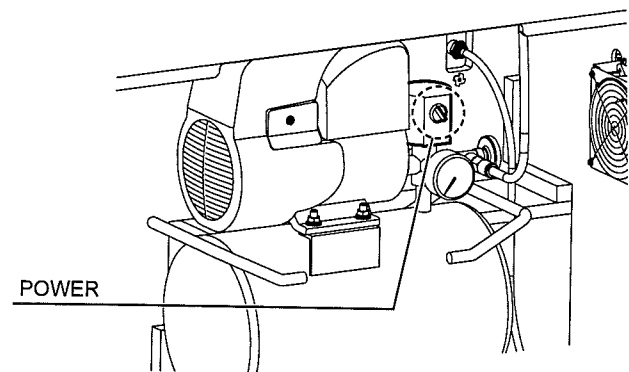
STOP IMPORTANT

Using the compressor filter while it is dirty may lead to clogging and cause the compressor to break down. Ensure that the filter is inspected at regular intervals. (See 17 "PERIODIC INSPECTION.")

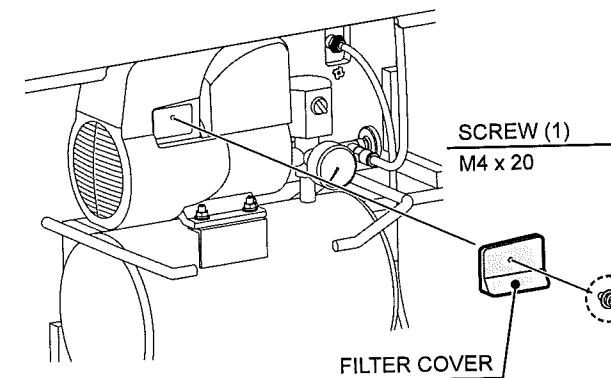
- 1 Turn off the power to the cabinet.
- 2 Wait approximately 2 minutes until all the pressurized air is released.
- 3 Remove the 2 truss screws and take off the compressor door.



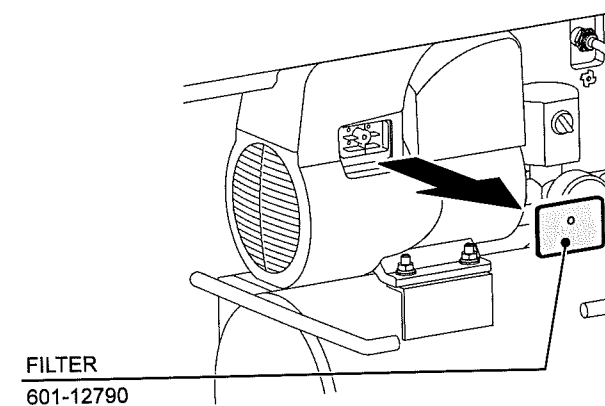
- 4 Turn off the power to the compressor.



- 5 Remove the 1 screw and take off the filter cover.



- 6 Take off the filter and clear away any foreign substances using an air duster or similar product. Under no circumstances should you wash the filter with water. If foreign substances cannot be removed, replace the filter.



14-7 INSPECTING THE FILTER REGULATOR ELEMENT

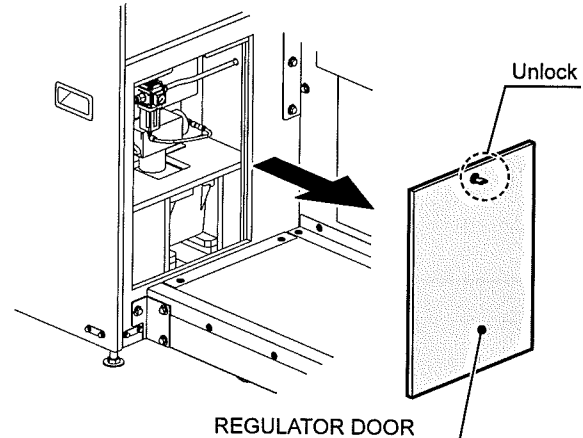
STOP IMPORTANT

- Using the element while it is dirty may lead to clogging and cause a breakdown. Perform work after verifying that the regulator meter is at "0."
- Be careful not to damage the air tubes. In some cases, water may escape from the air tubes while work is being performed. Ensure that all water is wiped away before you proceed. If you continue working without wiping away the water, this may cause a serious accident or damage to the product.
- When attaching the air tubes, ensure that they are inserted all the way in. If they are not sufficiently inserted, this may lead to air leakage and cause an unforeseen accident. Also, ensure that you are inserting the air tubes at the right position.

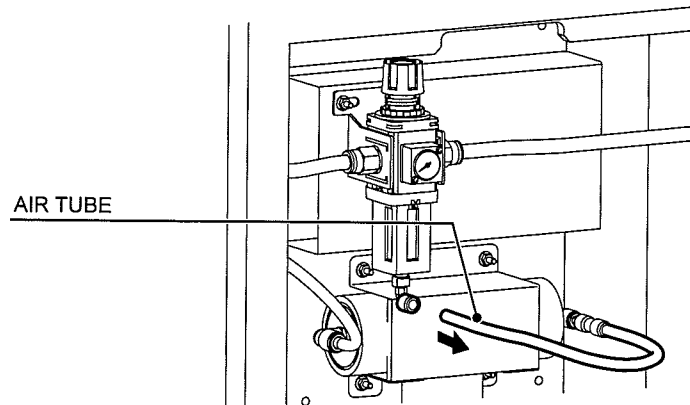
1 Turn off the power to the cabinet.

2 Wait approximately 2 minutes until all the pressurized air is released.

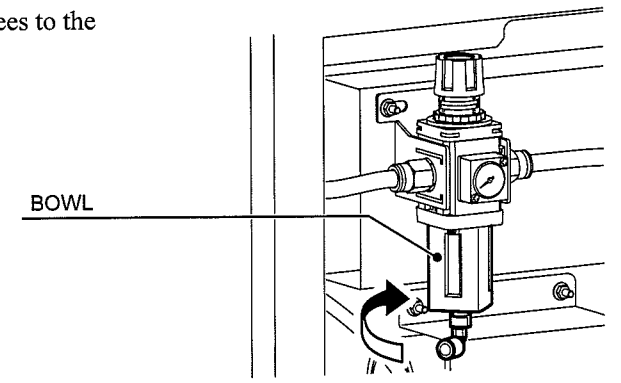
3 Unlock the regulator door with the master key and take it off.



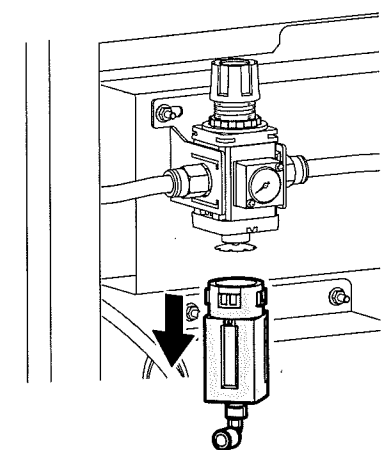
4 Remove the air tube connected to the bowl. Water may escape at this time, so take proper care.



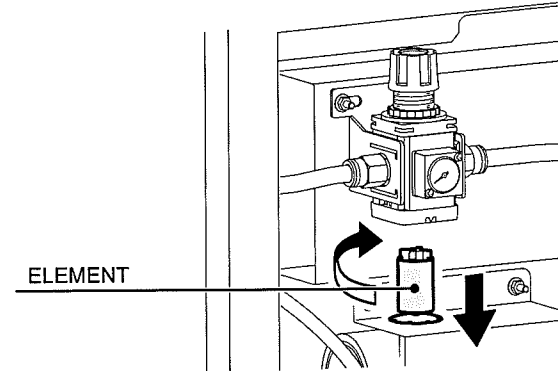
5 Turn the bowl approximately 45 degrees to the left until it stops.



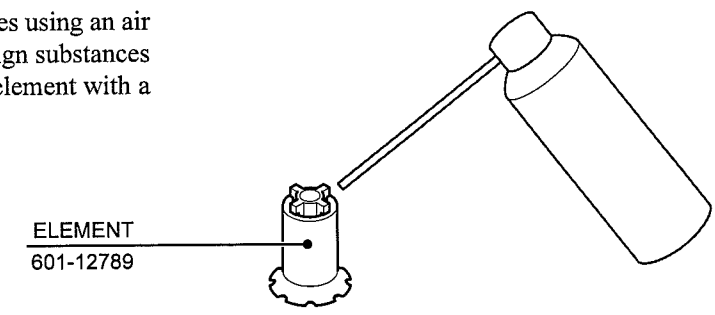
6 From the position described in Step 5, pull out the bowl in a downward direction to take it off. Water may escape at this time, so take proper care.



7 Turn the element to the left and take it off.



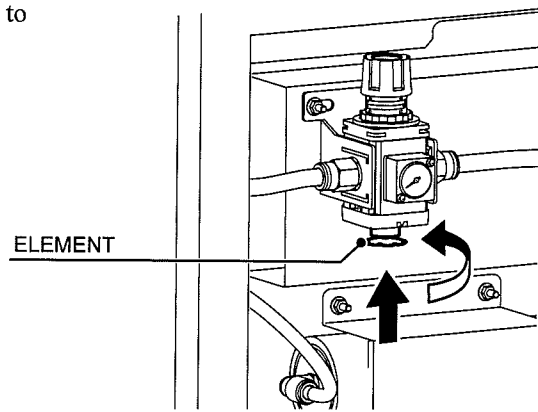
8 Clear away any foreign substances using an air duster or similar product. If foreign substances cannot be removed, replace the element with a new one.



14

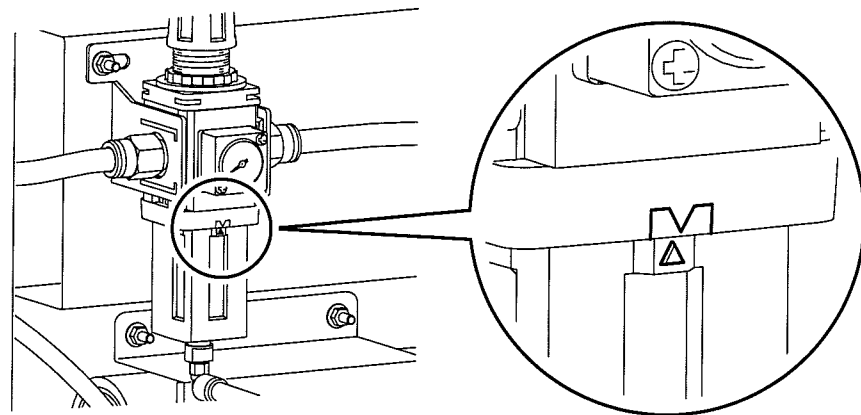
14

- 9 While pressing the element upward, turn it to the right to attach it.



- 10 Insert the bowl at a position approximately 45 degrees to the left and then turn it to the right to attach it. When doing so, ensure that the triangle-shaped alignment marks on the bowl and the body are lined up. After verifying that, attach the air tube.

NOTE: Ensure that the air tube is inserted all the way in.

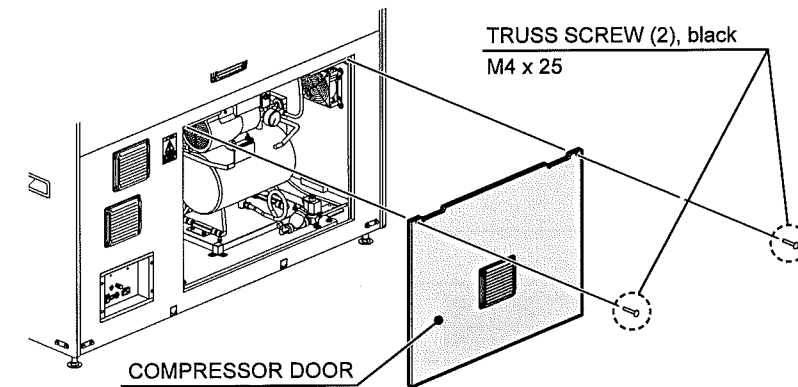


14-8 INSPECTING THE Y-SHAPED STRAINER FILTER

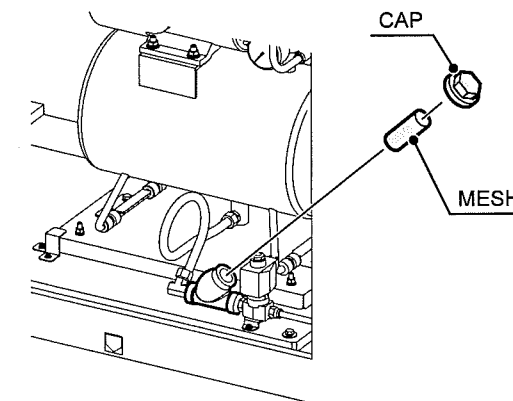
STOP IMPORTANT

If dirt or grime accumulates in the filter located in the Y-shaped strainer, this may lead to clogging, which may prevent drain water from being released properly and cause water to build up in the compressor tank and result in a breakdown.

- 1 Turn off the power to the cabinet.
- 2 Wait approximately 2 minutes until all the pressurized air is released.
- 3 Remove the 2 truss screws and take off the compressor door.



- 4 Use a wrench (with opposite side distance of 24 mm) to remove the cap from the Y-shaped strainer and take out the mesh.



- 5 Clear away any foreign substances sticking to the mesh by washing it with water or some other similar means. If foreign substances cannot be removed, replace the strainer. (See 14-11.)

14-9 REPLACING THE COMPRESSOR

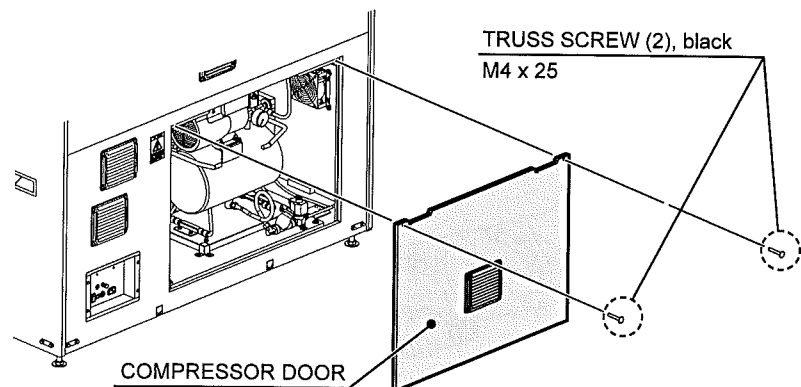
STOP IMPORTANT

- If it becomes necessary to replace the compressor, contact the office listed in this manual or the point-of-purchase for this product.
- If the game is operated for 8,000 hours, the compressor must be replaced. Continuing to use the product without replacing the compressor may cause a serious accident or damage to the product.
- Be careful not to damage the air tubes. In some cases, water may escape from the air tubes while work is being performed. Ensure that all water is wiped away before you proceed. If you continue working without wiping away the water, this may cause a serious accident or damage to the product.
- When attaching the air tubes, ensure that they are inserted all the way in. If they are not sufficiently inserted, this may lead to air leakage and cause an unforeseen accident. Also, ensure that you are inserting the air tubes at the right position.
- When attaching the various joints, wrap seal tape around the screw components on each joint. Also, if the nuts are not sufficiently tightened, this may lead to air leakage and cause an unforeseen accident.

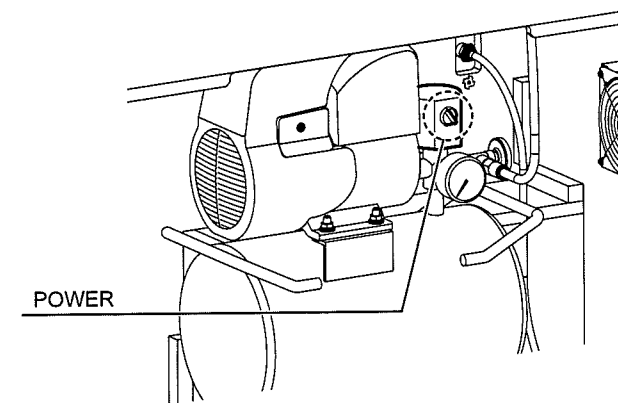
1 Turn off the power to the cabinet.

2 Wait approximately 2 minutes until all the pressurized air is released.

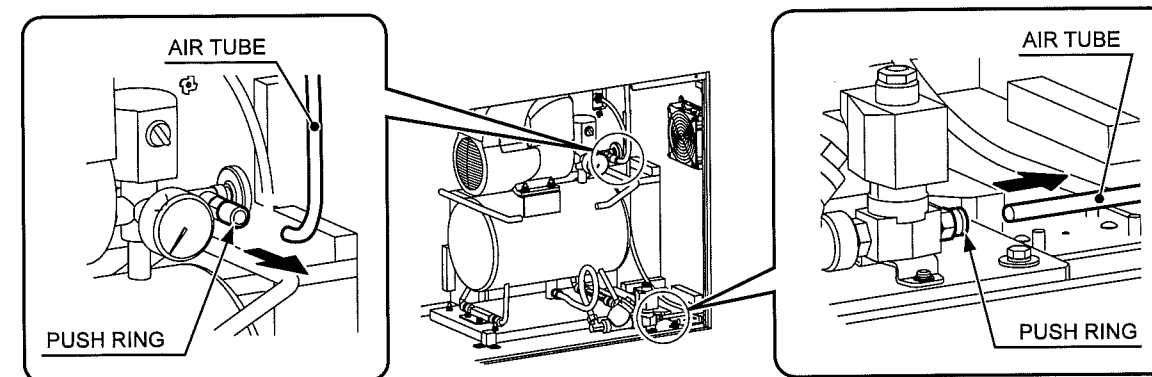
3 Remove the 2 truss screws and take off the compressor door.



4 Turn off the power to the compressor.

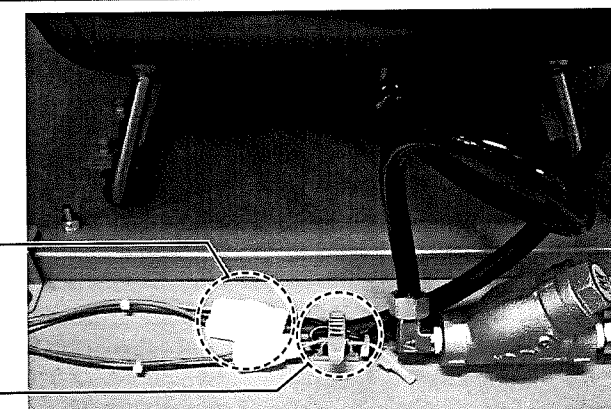


5 While pressing the push ring, remove 2 air tubes.



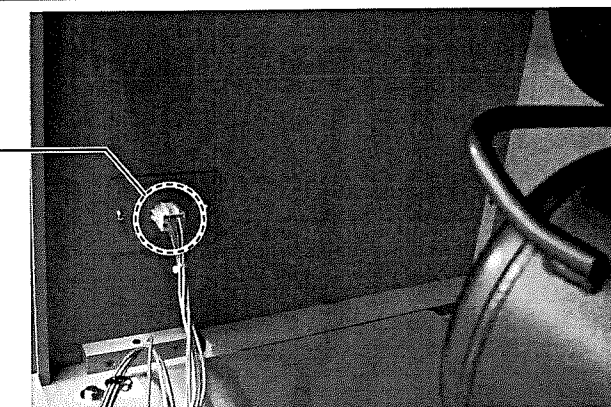
6 Undo the 1 cord clamp and disconnect the 1 connector. When doing so, do not remove the YL2P connector.

CONNECTOR (1)
VL3P
CORD CLAMP (1)



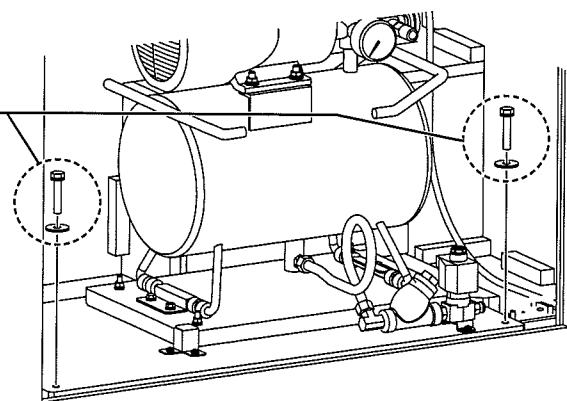
7 Disconnect the 1 connector.

CONNECTOR (1)
VL6P



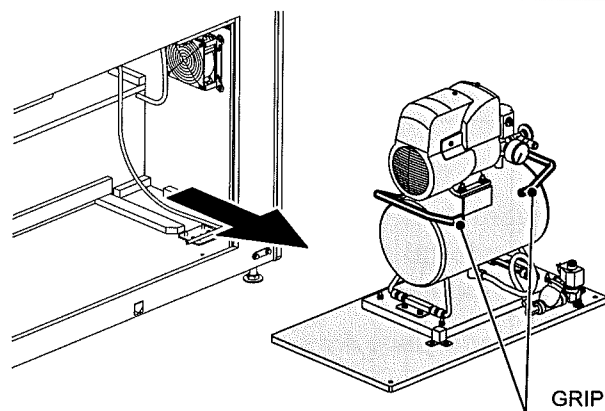
8 Remove the 2 bolts.

BOLT (2)
M6 x 35, w/spring washer, large flat washer used

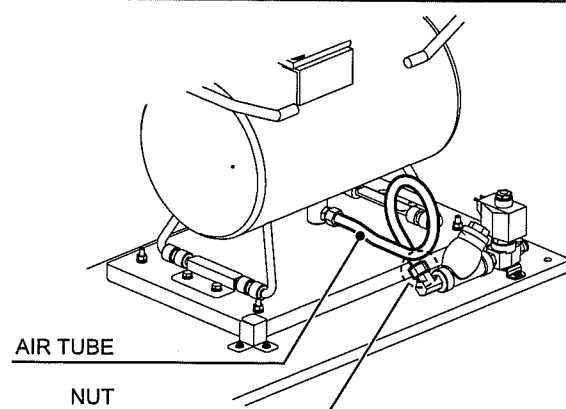


9 Hold the grips on the compressor and take it off.

NOTE: The compressor is a heavy object. Take sufficient care as you perform this work.

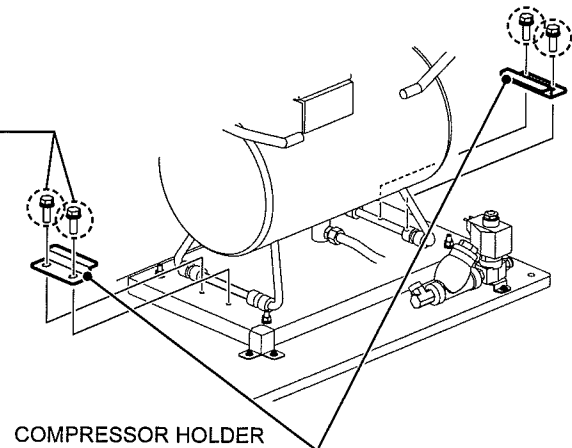


10 Use a wrench (with opposite side distance of 19 mm) to remove the nut from the L-shaped joint and take out the air tube.



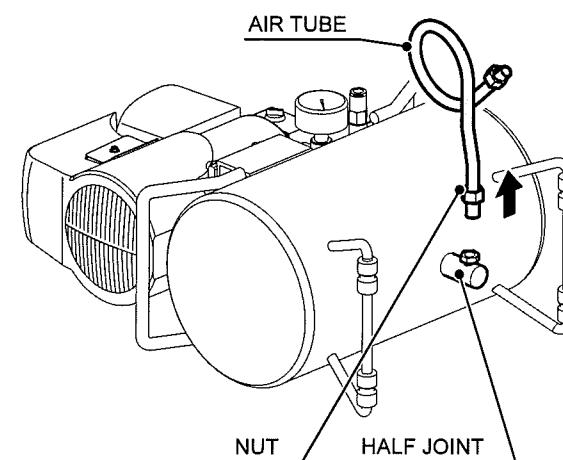
11 Remove the 2 bolts each and take off the compressor holder.

BOLT (2 ea.)
M6 x 16, w/spring washer, flat washer used

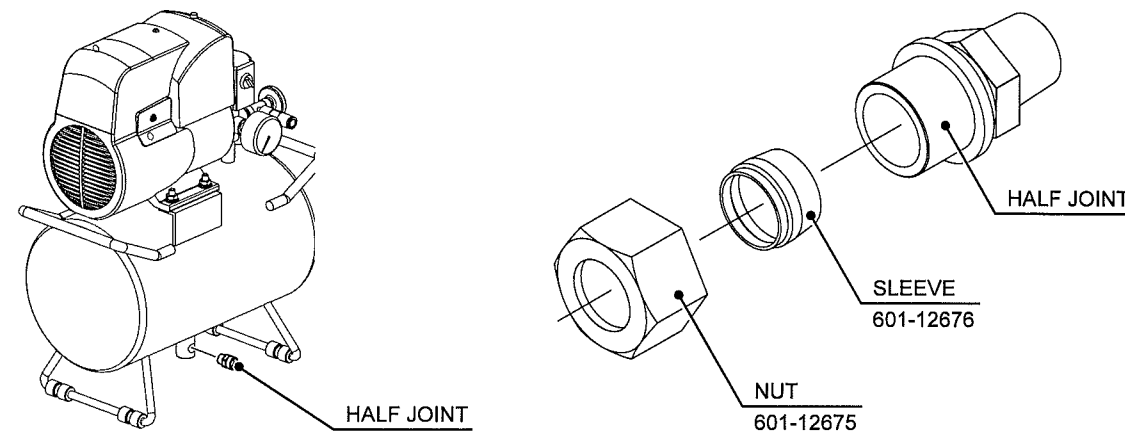


12 Take off the compressor.

13 Use a wrench (with opposite side distance of 19 mm) to remove the nut from the half joint and take out the air tube.



14 Use a wrench (with opposite side distance of 16 mm) to attach the drain exhaust half joint included with the new compressor. The sleeve and nut are not needed at this time.

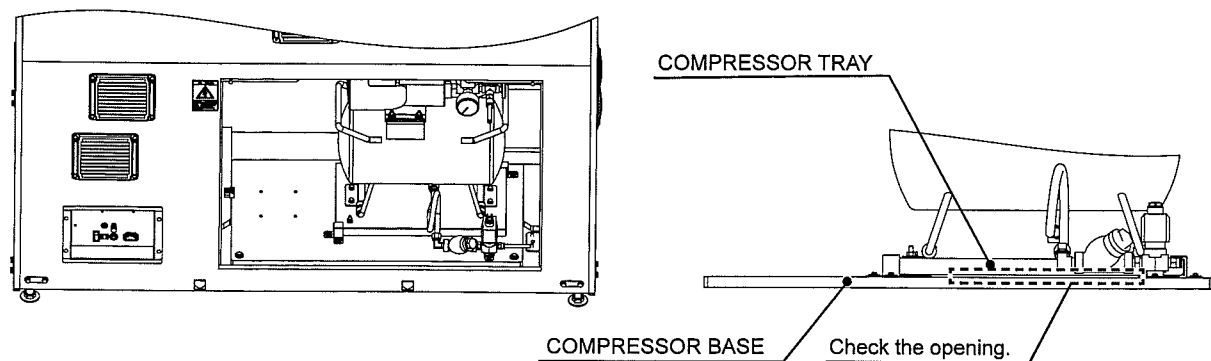


15 Refer to Steps 3 through 13 and work in reverse order to attach the new compressor.
NOTE: Use a wrench (with opposite side distance of 19 mm) when tightening the nut.

14-10 REPLACING THE COMPRESSOR RUBBER CUSHIONS

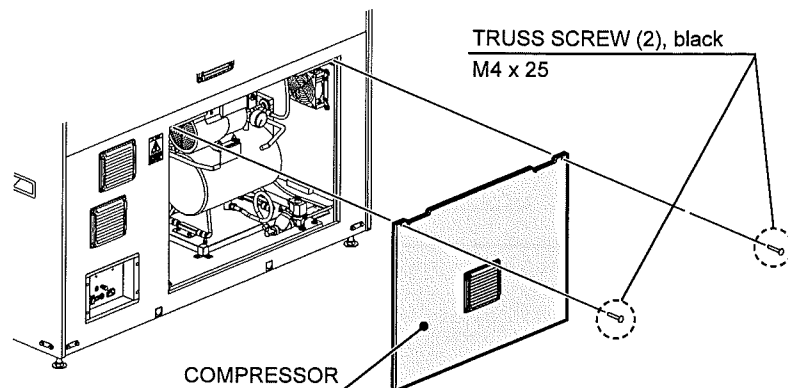
STOP IMPORTANT

- Check if there is a large enough opening between the compressor tray and the compressor base. If there is not sufficient space, replace the rubber cushions. Continuing to use the product while there is not enough space available may cause the product to break down.
- Be careful not to damage the air tubes. In some cases, water may escape from the air tubes while work is being performed. Ensure that all water is wiped away before you proceed. If you continue working without wiping away the water, this may cause a serious accident or damage to the product.
- When attaching the air tubes, ensure that they are inserted all the way in. If they are not sufficiently inserted, this may lead to air leakage and cause an unforeseen accident. Also, ensure that you are inserting the air tubes at the right position.
- When attaching the various joints, wrap seal tape around the screw components on each joint. Also, if the nuts are not sufficiently tightened, this may lead to air leakage and cause an unforeseen accident.

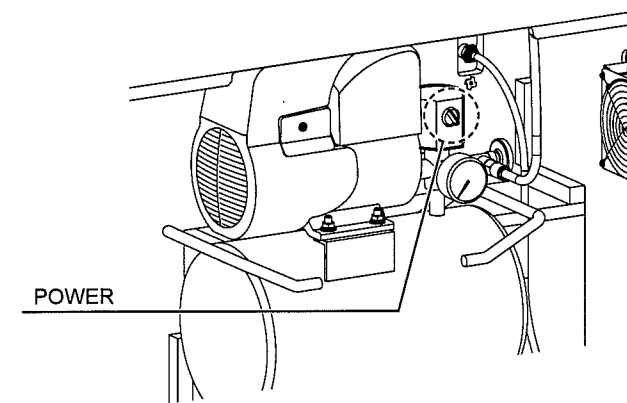


14

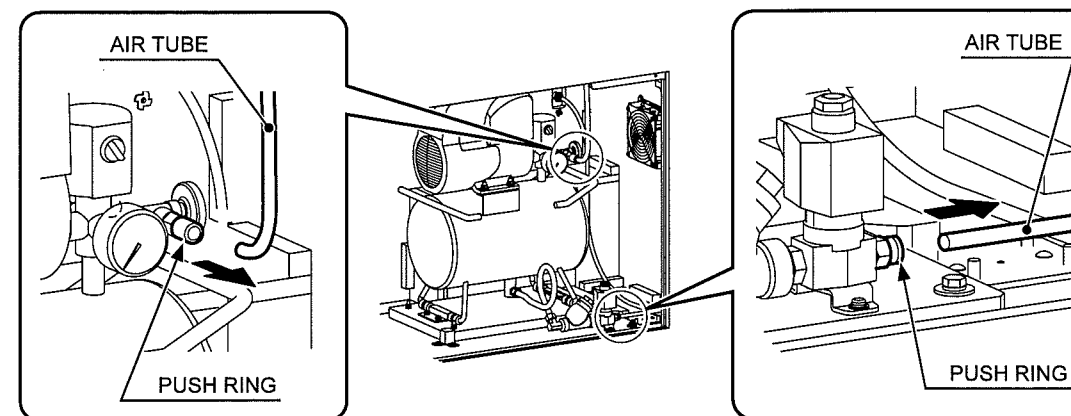
- 1 Turn off the power to the cabinet.
- 2 Wait approximately 2 minutes until all the pressurized air is released.
- 3 Remove the 2 truss screws and take off the compressor door.



- 4 Turn on the power to the compressor.



- 5 While pressing the push ring, remove 2 air tubes.

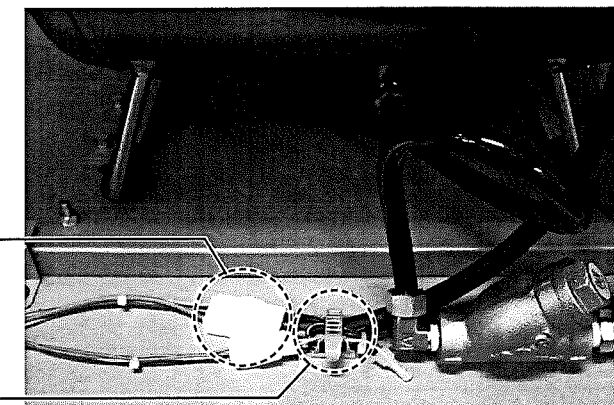


14

- 6 Undo the 1 cord clamp and disconnect the 1 connector. When doing so, do not remove the YL2P connector.

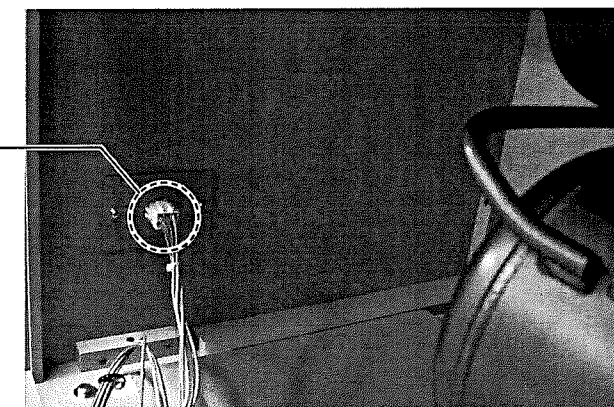
CONNECTOR (1)
VL3P

CORD CLAMP (1)



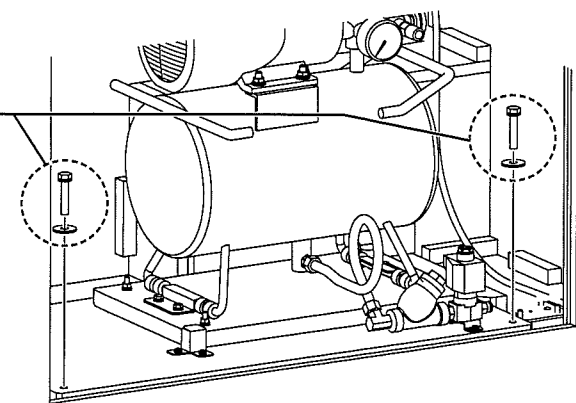
- 7 Disconnect the 1 connector.

CONNECTOR (1)
VL6P



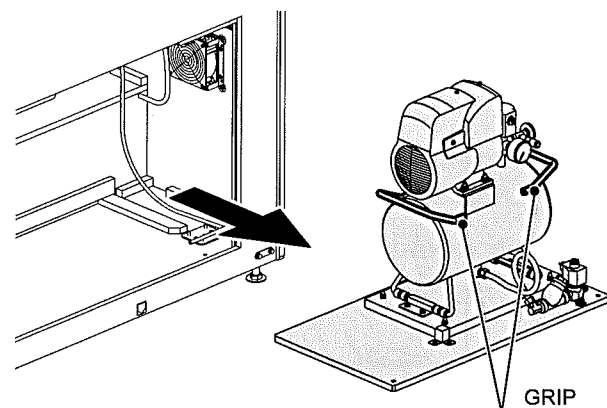
8 Remove the 2 bolts.

BOLT (2)
M6 x 35, w/spring washer, large flat washer used

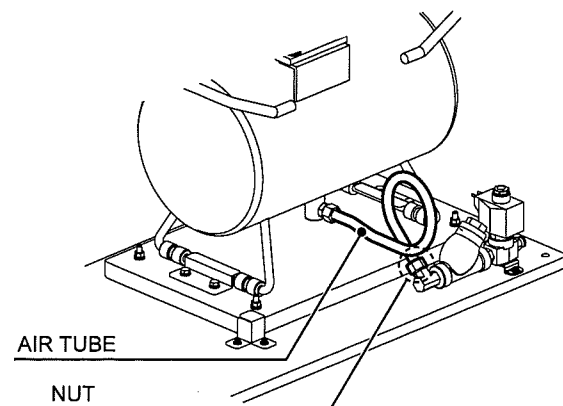


9 Hold the grips on the compressor and take it off.

NOTE: The compressor is a heavy object. Take sufficient care as you perform this work.

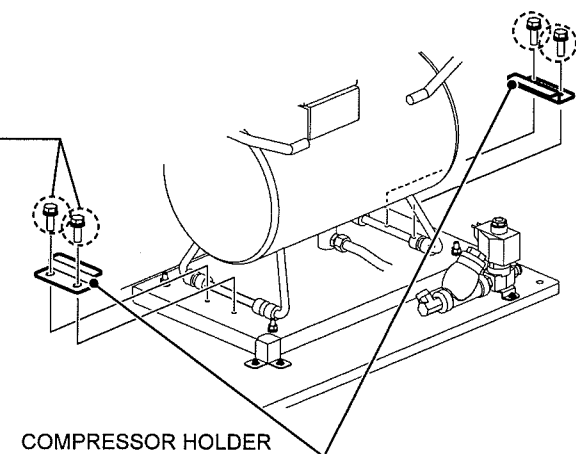


10 Use a wrench (with opposite side distance of 19 mm) to remove the nut from the L-shaped joint and take out the air tube.



11 Remove the 2 bolts each and take off the compressor holder.

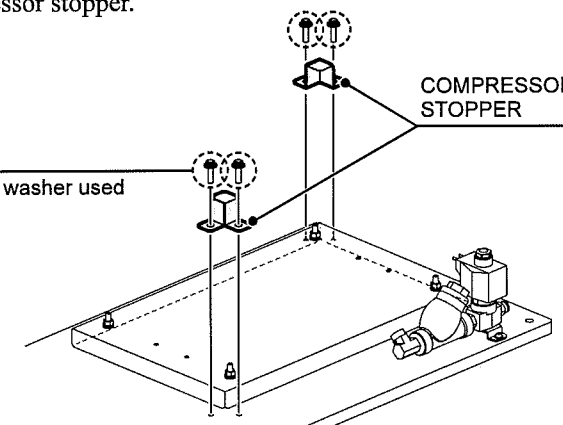
BOLT (2 ea.)
M6 x 16, w/spring washer, flat washer used



12 Take off the compressor.

13 Remove the 2 screws each and take off the compressor stopper.

SCREW (2 ea.)
M4 x 16, w/spring washer, large flat washer used

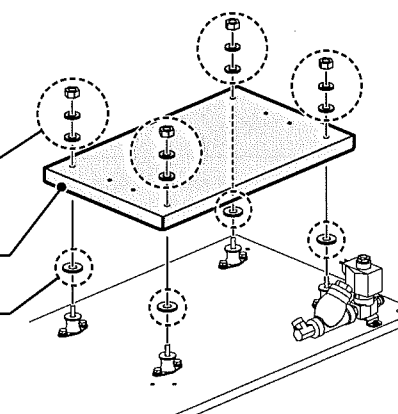


14 Remove the 4 nuts and take off the compressor tray.

NUT (4)
M6, flat & spring washers used

COMPRESSOR TRAY

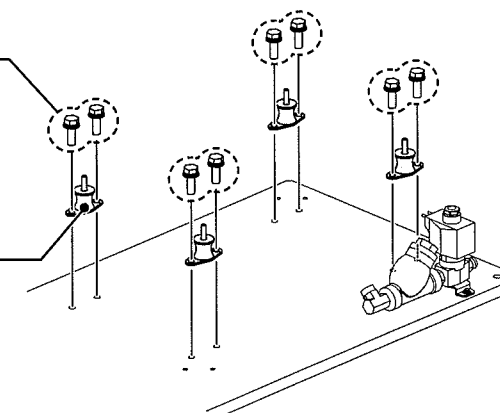
large flat washer (4)



15 Remove 2 bolts from each rubber cushion and replace the 4 rubber cushions on the compressor base. Ensure that you replace all 4 cushions at the same time.

BOLT (2 ea.)
M6 x 16, w/flat & spring washers

RUBBER CUSHION (4)
601-12771



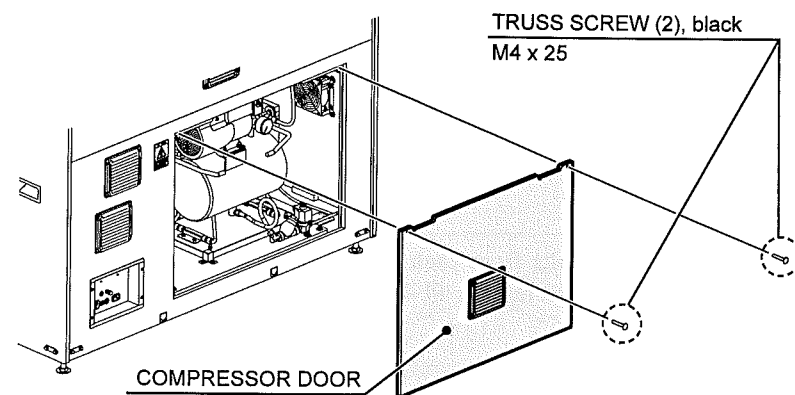
16 Refer to Steps 3 through 14 and work in reverse order to reassemble the compressor.
NOTE: When attaching the compressor stopper, ensure that it does not come in contact with the compressor tray. Use a wrench (with opposite side distance of 19 mm) when tightening the nut.

14-11 REPLACING THE Y-SHAPED STRAINER

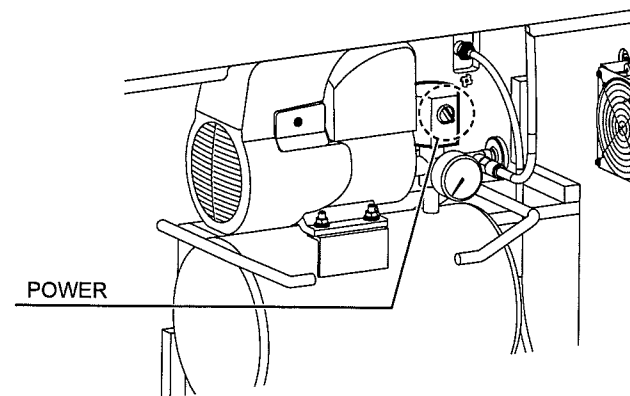
STOP IMPORTANT

- When attaching the air tubes, ensure that they are inserted all the way in. If they are not sufficiently inserted, this may lead to air leakage and cause an unforeseen accident. Also, ensure that you are inserting the air tubes at the right position.
- When attaching the various joints, wrap seal tape around the screw components on each joint. Also, if the nuts are not sufficiently tightened, this may lead to air leakage and cause an unforeseen accident.

- 1 Turn off the power to the cabinet.
- 2 Wait approximately 2 minutes until all the pressurized air is released.
- 3 Remove the 2 truss screws and take off the compressor door.

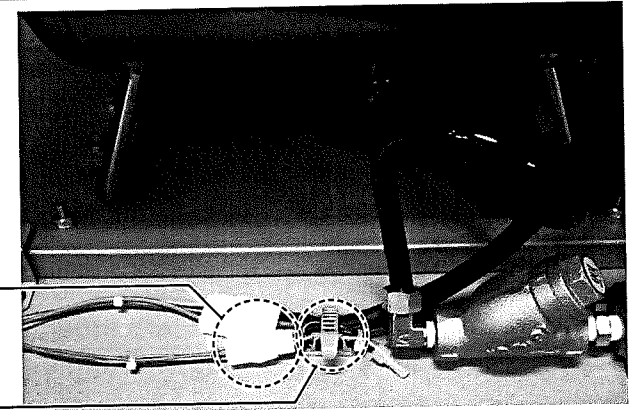


- 4 Turn off the power to the compressor.

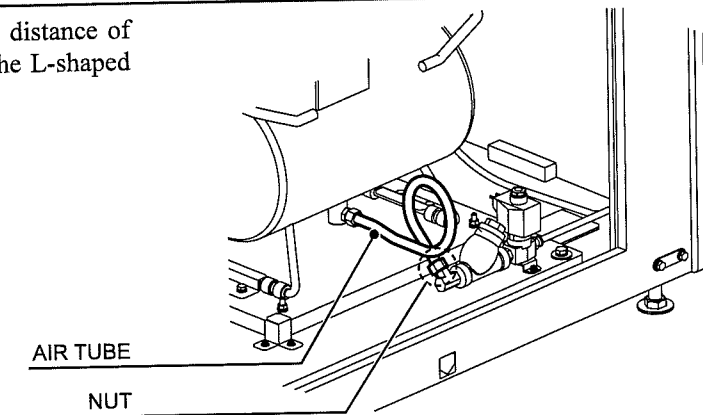


- 5 Undo the 1 cord clamp and disconnect the 1 connector. When doing so, do not remove the VL3P connector.

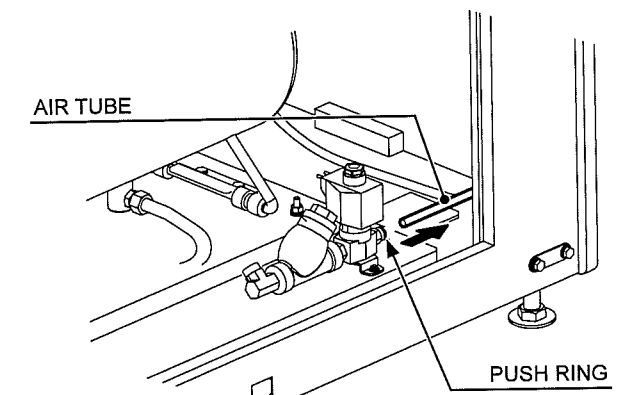
CONNECTOR (1)
YL2P
CORD CLAMP (1)



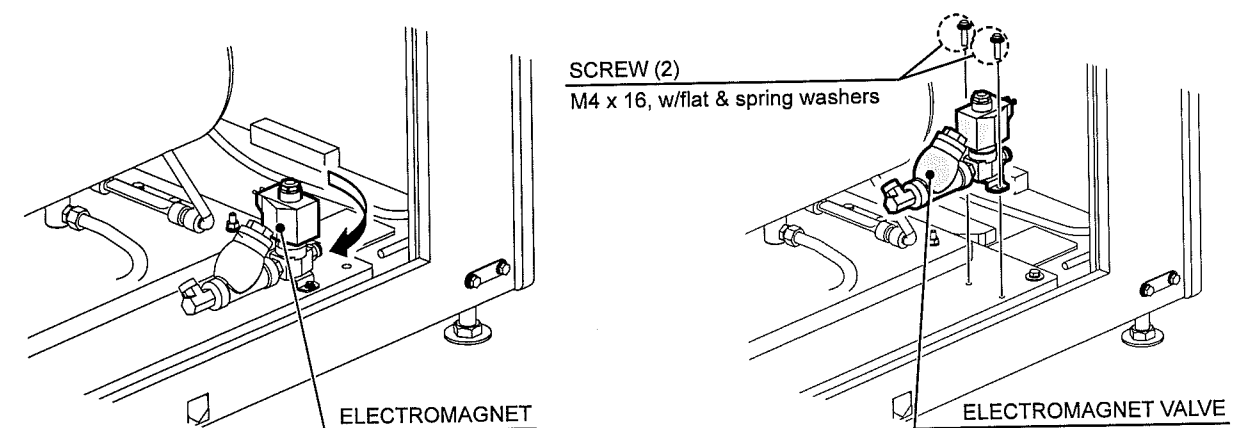
- 6 Use a wrench (with opposite side distance of 19 mm) to remove the nut from the L-shaped joint and take out the air tube.



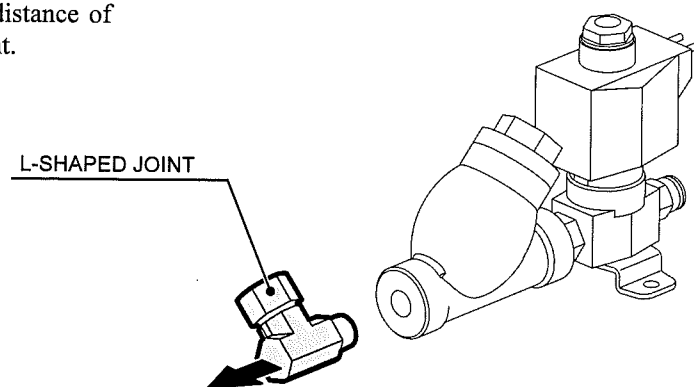
- 7 While pressing the push ring, remove the air tube on the other side.



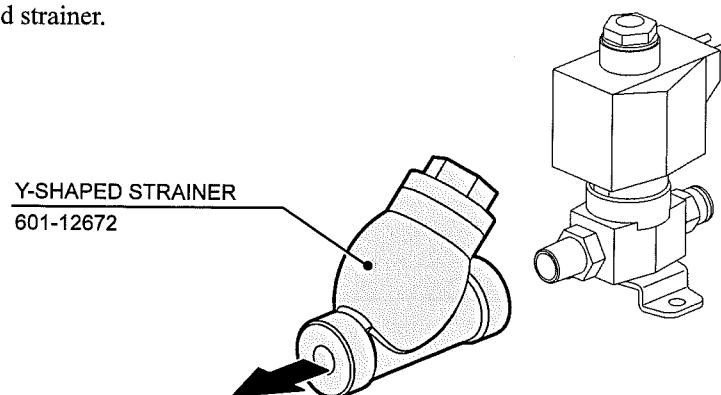
- 8 After turning the electromagnet, remove 2 screws and take out the electromagnet valve.



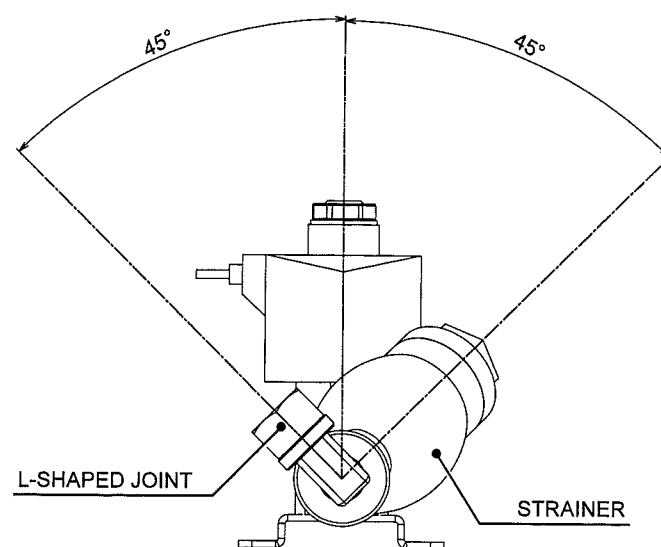
- 9 Use a wrench (with opposite side distance of 14 mm) to remove the L-shaped joint.



- 10 Using pliers, remove the Y-shaped strainer.



- 11 Replace the Y-shaped strainer.
NOTE: Ensure that the Y-shaped strainer and L-shaped joint are not attached at the wrong place.



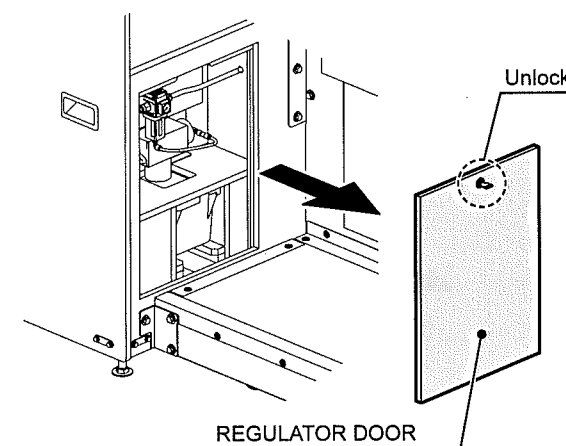
- 12 Refer to Steps 3 through 10 and work in reverse order to reassemble the compressor.
NOTE: Use a wrench (with opposite side distance of 14 mm) when tightening the nut.

14-12 REPLACING THE FILTER REGULATOR

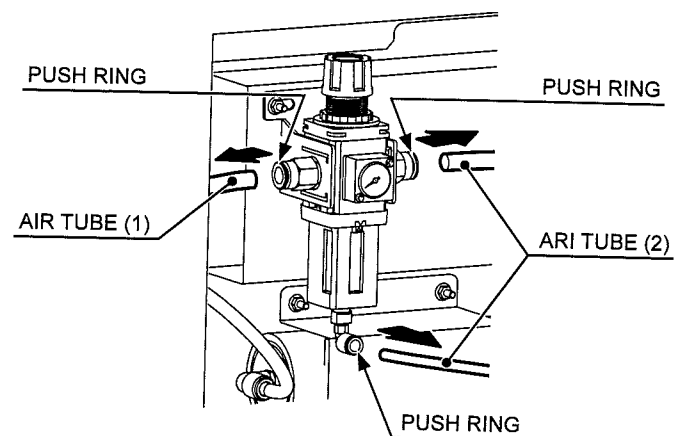
STOP IMPORTANT

- Be careful not to damage the air tubes. In some cases, water may escape from the air tubes while work is being performed. Ensure that all water is wiped away before you proceed. If you continue working without wiping away the water, this may cause a serious accident or damage to the product.
- When attaching the air tubes, ensure that they are inserted all the way in. If they are not sufficiently inserted, this may lead to air leakage and cause an unforeseen accident. Also, ensure that you are inserting the air tubes at the right position.
- A C-shaped bracket is included with the new filter regulator. Before attaching the joint, align the concave section of the filter regulator with the convex section of the C-shaped bracket. Then press the parts together to attach them.
- When attaching the various joints, wrap seal tape around the screw components on each joint. Also, if the nuts are not sufficiently tightened, this may lead to air leakage and cause an unforeseen accident.

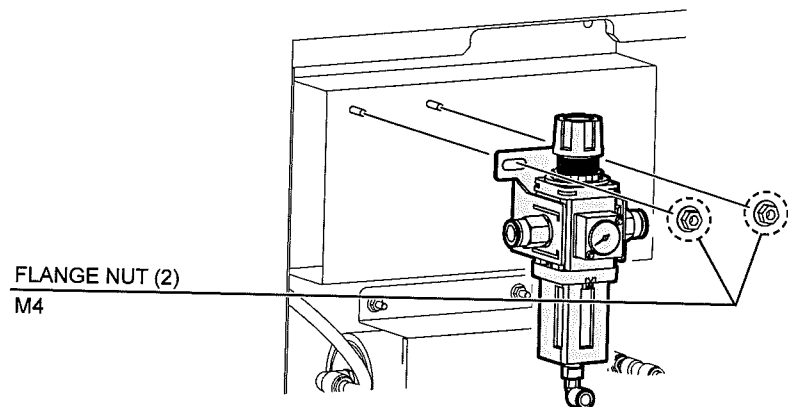
- 1 Turn off the power to the cabinet.
- 2 Wait approximately 2 minutes until all the pressurized air is released.
- 3 Unlock the regulator door with the master key and take it off.



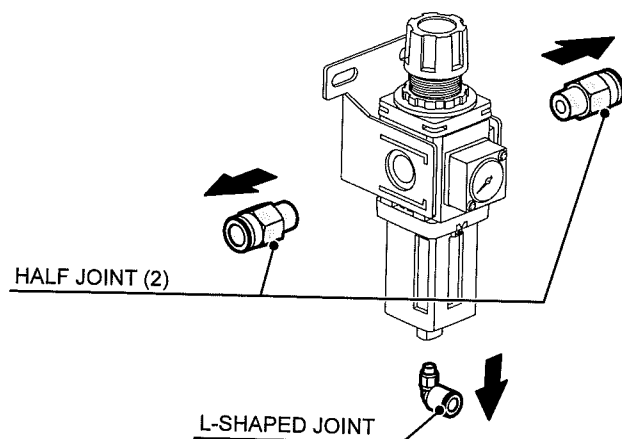
4 While pressing the push ring, remove the 3 air tubes connected to the filter regulator.



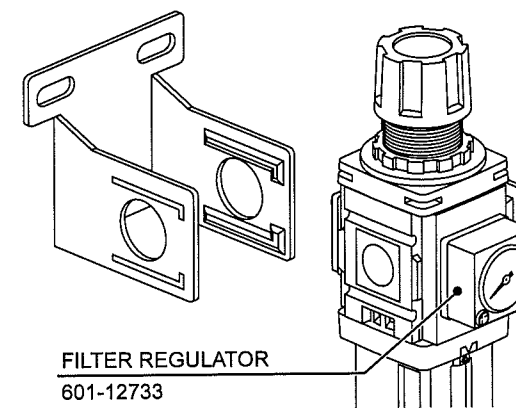
5 Remove the 2 flange nuts and take off the filter regulator.



6 Use a wrench (with opposite side distance of 17 mm) to remove the 2 half joints. Next, use a wrench (with opposite side distance of 7 mm) to remove the L-shaped joint.



7 Replace the filter regulator. When doing so, pay attention to the direction in which you are attaching the filter regulator.



8 Refer to Steps 3 through 6 and work in reverse order to attach the filter regulator.
NOTE: Use 2 wrenches (with opposite side distance of 7 mm and 17 mm) when tightening the nuts.

15 COIN SELECTOR

⚠ WARNING

- This work should be performed by site maintenance personnel or other skilled professionals. Work performed by non-technical personnel can cause a severe accident such as an electric shock.
- When working with the product, be sure to turn the power off. Working with the power on may cause an electric shock or short circuit.

⚠ CAUTION

When attaching or removing doors, be careful that your hand or finger does not get caught in anything.

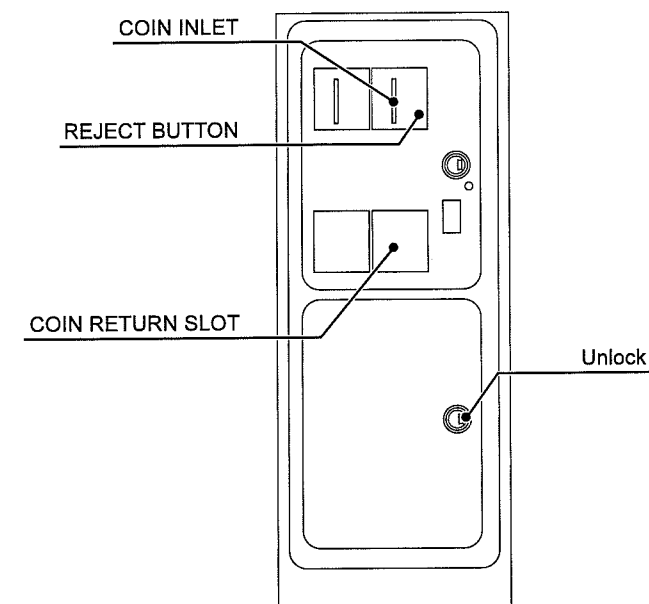
STOP IMPORTANT

- Remove and clean smears by using a soft cloth dipped in water or diluted chemical detergent and then squeezed dry.
- After cleaning the coin selector, insert a regular coin in the normal working status and ensure that the selector correctly functions.
- The coin selector is a precision device. Careless handling could result in damaged parts, poor connection of electronic circuits, etc.
- Never apply machine oil, etc. to the coin selector.
- Do not open the lid more than 90 degrees. Doing so will place undue force on the hinge which could break it.
- Do not disassemble or take out undesignated parts.

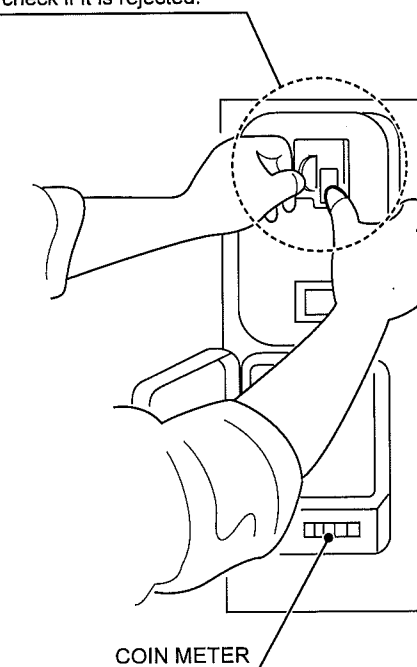
15-1 COIN INSERTION TEST

Once every month, when performing the Coin SW Test, simultaneously check the following:

- Does the coin meter count properly?
- Do coins drop into the cashbox correctly?
- Are coins rejected when inserted while holding down the reject button?
- Are extra coins and incorrect coins properly returned?



Insert a coin while keeping the reject button pressed down and check if it is rejected.

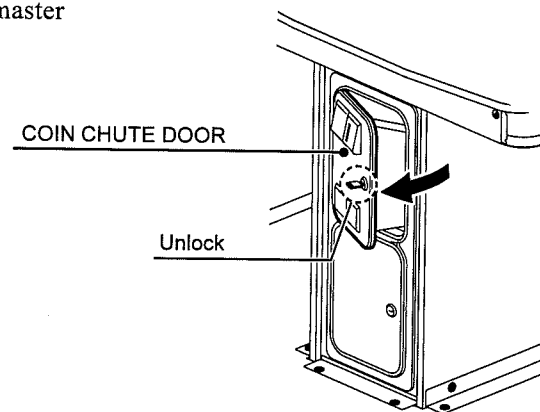


15-2 CLEANING THE COIN SELECTOR

The coin selector should be cleaned once every 3 months. When cleaning, follow the procedures below:

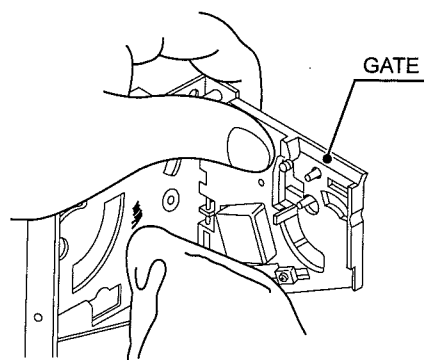
1 Turn off the power to the cabinet.

2 Unlock the coin chute door with the master key and open it.



3 Remove the coin selector from the coin chute door.

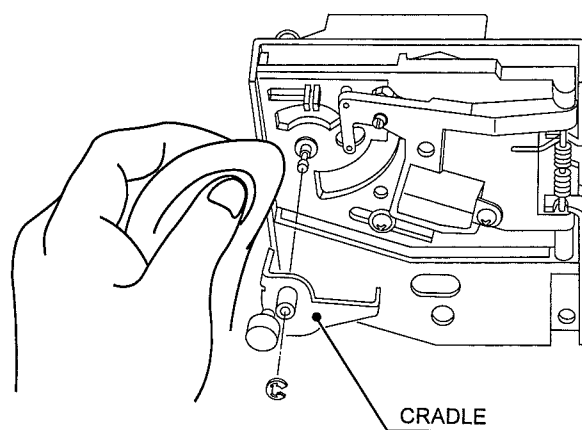
4 Open the gate and dust off with animal hairbrush or other soft brush.



5 Remove and clean smears by using a soft cloth dipped in water or diluted chemical detergent and then squeezed dry.

6 Remove the cradle. When removing the retaining ring (E ring), be careful not to bend the rotary shaft.

7 Remove stain from the rotary shaft and shaft receiving portions by wiping off with a soft cloth, etc.



8 After wiping off dirt, wipe away moisture with a dry cloth and make sure that the coin selector is completely dry.

15-3 REMOVING THE JAMMED COIN

If the coin does not come out when pressing the reject button, open the service door and then open the coin selector gate. After removing the jammed coin, insert a normal coin and make sure the selector works properly.

16 FLUORESCENT LAMP AND HALOGEN LAMP REPLACEMENT

⚠ WARNING

- This work should be performed by site maintenance personnel or other skilled professionals. Work performed by non-technical personnel can cause a severe accident such as an electric shock.
- When working with the product, be sure to turn the power off. Working with the power on may cause an electric shock or short circuit.
- When assembling, be sure to use plural persons. Depending on the assembly work, there are some cases in which working by one person alone can cause personal injury or parts damage.
- Be sure to use lamps meeting specified rating. Using lamps exceeding the specified rating may cause fire and/or damage.
- There is the danger of short circuits or smoke generation due to deterioration of insulation in lighting fixtures resulting from age deterioration.

Check for anomalies such as the following:

- Does it smell like something is burning?
- Is there socket discoloration?
- Are any lamps being replaced frequently?
- Do lamps not go on properly?

⚠ CAUTION

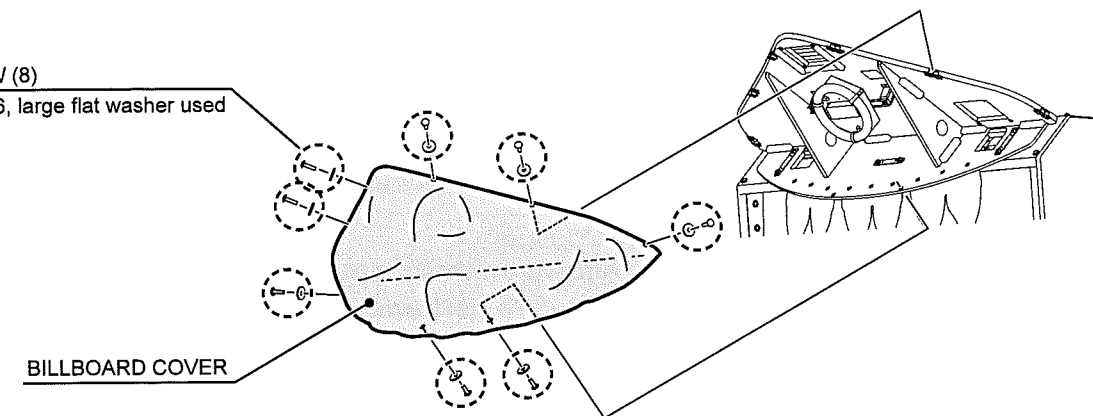
- You may get burned by a hot fluorescent lamp or other lamps. Pay full attention to the lamps when performing the work.
- When replacing a fluorescent lamp or other lamps, be careful not to place too much stress on the glass part. Doing so could cause it to break, and broken pieces may cause personal injury.
- Hold the parts firmly while removing the affixing screws. When all the affixing screws are removed, the part could fall off, resulting in an accident.
- To perform the operation safely and accurately you must use steady stepstool. Working without this may lead to a fall and possible injury.
- Be careful when handling the plastic parts. Do not apply excessive force or shock to these parts. Failure to observe this instruction may result in breakage, and broken pieces and cracks or chips in these parts may cause personal injury.

16-1 REPLACING THE BILLBOARD FLUORESCENT LAMP

- 1 Turn off the power to the cabinet.
- 2 First, remove 2 screws from the underside of the billboard cover and then remove 6 screws from the sides of the billboard cover. Remove the billboard cover while using 2 or more workers to support it.
NOTE: Use a stepstool when performing work on the top of the cabinet

SCREW (8)

M4 x 16, large flat washer used

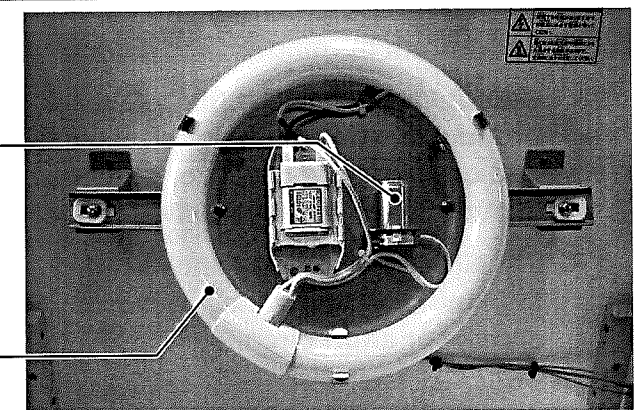


BILLBOARD COVER

- 3 Replace the fluorescent lamp and glow lamp.

GLOW LAMP
390-5638-1P

FLUORESCENT LAMP 30 W natural white
390-6929-30-EXN



- 4 Refer to Step 2 and work in reverse order to attach the billboard cover.

17 PERIODIC INSPECTION

In order to maintain the performance of this product and operate it safely, inspect the following items routinely and perform maintenance.

WARNING

- This work by touching the internal parts of the product should be carried out by site maintenance personnel or other qualified professionals. Work performed by non-technical personnel can cause a severe accident such as electric shock.
- Be sure to check once a year to see whether power cables are damaged, the plug is securely inserted, dust has accumulated between the socket outlet and the power plug, etc. Using the product with accumulated dust can cause fire and electric shock.
- Once a year, request the office shown on this manual or the dealer from whom the product was originally purchased to perform the internal cleaning. Using the product with accumulated dust in the interior may cause fire or other accidents. Note that you are liable for the cost of cleaning the interior parts.
- There is the danger of accidents involving electrical shorts circuits or fire caused by factors such as the deterioration of insulation in electrical and electronic equipment over time. Check that there are no anomalies such as odors from burning.
- Do not use a water jet (high pressure washing device) or hose to clean this product. It was not designed to be cleaned by a water jet. Water could get inside and cause electrocution or short circuits. The product could also be damaged in such a way that it is difficult to repair.
- For all normal maintenance procedures, always turn off the power before beginning. Starting the procedures with the power still on can result in electric shocks or short circuits.
- Clean the RINGEDGE once a year. If the RINGEDGE is used as-is with dust built up inside, it could result in malfunction, fire or other accidents.

PERIODIC INSPECTION TABLE

NOTE: The "S/M" referenced in the table denotes RINGEDGE Service Manual, which is provided separately.

PERIOD	ITEMS	DESCRIPTION	REFERENCE
As appropriate	CABINET SURFACES	Cleaning	As below
	FLUORESCENT LAMP	Inspection	-
Daily	CABINET	Confirm that adjusters contact floor	6-2, 6-4
	COMPRESSOR	Dispose of drain water	14-2
		Check for vibration and strange noises coming from compressor	14-3
		Check setting and pressure of filter regulator	14-4
Weekly	LCD	Screen cleaning	12-2
		Check LCD adjustment	12-3
Monthly	START BUTTON	Check switches and lamps	11-3, 11-4
	3D/2D BUTTON		18-1, 18-2
	CONTROLLER	Inspect volume	Chapter 13
	COIN SELECTOR	Inspect coin switch	Chapter 15
		Coin insertion test	15-1
	RINGEDGE	Setting check	Chapter 19, S/M
Every 3 months	CONTROLLER	Inspect gear meshing	13-1-1, 13-2-1
		Apply grease	13-1-3, 13-2-3
	COIN SELECTOR	Cleaning	15-2
Every 6 months or after game is played for 1,500 hours	COMPRESSOR	Check compressor operation	14-5
		Inspect compressor filter	14-6
		Inspect Y-shaped strainer	14-8
		Inspect filter regulator element	14-7
1 year	RINGEDGE	Cleaning	19-2
	POWER PLUG	Inspection, Cleaning	As above
	LCD CABINET INTERIOR	Cleaning	As above
Every 3 years or after game is played for 8,000 hours	COMPRESSOR	Replace compressor	14-9

CLEANING THE CABINET SURFACES

When the cabinet surfaces become dirty, remove stains with a soft cloth soaked in water or diluted (with water) chemical detergent and then wrung dry. To avoid damaging the finish, do not use such solvents as thinner, benzene, etc. (other than ethyl alcohol) or abrasives (bleaching agent and chemical dust-cloth). Some general-purpose household, kitchen, and furniture cleaning products may contain strong solvents that degrade plastic parts, coatings, and print. Before using any cleaning product, read the product's cautionary notes carefully and test the product first on a small area that is not highly visible.

18 TROUBLESHOOTING

⚠ WARNING

- This work should be performed by site maintenance personnel or other skilled professionals. Work performed by non-technical personnel can cause a severe accident such as an electric shock. If there are no site maintenance personnel or other skilled professionals available, turn the power off immediately and contact the office given in this manual or from the point-of-purchase.
- When working with the product, be sure to turn the power off. Working with the power on may cause an electric shock or short circuit.
- Be careful not to damage the cables. Damaged cables may cause electric shock or short circuit or present a fire risk.
- After the cause of circuit protector activation has been removed, have the circuit protector re-engaged. If the unit is used continuously as is, there could be heat generation or fire, depending on the cause of the activation.
- If problems other than those covered in this manual arise, or if no improvements can be noted after measures given in this manual have been taken, do not take measures indiscriminately. Cut off the power immediately and contact the office shown in this manual or the dealer from whom the product was originally purchased. Indiscriminate countermeasures could lead to unforeseeable accidents. They could also result in permanent damages. Also, if the power is left on while there is an abnormality, a fire, electric shock or other serious accident can occur.

STOP IMPORTANT

- If an error message is displayed, identify the cause right away and take the appropriate countermeasures. Leaving the error unaddressed could result in a breakdown.
- If a problem occurs, first inspect the connection of any wiring connectors.
- Static electricity from your body may damage some electronics devices on the IC board. Before handling the IC board, touch a grounded metallic surface so that the static electricity can be discharged.

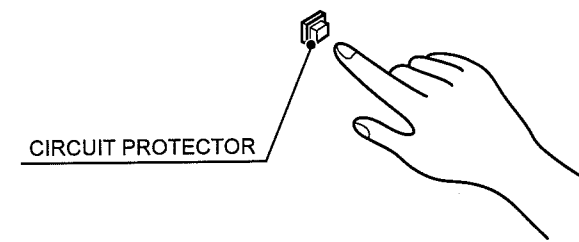
Because this product has parts such as the seat mechanisms, it has some unique error messages. If an error message is displayed, refer to Chapter 20 "ERROR MESSAGES." If trouble arises, first inspect the connections of the wiring connectors.

PROBLEMS	CAUSE	COUNTERMEASURES
With main switch ON, no activation.	Power is not supplied.	Insert the power plug all the way into the outlet.
	Power supply/voltage is not correct.	Make sure that power supply/voltage is correct.
	Circuit protector on AC unit was activated due to momentary overload.	Reset the circuit protector after removing the cause of the overload. (See below.)
Fluorescent lamp on billboard does not illuminate.	Poor connection of connectors	Check the connection with the billboard connector from the seat cabinet.
	LIFE of fluorescent lamp or glow lamp	Replace the fluorescent lamp and glow lamp. (See 16-1.)
No sound	Volume not properly adjusted.	Adjust the sound volume on the switch unit. (See 9-1.)
	Poor connection of connectors	Check the connection with the RINGEDGE, amp, speaker, woofers, and volume connectors.
	Board, amp, speaker, or woofer malfunction	Check by performing SPEAKER TEST. <i>NOTE: The woofers will not output sound even if you switch them on. They operate together with the left and right speakers, so check them using those speakers. (See RINGEDGE Service Manual.)</i>
Sound is output and the fluorescent lamp illuminates, but the LCD remains black.	Poor connection of video signal connector or LCD power cable.	Check the connection with the LCD and RINGEDGE connectors.
	Switch on the back of LCD is turned off.	Turn on the switch on the back of the LCD. (See Step 2 of 12-3.)
	LCD input setting is incorrect.	Switch to the correct setting using the remote control. (See 12-3.)
	LCD trouble	Contact the point-of-purchase.
LCD 3D display is not functioning normally.	Poor connection of video signal connector.	Make sure the video signal connector is properly connected and fastened in place.
	LCD not properly adjusted.	Adjust the LCD settings. (See 11-6.)
Switch and volume input does not work	Poor connection of connectors	Check the connection with the RINGEDGE connector from the I/O board.
		Check the connection of the I/O board connector.
No sound following controller input	Poor connection of connectors	Check the connection with the LCD cabinet connector from inside the control panel.
	Volume trouble	Replace the volume. (See 13-1-2, 13-2-2.)

PROBLEMS	CAUSE	COUNTERMEASURES
No controller (rotary solenoid) vibration	Poor connection of connectors	Check the connection with the solenoid driver connector from the game board and the controller connector from the solenoid driver.
	Thermal element within rotary solenoid is operating.	It will automatically recover after it cools down.
	Rotary solenoid damaged due to momentary overload.	Contact the point-of-purchase.
No sound or flashing light following START button or 3D/2D Button input	Poor connection of connectors	Securely connect the LCD cabinet connector from the I/O board and the connector inside the control panel from the LCD cabinet.
Sound but no flashing light following START button or 3D/2D Button input	Life of LED	Replace the LED. (See 18-1,18-2.)
Compressor does not activate.	Compressor is turned off.	Turn on the compressor. (See below.)
	Power cable is disconnected.	Connect the power cable. (See Step 6 and Step 7 of 14-9.)
	Thermal protector is operating.	Press the protector reset button. (See below.)
	Compressor trouble	Replace the compressor. (See 14-9.)
Thermal protector is operating frequently.	Compressor trouble	Replace the compressor. (See 14-9.)
Odd smell or extreme amount of vibration or strange noises coming from the compressor	Screws and/or bolts in the compressor are loose.	Tighten the screws and/or bolts once more. (See 14-3.)
	Compressor trouble	Replace the compressor. (See 14-9.)
	Compressor tray is coming in contact with compressor base.	Replace the rubber cushions. (See 14-10.)
Air blow-off is weak or does not occur at all.	Air ON/OFF setting in TEST MODE is set to "OFF."	Change the air setting in TEST MODE to "ON." (See 11-5.)
	Compressor open-close valve is closed.	Open the compressor open-close valve completely. (See 14-1.)
	The pressure displayed on the filter regulator is less than "0.4 MPa."	Change the pressure on the filter regulator to "0.4 MPa." (See 14-4.)
	Poor connection of air tubes, or air leakage	Check air tubes and connect them properly.
	Clogging in filter regulator element	Inspect the filter regulator element. (See 14-7.)
Swelling in air tube	Compressor trouble	Replace the compressor. (See 14-9.)
	Foreign substances such as dirt, grime, or rust are clogging air tube.	Replace the air tube.

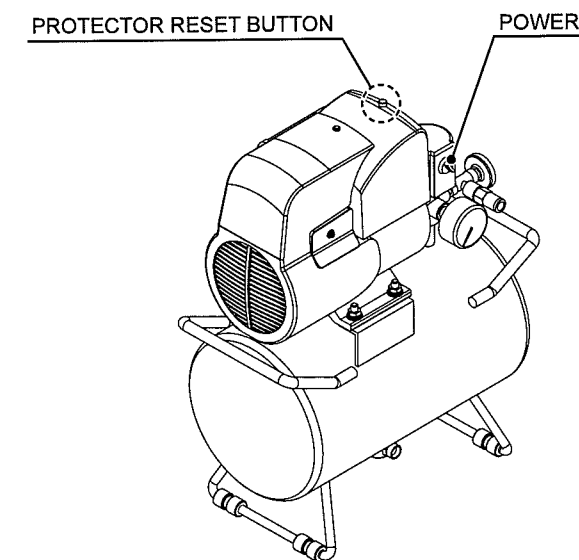
CIRCUIT PROTECTOR

Functions due to the activation of bimetal. To restore the function, wait for approximately one minute or longer until the bimetal cools off. (Press the button.)



THERMAL PROTECTOR

The thermal protector acts as a safeguard that prevents the electric motor in the compressor from burning. If the thermal protector is operating, turn off the compressor and wait roughly 5 minutes. Then press the protector reset button and reengage the power.



18-1 REPLACING THE START BUTTON SWITCH

⚠ WARNING

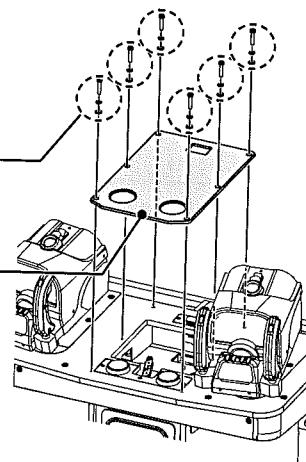
- When working with the product, be sure to turn the power off. Working with the power on may cause an electric shock or short circuit.
- Be careful not to damage the cables. Damaged cables may cause electric shock or short circuit or present a risk of fire.

1 Turn off the power to the cabinet.

2 Use an Allen wrench (with opposite side distance of 2.5 mm) to remove 6 low head hexagonal bolts and take out the control panel plate.

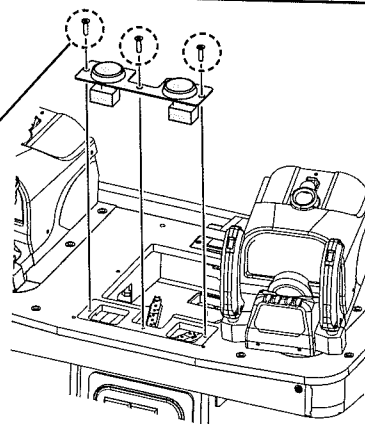
LOW HEAD HEXAGONAL BOLT (6), chrome
M4 x 25, flat & spring washers used

CONTROL PANEL PLATE



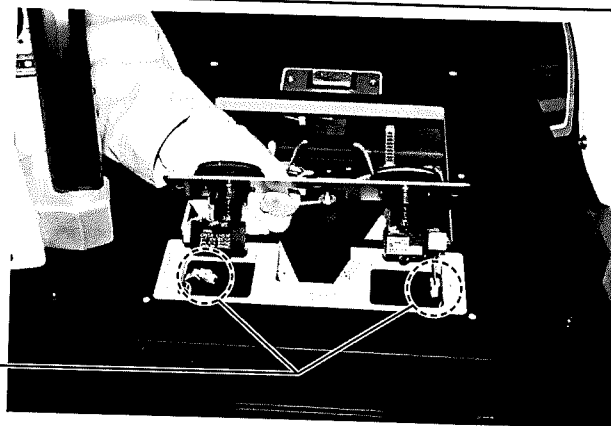
3 Remove 3 flat head screws from the start button plate.

FLAT HEAD SCREW (3)
M4 x 16

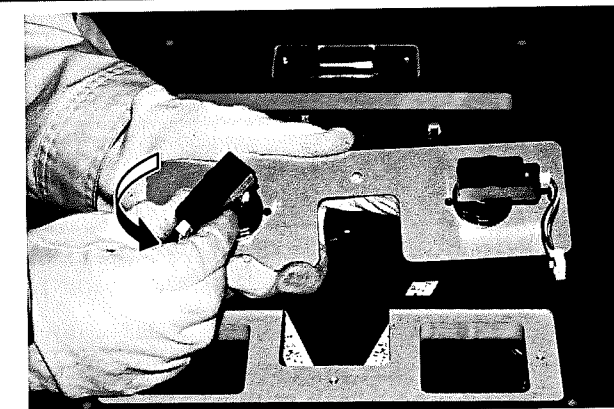


4 Turn the start button plate over and disconnect the 2 connectors.

CONNECTOR (2)
SM4P



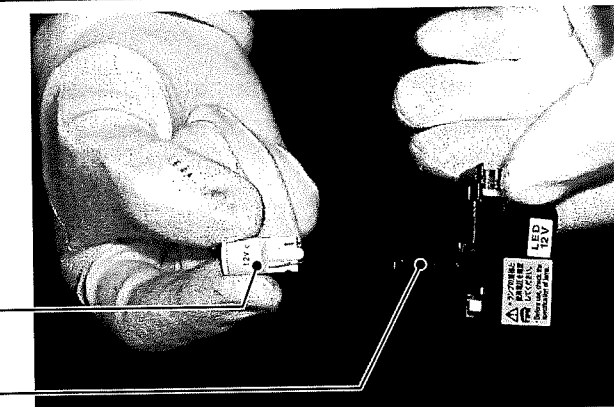
5 Hold both sides of the switch between your fingers and turn it counter-clockwise about 45 degrees to pull it out.



6 Pull the LED out of the switch. The LED will be used again, so check the direction of the "+" and "-" sides when pulling it out.

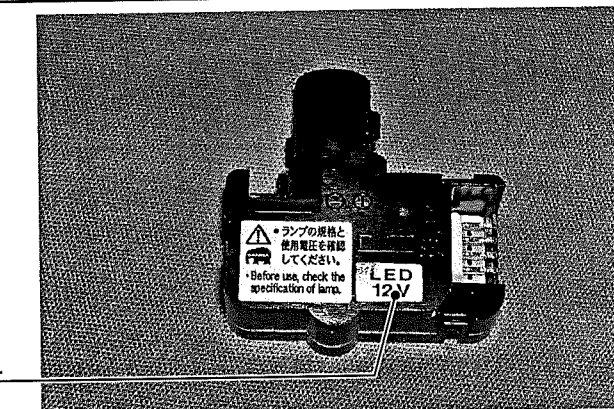
LED, white
DC12 V, 18 mA

SWITCH



7 Affix the sticker supplied with the switch lamp holder to the new switch lamp holder.

Affix the sticker.
421-12617-01



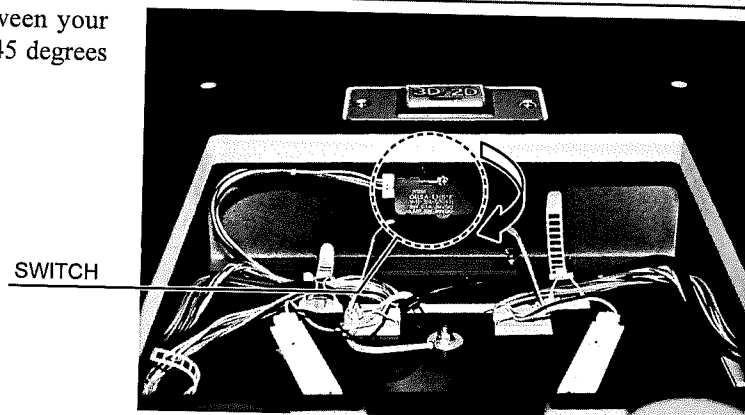
8 Insert the LED that was removed in Step 6 into the new switch. Check and confirm the "+" and "-" marks on the LED and attach it correctly.

9 Refer to Steps 2 through 5 and work in reverse order to attach the switch to the control panel plate.

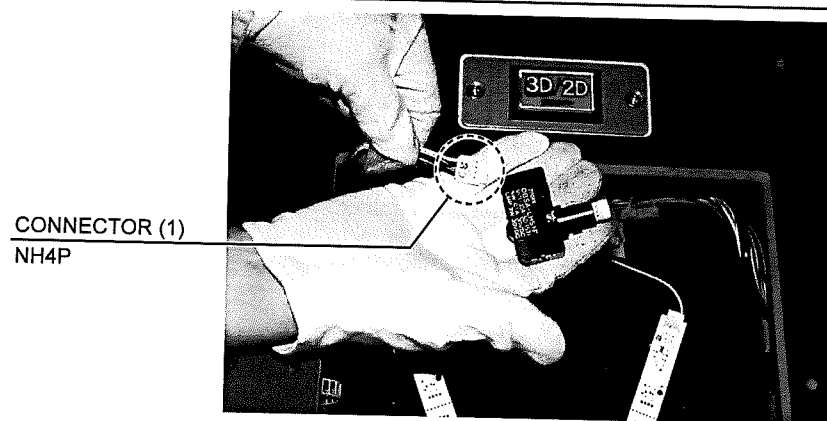
18-2 REPLACING THE 3D/2D BUTTON SWITCH

- 1 Turn off the power to the cabinet.
- 2 Refer to Step 2 of 18-1 "REPLACING THE START BUTTON SWITCH", take off the control panel plate.

- 3 Hold both sides of the switch between your fingers and turn it clockwise about 45 degrees to pull it out.



- 4 Disconnect the 1 connector.



- 5 Refer to Steps 6 through 8 of 18-1 "REPLACING THE START BUTTOPN SWITCH", replace the switch.

- 6 Refer to Steps 2 through 4 and work in reverse order to attach the new switch to the control panel plate.

19 RINGEDGE

⚠ WARNING

- When working with the product, be sure to turn the power off. Working with the power on may cause an electric shock or short circuit.
- Be careful not to damage the cables. Damaged cables may cause electric shock or short circuit or present a risk of fire.
- No connectors other than those connected on the RINGEDGE when first delivered can be used by this product. Do not connect any other cables to any of the unused connectors. This may lead to the generation of heat, smoke or burn outs.
- This work should be performed by site maintenance personnel or other skilled professionals. Work performed by non-technical personnel can cause a severe accident such as an electric shock.

⚠ CAUTION

When opening/closing or attaching or removing the doors or the other parts, be careful that your hand or finger does not get caught in anything.

STOP IMPORTANT

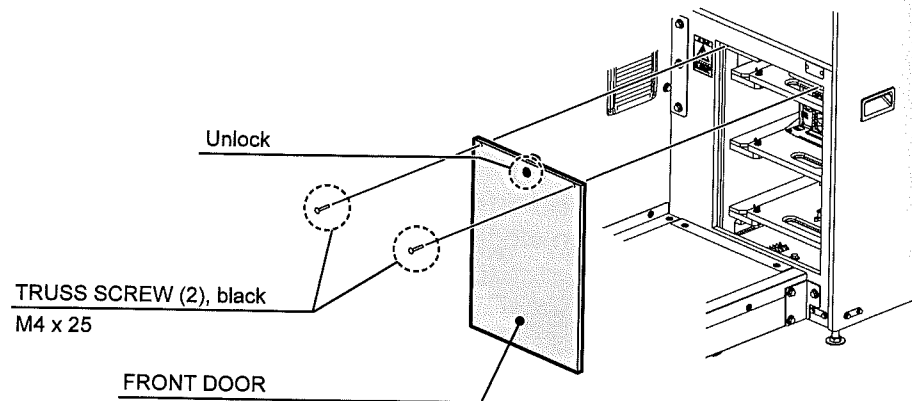
Static electricity from your body may damage some electronics devices on the IC board. Before handling the IC board, touch a grounded metallic surface so that the static electricity can be discharged.

19-1 REMOVING THE RINGEDGE

When replacing the RINGEDGE, ensure that you configure the DIP SW settings (See 19-3.) and install the software (See 6-11.).

1 Turn off the power to the cabinet.

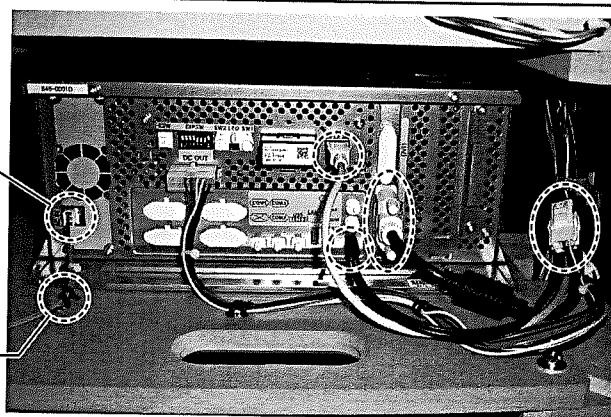
2 Remove the 2 truss screws, unlock the front door with the master key, and then take it off.



3 Remove the 5 connectors and 1 lug. When doing so, remove the DVI cable after first loosening its fastening screws.

CONNECTOR (5)
STEREO MINI PLUG, DVI, YL6P,
VH3P, JVS cable

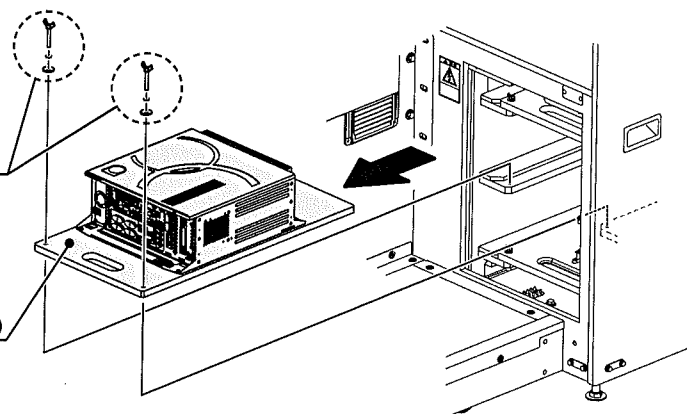
LUG



4 Remove the 2 wing bolts and pull out the base (wooden base). Be careful not to damage the cables when doing so.

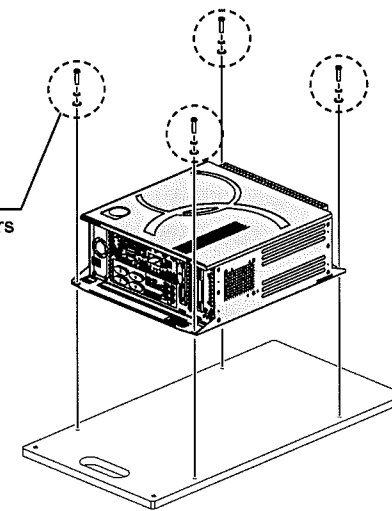
WING BOLT (2)
M4 x 30, large flat & spring washers used

BASE (WOODEN BASE)



5 Remove the 4 screws and take off the RINGEDGE.

SCREW (4)
M4 x 16, w/flat & spring washers



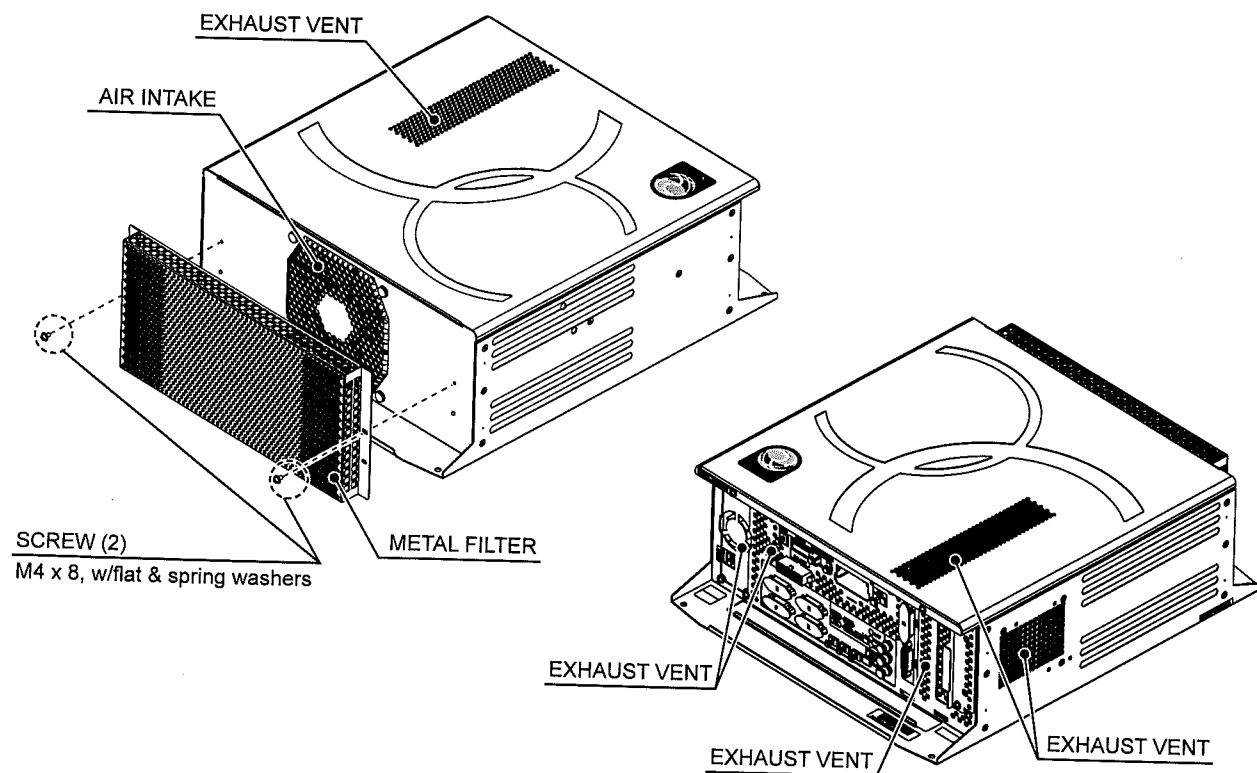
19-2 CLEANING THE RINGEDGE

STOP IMPORTANT

You should clean the RINGEDGE once per year, or when "Error 0090" or "Error 0091" appear. Dust building up within the RINGEDGE creates the risk of faults such as malfunctions.

Take the RINGEDGE off once a year and use a vacuum cleaner to clean the areas around the intake and exhaust vents and where it is attached to the cabinet.

- 1 Refer to 19-1 "REMOVING THE RINGEDGE" and take off the RINGEDGE from the cabinet.
- 2 Remove the 2 screws and take off the RINGEDGE metal filter. The screws are on the reverse side from the connector side.
- 3 Clean around the air vent of RINGEDGE with a vacuum cleaner.



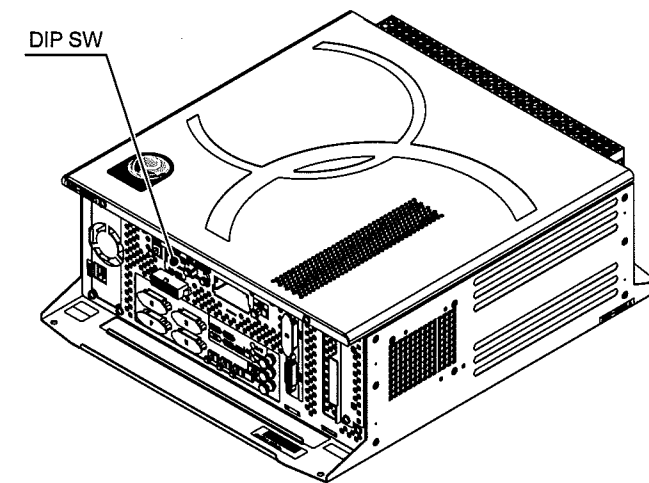
- 4 Clean around installment parts of RINGEDGE in the cabinet with a vacuum cleaner. Be careful not to damage the cables when doing so.
- 5 Refer to 19-1 "REMOVING THE RINGEDGE" and work in reverse order to attach the RINGEDGE.

19-3 COMPOSITION OF RINGEDGE

STOP IMPORTANT

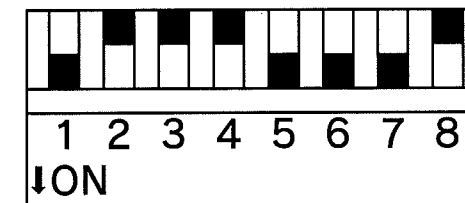
Use with the dip switches (DIP SW) on the board at the prescribed settings. If settings do not match the product, an error message will be displayed. In some cases, the game cannot be started.

ASSY CASE EDG W 1GB (846-0001D)



DIP SW SETTING

Use this product with the DIP SW settings shown in the figure below.



20 ERROR MESSAGE

⚠ WARNING

- If an error is displayed, have the site maintenance personnel or other qualified individuals resolve it. If someone without specialized or technical knowledge attempts to rectify the problem, electric shock, short circuits or fire may result. If there is no site maintenance personnel or other qualified individuals available, turn the power off immediately, and contact your point-of-purchase or the office listed in this manual.
- If problems other than those covered in this manual arise, or if no improvements can be noted after measures given in this manual have been taken, do not take measures indiscriminately. Cut off the power immediately and contact your point-of-purchase or the office listed in this manual. Indiscriminate countermeasures could lead to unforeseeable accidents. They could also result in permanent damages.

⚠ CAUTION

When attaching or removing doors, be careful that your hand or finger does not get caught in anything.

STOP IMPORTANT

- Static electricity from your body may damage some electronics devices on the IC board. Before handling the IC board, touch a grounded metallic surface so that the static electricity can be discharged.
- Do not repeatedly turn the power ON/OFF in a short period of time. Doing so may result in damage to individual parts as well as the product itself.

Below is a list of error messages that may be displayed during startup.

There are two kinds of error messages that are displayed for this game. They will either appear during gameplay or under "COMPRESSOR MAINTENANCE" while in GAME TEST MODE.

<DURING GAMEPLAY>

DISPLAY	Air has been stopped. Call an attendance.
CAUSE	The game has been operated for over 24 hours consecutively. For safety reasons, air jets operation stops automatically whenever the game is used constantly over a 24-hour period.
COUNTERMEASURE	Reengage the power while the message is shown on the screen. After the game starts up again, the message will disappear and air jets operation will function normally once more.

<GAME TEST MODE>

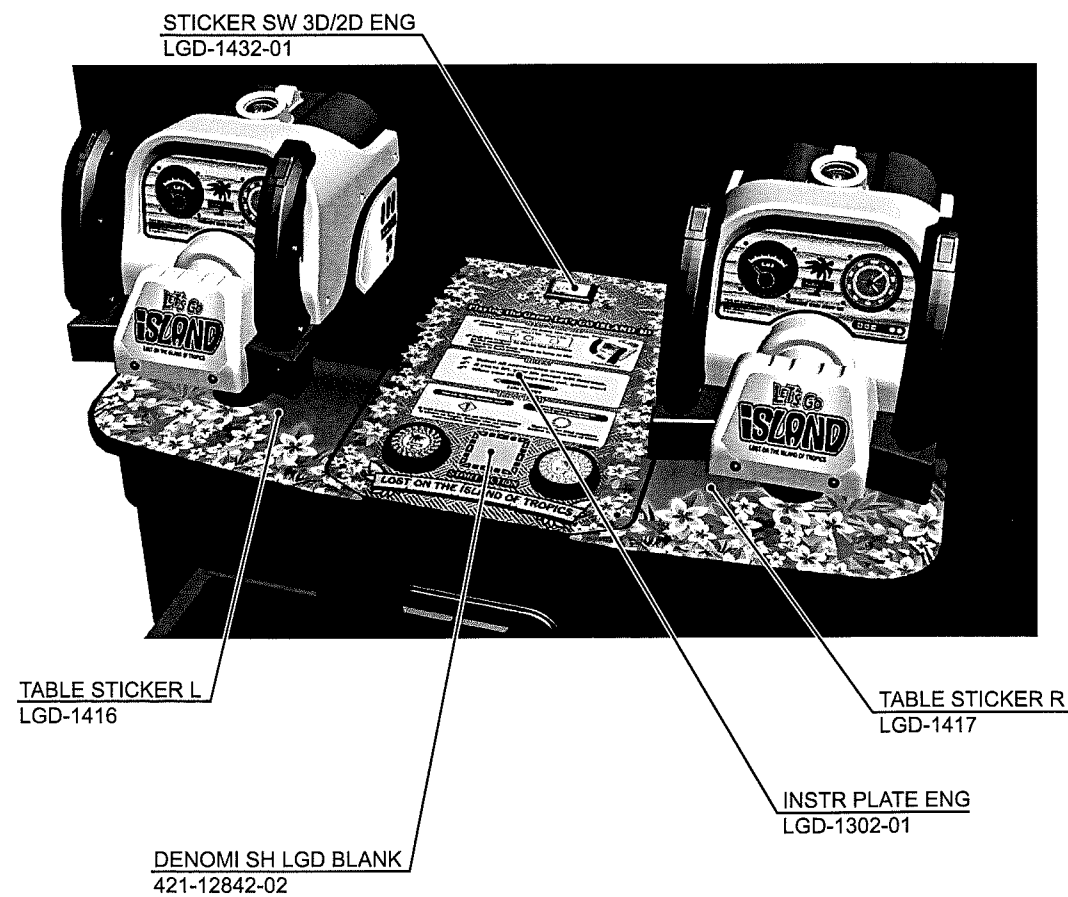
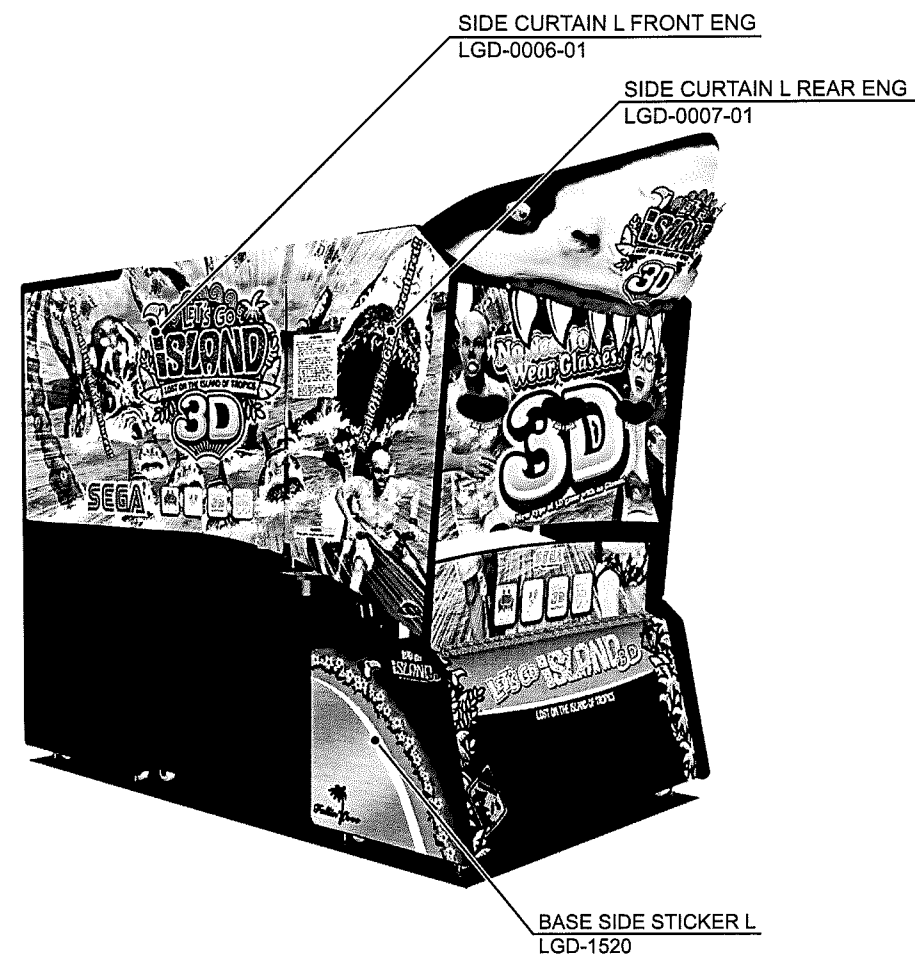
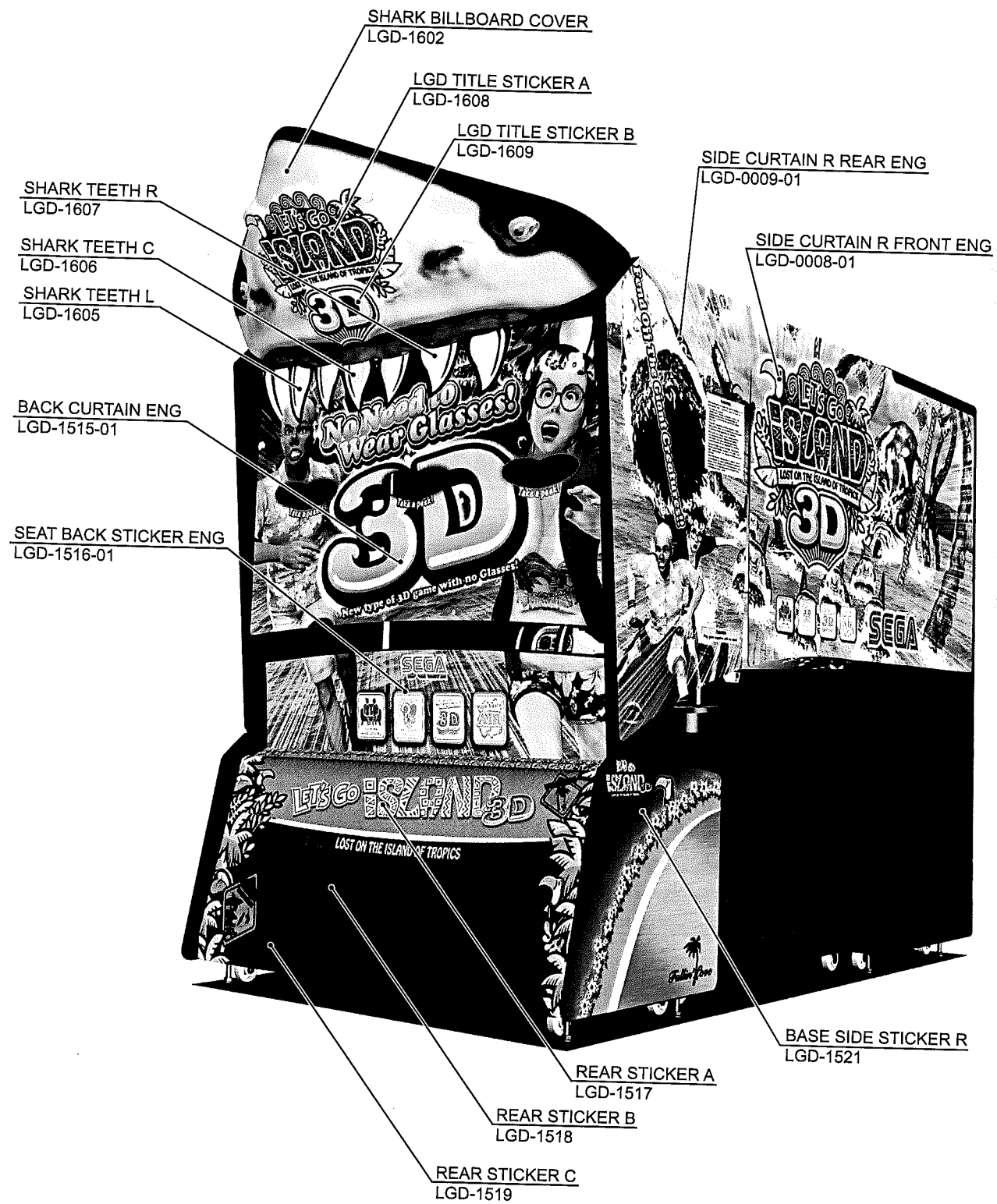
[COMPRESSOR MAINTENANCE]

DISPLAY	Timing of compressor maintenance. Turn off the power and maintain it according to manual.
CAUSE	"TIME TO NEXT MAINTENANCE" reached "0." This value represents the amount of time remaining until compressor maintenance is required.
COUNTERMEASURE	Perform compressor maintenance. Then select "MAINTENANCE TIMER RESET" in COMPRESSOR MAINTENANCE. The time remaining will be reset to 1,500 hours.

DISPLAY	Timing of compressor replacement. Turn off the power and replace it according to manual.
CAUSE	"TIME TO REPLACE THE COMPRESSOR" reached "0." This value represents the amount of time remaining until the compressor must be replaced.
COUNTERMEASURE	Replace the compressor. Then select "REPLACE TIMER RESET" in COMPRESSOR MAINTENANCE. The time remaining will be reset to 8,000 hours.

21 DESIGN RELATED PARTS

NOTE: The design related parts depend on area.



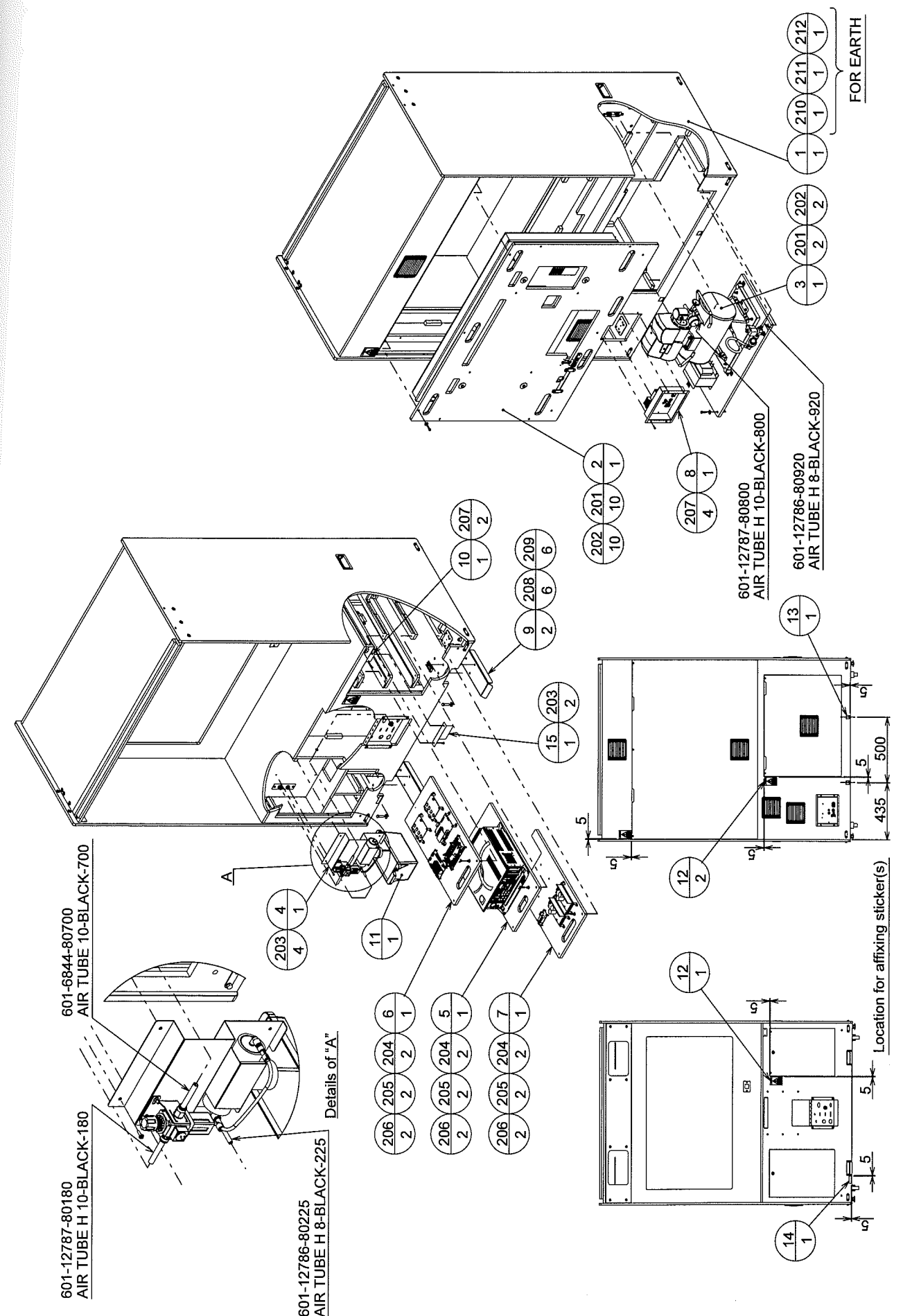
(1) TOP ASSY LGD

(D-2/2)

ITEM NO.	PART NO.	DESCRIPTION	NOTE
1	LGD-1000	ASSY LCD CABINET	
2	LGD-1300	ASSY CONTROLLER CABINET	
3	LGD-1500	ASSY SEAT CABINET	
4	LGD-1600	ASSY SHARK BILLBOARD	
5	LGD-0001	FLOOR JOINT BRKT L	
6	LGD-0002	FLOOR JOINT BRKT R	
7	LGD-0003	ROOF FRAME L	
8	LGD-0004	ROOF FRAME R	
9	LGD-0005	ROOF BOARD	
10	LGD-0006-01	SIDE CURTAIN L FRONT ENG	
11	LGD-0007-01	SIDE CURTAIN L REAR ENG	
12	LGD-0008-01	SIDE CURTAIN R FRONT ENG	
13	LGD-0009-01	SIDE CURTAIN R REAR ENG	
22	LGD-0010	FRONT VELCRO TAPE	
23	LGD-0011	REAR VELCRO TAPE	
201	030-000835-SB	HEX BLT BLK W/S M8x35	
202	068-852216-0B	FLT WSHR BLK 8.5-22x1.6	
203	030-000845-S	HEX BLT W/S M8x45	
204	030-000616-SB	HEX BLT W/S BLK M6x16	
205	030-000630-SB	HEX BLT BLK W/S M6x30	
206	068-652016-0B	FLT WSHR BLK 6.5-20x1.6	
207	000-T00416-0C	M SCR TH CRM M4x16	
208	068-441616-0C	FLT WSHR CRM 4.4-16x1.6	
209	060-F00400	FLT WSHR M4	
210	060-S00400	SPR WSHR M4	
211	050-H00400	HEX NUT M4	
212	0008-T00412-0B	TMP PRF SCR TH BLK M4x12	<Hong Kong, Taiwan> <Others>
301	600-6729-01	AC CABLE CONNECT TYPE 15A W/E	<Hong Kong, Taiwan>
	600-7326	AC CABLE CONNECT TYPE USA 15A	<US>
	600-6619-02	AC CABLE CONNECT TYPE FOR UK	<UK>
302	605-0157-100	WH RNG DC OUT DVD DRIVE 100CM	
401	220-5793-2-A001	KEY MASTER A001	
402	SGM-4111Y	KEY BAG	
403	220-5832	VOL B-5K RVQ24YN04 25F B502	
404	540-0006-01	WRENCH M4 TMP SCR	
405	420-7206	SERVICE MANUAL RINGEDGE	
406	420-7342	OWNERS MANUAL LGD	
407	421-12842-01	DENOMI SH LGD OPTION	
409	610-0816-0038	DVD SOFT KIT LGD J/E/S	
/	421-12170	STICKER RATING SUIT ALL	<US>
/	600-6619-02	AC CABLE CONNECT TYPE FOR UK	<Hong Kong, Taiwan>
/	LGD-1302-02	INSTR PLATE RUS	<UK>
/	421-9471	STICKER INDOOR USE ONLY	<UK, US>
/	421-12522-01	STICKER WEEE CE 15	<UK>

(2) LGD-1000 ASSY LCD CABINET

(D-1/2)



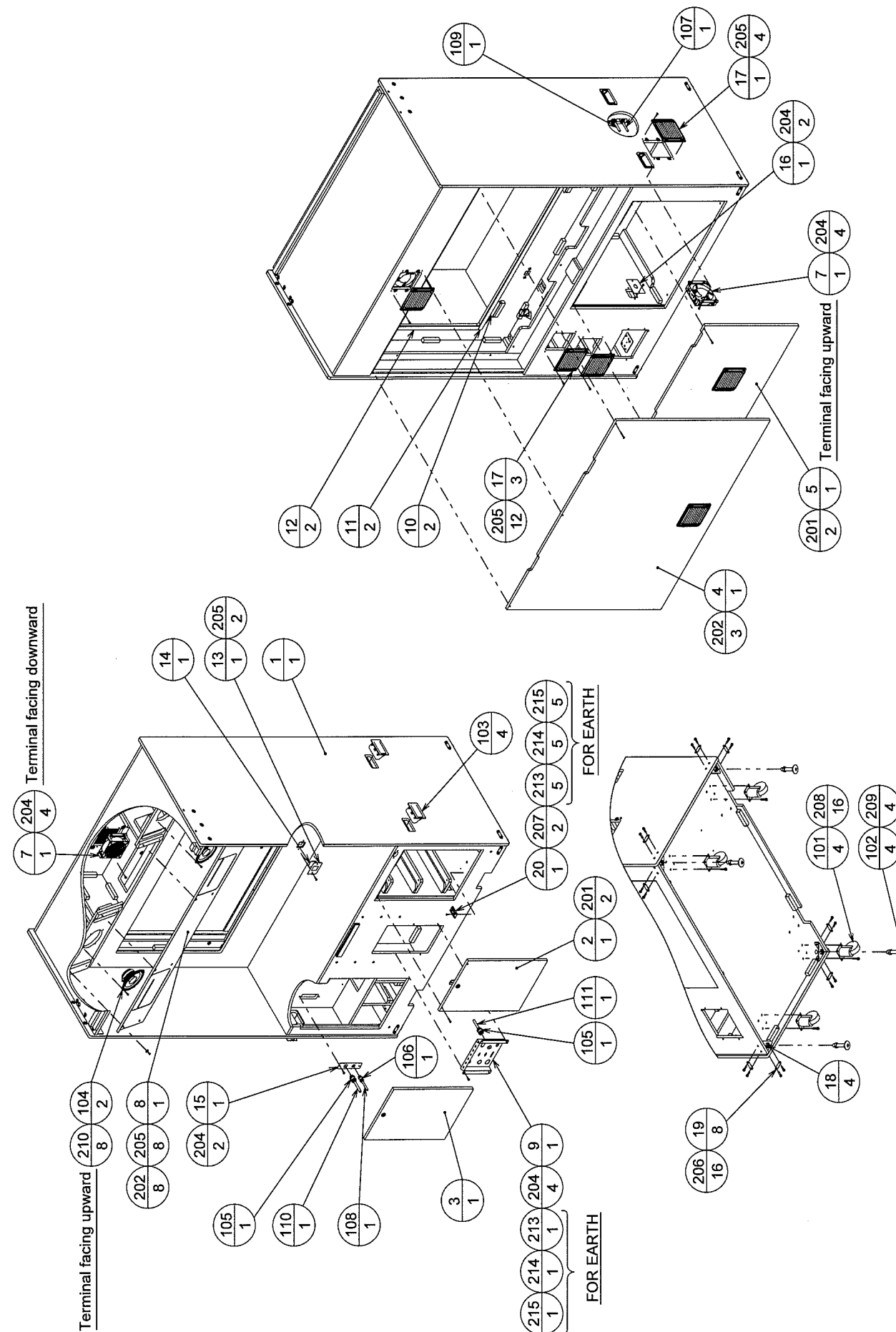
(2) LGD-1000
ASSY LCD CABINET

(D-2/2)

ITEM NO.	PART NO.	DESCRIPTION	NOTE
1	LGD-1050	ASSY SUB CABINET LCD	
2	LGD-1100-01	ASSY LCD 55	
3	LGD-1200	ASSY COMPRESSOR	<Hong Kong>
	LGD-1200-01	ASSYCOMPRESSOR FOR TA	<Taiwan>
		NOT USED	<Others>
4	LGD-1250	ASSY REGULATOR	<Hong Kong, Taiwan>
		NOT USED	<Others>
5	LGD-4000	ASSY MAIN ELEC	
6	LGD-4100	ASSY SUB ELEC	
7	LGD-4200-01	ASSY XFMR 110V	<Taiwan>
	LGD-4200-02	ASSY XFMR 120V	<US>
	LGD-4200-03	ASSY XFMR 220-240V	<Others>
8	HLT-1150	AC UNIT	
9	LGD-1001	JOINT FRAME	
10	LGI-1048	HOLE LID	
11	253-5417	CASH BOX LOW	<Hong Kong, Taiwan>
		NOT USED	<Others>
12	440-WS0002YEG	STICKER W POWER OFF ENG	
13	421-11416	STICKER CAUTION FORK	
15	LGD-1002	GUARD PLATE	
201	030-000635-S	HEX BLT W/S M6x35	
202	068-652016-0B	FLT WSHR BLK 6.5-20 x1.6	
203	000-P00416-W	M SCR PH W/FS M4x16	
204	032-000430	WING BLT M4x30	
205	068-441616	FLT WSHR 4.4-16x1.6	
206	060-S00400	SPR WSHR M4	
207	000-T00416-0B	M SCR TH BLK M4x16	
208	030-000835-S	HEX BLT W/S M8x35	
209	068-852216-0B	FLT WSHR BLK 8.5-22 x1.6	
210	060-F00400	FLT WSHR M4	
211	060-S00400	SPR WSHR M4	
212	050-H00400	HEX NUT M4	

(3) LGD-1050
ASSY SUB CABINET LCD

(D-1/3)



(3) LGD-1050
ASSY SUB CABINET LCD

(D-2/3)

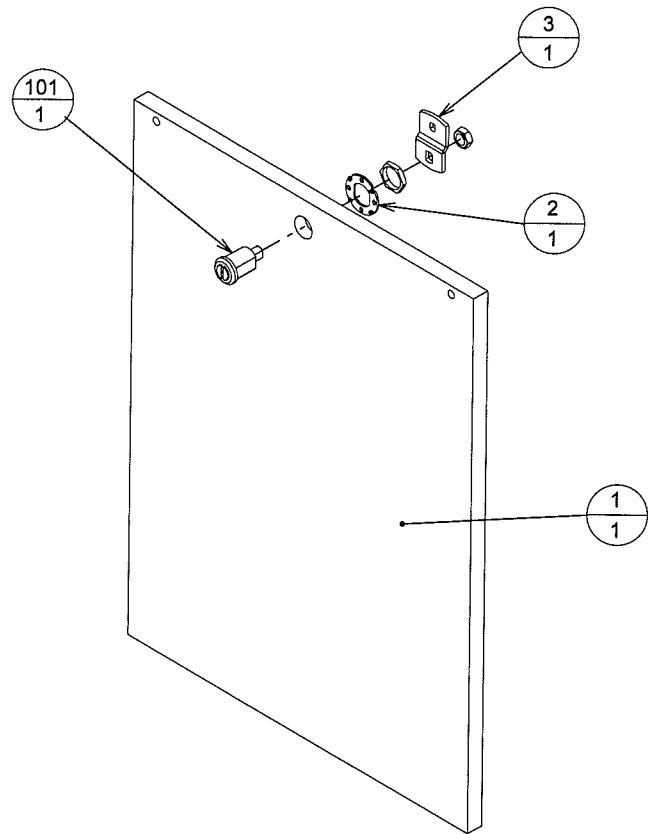
ITEM NO.	PART NO.	DESCRIPTION	NOTE
1	LGD-1051-01	LCD CABINET 55	
2	LGD-1070	ASSY ELEC DOOR	
3	LGD-1075	ASSY REGULATOR DOOR	
4	LGD-1080	ASSY LCD DOOR	
5	LGD-1085	ASSY COMPRESSOR DOOR	
7	610-0757-01	FAN UNIT	
8	LGD-1054X	SPEAKER NET	
9	LGD-1055	CONNECTOR PANEL	
10	LGD-1056	GLASS CUSHION	
11	LGD-1057-01	LCD CUSHION H 55	
12	LGD-1058-01	LCD CUSHION V 55	
13	LGD-1059	IR FILTER COVER	
14	LGD-1060	IR FILTER	
15	LGD-1061	UNION PANEL NOT USED	<Hong Kong, Taiwan> <Others>
16	LGD-1062	CONNECTOR PANEL FOR COMPR	<Hong Kong, Taiwan>
	LGD-1062-01	CONNECTOR PANEL FOR COMPR EXP	<Others>
17	253-5460-01	AIR VENT BLACK	
18	ARC-1006	LEG BRACKET	
19	117-5233-91	PLATE LEG BRACKET BLACK	
20	105-5639	EARTH PLATE	
101	601-8704	CASTER 75	
102	601-5699X	LEG ADJUSTER BOLT M16x75	
103	253-5396-91	CABINET HANDLE	
104	130-5290	SPEAKER 4OHM 25W 13 BLK	
105	601-12758	AIR JOINT 10-10 SMC KQ2E10-00 NOT USED	<Hong Kong, Taiwan> <Others>
106	601-12759	AIR JOINT 8-8 SMC KQ2E08-00 NOT USED	<Hong Kong, Taiwan> <Others>
107	601-12786-80920	AIR TUBE H 8-BLACK-920 NOT USED	<Hong Kong, Taiwan> <Others>
108	601-12786-80225	AIR TUBE H 8-BLACK-225 NOT USED	<Hong Kong, Taiwan> <Others>
109	601-12787-80800	AIR TUBE H 10-BLACK-800 NOT USED	<Hong Kong, Taiwan> <Others>
110	601-12787-80180	AIR TUBE H 10-BLACK-180 NOT USED	<Hong Kong, Taiwan> <Others>
111	601-6844-80700	AIR TUBE 10-BLACK-700 NOT USED	<Hong Kong, Taiwan> <Others>
112	280-0419	HARNESS LUG	
113	280-6676	CORD CLAMP TL-25A TTK	
114	280-5275-SR10	CORD CLAMP SR10	
	280-7881	CORD CLAMP SR10 CN	

(3) LGD-1050
ASSY SUB CABINET LCD

(D-3/3)

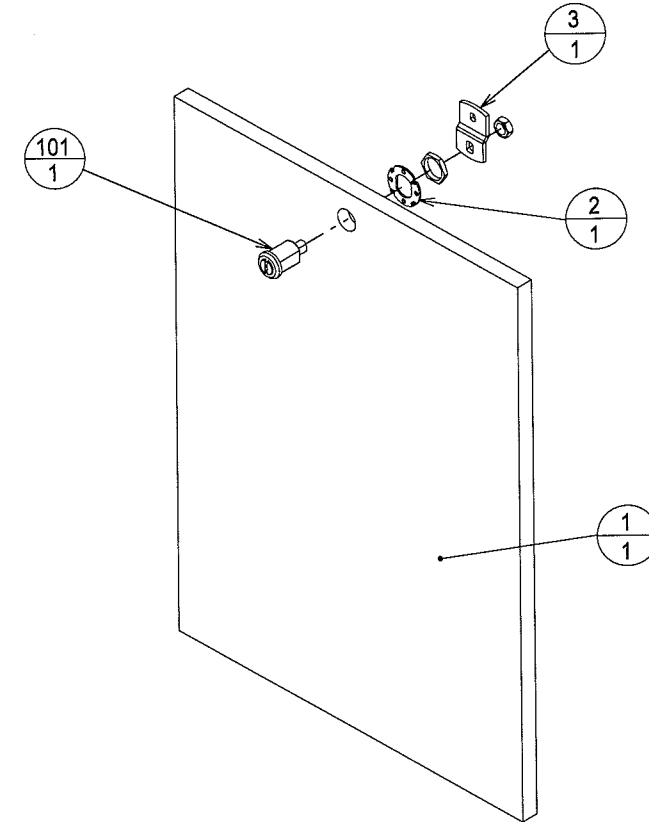
ITEM NO.	PART NO.	DESCRIPTION	NOTE
201	000-T00425-0B	M SCR TH BLK M4x25	
202	068-441616-0B	FLT WSHR BLK 4.4-16x1.6	
203	000-T00440-0B	M SCR TH BLK M4x40	
204	000-P00416-W	M SCR PH W/FS M4x16	
205	000-T00416-0B	M SCR TH BLK M4x16	
206	030-000625-WB	HEX BLT W/FS BLK M6x25	
207	011-T03512	TAP SCR TH 3.5x12	
208	030-000630-W	HEX BLT W/FS M6x30	
209	050-H01600-3	HEX NUT TYPE3 M16	
210	FAS-000263	M SCR PH W/SMALL FS BLK M4x16	
211	011-T03512	TAP SCR TH 3.5x12	
212	011-F00312	TAP SCR #1 FH 3x12	
213	060-F00400	FLT WSHR M4	
214	060-S00400	SPR WSHR M4	
215	050-H00400	HEX NUT M4	
301	LGD-6001	ASSY WIRE LCD CABI	<Hong Kong, Taiwan>
	LGD-6001-01	ASSY WIRE LCD CABI US	<US>
	LGD-6001-02	ASSY WIRE LCD CABI UK	<UK>
302	LGD-6006	ASSY WIRE LCD CABI AC	<Hong Kong, Taiwan>
	LGD-6006-01	ASSY WIRE LCD CABI AC ENG	<Others>
303	LGD-60006X	WH DC24V AMP POWER CABI	
304	LGD-60007	WH DC24V SOLENOID POWER CABI	
306	LGD-60023	WH SOUND LCD CABI	
308	600-7141-91-100	CABLE JVS TYPE A-B 100CM	
309	600-7353-912000	ASSY CA DVI-D 2000MM	
310	600-7919-100	CBL AUD RCA TO MINI PLUG 100CM	
311	600-7905	CABLE AC OUTLET-VL3P	
312	600-6972-1000	WIRE HARN EARTH ID5 1000MM	

(4) LGD-1070
ASSY ELEC DOOR



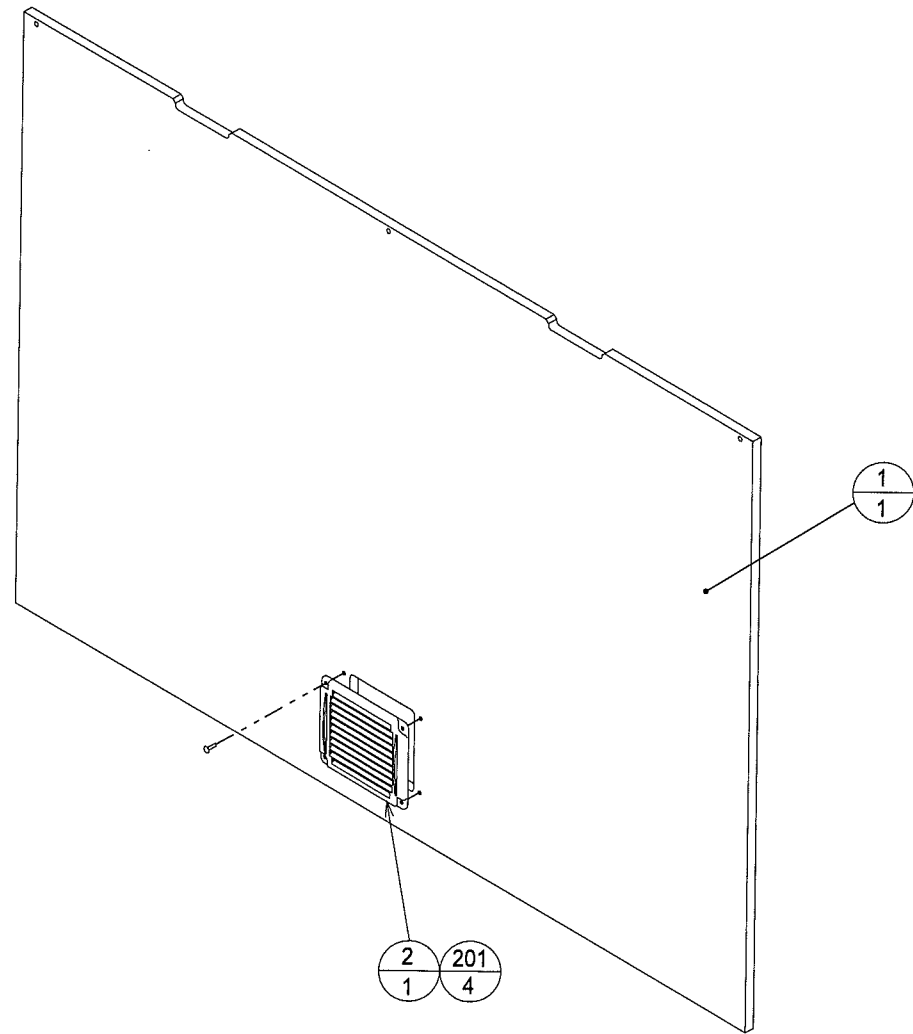
ITEM NO.	PART NO.	DESCRIPTION	NOTE
1	LGD-1071	ELEC DOOR	
2	117-0062	PLATE LOCK RETAINER	
3	DP-1148X	LKG TNG	
101	220-5793-1-A001	CLY LOCK MASTER W/O KEY A001	

(5) LGD-1075
ASSY REGULATOR DOOR



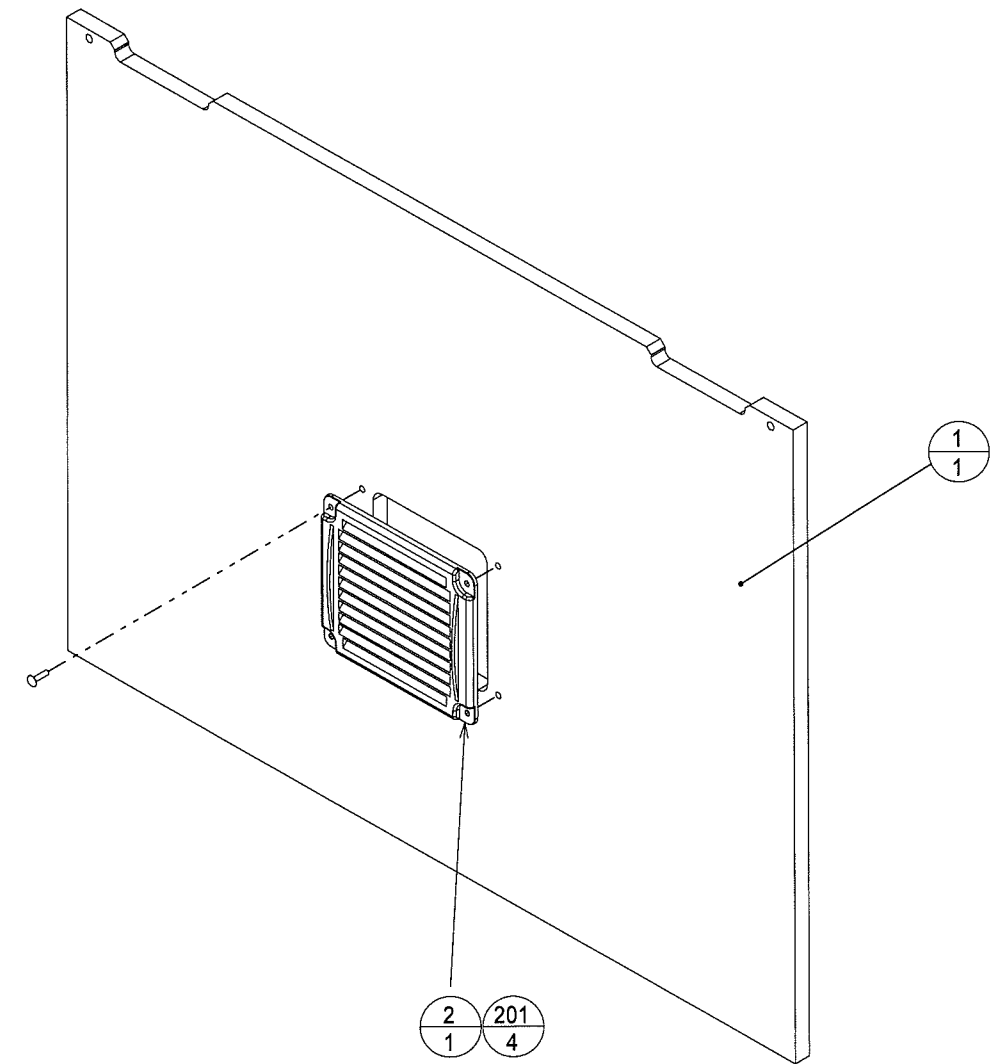
ITEM NO.	PART NO.	DESCRIPTION	NOTE
1	LGD-1076	REGULATOR DOOR	
2	117-0062	PLATE LOCK RETAINER	
3	DP-1148X	LKG TNG	
101	220-5793-1-A001	CLY LOCK MASTER W/O KEY A001	

(6) LGD-1080
ASSY LCD DOOR



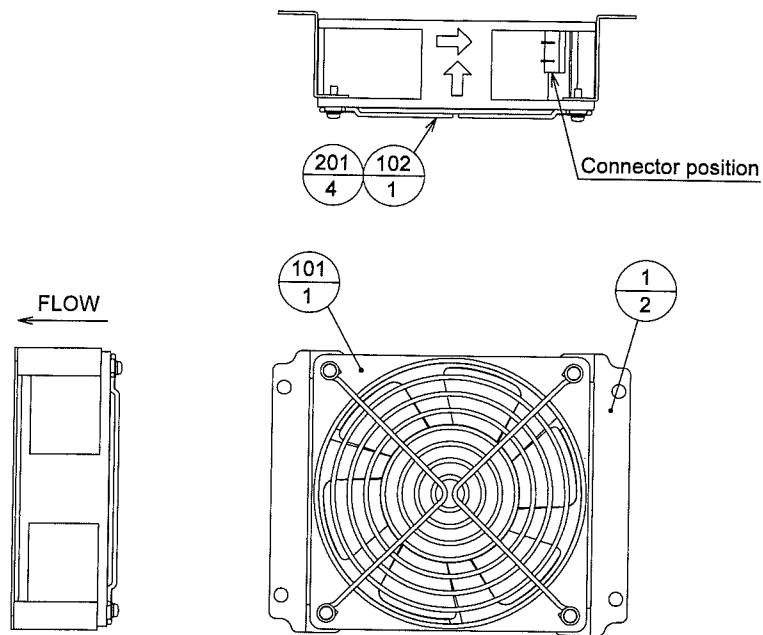
ITEM NO.	PART NO.	DESCRIPTION	NOTE
1	LGD-1081	LCD DOOR	
2	253-5460-01	AIR VENT BLACK	
201	000-T00416-0B	M SCR TH BLK M4x16	

(7) LGD-1085
ASSY COMPRESSOR DOOR



ITEM NO.	PART NO.	DESCRIPTION	NOTE
1	LGD-1086	COMPRESSOR DOOR	
2	253-5460-01	AIR VENT BLACK	
201	000-T00416-0B	M SCR TH BLK M4x16	

(8) 610-0757-01
FAN UNIT



NOTE: 1. Use thread sealant on screw components.
2. This figure shows a different combination than that used by 610-0757.

ITEM NO.	PART NO.	DESCRIPTION	NOTE
1	105-5561-91	FAN BRKT	
101	260-0011-03-91	AXIAL FLOW FAN AC100V 50-60HZ	
102	601-8543	FAN GUARD	
201	000-P00312-W	M SCR PH W/FS M3x12	

(9) LGD-6001
ASSY WIRE LCD CABI <Hong Kong, Taiwan>

This is comprised of the following wire harness. ASSY drawing is not available.

ITEM NO.	PART NO.	DESCRIPTION	NOTE
101	601-0460	PLASTIC TIE BELT 100 M/M	
303	LGD-60010	WH DC RING OUT CABI	
304	LGD-60024	WH ACTION SW LCD CABI	
305	LGD-60025	WH LED LCD CABI	
306	LGD-60026	WH SW UNIT LCD CABI	
307	LGD-60027	WH COIN LCD CABI	
308	LGD-60028	WH WOOFER LCD CABI	
309	LGD-60030	WH CONTROL 1P LCD CABI	
310	LGD-60031	WH CONTROL 2P LCD CABI	

**(9) LGD-6001-01
ASSY WIRE LCD CABI US <US>**

This is comprised of the following wire harness. ASSY drawing is not available.

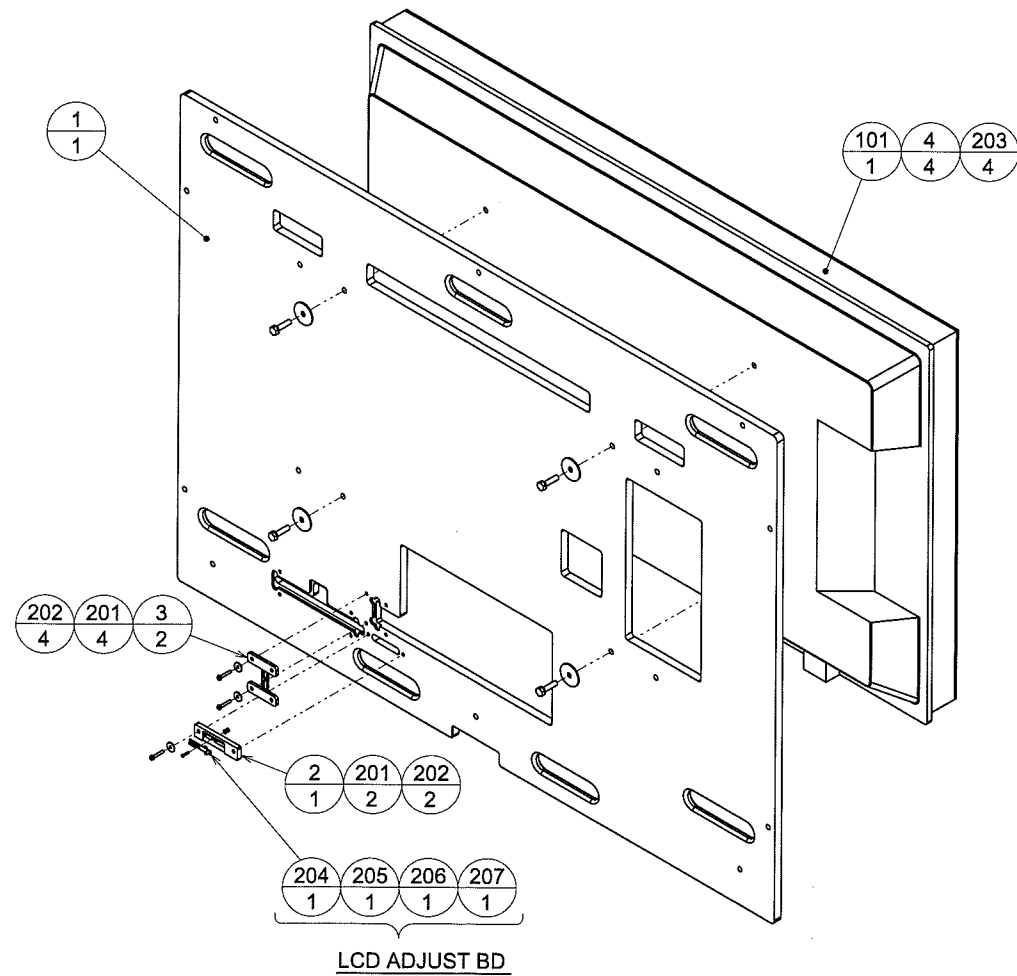
ITEM NO.	PART NO.	DESCRIPTION	NOTE
101	601-0460	PLASTIC TIE BELT 100 M/M	
301	LGD-60010	WH DC RING OUT CABI	
302	LGD-60024	WH ACTION SW LCD CABI	
303	LGD-60025	WH LED LCD CABI	
304	LGD-60026	WH SW UNIT LCD CABI	
305	LGD-60027-01	WH COIN LCD CABI US	
306	LGD-60028	WH WOOFER LCD CABI	
307	LGD-60030	WH CONTROL 1P LCD CABI	
308	LGD-60031	WH CONTROL 2P LCD CABI	

**(9) LGD-6001-02
ASSY WIRE LCD CABI UK <UK>**

This is comprised of the following wire harness. ASSY drawing is not available.

ITEM NO.	PART NO.	DESCRIPTION	NOTE
101	601-0460	PLASTIC TIE BELT 100 M/M	
301	LGD-60010	WH DC RING OUT CABI	
302	LGD-60024	WH ACTION SW LCD CABI	
303	LGD-60025	WH LED LCD CABI	
304	LGD-60026	WH SW UNIT LCD CABI	
305	LGD-60027-02	WH COIN LCD CABI UK	
306	LGD-60028	WH WOOFER LCD CABI	
307	LGD-60030	WH CONTROL 1P LCD CABI	
308	LGD-60031	WH CONTROL 2P LCD CABI	

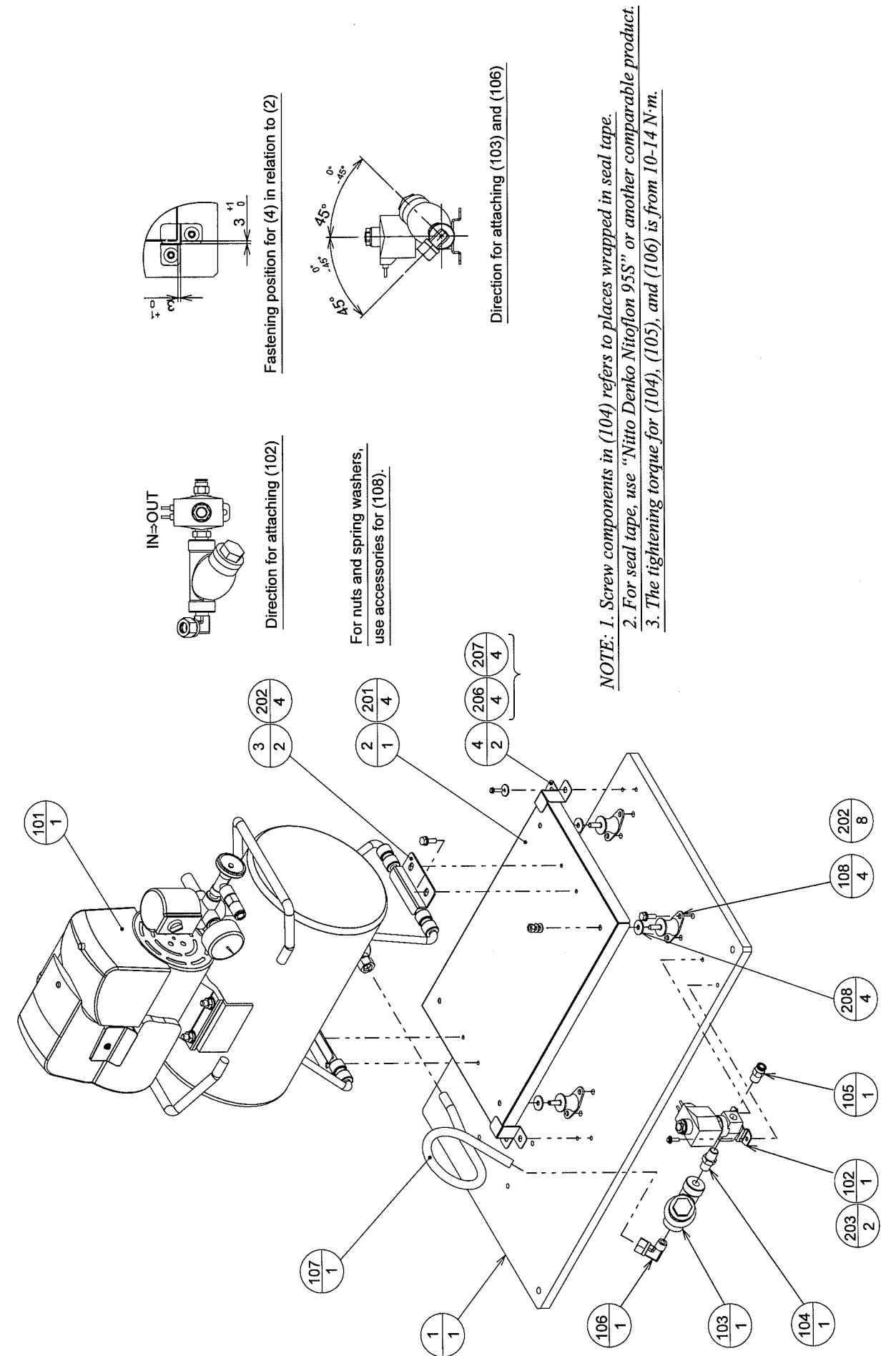
(10) LGD-1100-01
ASSY LCD 55



ITEM NO.	PART NO.	DESCRIPTION	NOTE
1	LGD-1101X	LCD BASE	
2	LGD-1102X	LCD ADJUST BD BLOCK	
3	LGD-1103X	LCD ADJUST BD STOPPER	
4	LGD-1104	FLT WSHR 8.5-40x2.0	
101	200-6199	LCD DSPL 55 TYPE 3	
201	000-P00425-S	M SCR PH W/S M4x25	
202	068-441616	FLT WSHR 4.4-16x1.6	
203	030-000830-S	HEX BLT W/S M8x30	
204	000-P02612	M SCR PH M2.6x12	
205	060-F02600	FLT WASHER M2.6	
206	060-S02600	SPR WSHR M2.6	
207	050-H02600	HEX NUT M2.6	

(11) LGD-1200
ASSY COMPRESSOR <Hong Kong>

(D-1/2)



(11) LGD-1200

ASSY COMPRESSOR <Hong Kong>

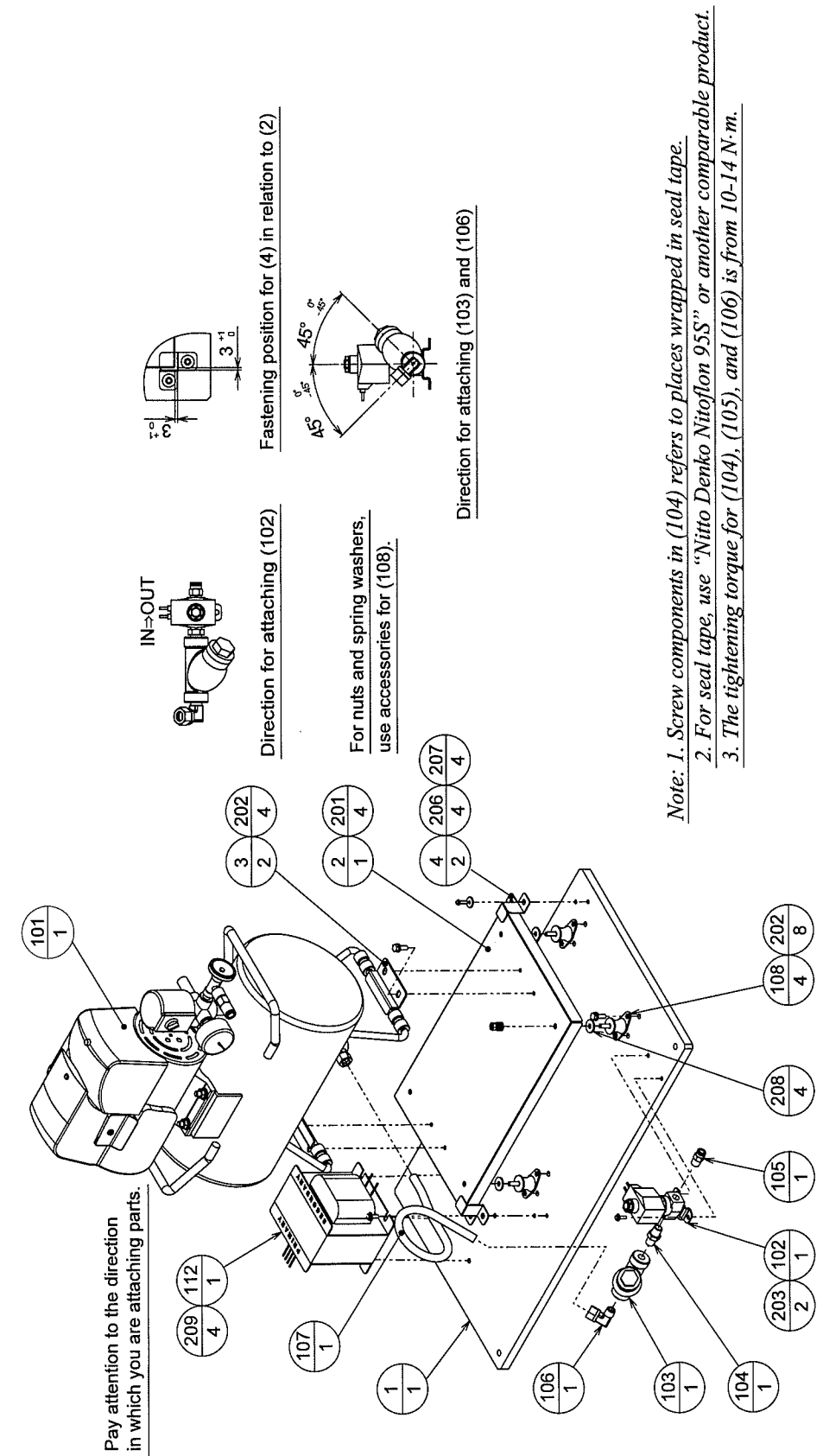
(D-2/2)

ITEM NO.	PART NO.	DESCRIPTION	NOTE
1	LGD-1201X	COMPRESSOR BASE	
2	LGD-1202X	COMPRESSOR TRAY	
3	LGD-1203	COMPRESSOR HOLDER	
4	LGD-1204	COMPRESSOR STOPPER	
101	601-12732	COMPRESSOR LE 0.2KW	
102	601-12742	VALVE CKD AB42-02-2-0B-AC100V	
103	601-12672	STRAINER WASINO YS1/4B RC100	
104	601-12762	WATER COUPLING	
105	601-12763	AIR JOINT HALF SMC KQ2H08-02S	
106	601-12674	AIR JOINT ELBOW AOI ML-2122	
107	601-12788-80450	AIR TUBE H 12-BLACK-450	
108	601-12771	RUBBER DAMPER KXB-25-25H	
109	280-6676	CORD CLAMP TL-25A TTK	
111	209-0032-91	CONN CLOSED END	
201	060-F00600	FLT WSHR M6	
202	030-000616-W	HEX BLT W/FS M6x16	
203	000-P00416-W	M SCR PH W/FS M4x16	
204	011-F00312	TAP SCR #1 FH 3x12	
205	011-T03512	TAP SCR TH 3.5x12	
206	000-P00416-S	M SCR PH W/S M4x16	
207	068-441616	FLT WSHR 4.4-16x1.6	
208	068-652220	FLT WSHR 6.5-22x2.0	
301	LGD-60013	WH AC COMPRESSOR	

(11) LGD-1200-01

ASSY COMPRESSOR FOR TA <Taiwan>

(D-1/2)



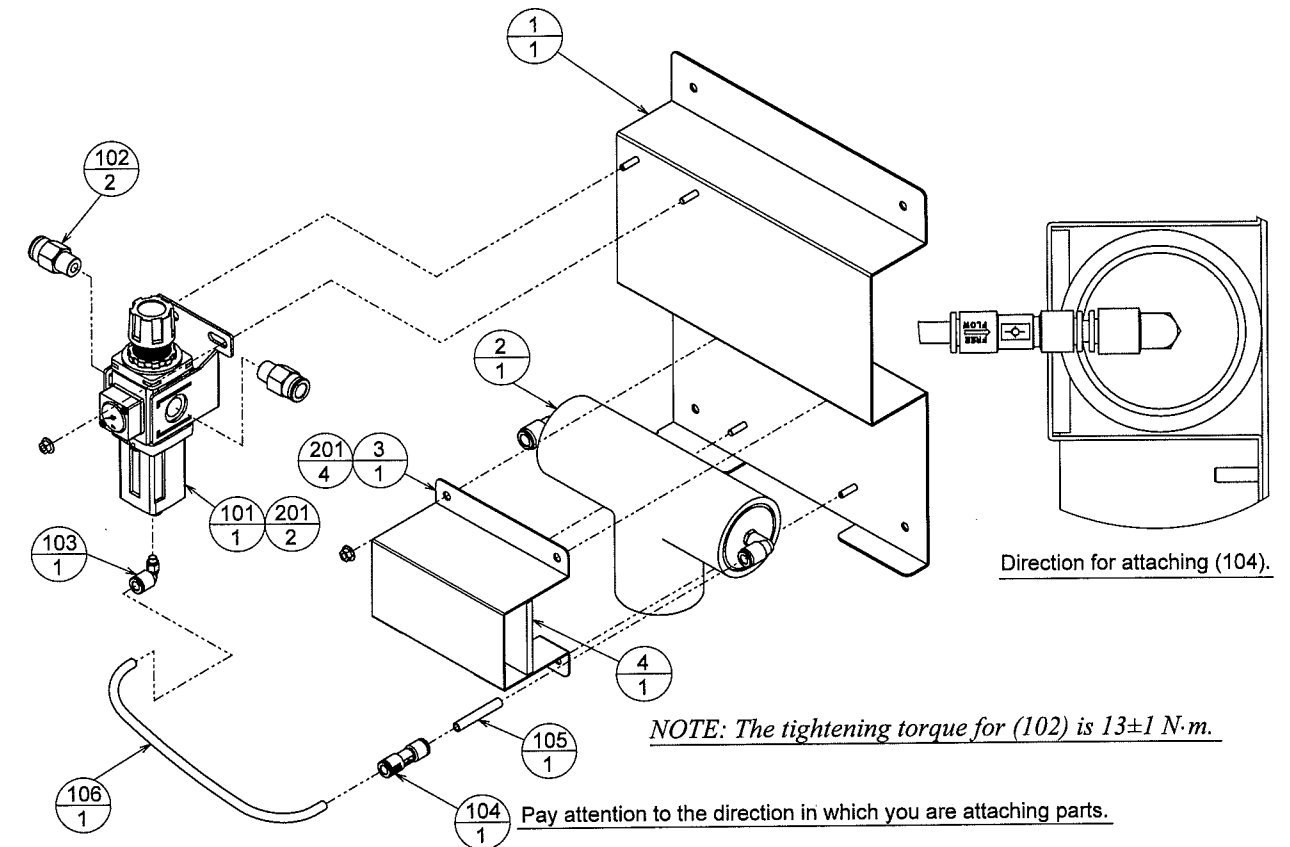
Note: 1. Screw components in (104) refers to places wrapped in seal tape.
 2. For seal tape, use "Nitto Denko Nitoflon 95S" or another comparable product.
 3. The tightening torque for (104), (105), and (106) is from 10-14 N·m.

(11) LGD-1200-01
ASSY COMPRESSOR FOR TA <Taiwan>

(D-2/2)

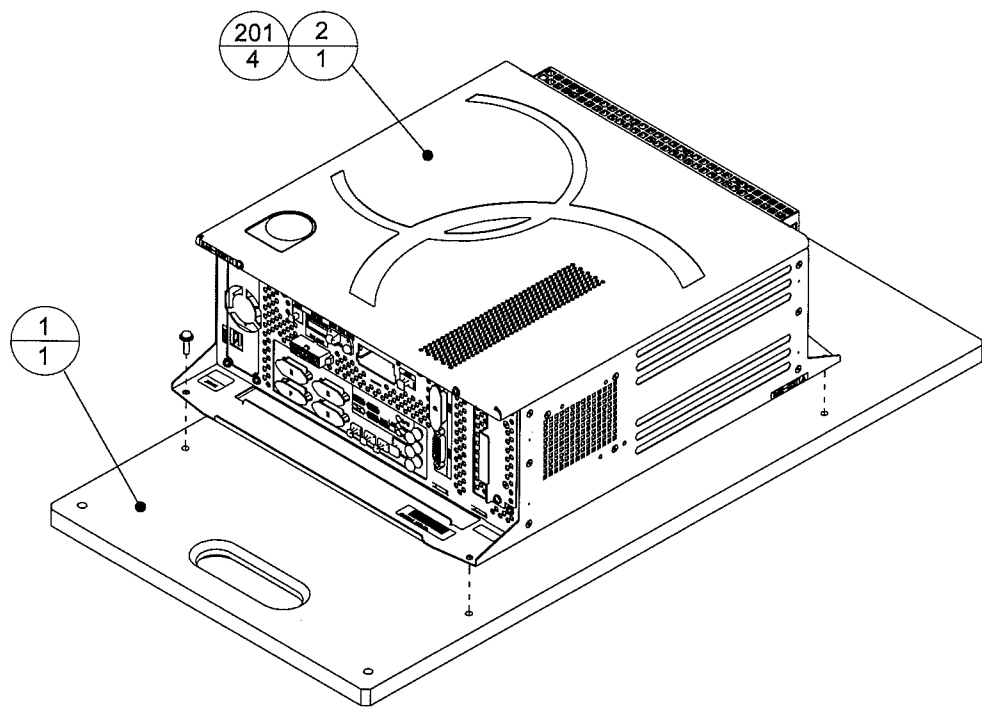
ITEM NO.	PART NO.	DESCRIPTION	NOTE
1	LGD-1201X	COMPRESSOR BASE	
2	LGD-1202X	COMPRESSOR TRAY	
3	LGD-1203	COMPRESSOR HOLDER	
4	LGD-1204	COMPRESSOR STOPPER	
101	601-12732	COMPRESSOR LE 0.2KW	
102	601-12742	VALVE CKD AB42-02-2-0B-AC100V	
103	601-12672	STRAINER WASINO YS1/4B RC100	
104	601-12762	WATER COUPLING	
105	601-12763	AIR JOINT HALF SMC KQ2H08-02S	
106	601-12674	AIR JOINT ELBOW AOI ML-2122	
107	601-12788-80450	AIR TUBE H 12-BLACK-450	
108	601-12771	RUBBER DAMPER KXB-25-25H	
109	280-6676	CORD CLAMP TL-25A TTK	
	280-5009-02-91	CORD CLAMP 21 CN	
110	280-0419	HARNESS LUG	
111	209-0032-91	CONN CLOSED END	
112	560-5605	XFMR 80-100V 100V 3A EI LGD	
201	060-F00600	FLT WSHR M6	
202	030-000616-W	HEX BLT W/FS M6x16	
203	000-P00416-W	M SCR PH W/FS M4x16	
204	011-F00312	TAP SCR #1 FH 3x12	
205	011-T03512	TAP SCR TH 3.5x12	
206	000-P00416-S	M SCR PH W/S M4x16	
207	068-441616	FLT WSHR 4.4-16x1.6	
208	068-652220	FLT WSHR 6.5-22x2.0	
209	000-P00516-W	M SCR PH W/FS M5x16	
301	LGD-60048	WH AC VALVE END CONN	
302	LGD-60050	WH AC XFMR IN COMP TA	
303	LGD-60052	WH AC XFMR OUT COMP TA	

(12) LGD-1250
ASSY REGULATOR <Hong Kong ,Taiwan>



ITEM NO.	PART NO.	DESCRIPTION	NOTE
1	LGD-1251	REGULATOR BRKT	
2	LGD-1252	AIR REDUCER	
3	LGD-1253	AIR REDUCER BRKT	
4	LGD-1254	AIR REDUCER SPONGE	
101	601-12733	REGULATOR CKD W1000-8-W-F1-BW	
102	601-12760	AIR JOINT HALF SMC KQ2H10-02S	
103	601-12761	AIR JOINT ELBOW SMC KQ2L06-M5	
104	601-12773	CHECK VALVE 6-6 SMC AKH06-00	
105	601-12774	AIR JOINT 6-6 SMC KQ2N06-99	
106	601-6843-80220	AIR TUBE 6-BLACK-220	
201	050-F00400	FLG NUT M4	

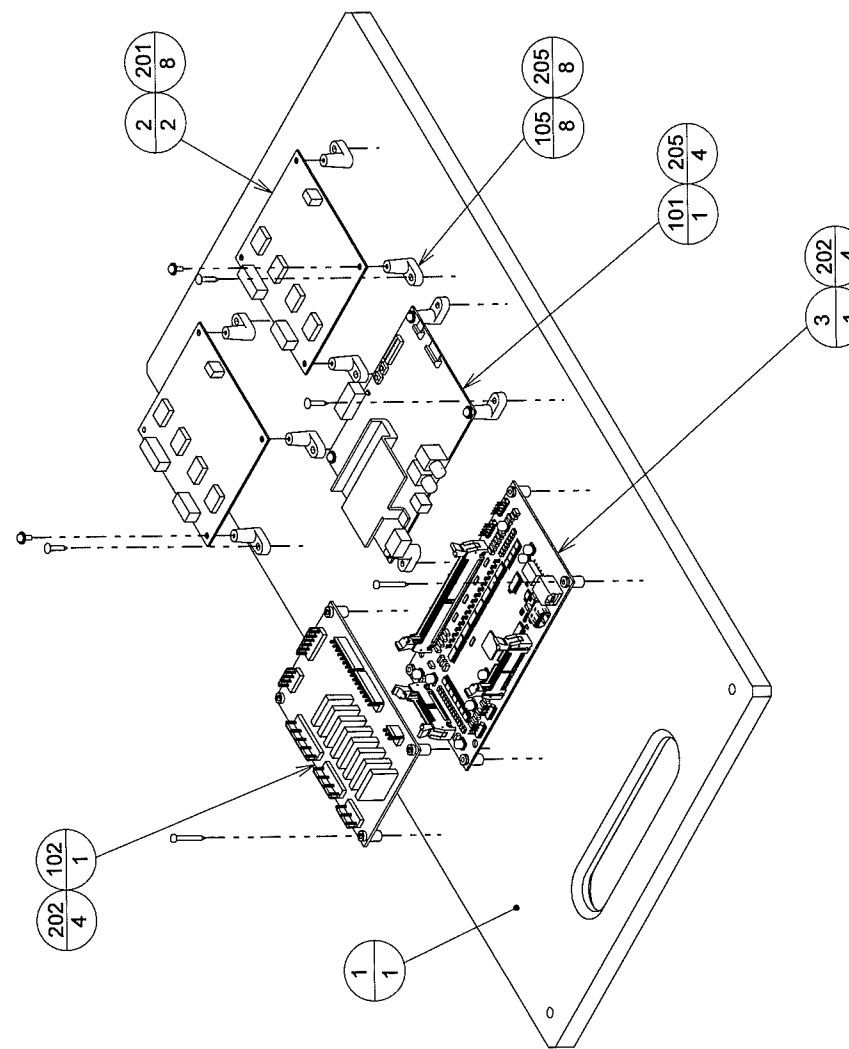
(13) LGD-4000
ASSY MAIN ELEC



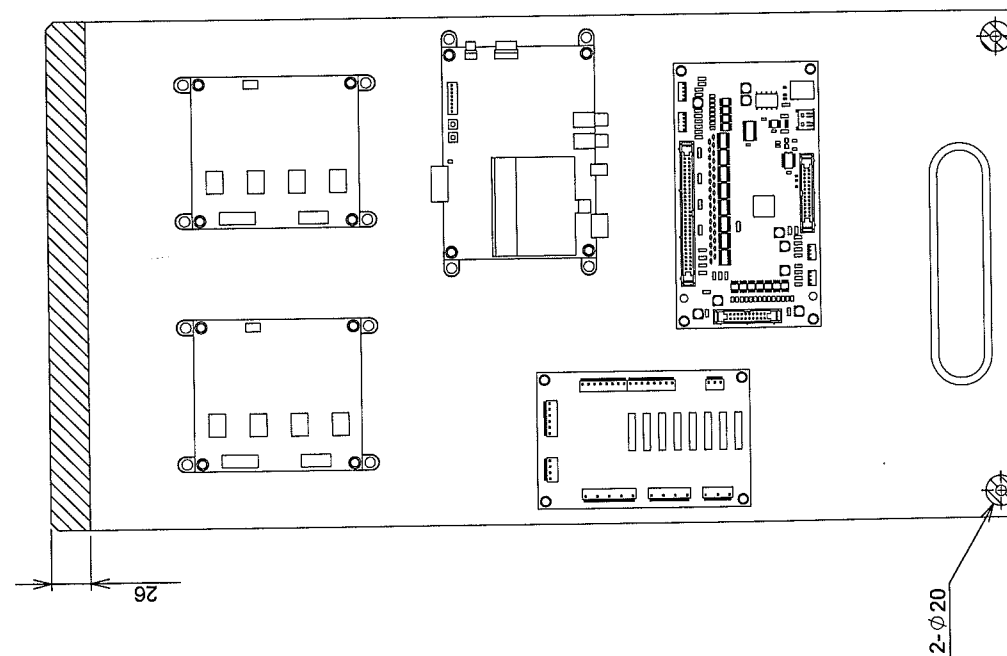
ITEM NO.	PART NO.	DESCRIPTION	NOTE
1	LGD-4001	MAIN ELEC BASE	
2	846-0001D-01	ASSY CASE EDG W 1GB USA	<US>
	846-0001D-02	ASSY CASE EDG 1GB EXP	<Others>
101	280-0419	HARNESS LUG	
201	000-P00416-W	M SCR PH W/FS M4x16	
202	011-T03512	TAP SCR TH 3.5x12	
301	LGD-60014	WH AC RING OUT	

(14) LGD-4100
ASSY SUB ELEC

(D-1/2)



NOTE: Wiring prohibited in shaded areas in the diagram.



**(14) LGD-4100
ASSY SUB ELEC****(D-2/2)**

ITEM NO.	PART NO.	DESCRIPTION	NOTE
1	LGD-4101	SUB ELEC BASE	
2	838-1285R02-93	ROTARY SOLENOID DRIVE BD LGI	
3	837-14572	I/O CONTROL BD 3 FOR JVS COM	
101	838-14515-A10	SOUND AMP ANALOG IN	
102	838-14411R08	SSR BD 8EA NOT USED	<Hong Kong, Taiwan> <Others>
103	280-6676	CORD CLAMP TL-25A TTK	
104	280-0419	HARNESS LUG	
105	280-6681	L-LOCK LT-320PCG	
201	000-P00308-W	M SCR PH W/FS M3x8	
202	011-P00325	TAP SCR PH 3x25	
203	011-F00312	TAP SCR #1 FH 3x12	
204	011-T03512	TAP SCR TH 3.5x12	
205	011-T03516	TAP SCR TH 3.5x16	
301	LGD-60021	WH AC SSR IN NOT USED	<Hong Kong, Taiwan> <Others>
302	LGD-6003 LGD-6003-01	ASSY WIRE DC SUB ELEC ASSY WIRE DC SUB ELEC ENG	<Hong Kong, Taiwan> <Others>
303	LGD-60022	WH AC SSR OUT NOT USED	<Hong Kong, Taiwan> <Others>

**(15) LGD-6003X
ASSY WIRE DC SUB ELEC <Hong Kong, Taiwan>**

This is comprised of the following wire harness. ASSY drawing is not available.

ITEM NO.	PART NO.	DESCRIPTION	NOTE
101	601-0460	PLASTIC TIE BELT 100 M/M	
301	LGD-60015	WH DC24V AMP POWER IN	
302	LGD-60016	WH AMP SOUND OUT	
303	LGD-60017	WH AMP WOOFER OUT	
304	LGD-60018	WH DC24V SOLENOID POWER IN	
305	LGD-60019	WH DC I/O BD IN	
306	LGD-60020	WH I/O BD	

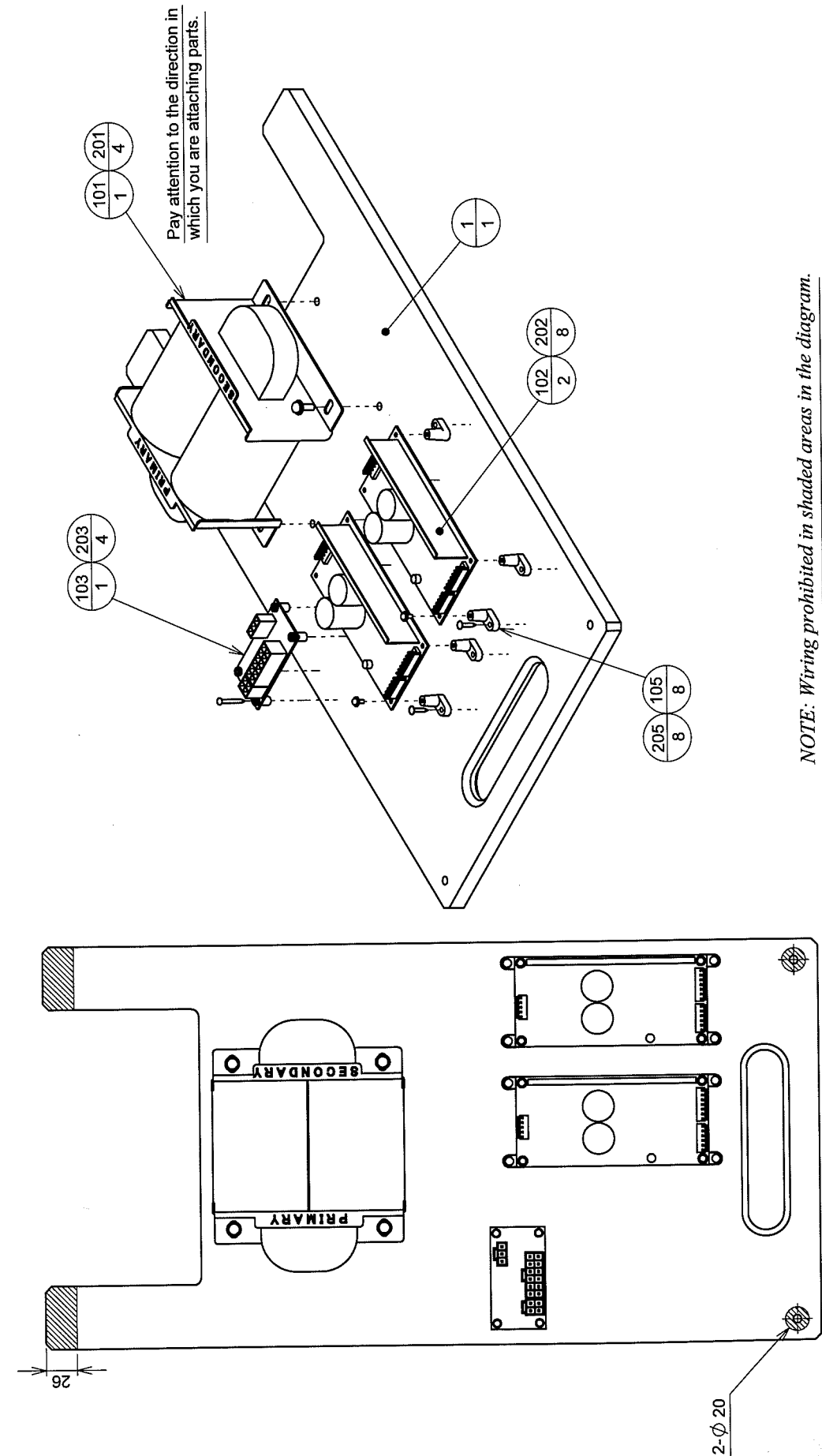
(15) LGD-6003-01
ASSY WIRE DC SUB ELEC ENG <Others>

This is comprised of the following wire harness. ASSY drawing is not available.

ITEM NO.	PART NO.	DESCRIPTION	NOTE
101	601-0460	PLASTIC TIE BELT 100 M/M	
301	LGD-60015	WH DC24V AMP POWER IN	
302	LGD-60016	WH AMP SOUND OUT	
303	LGD-60017	WH AMP WOOFER OUT	
304	LGD-60018	WH DC24V SOLENOID POWER IN	
305	LGD-60019	WH DC I/O BD IN	
306	LGD-60020-01	WH I/O BD EXP	

(16) LGD-4200-01
ASSY XFMR 110V <Taiwan>

(D-1/2)



NOTE: Wiring prohibited in shaded areas in the diagram.

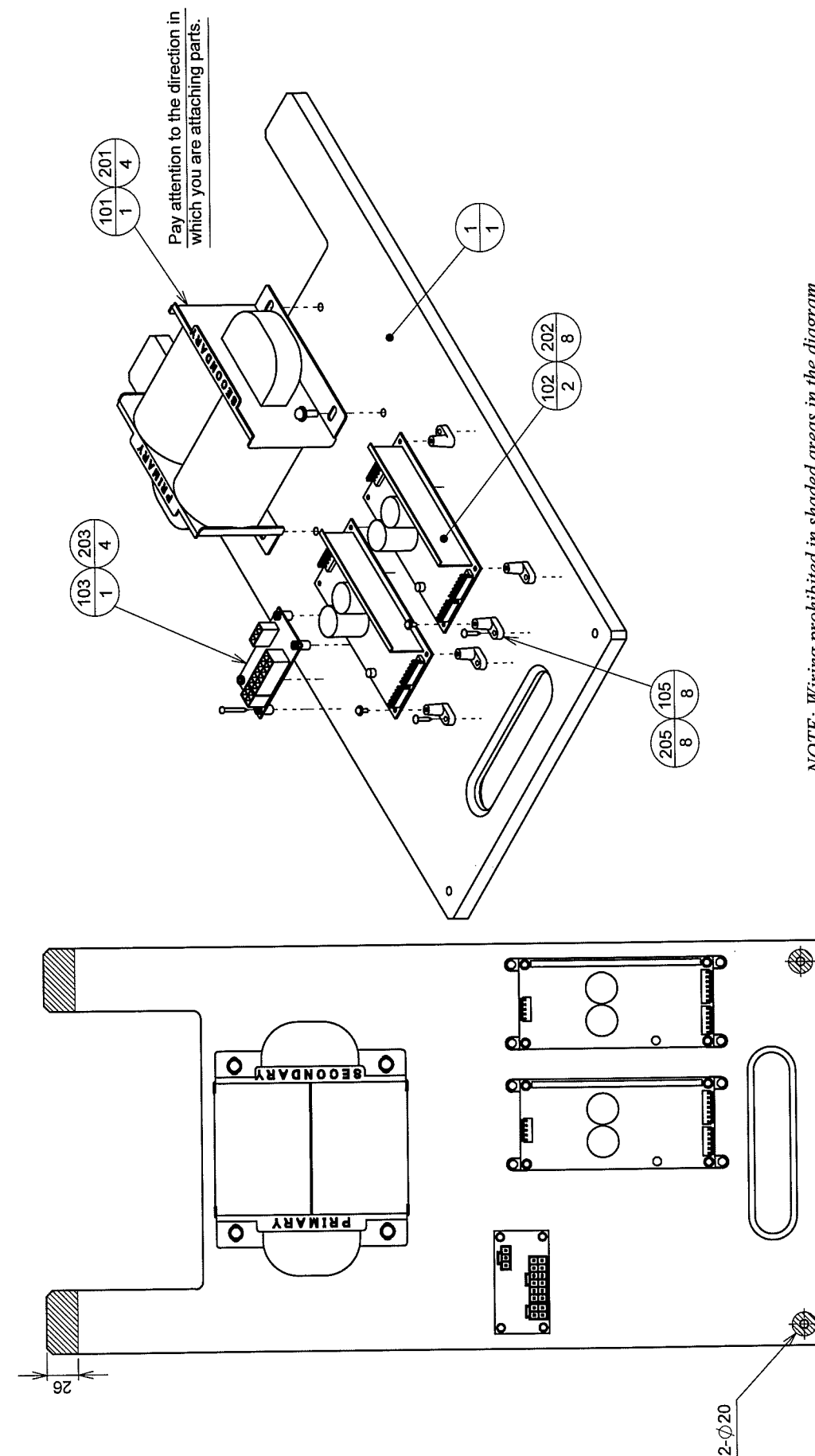
(16) LGD-4200-01
ASSY XFMR 110V <Taiwan>

(D-2/2)

ITEM NO.	PART NO.	DESCRIPTION	NOTE
1	LGD-4201	XFMR BASE	
101	560-5583-H	XFMR 100-120V 100V 10A WB	
102	400-5484-15024F	SW REGU VS150E-24/FV	
	400-5489-15024	SW REGU VS150E-24	
103	838-14551	DISTRIBUTION BD	
104	280-0419	HARNESS LUG	
105	280-6681	L-LOCK LT-320PCG	
201	000-P00516-W	M SCR PH W/FS M5x16	
202	000-P00308-W	M SCR PH W/FS M3x8	
203	011-P00325	TAP SCR PH 3x25	
204	011-T03512	TAP SCR TH 3.5x12	
205	011-T03516	TAP SCR TH 3.5x16	
301	LGD-60001-01	WH AC DISTRIBUTION IN XFMR	
302	LGD-60002	WH AC DISTRIBUTION OUT CABI	
303	LGD-60003	WH AC DISTRIBUTION OUT BASE	
304	LGD-60004	WH DC24V AMP POWER BD	
305	LGD-60005X	WH DC24V SOLENOID POWER BD	

(16) LGD-4200-02
ASSY XFMR 120V <US>

(D-1/2)



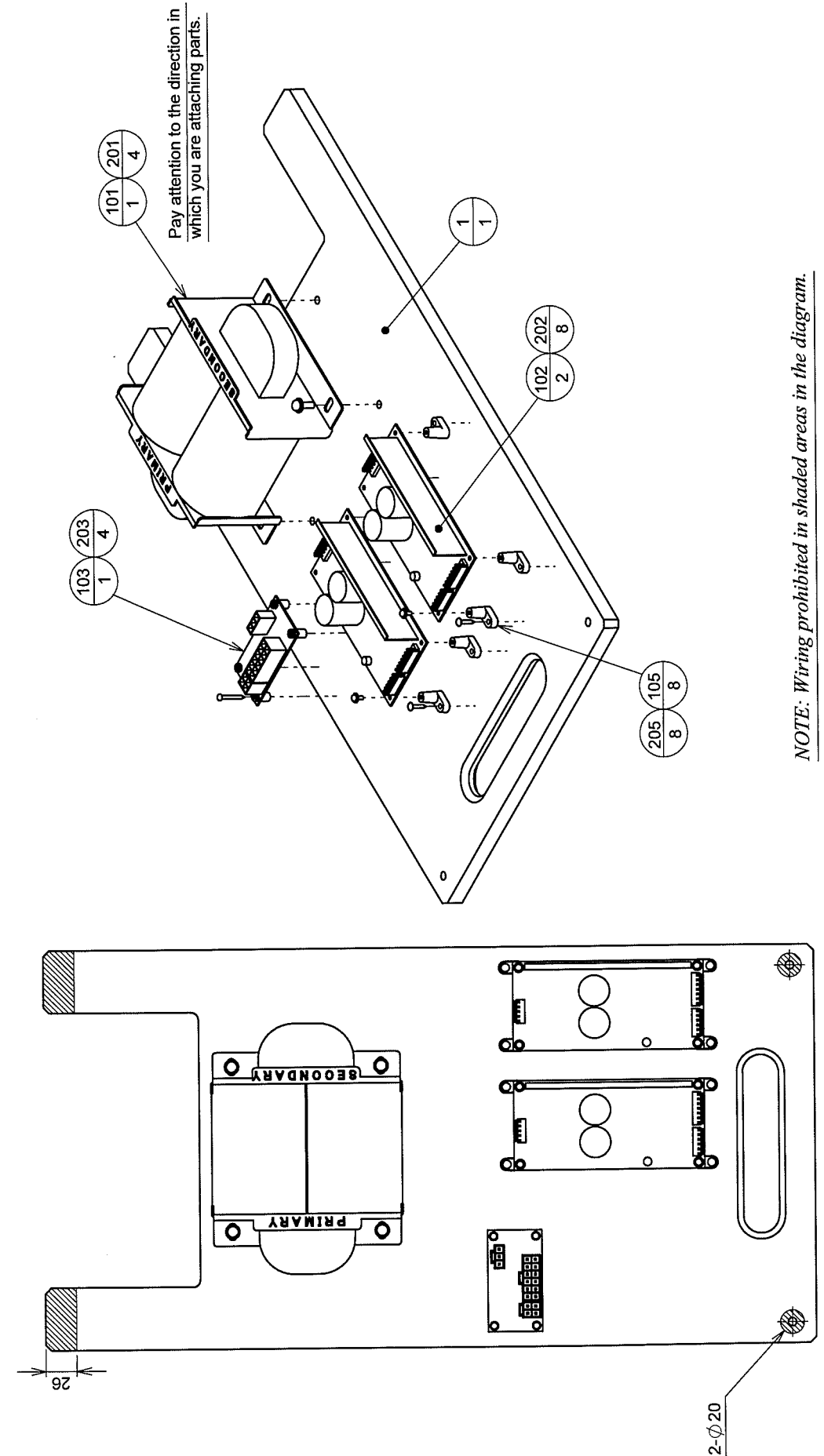
(16) LGD-4200-02
ASSY XFMR 120V <US>

(D-2/2)

ITEM NO.	PART NO.	DESCRIPTION	NOTE
1	LGD-4201	XFMR BASE	
101	560-5583-H	XFMR 100-120V 100V 10A WB	
102	400-5484-15024F	SW REGU VS150E-24/FV	
	400-5489-15024	SW REGU VS150E-24	
103	838-14551	DISTRIBUTION BD	
104	280-0419	HARNESS LUG	
105	280-6681	L-LOCK LT-320PCG	
201	000-P00516-W	M SCR PH W/FS M5x16	
202	000-P00308-W	M SCR PH W/FS M3x8	
203	011-P00325	TAP SCR PH 3x25	
204	011-T03512	TAP SCR TH 3.5x12	
205	011-T03516	TAP SCR TH 3.5x16	
301	LGD-60001-01	WH AC DISTRIBUTION IN XFMR	
302	LGD-60002	WH AC DISTRIBUTION OUT CABI	
303	LGD-60003	WH AC DISTRIBUTION OUT BASE	
304	LGD-60004	WH DC24V AMP POWER BD	
305	LGD-60005X	WH DC24V SOLENOID POWER BD	
306	LGD-60051	WH AC OUT US	

(16) LGD-4200-03
ASSY XFMR 220-240V <Others>

(D-1/2)



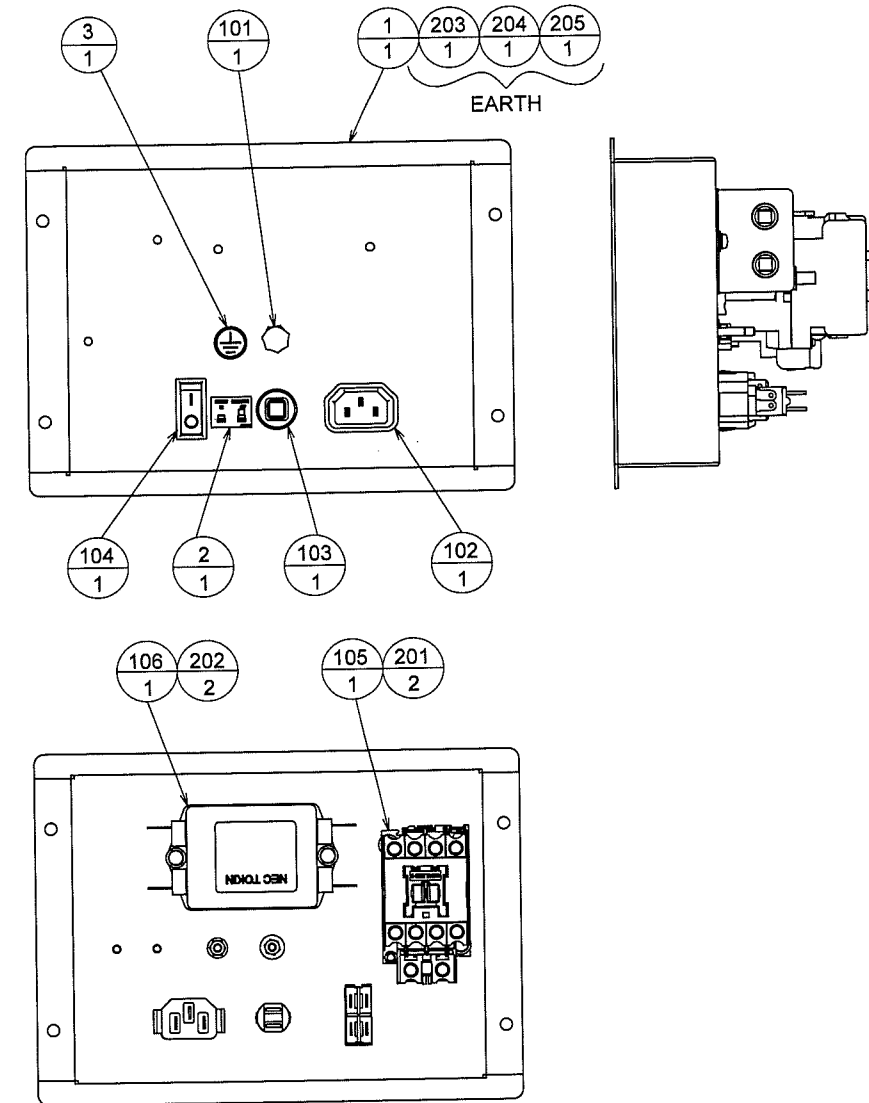
(16) LGD-4200-03
ASSY XFMR 220-240V <Others>

(D-2/2)

ITEM NO.	PART NO.	DESCRIPTION	NOTE
1	LGD-4201	XFMR BASE	
101	560-5584-H	XFMR 220-240V 100V 10A WB	
102	400-5484-15024F	SW REGU VS150E-24/FV	
	400-5489-15024	SW REGU VS150E-24	
103	838-14551	DISTRIBUTION BD	
104	280-0419	HARNESS LUG	
105	280-6681	L-LOCK LT-320PCG	
201	000-P00516-W	M SCR PH W/FS M5x16	
202	000-P00308-W	M SCR PH W/FS M3x8	
203	011-P00325	TAP SCR PH 3x25	
204	011-T03512	TAP SCR TH 3.5x12	
205	011-T03516	TAP SCR TH 3.5x16	
301	LGD-60001-01	WH AC DISTRIBUTION IN XFMR	
302	LGD-60002	WH AC DISTRIBUTION OUT CABI	
303	LGD-60003	WH AC DISTRIBUTION OUT BASE	
304	LGD-60004	WH DC24V AMP POWER BD	
305	LGD-60005X	WH DC24V SOLENOID POWER BD	

(17) HLT-1150
AC UNIT

(D-1/2)



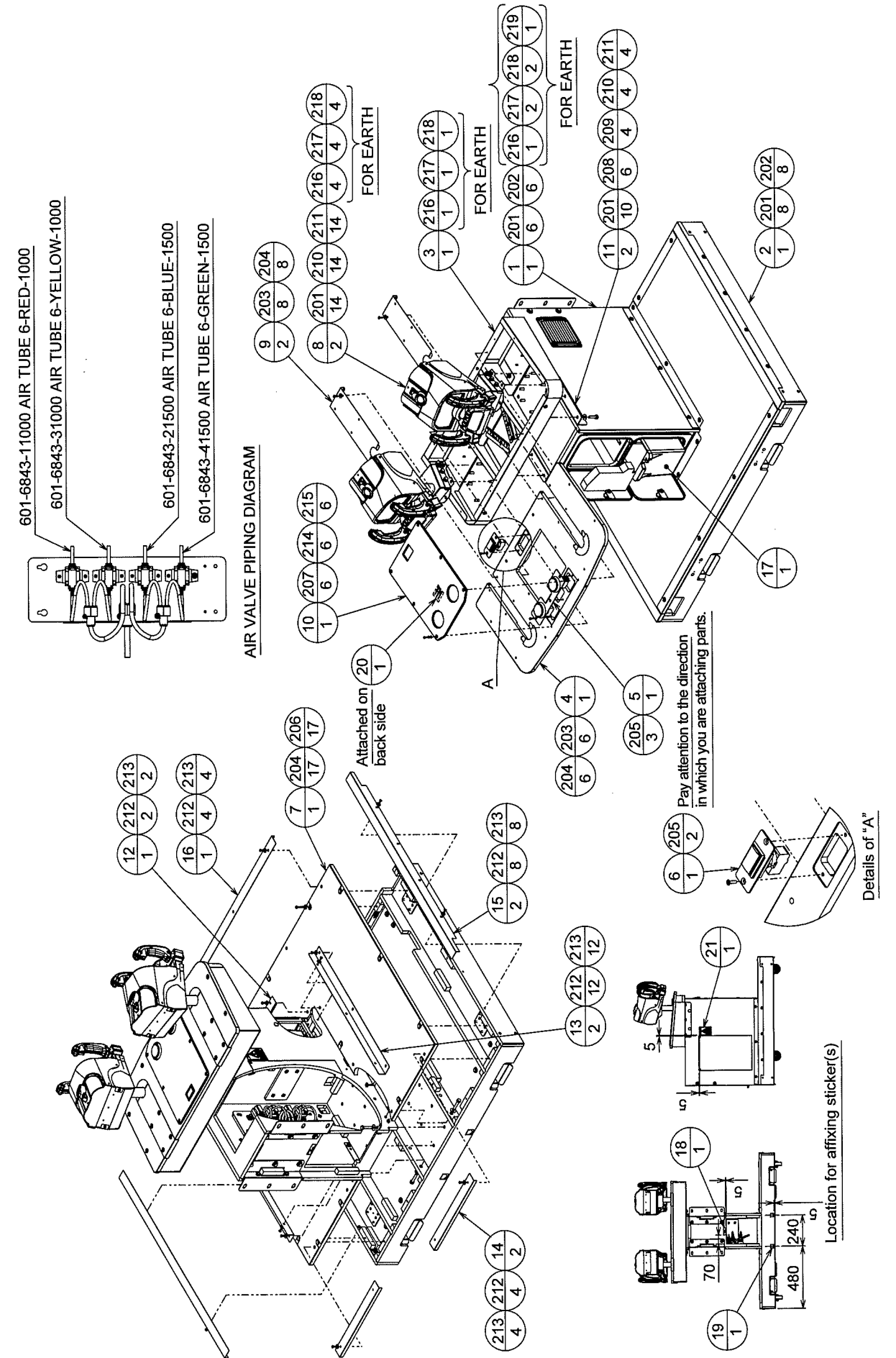
(17) HLT-1150
AC UNIT

(D-2/2)

ITEM NO.	PART NO.	DESCRIPTION	NOTE
1	HDF-0661X	AC BRKT	
2	421-7468-02	STICKER C.P W/PIC	
3	421-8202	STICKER EARTH MARK	
102	214-0202	AC INLET PANEL TYPE	
103	512-5046-91-08	C.P 8A CE UL NRW10-8A-TK2421	<Hong Kong, UK>
	512-5046-91-15	C.P CE UL NRW10-15A-TK2421	<Others>
104	509-6102-V-B	SW ROCKER J8 V-B AJ8202BF	
105	450-5126	MAGNET CONTACT S-NIOCX	<Taiwan>
	450-5134	MAGNET CONTACT S-NIOCX AC 230V	<Hong Kong, UK>
	450-5135	MAGNET CONTACT S-N10CX AC 120V	<US>
106	270-5115	NOISE FILTER 15A GT-215J	
107	310-5029-G20	SUMITUBE F G 20MM	
108	310-5029-F20	SUMITUBE F F 20MM	
109	280-5275-SR10	CORD CLAMP SR10	
201	000-P00416-W	M SCR PH W/FS M4x16	
202	000-P00408-W	M SCR PH W/FS M4x8	
203	050-H00400	HEX NUT M4	
204	060-S00400	SPR WSHR M4	
205	060-F00400	FLT WSHR M4	
301	HDF-60001	WH AC IN	
302	HDF-60002	WH AC MAIN SW	
303	HDF-60003	WH AC MC OUT	
304	LGD-60053	WH AC UNIT 220V OUT	<Hong Kong>
	LGI-60053-01	WH AC UNIT 110V OUT	<Taiwan>
	LGI-60053-02	WH AC UNIT 120V OUT	<US>
	LGI-60053-03	WH AC UNIT 230V OUT	<UK>
/	000-P00408-W	M SCR PH W/FS M4x8	
/	421-6690-01	STICKER 120V	<US>
/	421-6690-03	STICKER 220V (80556)	<Hong Kong>
/	421-6690-04	STICKER 230V (230V AREA)	<UK>
/	421-6690-06	STICKER 110V	<Taiwan>

(18) LGD-1300
ASSY CONTROLLER CABINET

(D-1/2)



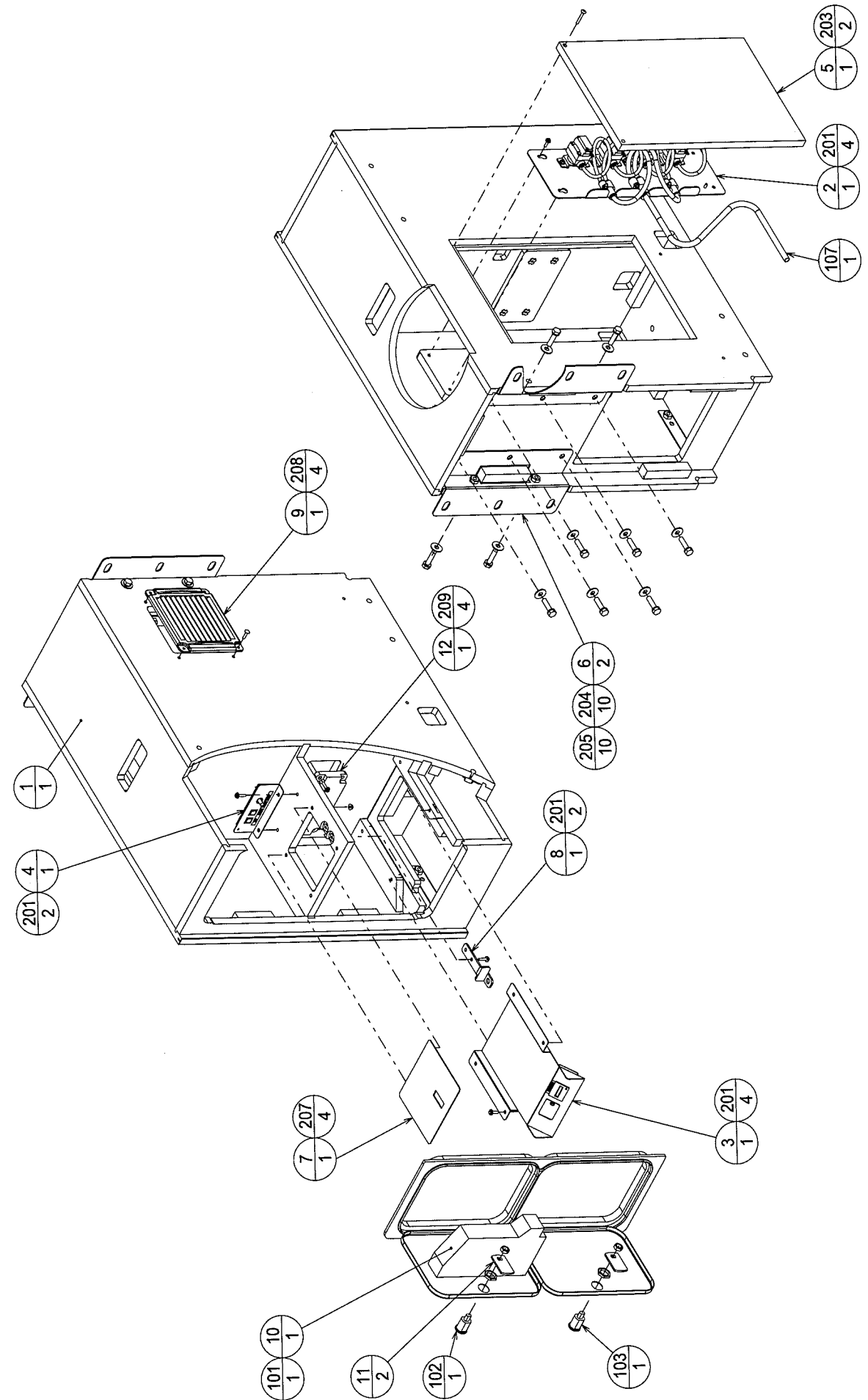
(18) LGD-1300
ASSY CONTROLLER CABINET

(D-2/2)

ITEM NO.	PART NO.	DESCRIPTION	NOTE
1	LGD-1330	ASSY SUB CABINET CONTROLLER	
2	LGD-1340	ASSY SUB CABINET STEP	
3	LGD-1400	ASSY CONTROLLER BOX	
4	LGD-1410	ASSY CONTROLLER TABLE	
5	LGD-1420	ASSY START BUTTON	
6	LGD-1430	ASSY 3D BUTTON	
7	LGD-1450	ASSY FLOOR	
8	LGI-2000	ASSY CONTROLLER	
9	LGD-1301	CONT COVER PLATE UPPER	
10	LGD-1302-01	INSTR PLATE ENG	
11	LGD-1303	BOX JOINT BRKT	
12	LGD-1304	FLOOR SASH CENTER	
13	LGD-1305	FLOOR SASH CENTER SIDE	
14	LGD-1306	FLOOR SASH FRONT	
15	LGD-1307	FLOOR SASH SIDE	
16	LGD-1308	FLOOR SASH REAR	
17	253-5366	CASH BOX	
19	421-11416	STICKER CAUTION FORK	
21	440-WS0002YEG	STICKER W POWER OFF ENG	
201	068-852216-0B	FLT WSHR BLK 8.5-22x1.6	
202	030-000845-S	HEX BLT W/S M8x45	
203	008-T00425-0B	TMP PRF SCR TH BLK M4x25	
204	068-441616-0B	FLT WSHR BLK 4.4-16x1.6	
205	000-F00416	M SCR FH M4x16	
206	000-P00435-S	M SCR PH W/S M4x35	
207	FAS-290117	HEX SKT LH CAP SCR STN M4x25	
208	030-000830-SB	HEX BLT W/S BLK M8x30	
209	031-000830-0B	CRG BLT BLK M8x30	
210	060-S00800	SPR WSHR M8	
211	050-H00800	HEX NUT M8	
212	068-441616-0C	FLT WSHR CRM 4.4-16x1.6	
213	008-T00416-0C	TMP PRF SCR TH CRM M4x16	
214	FAS-600015	FLT WSHR CRM M4	
215	060-S00400-0C	SPR WSHR CRM M4	
216	050-H00400	HEX NUT M4	
217	060-F00400	FLT WSHR M4	
218	060-S00400	SPR WSHR M4	
219	000-P00408	M SCR PH M4x8	

(19) LGD-1330
ASSY SUB CABINET CONTROLLER

(D-1/3)



(19) LGD-1330
ASSY SUB CABINET CONTROLLER

(D2/3)

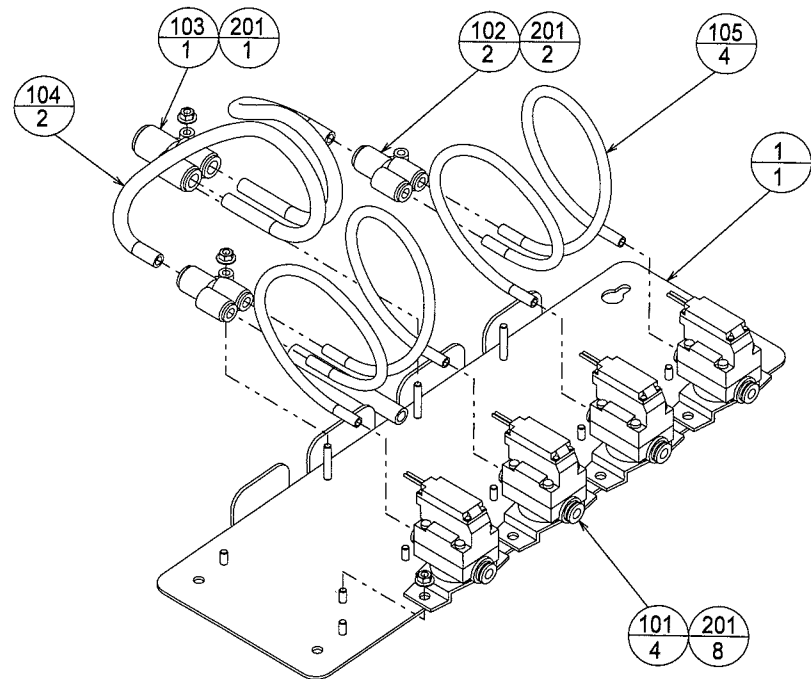
ITEM NO.	PART NO.	DESCRIPTION	NOTE
1	LGD-1331	CONTROLLER CABINET	
2	LGD-1350	ASSY AIR VALVE NOT USED	<Hong Kong, Taiwan> <Others>
3	LGD-1370	METER UNIT SINGLE	<Others>
	LGD-1370-01	METER UNIT TWIN	<US>
4	LGD-1390	SW UNIT	<Others>
	LGD-1390-01	SW UNIT UK	<UK>
5	LGD-1332	VALVE DOOR	
6	LGD-1333	CABINET JOINT BRKT	
7	105-5592	CHUTE PLATE SINGLE	<Hong Kong, Taiwan>
	105-5592-01-91	CHUTE PLATE EXP	<US>
	105-5592-05	CHUTE PLATE SR3 SHORT	<UK>
8	105-5637	LOCK BRKT W	<Others>
	105-5637-01	LOCK BRKT W FOR CE	<UK>
9	253-5460-01	AIR VENT BLACK	
11	DP-1167	TNG LKG	<Others>
	105-5635	TNG LKG FOR 220-5830 NOT USED	<UK> <US>
12	GLG-1009	CASH BOX LID NOT USED	<Others> <UK>
101	220-5237-93-4	ASSY C.C 2DR HONG KONG \$5	<Hong Kong, Taiwan>
	220-5816-01	CC 2DR W/O VAULT 40-7000-XX	<US>
	220-5830	COIN 2DR FR SUZO 65-0200-070F	<UK>
102	220-5793-1-A001	CLY LOCK MASTER W/O KEY A001 NOT USED	<Others> <US>
103	220-5794	CLY LOCK W/KEY NOT USED	<Hong Kong, Taiwan> <Others>
104	280-7892	CORD CLAMP TL-19AN	
105	280-5275-SR10	CORD CLAMP SR10	
106	310-5029-F20	SUMITUBE F F 20MM	
107	601-6844-8066	AIR TUBE 10-BLACK-600 NOT USED	<Hong Kong, Taiwan> <Others>
108	280-0419	HARNESS LUG	
201	000-P00416-W	M SCR PH W/FS M4x16	
202	011-T03512	TAP SCR TH 3.5x12	
203	000-T00425-0B	M SCR TH BLK M4x25	
204	068-852216-0B	FLT WSHR BLK 8.5-22x1.6	
205	030-000830-SB	HEX BLT W/S BLK M8x30	
207	050-F00400	FLG NUT M4	
208	000-T00416-0B	M SCR TH BLK M4x16	
209	000-P00420-W	M SCR PH W/FS M4x20 NOT USED	<Others> <UK>
210	011-F00312	TAP SCR #1 FH 3x12	

(19) LGD-1330
ASSY SUB CABINET CONTROLLER

(D3/3)

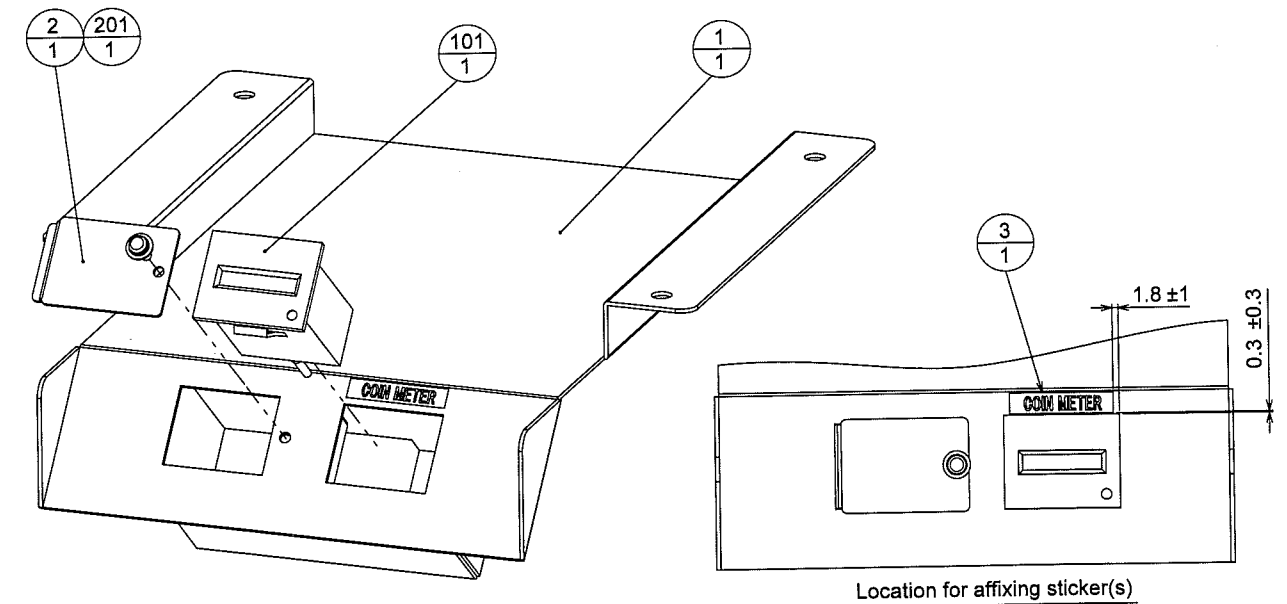
ITEM NO.	PART NO.	DESCRIPTION	NOTE
301	LGD-60037	WH WOOFER CONTROL CABI	
302	LGD-60038	WH AC FCL CONTROL CABI	
303	LGD-60039	WH AC VALVE CONTROL CABI	<Hong Kong, Taiwan>
	LGD-60049	WH BILL VALIDATOR EXT	<US>
	LGD-60053	WH DC COIN UK	<UK>
304	600-6972-0150	WIRE HARN EARTH ID5 0150MM NOT USED	<Others> <UK>
305	LGD-60041	WH SW UNIT	
306	LGD-60042	WH COIN	
309	600-6972-1700	WIRE HARN EARTH ID5 1700MM	
310	600-7368-02	WH C.C DOOR SINGLE JAMMA COLOR	<Others>
	600-7368-03	WH C.C SINGLE JAMMA COLOR USA	<US>
/	220-5831	CASH DOOR FOR 550-5830	<UK>
/	220-5769	ELEC C.C SR3 FOR CE	<UK>
/	601-0460	PLASTIC TIE BELT 100 M/M	<UK>
/	310-5029-F20	SUMITUBE F F 20MM	<UK>
/	SRC-60113	WH COIN LAMP UK	<UK>
/	LGI-60054	WH COIN LAMP US	<US>
/	440-DS0289XEG	STICKER D WIRE BILLVARI ENG	<US>
/	105-5496	PL STICKER PLATE UL A	<US>
/	011-T03512	TAP SCR TH 3.5x12	<US>
/	FAS-500061	HEX NUT STN INCH No.8-32	<US>
/	060-F00400	FLT WSHR M4	<US>
/	060-S00400	SPR WSHR M4	<US>

(20) LGD-1350
ASSY AIR VALVE <Hong Kong, Taiwan>



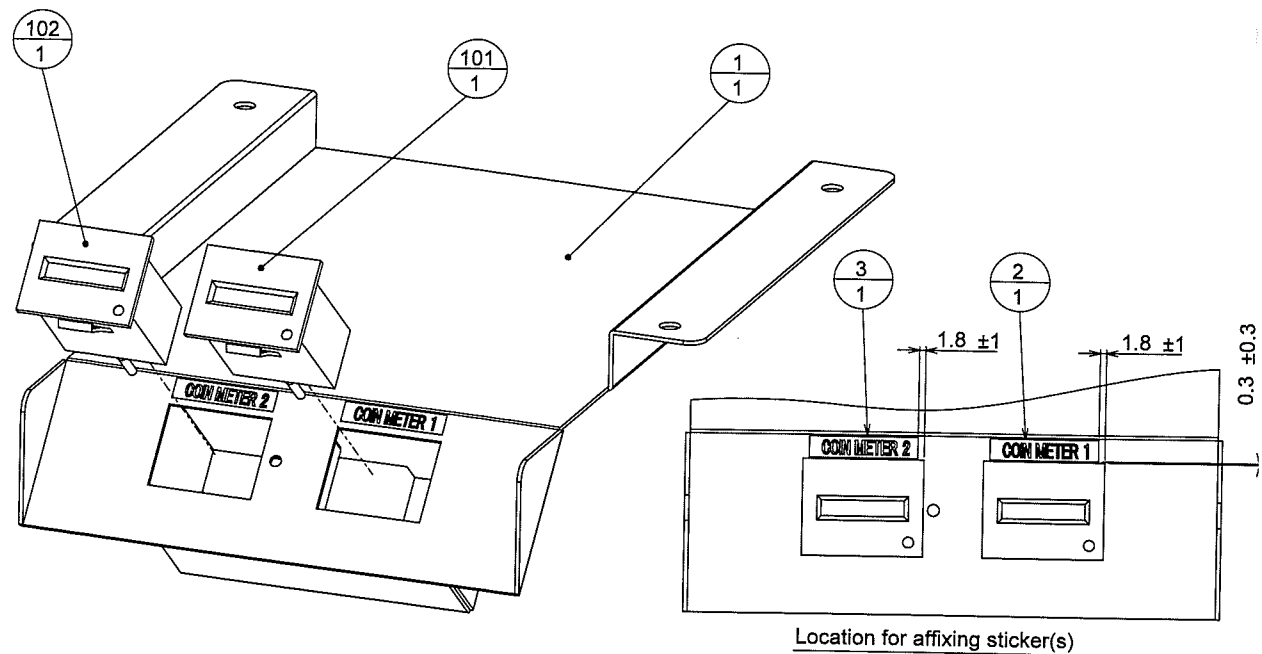
ITEM NO.	PART NO.	DESCRIPTION	NOTE
1	LGD-1351	AIR VALVE BASE	
101	601-12734	VALVE CKD EXA-X013-AC100V	
102	601-12765	AIR JOINT BRANCH SMC KQ2U06-08	
103	601-12766	AIR JOINT BRANCH SMC KQ2U08-10	
104	601-6842-80230	AIR TUBE 8-BLACK-230	
105	601-6843-80220	AIR TUBE 6-BLACK-220	
106	280-5275-SR10	CORD CLAMP SR10	
201	050-F00400	FLG NUT M4	
301	LGD-60040	WH AC VALVE	

(21) LGD-1370
METER UNIT SINGLE <Others>



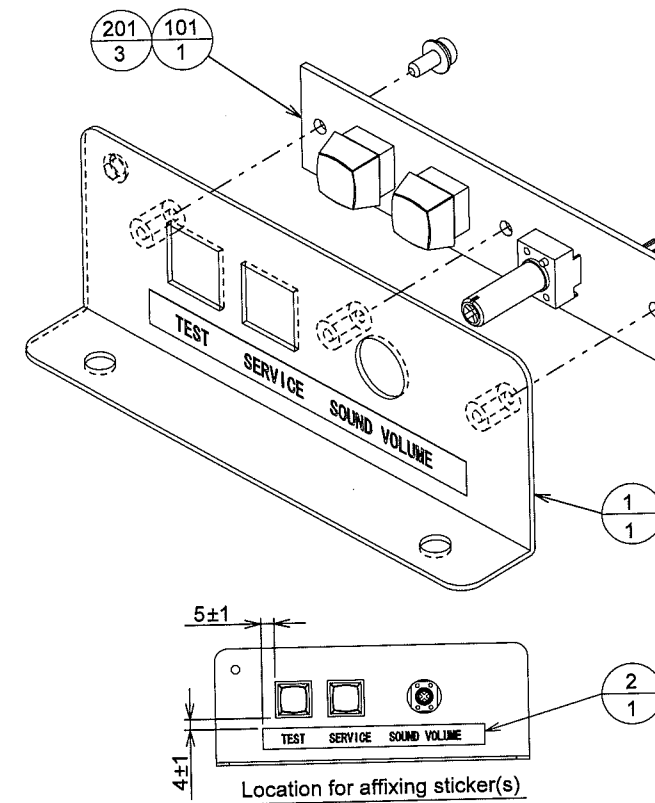
ITEM NO.	PART NO.	DESCRIPTION	NOTE
1	LGD-1371	METER BRKT	
2	HOT-1007	LID COIN CNTR	
3	421-9168-01	STICKER COIN METER	
101	220-5798-01	MAG CNTR 4P MZ674-DC5V-D41 JC	
102	280-7881	CORD CLAMP SR10 CN	
	280-5275-SR10	CORD CLAMP SR10	
201	000-P00308-W	M SCR PH W/FS M3x8	

(21) LGD-1370-01
METER UNIT TWIN <US>



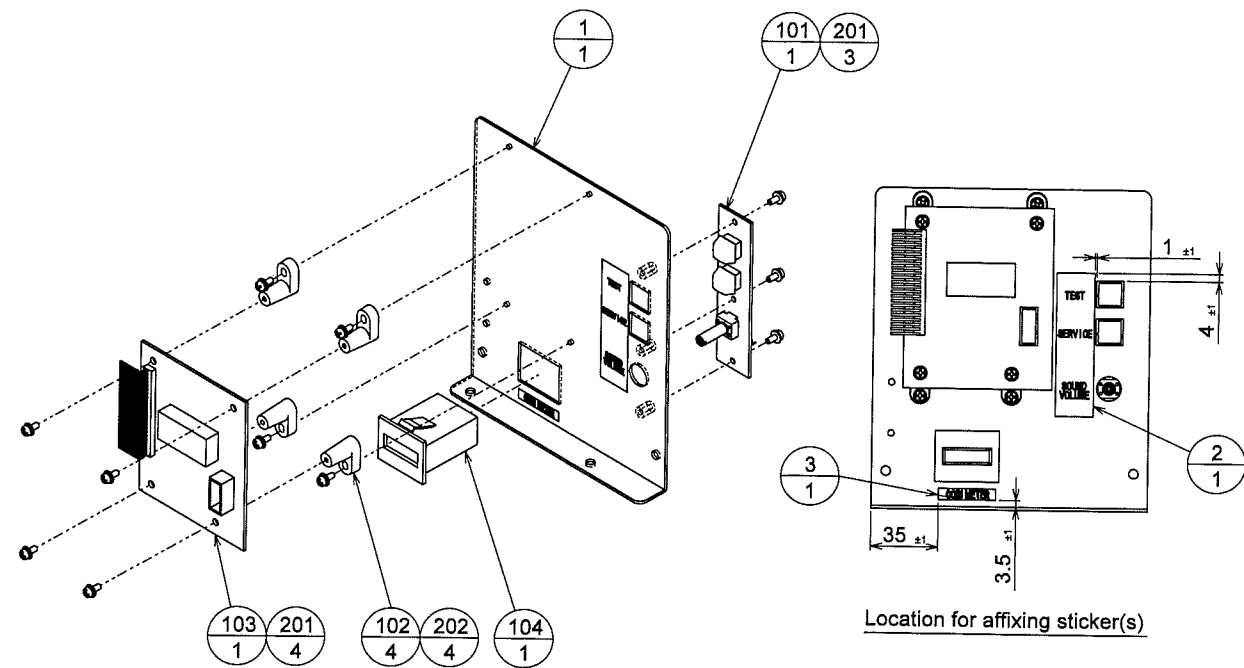
ITEM NO.	PART NO.	DESCRIPTION	NOTE
1	LGD-1371	METER BRKT	
2	421-9168-02	STICKER COIN METER 1	
3	421-9168-03	STICKER COIN METER 2	
101	220-5798-01	MAG CNTR 4P MZ674-DC5V-D41 JC	
102	220-5798-02	MAG CNTR 6P MZ674-DC5V-D42 JC	
103	280-7881	CORD CLAMP SR10 CN	
	280-5275-SR10	CORD CLAMP SR10	

(22) LGD-1390
SW UNIT <Others>



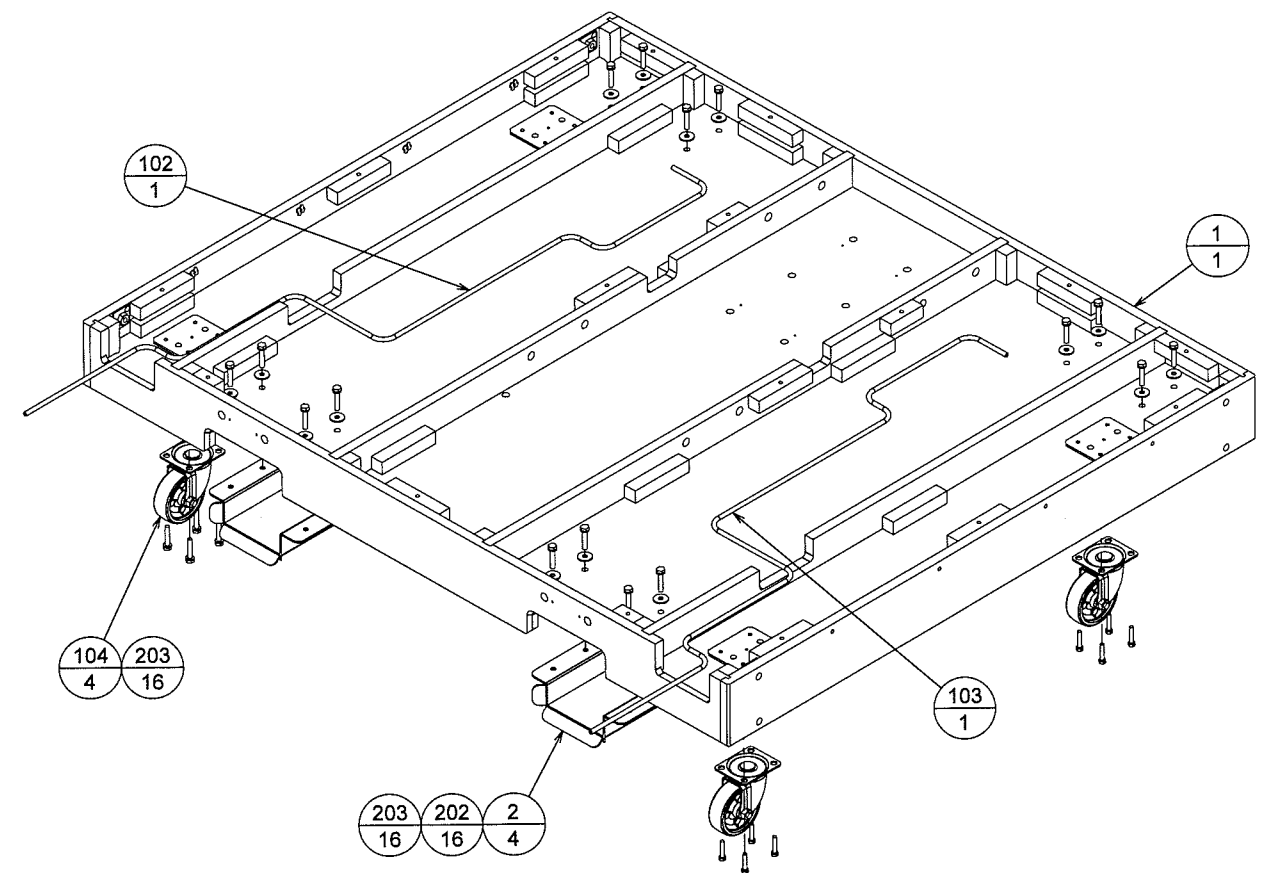
ITEM NO.	PART NO.	DESCRIPTION	NOTE
1	LGD-1391	SW BRKT	
2	421-12136	STICKER SW PANEL LCA	
101	838-14548-02	SW & C 1KOHM VOL BD	
201	000-P00308-W	M SCR PH W/FS M3x8	

(22) LGD-1390-01
SW UNIT UK <UK>



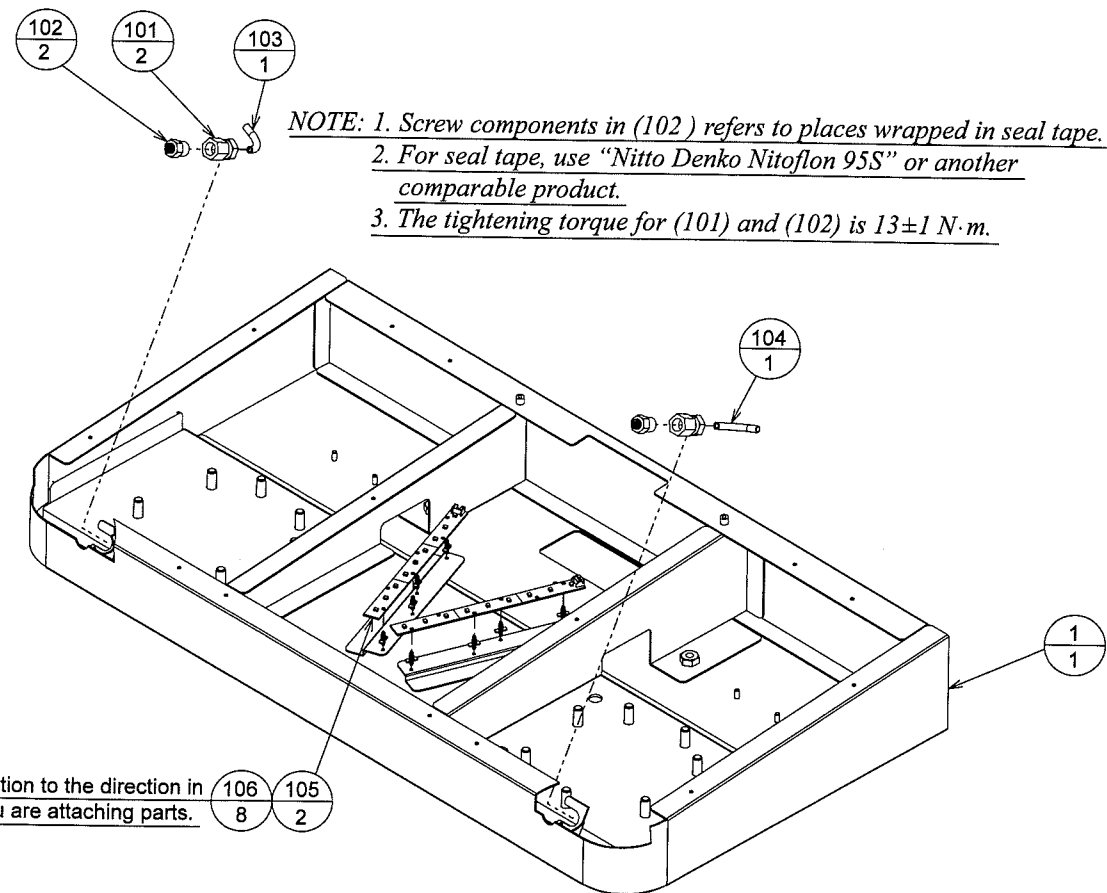
ITEM NO.	PART NO.	DESCRIPTION	NOTE
1	105-5580-01	SW BRKT CE	
2	421-12043-01	STICKER SW PANEL CE	
3	421-9168-01	STICKER COIN METER	
101	838-14548-02	SW & C 1KOHM VOL BD	
102	280-6681	L-LOCK LT-320PCG	
103	838-14402	ELEC COIN BD EXCEL	
104	220-5797-01	MAG CNTR 4P MZ674-DC12V-D28	
105	280-6676	CORD CLAMP TL-25A TTK	
	280-5009-02-91	CORD CLAMP 21 CN	
106	280-7881	CORD CLAMP SR10 CN	
	280-5275-SR10	CORD CLAMP SR10	
201	000-P00308-W	M SCR PH W/FS M3x8	
202	000-P00312-W	M SCR PH W/FS M3x12	
301	GLG-60039	WH EXT CREDIT BOARD REAR CE	

(23) LGD-1340
ASSY SUB CABINET STEP



ITEM NO.	PART NO.	DESCRIPTION	NOTE
1	LGD-1341	CABINET STEP	
2	LGD-1342	JOINT FRAME HOLDER	
101	280-0419	HARNESS LUG	
102	601-6843-21500	AIR TUBE 6-BLUE-1500	<Hong Kong, Taiwan> <Others>
		NOT USED	
103	601-6843-41500	AIR TUBE 6-GREEN-1500	<Hong Kong, Taiwan> <Others>
		NOT USED	
104	601-11158	CASTER 75 6NYLON	
201	011-T03512	TAP SCR TH 3.5x12	
202	068-652016	FLT WSHR 6.5-20 x1.6	
203	030-000630-W	HEX BLT W/FS M6x30	

**(24) LGD-1400
ASSY CONTROLLER BOX**



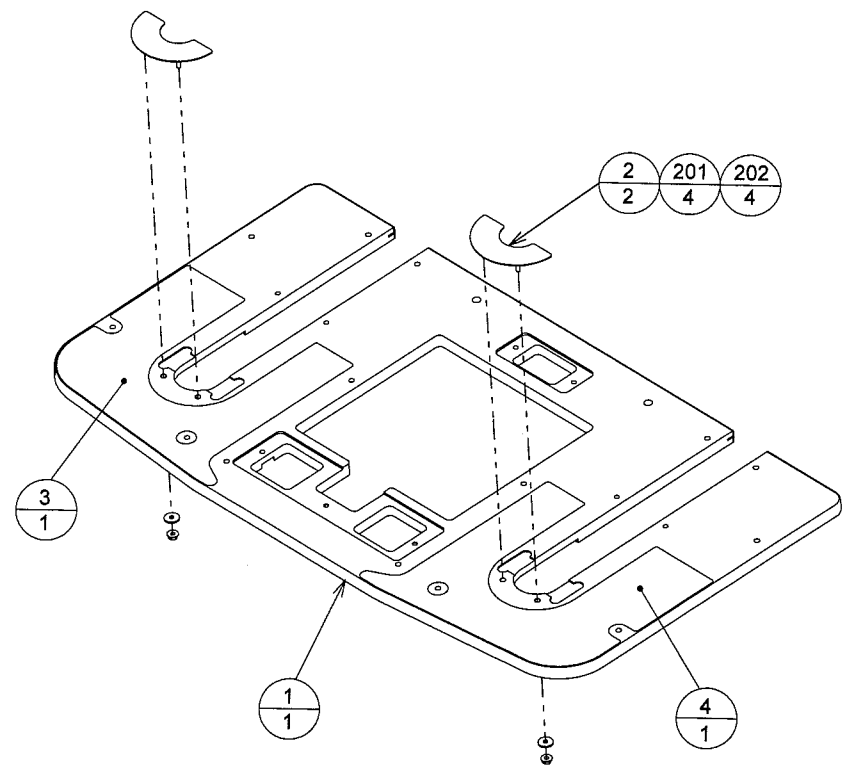
ITEM NO.	PART NO.	DESCRIPTION	NOTE
1	LGD-1402 LGD-1402-01	CONTROLLER BOX CONTROLLER BOX EXP	<Hong Kong, Taiwan> <Others>
101	601-12767	AIR JOINT SMC KQ2E06-02 NOT USED	<Hong Kong, Taiwan> <Others>
102	601-12710	NOZZLE SMC KNS-R02-075-4 NOT USED	<Hong Kong, Taiwan> <Others>
103	601-6843-11000	AIR TUBE 6-RED-1000 NOT USED	<Hong Kong, Taiwan> <Others>
104	601-6843-31000	AIR TUBE 6-YELLOW-1000 NOT USED	<Hong Kong, Taiwan> <Others>
105	838-14972-03	LED BD WHITE 3x3BLOCK	
106	280-7896-05	SPACER WN-05G (HIROSUGI)	
107	280-6676	CORD CLAMP TL-25A TTK	
108	280-5275-SR10	CORD CLAMP SR10	
301	LGD-6005X	ASSY WIRE CONTROLLER BOX	

**(25) LGD-6005X
ASSY WIRE CONTROLLER BOX**

This is comprised of the following wire harness. ASSY drawing is not available.

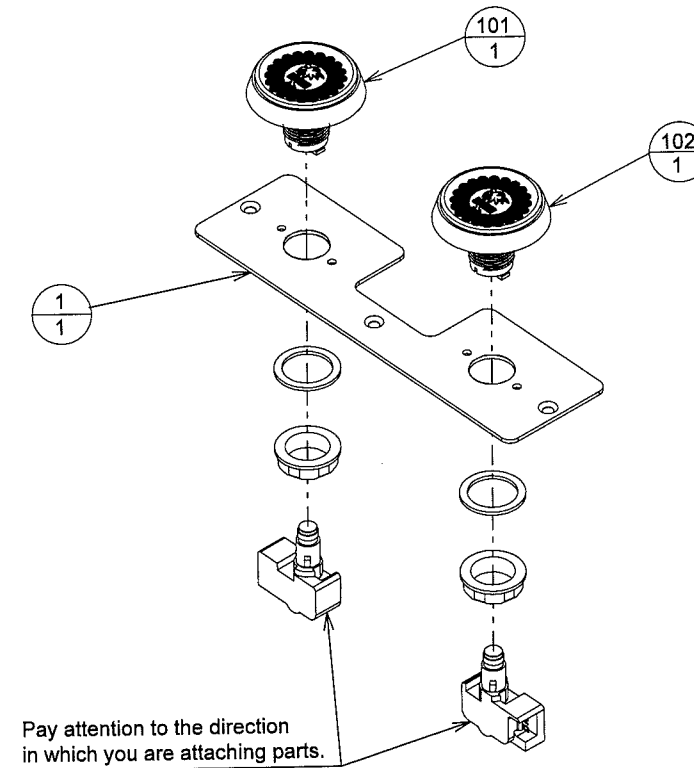
ITEM NO.	PART NO.	DESCRIPTION	NOTE
101	601-0460	PLASTIC TIE BELT 100 M/M	
301	LGD-60032	WH ACTION SW CONTROL CABI	
302	LGD-60034	WH LED CONTROL CABI	
303	LGD-60035	WH CONTROL 1P	
304	LGD-60036	WH CONTROL 2P	
305	600-6972-1100	WIRE HARN EARTH ID5 1100MM	
306	600-6972-1200	WIRE HARN EARTH ID5 1200MM	
307	600-6972-1300	WIRE HARN EARTH ID5 1300MM	
308	600-6972-1400	WIRE HARN EARTH ID5 1400MM	

(26) LGD-1410
ASSY CONTROLLER TABLE



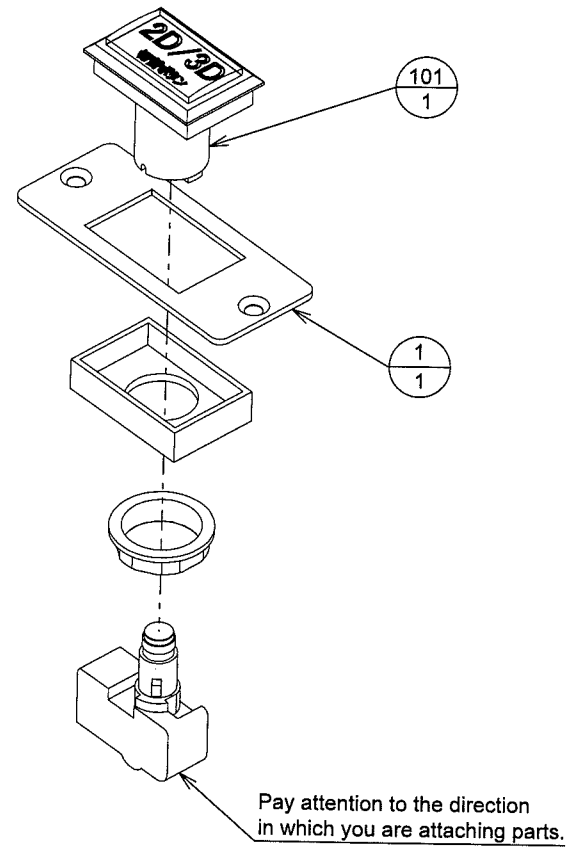
ITEM NO.	PART NO.	DESCRIPTION	NOTE
1	LGD-1415	CONTROLLER TABLE	
2	LGD-1412	CONT COVER PLATE LOWER	
3	LGD-1416	TABLE STICKER L	
4	LGD-1417	TABLE STICKER R	
201	068-441616	FLT WSHR 4.4-16x1.6	
202	050-F00400	FLG NUT M4	

(27) LGD-1420
ASSY START BUTTON



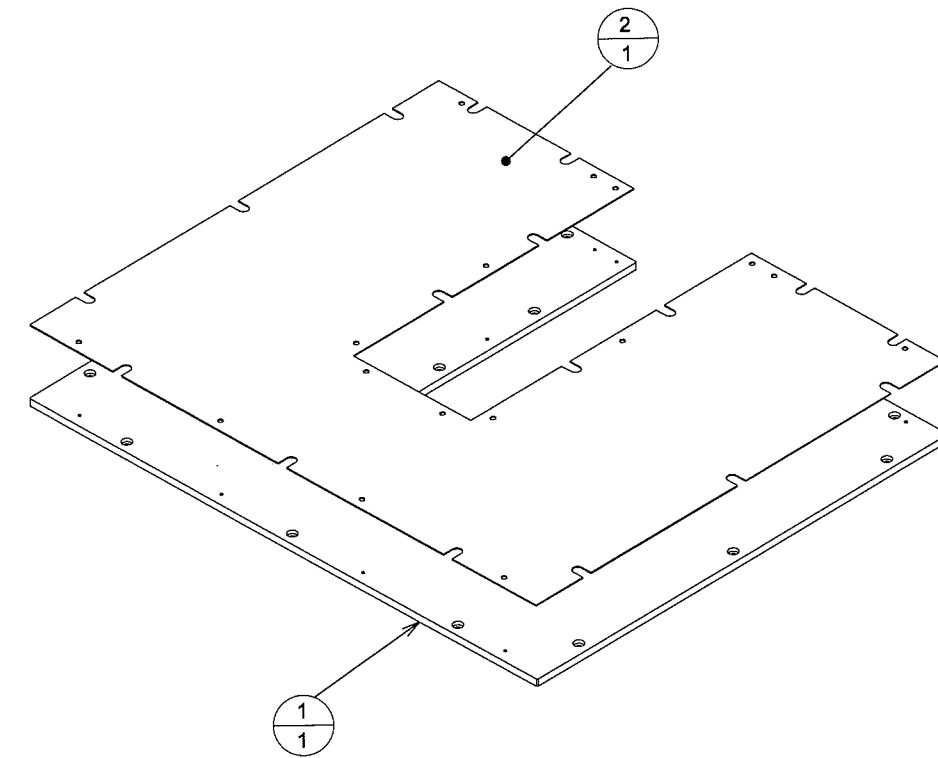
ITEM NO.	PART NO.	DESCRIPTION	NOTE
1	LGD-1421	START BUTTON PLATE	
101	509-6267-01	SW OBSA60M-R/W-1FLEDW12V LGI1P	
102	509-6267-02	SW OBSA60M-B/W-1FLEDW12V LGI2P	
301	LGD-60033	WH ACTION SW	

(28) LGD-1430
ASSY 3D BUTTON



ITEM NO.	PART NO.	DESCRIPTION	NOTE
1	LGD-1431	3D BUTTON PLATE	
101	509-6275-01	SW OBSA-45UK-W-1FLED-W-12V ENG	

(29) LGD-1450
ASSY FLOOR

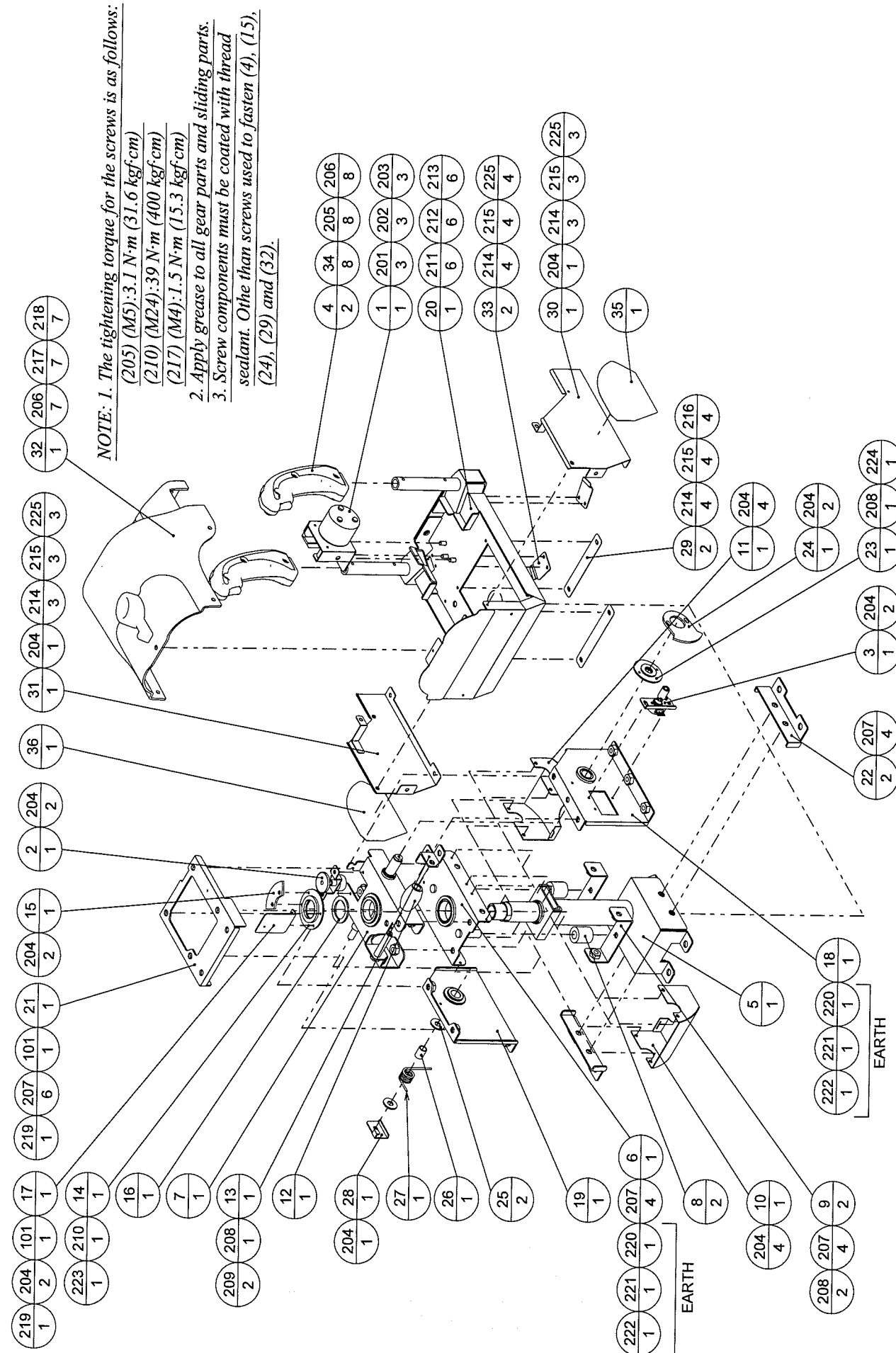


NOTE 1: Affix (2) to an even location beyond the perimeter of the surface.

ITEM NO.	PART NO.	DESCRIPTION	NOTE
1	LGD-1451	FLOOR BOARD	
2	LGD-1452	FLOOR MAT	

**(30) LGI-2000
ASSY CONTROLLER**

(D-1/3)



NOTE: 1. The tightening torque for the screws is as follows:
 (205) (M5): 3.1 N·m (31.6 kgf·cm)
 (210) (M24): 39 N·m (400 kgf·cm)
 (217) (M4): 1.5 N·m (15.3 kgf·cm)
 2. Apply grease to all gear parts and sliding parts.
 3. Screw components must be coated with thread sealant. Other than screws used to fasten (4), (15), (24), (29) and (32).

**(30) LGI-2000
ASSY CONTROLLER**

(D-2/3)

ITEM NO.	PART NO.	DESCRIPTION	NOTE
1	LGI-2070	VIB UNIT	
2	LGI-2080	ASSY CONT TOP VOLUME	
3	LGI-2090	ASSY CONT SIDE VOLUME	
4	610-0842	GRIP UNIT	
5	LGI-2001	CONT MAIN SHAFT	
6	LGI-2002	SWING BASE LOWER	
7	LGI-2003X	SWING BASE UPPER	
8	LGI-2004	SWING STOPPER	
9	LGI-2005	SWING STOPPER BRKT	
10	LGI-2006	FINGER GUARD FRONT	
11	LGI-2007	FINGER GUARD REAR	
12	LGI-2008	CONT PITCH STOPPER	
13	LGI-2009	CONT PITCH STOPPER BRKT	
14	LGI-2010	GEAR PLATE TOP	
15	HLT-3105	GEAR 110 HLT	
16	LGI-2011	GEAR PLATE SPACER	
17	LGI-2012	WIRE STAY BRKT	
18	LGI-2013	CONT BASE SIDE L	
19	LGI-2014	CONT BASE SIDE R	
20	LGI-2015	CONT MAIN BASE	
21	LGI-2016	CONT BASE TOP	
22	LGI-2017	CONT BASE BRKT	
23	LGI-2018	GEAR PLATE SIDE	
24	601-6450	GEAR 110	
25	LGI-2029	SPACER WSHR	
26	LGI-2019	CONT SPRING SPACER	
27	LGI-2020	CONT PITCH SPRING	
28	LGI-2021	CONT SPRING BRKT	
29	LGI-2022	FINGER GUARD LID	
30	LGI-2023	CONT COVER LID L	
31	LGI-2024	CONT COVER LID R	
32	LGI-2025	CONT COVER	
33	LGI-2026	GRIP LOWER LID	
34	250-5721	GRIP WSHR	
35	LGI-2027	STICKER CONT SIDE L	
36	LGI-2028	STICKER CONT SIDE R	
101	280-7892	CORD CLAMP TL-19AN	
102	280-7881	CORD CLAMP SR10 CN	
103	601-0460	PLASTIC TIE BELT 100 M/M	
104	601-5963-068	BUSH 2.3T (L=68MM)	
201	050-H00600	HEX NUT M6	
202	060-S00600	SPR WSHR M6	
203	060-F00600	FLT WSHR M6	
204	000-P00408-W	M SCR PH W/FS M4x8	
205	FAS-290063	HEX SKT ELH CAP SCR STN M5x10	
206	060-S00400-0C	SPR WSHR CRM M4	

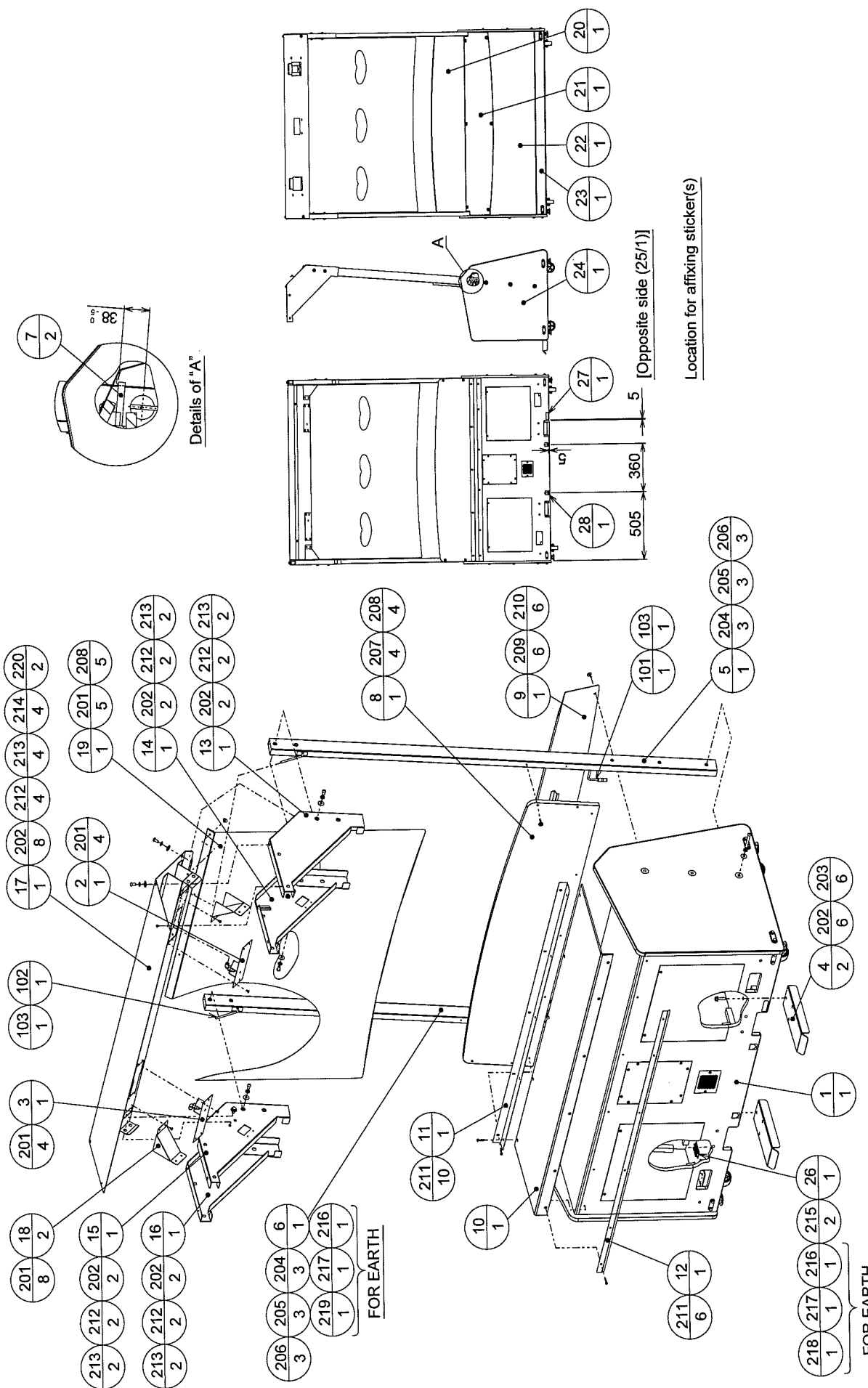
**(30) LGI-2000
ASSY CONTROLLER**

(D-3/3)

ITEM NO.	PART NO.	DESCRIPTION	NOTE
207	030-000816-W	HEX BLT W/FS M8x16	
208	000-P00508-W	M SCR PH W/FS M5x8	
209	FAS-200064	HEX SKT CAP SCR BLK W/FS M8x20	
210	050-H02400-3	HEX NUT TYPE3 M24	
211	FAS-290104	HEX SKT SCR BH CRM M8x16	
212	060-S00800-0C	SPR WSHR CRM M8	
213	060-F00800-0C	FLT WSHR CRM M8	
214	FAS-290012	HEX SKT SCR BH BLK OZ M4x8	
215	060-S00400-0B	SPR WSHR BLK M4	
216	068-441616-0B	FLT WSHR BLK 4.4-16x1.6	
217	FAS-290088	HEX SKT SCR BH CRM M4x10	
218	FAS-600015	FLT WSHR CRM M4	
219	000-F00306	M SCR FH M3x6	
220	000-P00408	M SCR PH M4x8	
221	060-S00400	SPR WSHR M4	
222	060-F00400	FLT WSHR M4	
223	FAS-600044	SPR WSHR M24	
224	068-552016	FLT WSHR 5.5-20 x1.6	
225	060-F00400-0B	FLT WSHR BLK M4	
226	060-S00500-0C	SPR WSHR CRM M5	
301	LGI-60029	WH CONTROLLER	

**(31) LGD-1500
ASSY SEAT CABINET**

(D-1/3)



(31) LGD-1500
ASSY SEAT CABINET

(D-2/3)

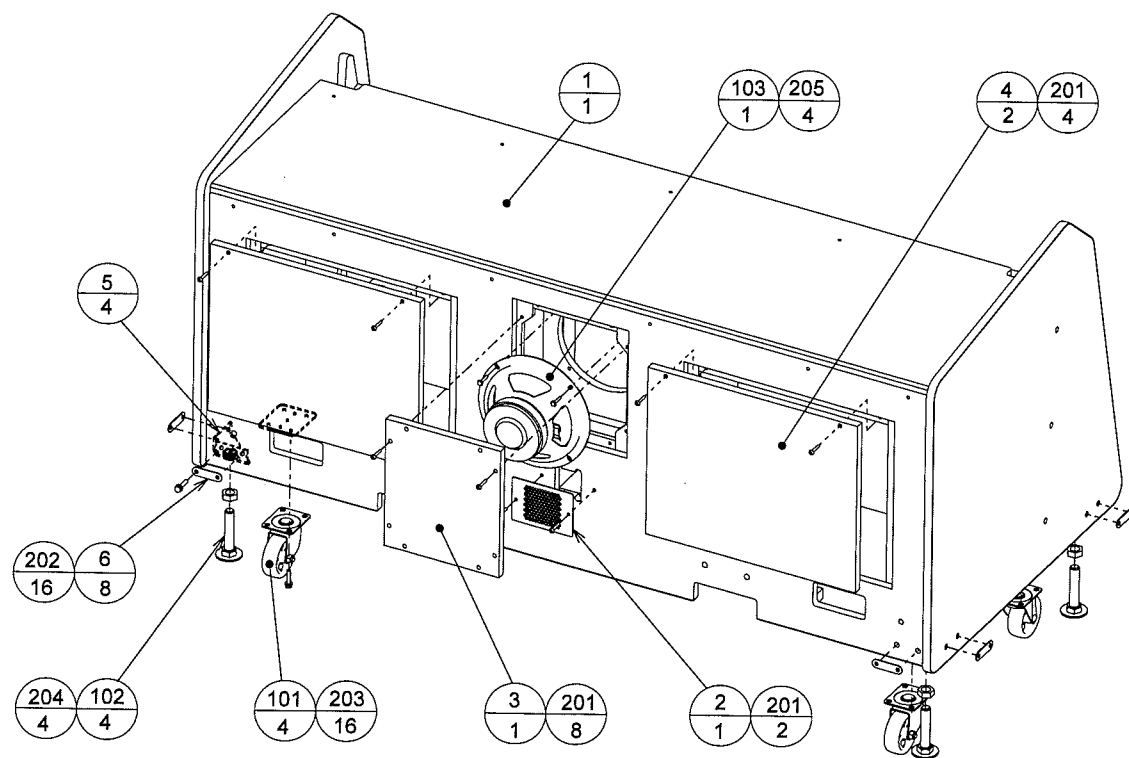
ITEM NO.	PART NO.	DESCRIPTION	NOTE
1	LGD-1550	ASSY SUB CABINET SEAT	
2	LGD-1570	AIR UNIT REAR L	<Hong Kong, Taiwan>
	LGD-1571-01	REAR AIR COVER L EXP	<Others>
3	LGD-1580	AIR UNIT REAR R	<Hong Kong, Taiwan>
	LGD-1581-01	REAR AIR COVER R EXP	<Others>
4	LGD-1001	JOINT FRAME	
5	LGD-1501	REAR PILLAR L	
6	LGD-1502	REAR PILLAR R	
7	LGD-1503	REAR PILLAR SPONGE	
8	LGD-1504X	SEAT BACK REST	
9	LGD-1505	SEAT REAR LID	
10	LGD-1506	SEAT CARPET	
11	LGD-1507	SEAT HOLDER UPPER	
12	LGD-1508	SEAT HOLDER LOWER	
13	LGD-1509	FRAME BRKT LL	
14	LGD-1510	FRAME BRKT LR	
15	LGD-1511	FRAME BRKT RL	
16	LGD-1512	FRAME BRKT RR	
17	LGD-1513X	REAR ROOF	
18	LGD-1514	HARNESS COVER	
19	LGD-1515-01	BACK CURTAIN ENG	
20	LGD-1516-01	SEAT BACK STICKER ENG	
21	LGD-1517	REAR STICKER A	
22	LGD-1518	REAR STICKER B	
23	LGD-1519	REAR STICKER C	
24	LGD-1520	BASE SIDE STICKER L	
25	LGD-1521	BASE SIDE STICKER R	
26	105-5639	EARTH PLATE	
28	421-11416	STICKER CAUTION FORK	
101	601-6843-22300	AIR TUBE 6-BLUE-2300 NOT USED	<Hong Kong, Taiwan> <Others>
102	601-6843-42300	AIR TUBE 6-GREEN-2300 NOT USED	<Hong Kong, Taiwan> <Others>
103	601-12770	AIR JOINT 6-6 SMC KQ2H06-00 NOT USED	<Hong Kong, Taiwan> <Others>
104	280-6676	CORD CLAMP TL-25A TTK	
201	000-T00408-0B	M SCR TH BLK M4x8	
202	068-852216-0B	FLT WSHR BLK 8.5-22x1.6	
203	030-000830-S	HEX BLT W/S M8x30	
204	FAS-290114	HEX SKT SCR BH CRM M8x65	
205	068-852216-0C	FLAT WSHR CRM 8.5-22x1.6	
206	060-S00800-0C	SPR WSHR CRM M8	
207	008-T00425-0B	TMP PRF SCR TH BLK M4x25	
208	068-441616-0B	FLT WSHR BLK 4.4-16x1.6	
209	000-T00416-0C	M SCR TH CRM M4x16	
210	068-441616-0C	FLT WSHR CRM 4.4-16x1.6	

(31) LGD-1500
ASSY SEAT CABINET

(D-3/3)

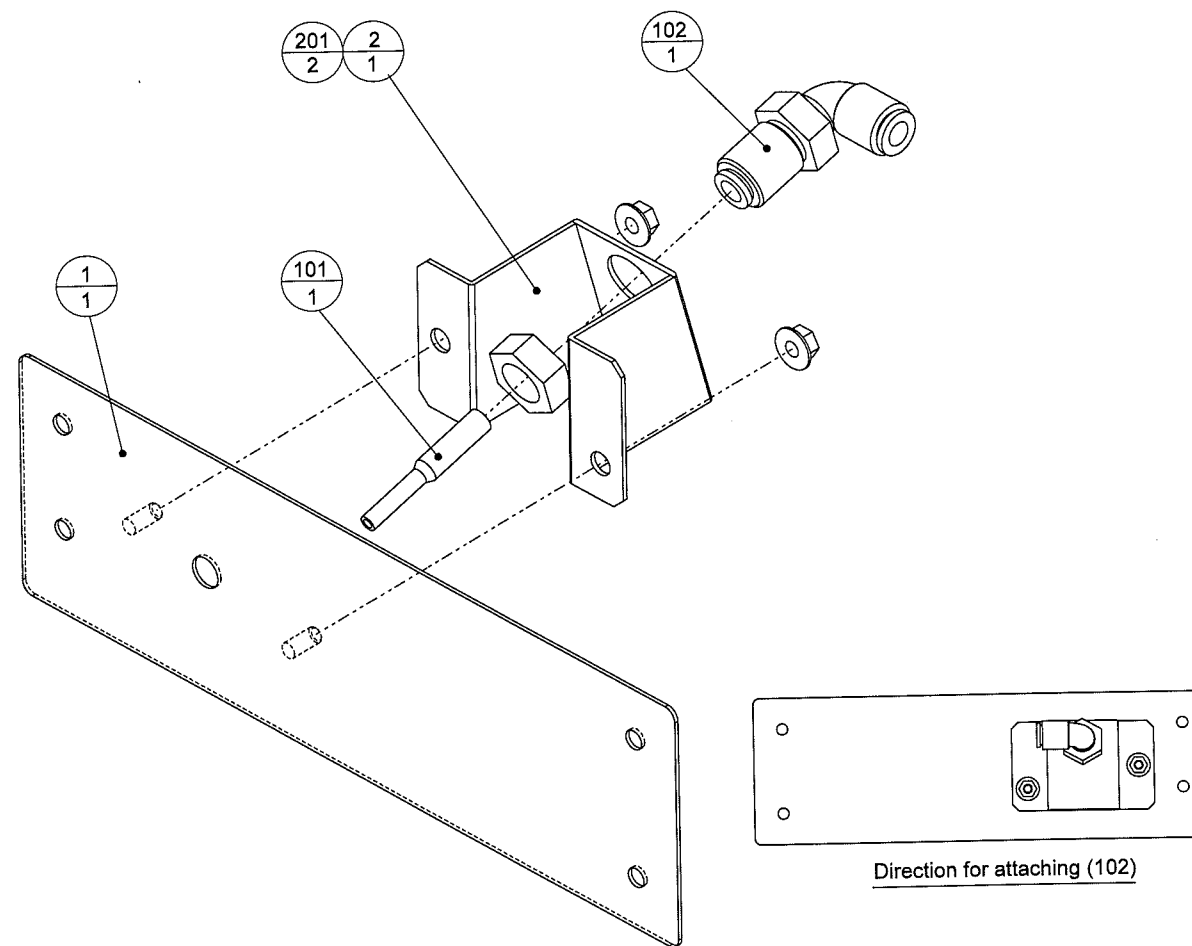
ITEM NO.	PART NO.	DESCRIPTION	NOTE
211	008-T00425-0C	TMP PRF SCR TH CRM M4x25	
212	FAS-290112	HEX SKT SCR BH BLK M8x16	
213	060-S00800-0B	SPR WSHR BLK M8	
214	030-000816-SB	HEX BLT W/S BLK M8x16	
215	011-T03512	TAP SCR TH 3.5x12	
216	060-F00400	FLT WSHR M4	
217	060-S00400	SPR WSHR M4	
218	050-H00400	HEX NUT M4	
219	000-P00408	M SCR PH M4x8	
220	000-T00406-0B	M SCR TH BLK M4x6	
301	LGD-60045	WH AC FCL REAR PIPE	
302	LGD-60046	WH AC FCL REAR ROOF	
303	600-6972-1100	WIRE HARN EARTH ID5 1100MM	

**(32) LGD-1550
ASSY SUB CABINET SEAT**



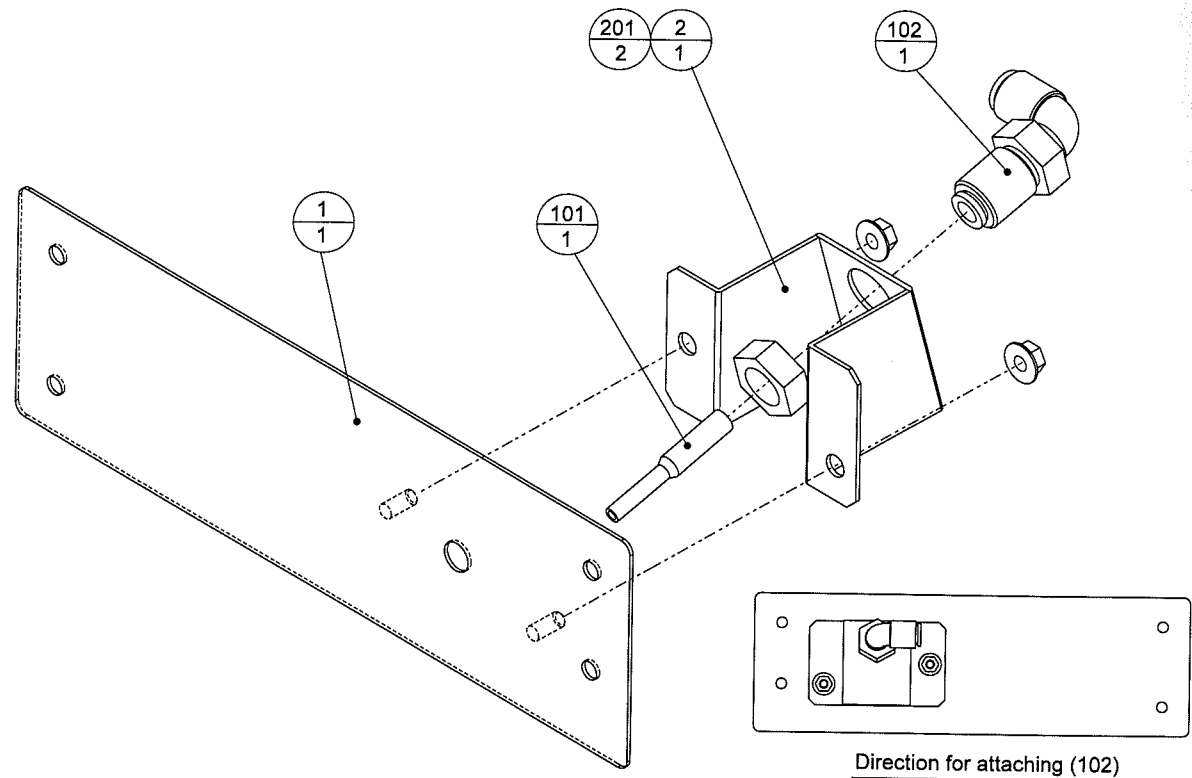
ITEM NO.	PART NO.	DESCRIPTION	NOTE
1	LGD-1551	SEAT CABINET	
2	LGD-1552	BASS REFLEX LID	
3	LGD-1553	WOOFER LID	
4	LGD-1554	SEAT CABI DOOR	
5	ARC-1006	LEG BRACKET	
6	117-5233-91	PLATE LEG BRACKET BLACK	
101	601-11158	CASTER 75 6NYLON	
102	601-5699X	LEG ADJUSTER BOLT M16x75	
103	130-5280	WOOFER 4OHM 80W SILVER RNE	
104	280-7892	CORD CLAMP TL-19AN	
105	280-0419	HARNESS LUG	
201	008-T00425-0B	TMP PRF SCR TH BLK M4x25	
202	030-000625-SB	HEX BLT W/S BLK M6x25	
203	030-000630-W	HEX BLT W/FS M6x30	
204	050-H01600-3	HEX NUT TYPE3 M16	
205	000-P00425-W	M SCR PH W/FS M4x25	
206	011-F00312	TAP SCR #1 FH 3x12	
207	011-T03512	TAP SCR TH 3.5x12	
301	LGD-60043	WH WOOFER	
302	LGD-60044	WH AC FCL REAR CABI	

**(33) LGD-1570
AIR UNIT REAR L <Hong Kong, Taiwan>**



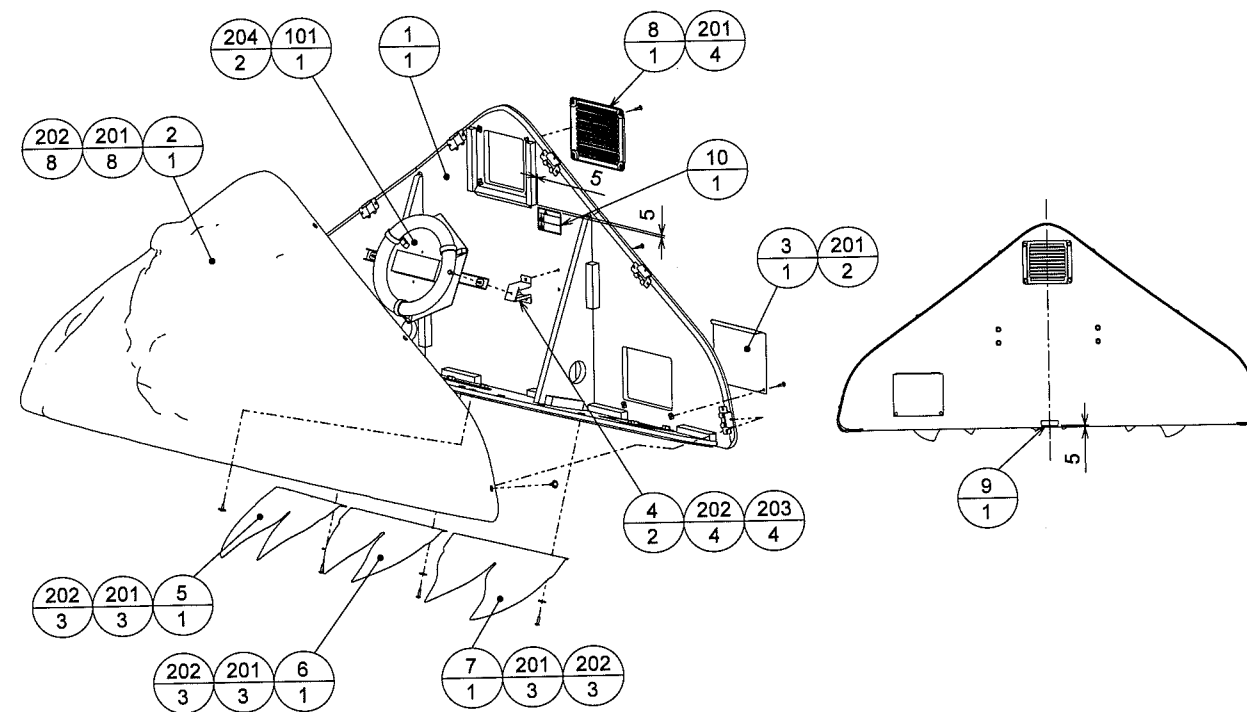
ITEM NO.	PART NO.	DESCRIPTION	NOTE
1	LGD-1571	REAR AIR COVER L	
2	LGD-1572	REAR AIR BRKT	
101	601-12768	AIR JOINT 4-6 SMC KQ2N04-06	
102	601-12769	AIR JOINT ELBOW SMC KQ2LE06-00	
201	050-F00400	FLG NUT M4	

**(34) LGD-1580
AIR UNIT REAR R <Hong Kong, Taiwan>**



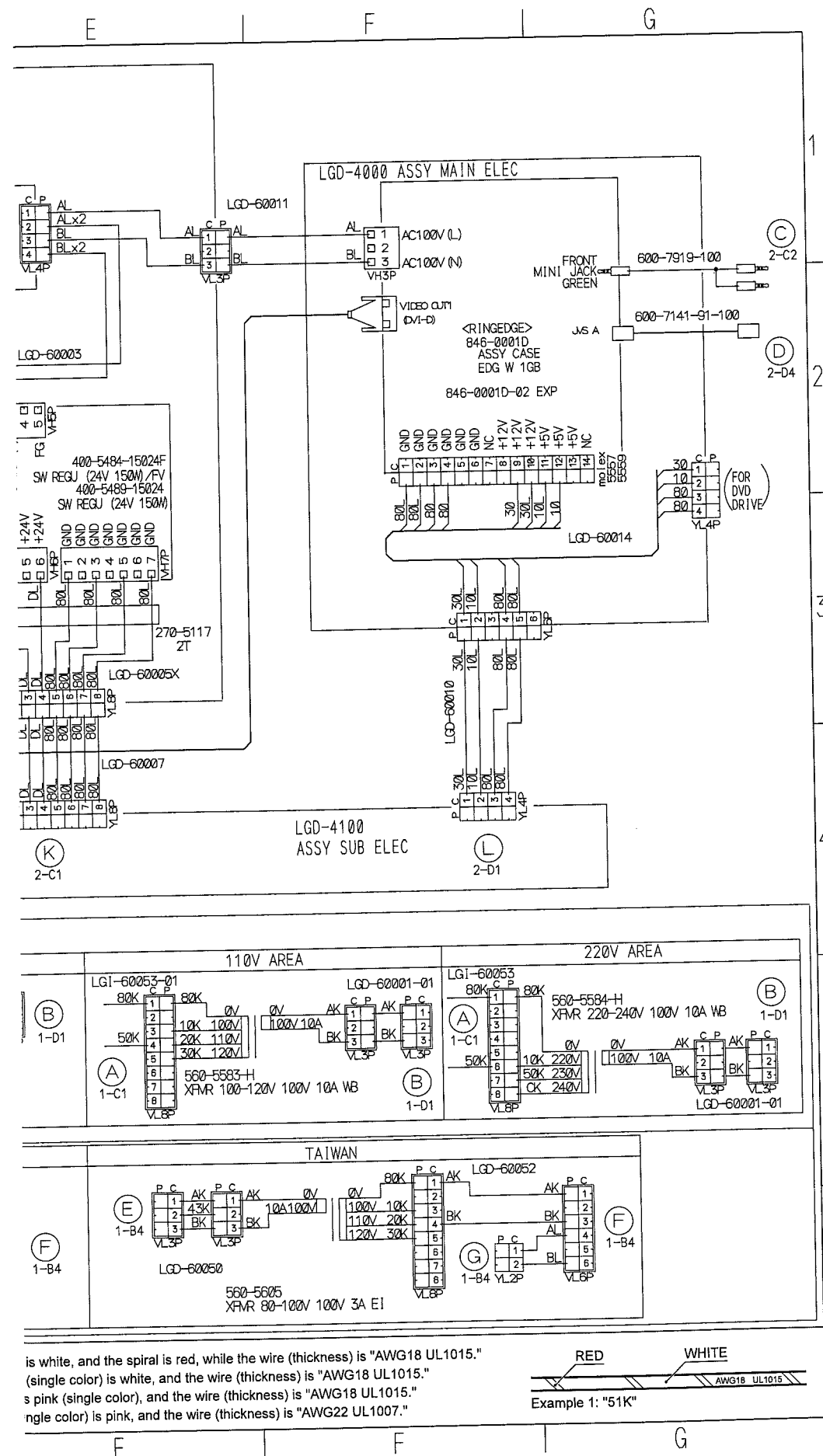
ITEM NO.	PART NO.	DESCRIPTION	NOTE
1	LGD-1581	REAR AIR COVER R	
2	LGD-1572	REAR AIR BRKT	
101	601-12768	AIR JOINT 4-6 SMC KQ2N04-06	
102	601-12769	AIR JOINT ELBOW SMC KQ2LE06-00	
201	050-F00400	FLG NUT M4	

**(35) LGD-1600
ASSY SHARK BILLBOARD**



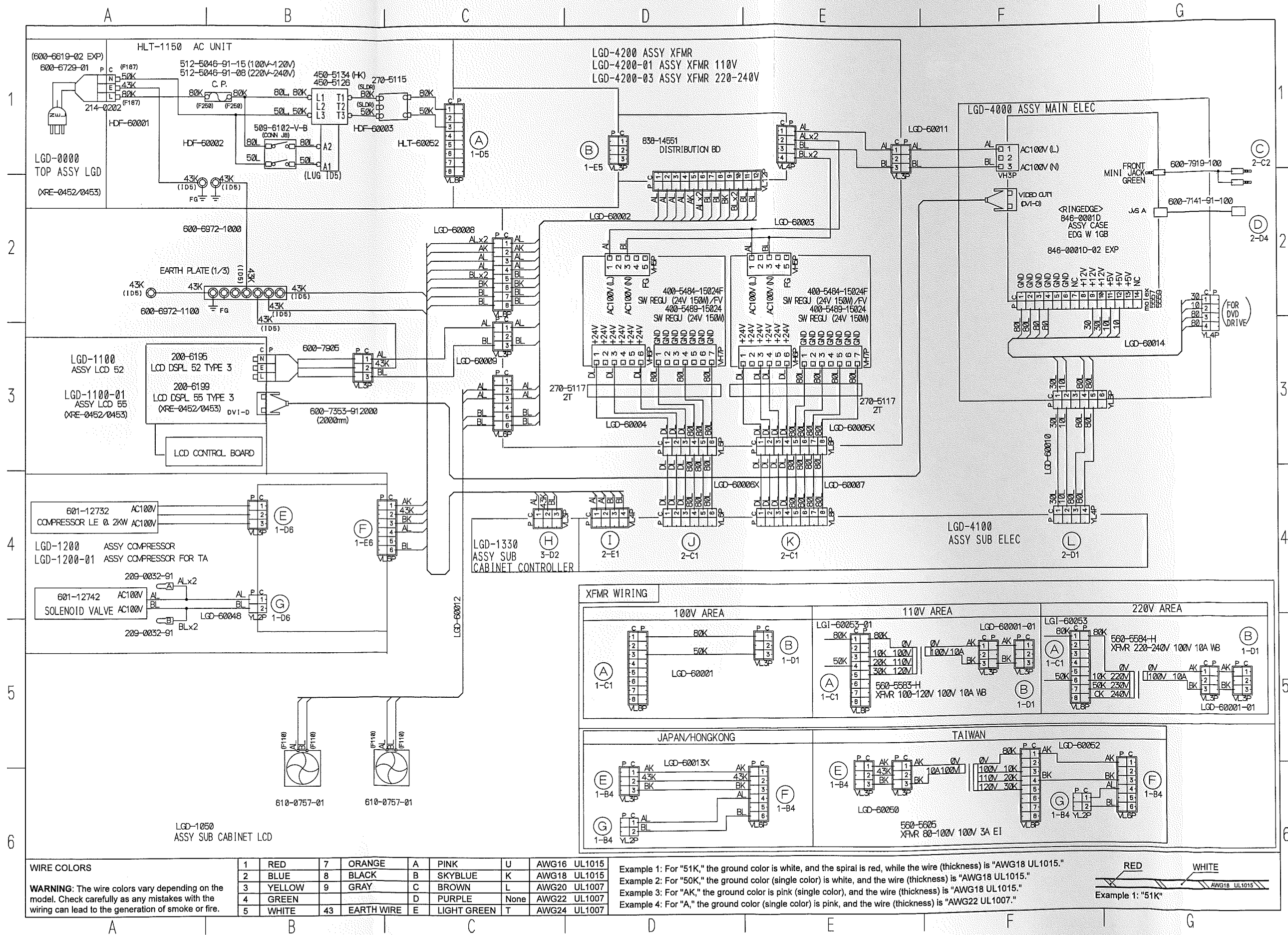
ITEM NO.	PART NO.	DESCRIPTION	NOTE
1	LGD-1601	BILLBOARD BASE	
2	LGD-1602	SHARK BILLBOARD COVER	
3	LGD-1603	BILLBOARD REAR LID	
4	LGD-1604	FCL BRKT	
5	LGD-1605	SHARK TEETH L	
6	LGD-1606	SHARK TEETH C	
7	LGD-1607	SHARK TEETH R	
8	253-5460-01	AIR VENT BLACK	
10	440-WS0300XEG	STICKER W POWER OFF & HI TEMP EG	
101	390-6918-30EX91	ASSY FCL 30W EX W/CONN VL	
102	280-0419	HARNESS LUG	
201	000-T00416-0B	M SCR TH BLK M4x16	
202	068-441616-0B	FLT WSHR BLK 4.4-16x1.6	
203	000-T00420-0B	M SCR TH BLK M4x20	
204	000-P00416-W	M SCR PH W/FS M4x16	
205	011-T03512	TAP SCR TH 3.5x12	
301	LGD-60047	WH AC FCL	

23



23

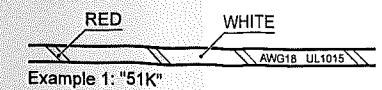
23 WIRING DIAGRAM <Hong Kong, Taiwan> (D-1/3)



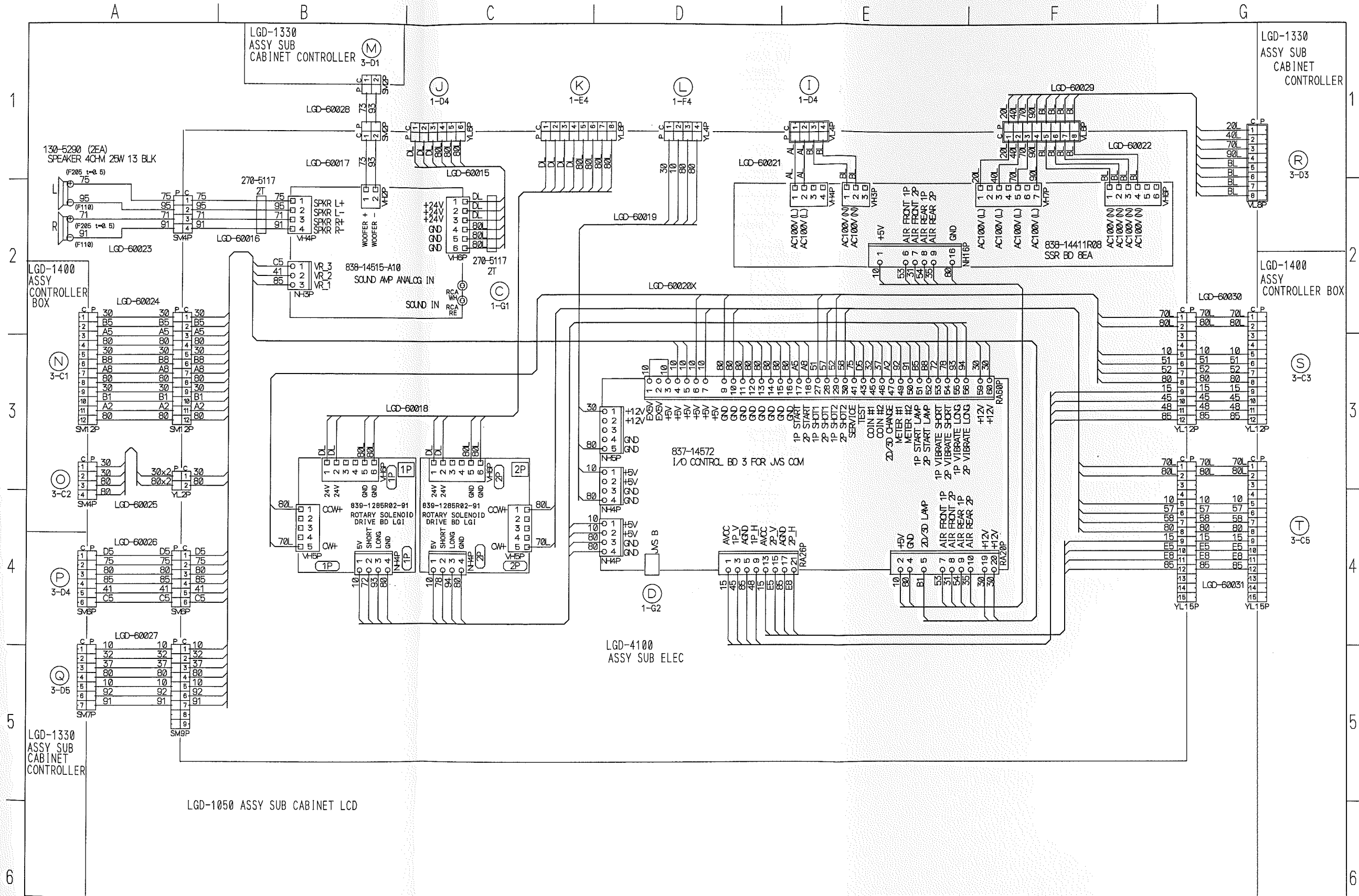
WIRE COLORS

1	RED	7	ORANGE	A	PINK	U	AWG16 UL1015
2	BLUE	8	BLACK	B	SKYBLUE	K	AWG18 UL1015
3	YELLOW	9	GRAY	C	BROWN	L	AWG20 UL1007
4	GREEN			D	PURPLE	None	AWG22 UL1007
5	WHITE	43	EARTH WIRE	E	LIGHT GREEN	T	AWG24 UL1007

Example 1: For "51K," the ground color is white, and the spiral is red, while the wire (thickness) is "AWG18 UL1015."
 Example 2: For "50K," the ground color (single color) is white, and the wire (thickness) is "AWG18 UL1015."
 Example 3: For "AK," the ground color is pink (single color), and the wire (thickness) is "AWG18 UL1015."
 Example 4: For "A," the ground color (single color) is pink, and the wire (thickness) is "AWG22 UL1007."

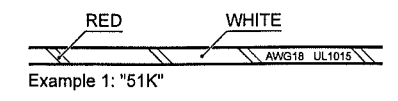


(D-2/3)

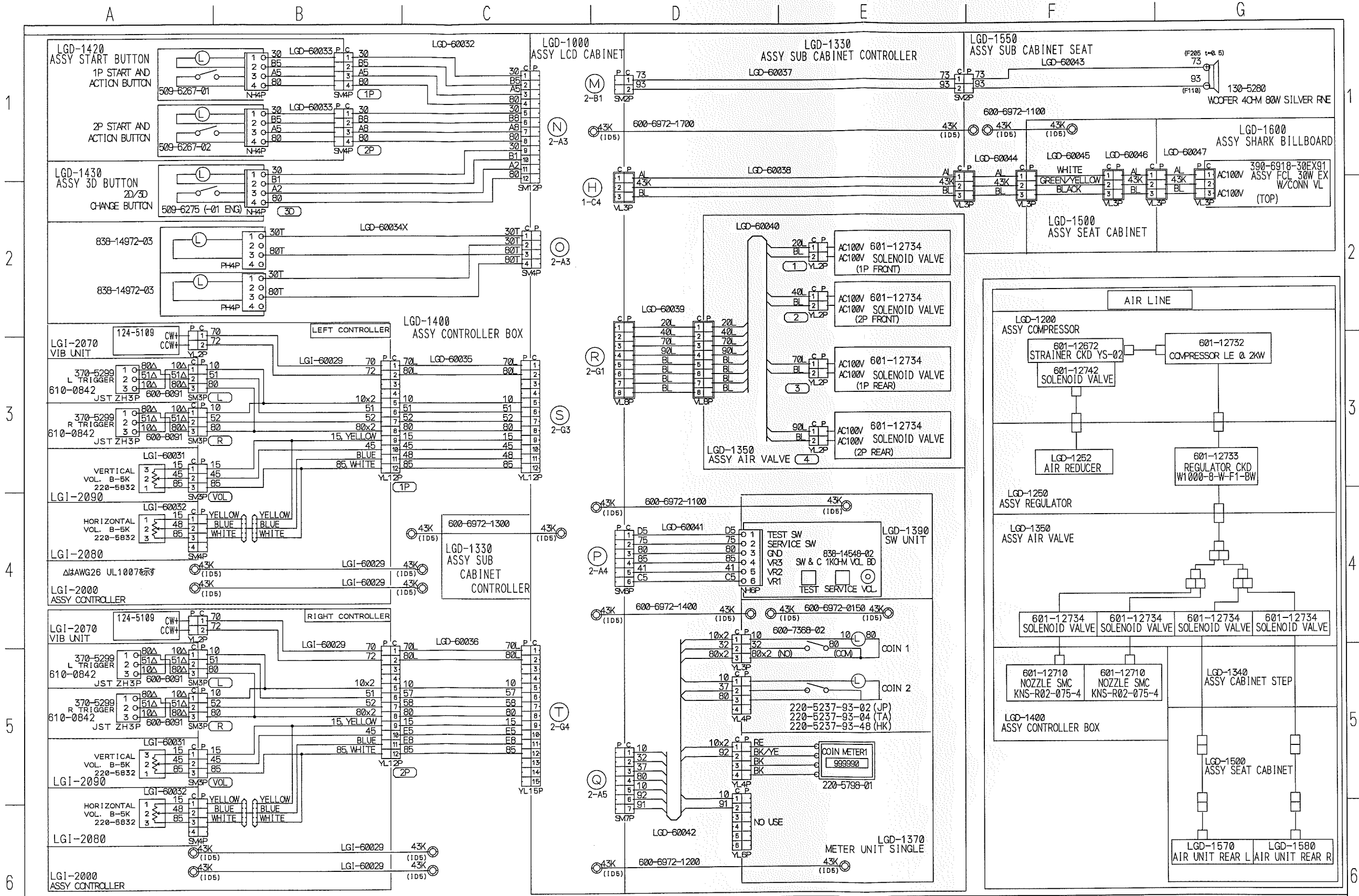


WIRE COLORS			
1	RED	7	ORANGE
2	BLUE	8	BLACK
3	YELLOW	9	GRAY
4	GREEN		
5	WHITE	43	EARTH WIRE
		A	PINK
		B	SKYBLUE
		C	BROWN
		D	PURPLE
		E	LIGHT GREEN
		U	AWG16 UL1015
		K	AWG18 UL1015
		L	AWG20 UL1007
		None	AWG22 UL1007
		T	AWG24 UL1007

Example 1: For "51K," the ground color is white, and the spiral is red, while the wire (thickness) is "AWG18 UL1015."
 Example 2: For "50K," the ground color (single color) is white, and the wire (thickness) is "AWG18 UL1015."
 Example 3: For "AK," the ground color is pink (single color), and the wire (thickness) is "AWG18 UL1015."
 Example 4: For "A," the ground color (single color) is pink, and the wire (thickness) is "AWG22 UL1007."



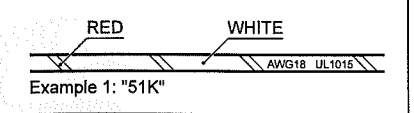
(D-3/3)



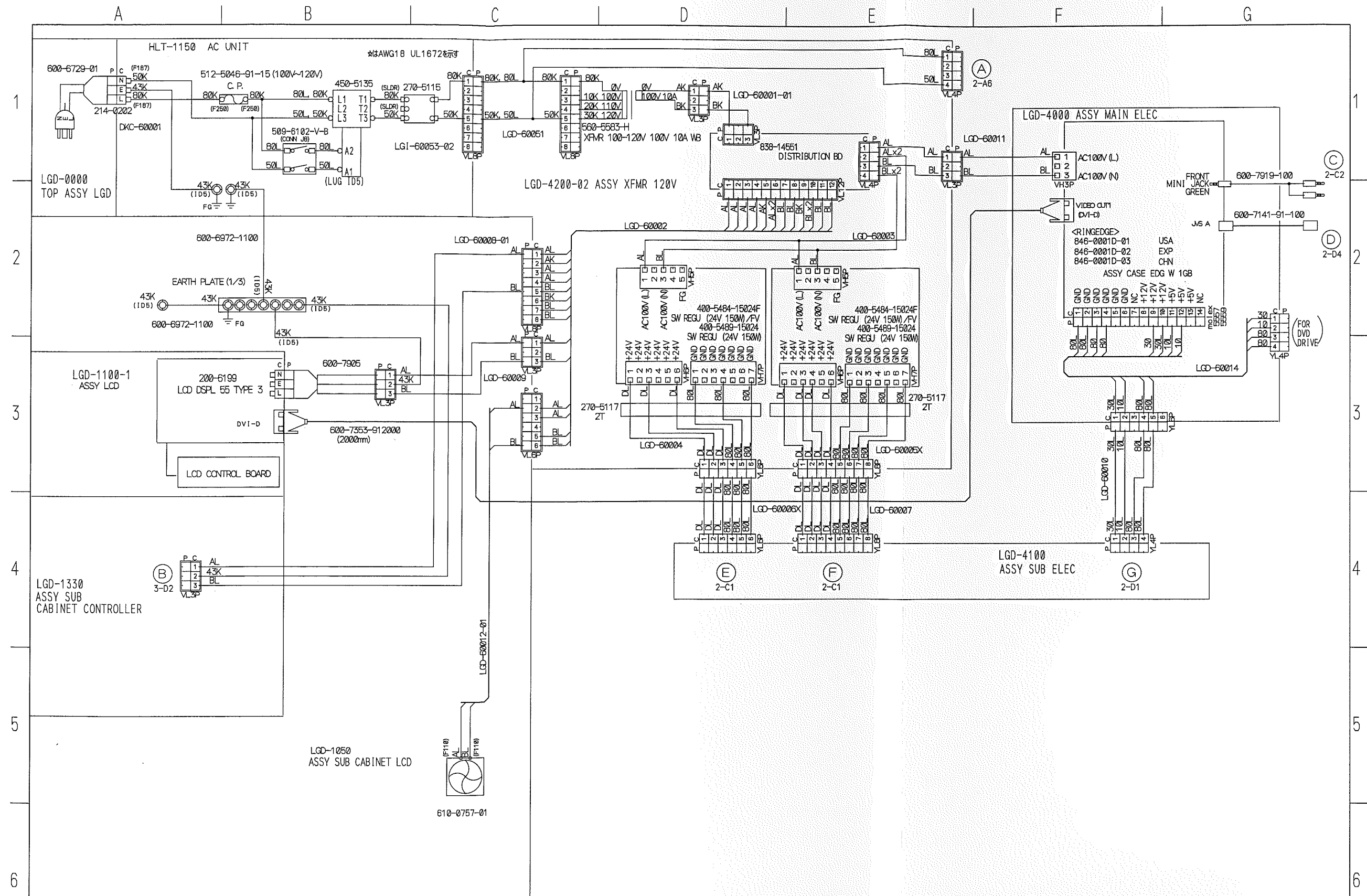
WIRE COLORS		WIRE COLORS		WIRE COLORS		WIRE COLORS	
1	RED	7	ORANGE	A	PINK	U	AWG16 UL1015
2	BLUE	8	BLACK	B	SKYBLUE	K	AWG18 UL1015
3	YELLOW	9	GRAY	C	BROWN	L	AWG20 UL1007
4	GREEN			D	PURPLE	None	AWG22 UL1007
5	WHITE	43	EARTH WIRE	E	LIGHT GREEN	T	AWG24 UL1007

WARNING: The wire colors vary depending on the model. Check carefully as any mistakes with the wiring can lead to the generation of smoke or fire.

Example 1: For "51K," the ground color is white, and the spiral is red, while the wire (thickness) is "AWG18 UL1015."
 Example 2: For "50K," the ground color (single color) is white, and the wire (thickness) is "AWG18 UL1015."
 Example 3: For "AK," the ground color is pink (single color), and the wire (thickness) is "AWG18 UL1015."
 Example 4: For "A," the ground color (single color) is pink, and the wire (thickness) is "AWG22 UL1007."



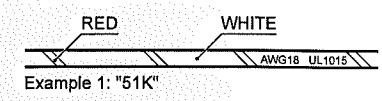
WIRING DIAGRAM <US> (D-1/3)



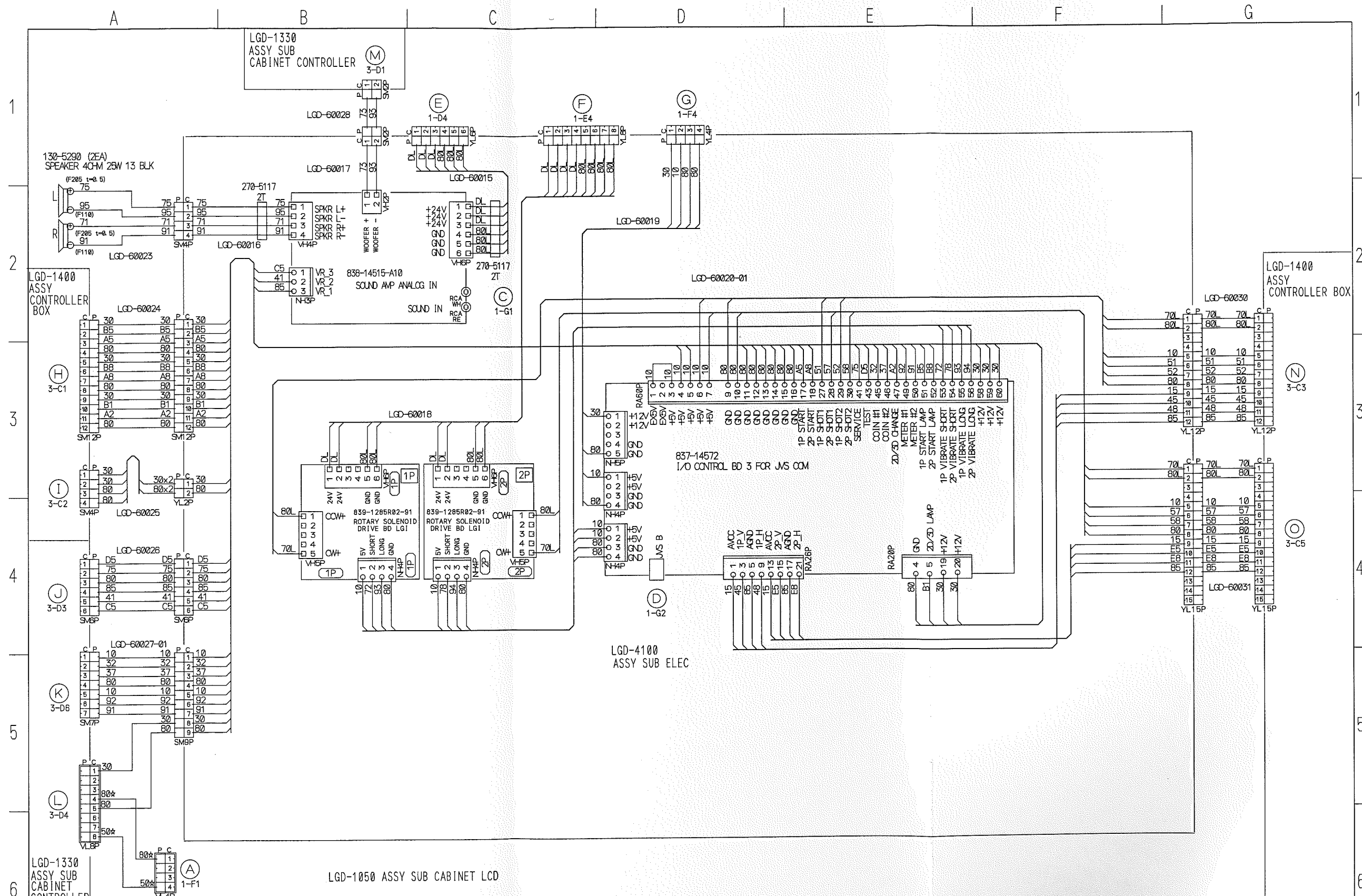
WIRE COLORS			
1	RED	7	ORANGE
2	BLUE	8	BLACK
3	YELLOW	9	GRAY
4	GREEN		
5	WHITE	43	EARTH WIRE

A	PINK	U	AWG16 UL1015
B	SKYBLUE	K	AWG18 UL1015
C	BROWN	L	AWG20 UL1007
D	PURPLE	None	AWG22 UL1007
E	LIGHT GREEN	T	AWG24 UL1007

Example 1: For "51K," the ground color is white, and the spiral is red, while the wire (thickness) is "AWG18 UL1015."
 Example 2: For "50K," the ground color (single color) is white, and the wire (thickness) is "AWG18 UL1015."
 Example 3: For "AK," the ground color is pink (single color), and the wire (thickness) is "AWG22 UL1007."
 Example 4: For "A," the ground color (single color) is pink, and the wire (thickness) is "AWG22 UL1007."



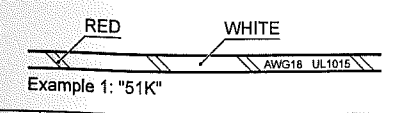
(D-2/3)



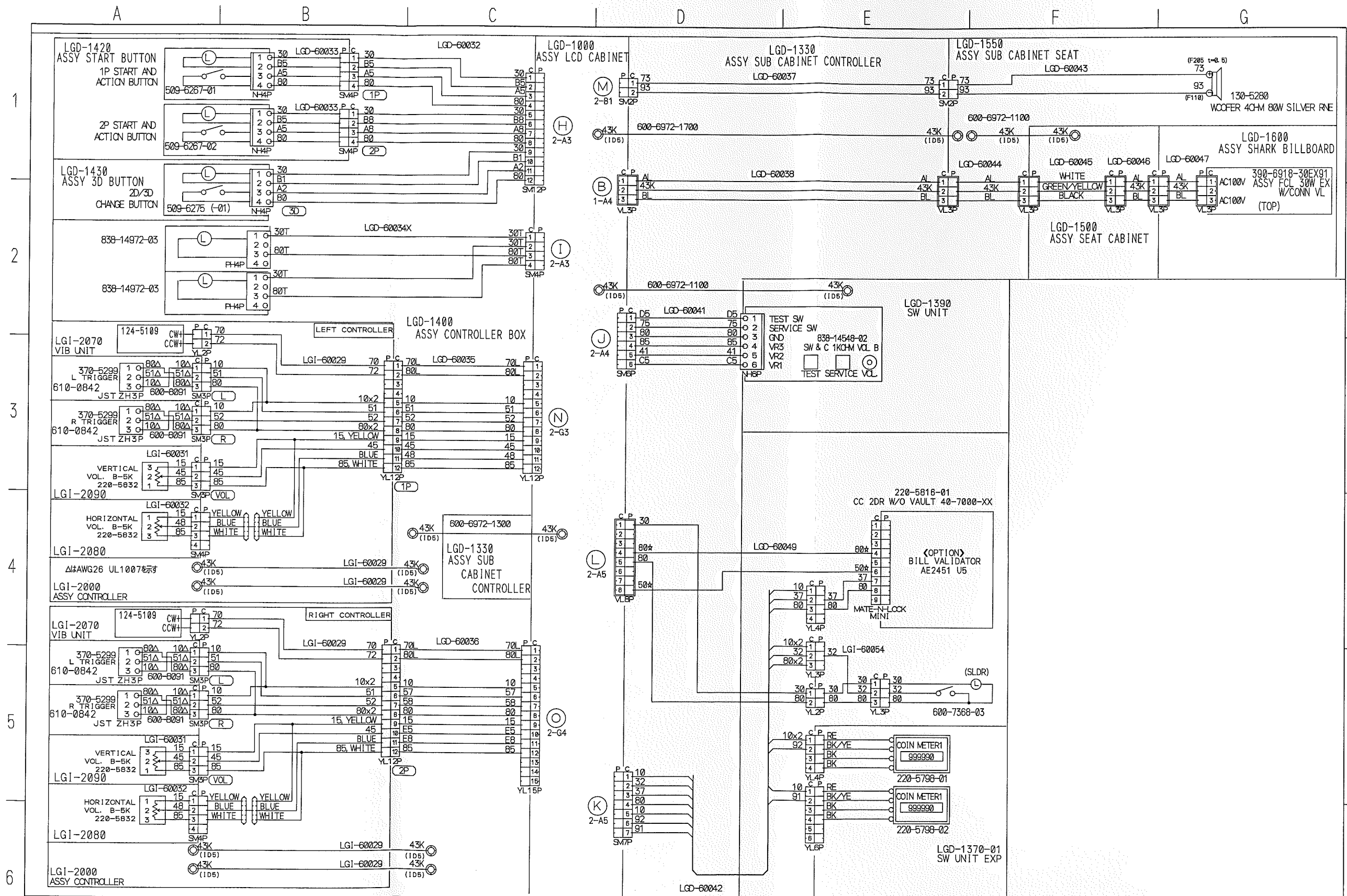
WIRE COLORS									
1	RED	7	ORANGE	A	PINK	U	AWG16	UL1015	
2	BLUE	8	BLACK	B	SKYBLUE	K	AWG18	UL1015	
3	YELLOW	9	GRAY	C	BROWN	L	AWG20	UL1007	
4	GREEN			D	PURPLE	None	AWG22	UL1007	
5	WHITE	43	EARTH WIRE	E	LIGHT GREEN	T	AWG24	UL1007	

WARNING: The wire colors vary depending on the model. Check carefully as any mistakes with the wiring can lead to the generation of smoke or fire.

Example 1: For "51K," the ground color is white, and the spiral is red, while the wire (thickness) is "AWG18 UL1015."
 Example 2: For "50K," the ground color (single color) is white, and the wire (thickness) is "AWG18 UL1015."
 Example 3: For "AK," the ground color is pink (single color), and the wire (thickness) is "AWG18 UL1015."
 Example 4: For "A," the ground color (single color) is pink, and the wire (thickness) is "AWG22 UL1007."



(D-3/3)

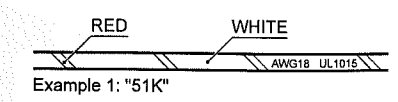


WIRE COLORS

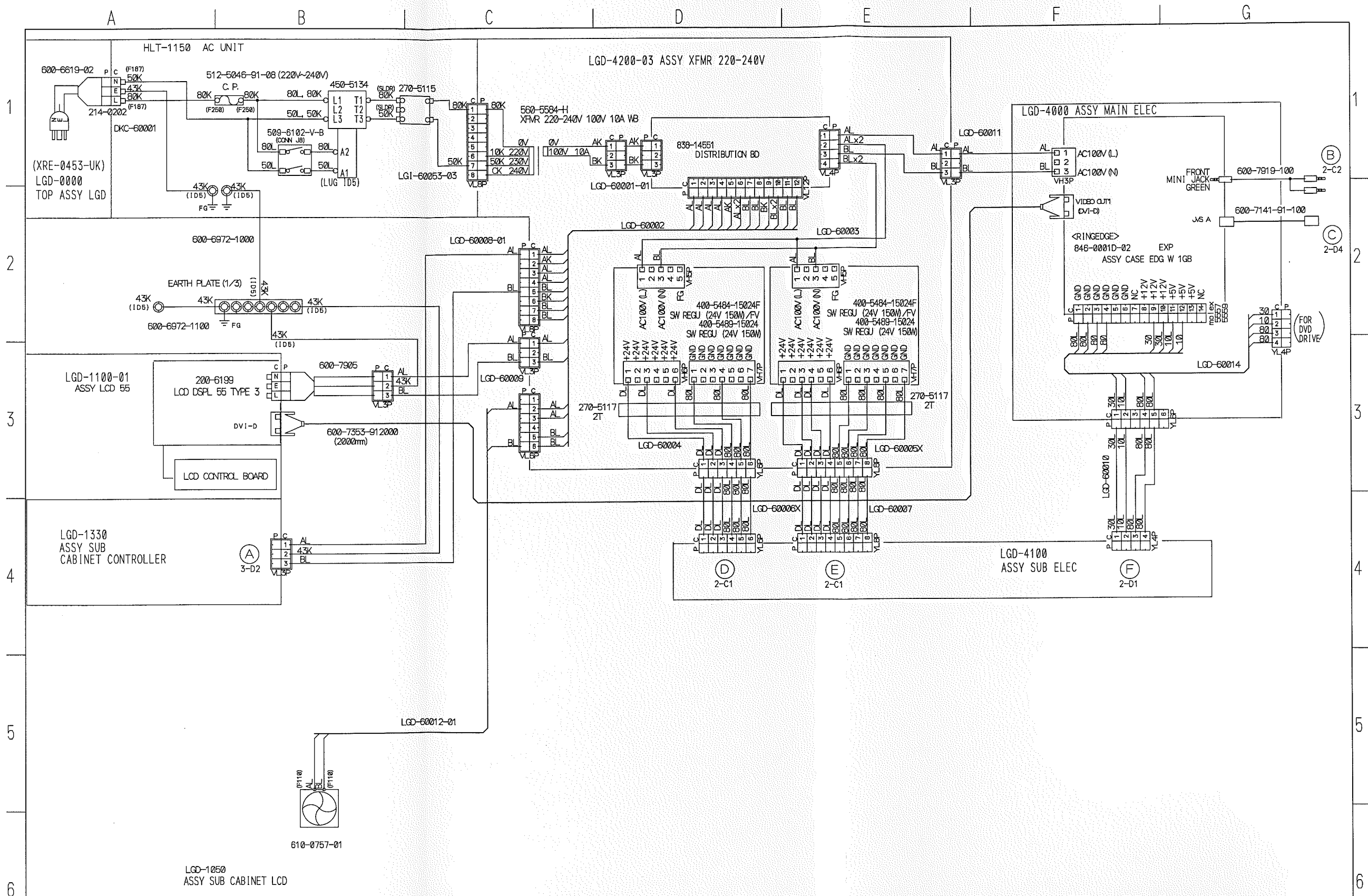
1	RED	7	ORANGE	A	PINK	U	AWG16 UL1015
2	BLUE	8	BLACK	B	SKYBLUE	K	AWG18 UL1015
3	YELLOW	9	GRAY	C	BROWN	L	AWG20 UL1007
4	GREEN			D	PURPLE	None	AWG22 UL1007
5	WHITE	43	EARTH WIRE	E	LIGHT GREEN	T	AWG24 UL1007

WARNING: The wire colors vary depending on the model. Check carefully as any mistakes with the wiring can lead to the generation of smoke or fire.

Example 1: For "51K," the ground color is white, and the spiral is red, while the wire (thickness) is "AWG18 UL1015."
 Example 2: For "50K," the ground color (single color) is white, and the wire (thickness) is "AWG18 UL1015."
 Example 3: For "AK," the ground color is pink (single color), and the wire (thickness) is "AWG18 UL1015."
 Example 4: For "A," the ground color (single color) is pink, and the wire (thickness) is "AWG22 UL1007."

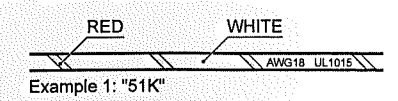


WIRING DIAGRAM <UK> (D-1/3)

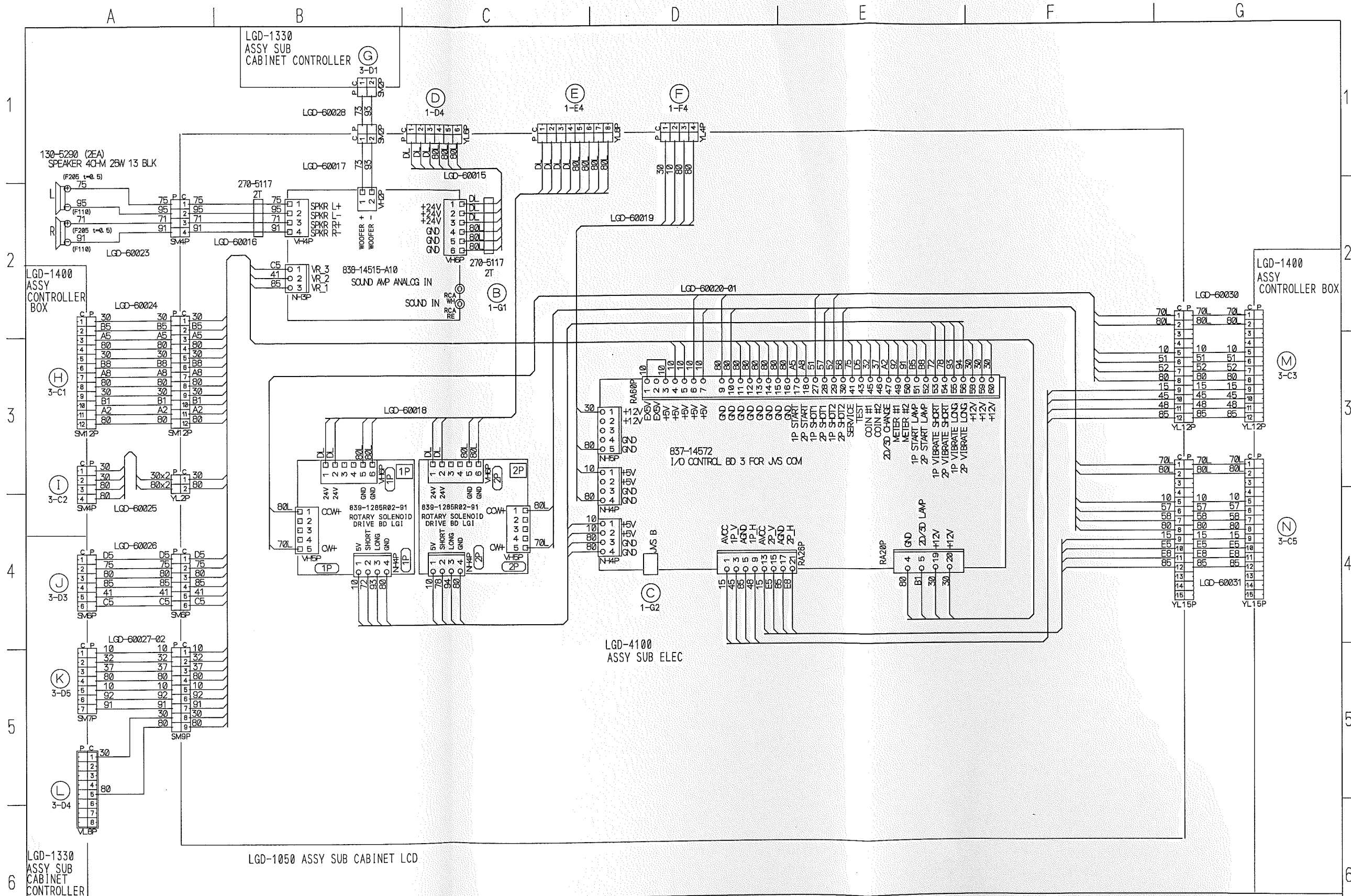


WIRE COLORS					
1	RED	7	ORANGE	A	PINK
2	BLUE	8	BLACK	B	SKYBLUE
3	YELLOW	9	GRAY	C	BROWN
4	GREEN	43	EARTH WIRE	D	PURPLE
5	WHITE			E	LIGHT GREEN
				U	AWG16 UL1015
				K	AWG18 UL1015
				L	AWG20 UL1007
				None	AWG22 UL1007
				T	AWG24 UL1007

Example 1: For "51K," the ground color is white, and the spiral is red, while the wire (thickness) is "AWG18 UL1015."
 Example 2: For "50K," the ground color (single color) is white, and the wire (thickness) is "AWG18 UL1015."
 Example 3: For "AK," the ground color is pink (single color), and the wire (thickness) is "AWG18 UL1015."
 Example 4: For "A," the ground color (single color) is pink, and the wire (thickness) is "AWG22 UL1007."

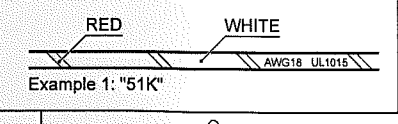


(D-2/3)

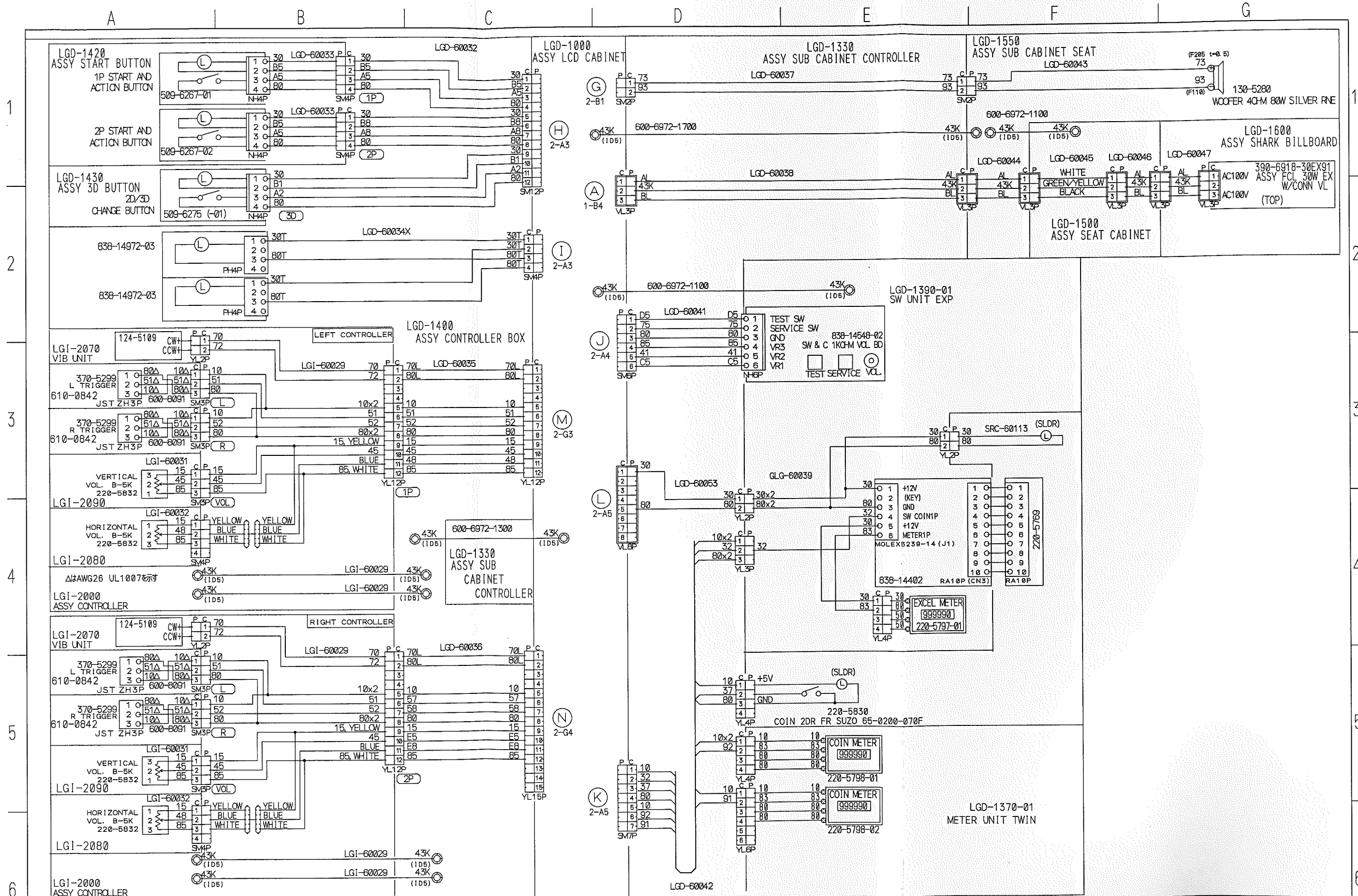


WIRE COLORS	
1	RED
2	BLUE
3	YELLOW
4	GREEN
5	WHITE
7	ORANGE
8	BLACK
9	GRAY
43	EARTH WIRE
A	PINK
B	SKYBLUE
C	BROWN
D	PURPLE
E	LIGHT GREEN
U	AWG16 UL1015
K	AWG18 UL1015
L	AWG20 UL1007
None	AWG22 UL1007
T	AWG24 UL1007

Example 1: For "51K," the ground color is white, and the spiral is red, while the wire (thickness) is "AWG18 UL1015."
 Example 2: For "50K," the ground color (single color) is white, and the wire (thickness) is "AWG18 UL1015."
 Example 3: For "AK," the ground color is pink (single color), and the wire (thickness) is "AWG18 UL1015."
 Example 4: For "A," the ground color (single color) is pink, and the wire (thickness) is "AWG22 UL1007."



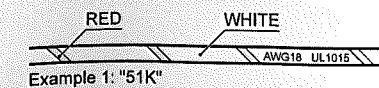
(D-3/3)



WIRE COLORS					
1	RED	7	ORANGE	A	PINK
2	BLUE	8	BLACK	B	SKYBLUE
3	YELLOW	9	GRAY	C	BROWN
4	GREEN			D	PURPLE
5	WHITE	43	EARTH WIRE	E	LIGHT GREEN
				U	AWG16 UL1015
				K	AWG18 UL1015
				L	AWG20 UL1007
				None	AWG22 UL1007
				T	AWG24 UL1007

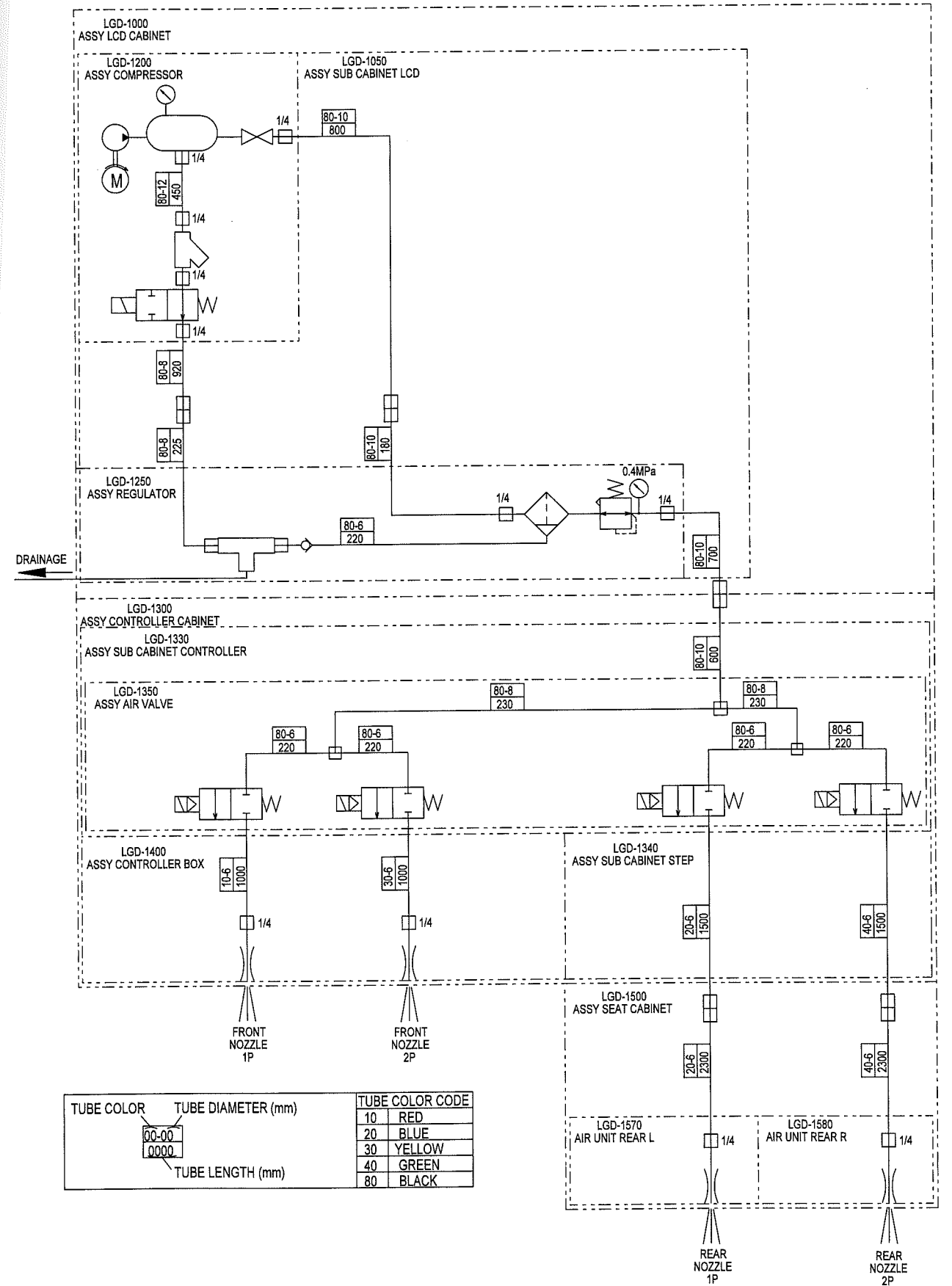
WARNING: The wire colors vary depending on the model. Check carefully as any mistakes with the wiring can lead to the generation of smoke or fire.

Example 1: For "51K," the ground color is white, and the spiral is red, while the wire (thickness) is "AWG18 UL1015."
 Example 2: For "50K," the ground color (single color) is white, and the wire (thickness) is "AWG18 UL1015."
 Example 3: For "AK," the ground color is pink (single color), and the wire (thickness) is "AWG18 UL1015."
 Example 4: For "A," the ground color (single color) is pink, and the wire (thickness) is "AWG22 UL1007."



24 PIPING DIAGRAM

<Hong Kong, Taiwan>



SEGA AMUSEMENTS OFFICES

SEGA AMUSEMENTS U.S.A., INC.

800 Arthur Avenue, Elk Grove Village, IL 60007-5215, U.S.A.

Telephone: +1-847-364-9787

Toll free: +1-888-877-2669

Facsimile: +1-847-427-1065

SEGA AMUSEMENTS EUROPE, LTD.

42, Barwell Business Park, Leatherhead Road, Chessington, Surrey, KT9 2NY United Kingdom

Telephone: +44 (0) 208 391 8090

Facsimile: +44 (0) 208 391 8099

e-mail: mailbox@sega.co.uk

<http://www.sega-amusements.co.uk>

SEGA CORPORATION

TRC Haneda Building, 2-13-1, Higashikojiya, Ohta-ku, Tokyo 144-0033, Japan

Telephone: +81-3-6863-8401

Facsimile: +81-3-6863-8407

420-7342-01



SEGA CORPORATION

TRC Haneda Building, 2-13-1, Higashikojiya, Ohta-ku, Tokyo 144-0033, Japan

Telephone: +81-3-6863-8401

Facsimile: +81-3-6863-8407

<http://sega.jp> (<http://am.sega.jp>)

© SEGA

The typefaces included herein are solely developed by DynaComware.

This software uses specially-designed fonts created under license from Fontworks Japan, Inc.

Fontworks Japan, Fontworks, and font names are trademarks or registered trademarks of Fontworks Japan, Inc.