

W I C O[®]

• THE SOURCE[™] •

INTRODUCES A NEW WAY TO OWN A GREAT GAME: THE SEGA CHAMPION BASEBALL CONVERSION KIT.

Sega[®] CHAMPION BASEBALL, the arcade sensation, is now available as a conversion kit from WICO. With it, you can turn over-the-hill machines into all-star performers. It's easy. It's fast. And it's a lot less expensive than a new machine.

CHAMPION BASEBALL has been a huge cash box success around the world and is fast becoming a smash here. With good reason. This is a game players really get into. They pick their team from one of twelve cities. They see the statistics of all their players. And they make all the decisions a big league manager is faced with. Bunt, steal, pitch-hit, it's all

Baseball
WICO SEGA CONVERSIONS

possible. Play is shown in two views — close-up inset of the pitcher and hitter and an overview of the entire field.

The WICO kit contains everything you need for conversion with any rasterscan monitor. All parts have that famous WICO quality built-in. So start your idle machine on a new career in the big leagues right now.

Each kit contains: Electronic Hardware; F.C.C. Board Cage; Connecting Wire Harness; Marquee Overlay; Side Decals; Buttons, Switches & Holder Assemblies; 4-Way Joystick; Mounting Hardware Kit; Control Button Decals; Player Instruction Decals; Technical Instruction Manual; Registration Card; Copyright Seal.



© 1984 Wico Corporation.
© 1983. License from SEGA Enterprises Limited.

SEGA[®] CHAMPION BASEBALL. A great game is now a great conversion kit.

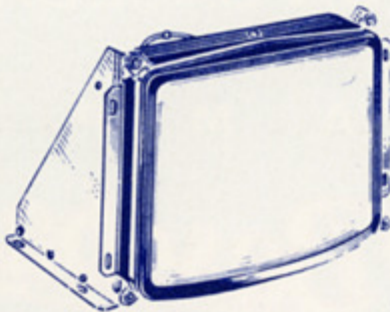
W I C O[®]

• **THE SOURCE**™ •

WICO PARTS KEEP GAMES PLAYING AND COINS DROPPING.

WICO's high quality replacement parts keep games playing longer and earning more. We're the largest supplier in the industry, with over 10,000 items in stock. We're at the forefront of arcade technology, with an unrivaled research and development department striving to meet the demands of tomorrow. And a responsive service department working to meet your needs today.

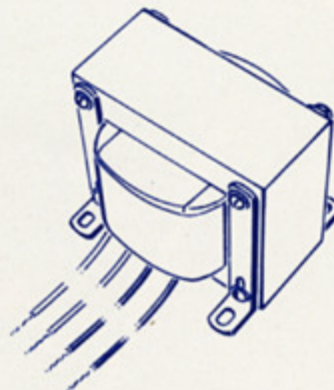
For over 40 years we've been providing the best parts, the best service, and the best value in the industry. That's how we live up to our name: WICO – THE SOURCE.



Electrohome DISPLAY MONITORS

U.S. Listed
C.S.A. Certified

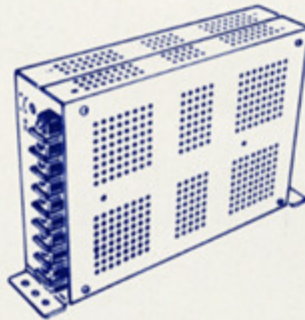
High quality, original equipment Display Monitors available with precision in-line 13 inch or 19 inch CRT formats. Designed to meet the high reliability and performance standards of the video game industry. In Horizontal or Vertical mounting.



Isolation TRANSFORMER

Isolates monitor from AC lines to reduce shock and protect equipment.

Input Volts: 115VAC
Output Volts: 115VAC
150 VA Rated.
2 Primary and 2 Secondary wire leads, 6½" long.
Mounting Centers: 3-1/8" x 2-3/4"
Four Mounting Slots: 7/32" x 3/8"



3-Output Switching D.C. POWER SUPPLY

A combination of switch-mode and IC post regulation technology to achieve effective cost reduction for Video Game and Microsized systems. The main output + 5V (typical load current 7A) is switch-mode regulated to achieve small size, light weight and high efficiency.

TOLL-FREE ORDER SERVICE

WEST CALIFORNIA

5584 E. Imperial Highway, South Gate, CA 90280
(213) 923-0381

800-421-9731/800-352-4151 CA

SOUTH-CENTRAL TEXAS

10514 King William Drive, Dallas, TX 75220
(214) 556-0356

800-527-9970/800-442-7901 TX

NORTH-CENTRAL ILLINOIS

6400 W. Gross Point Road, Niles, IL 60648
(312) 647-7500

800-323-0765/Except IL

NEVADA LAS VEGAS

2901 S. Highland Drive/Bldg. 13, Space B
Las Vegas, NV 89109
(702) 737-7508

NORTHEAST NEW JERSEY

26 Madison Road, Fairfield, NJ 07006
(201) 575-0515

800-526-2536/Except NJ

SOUTHEAST GEORGIA

6685 Jimmy Carter Blvd., Norcross, GA 30071
(404) 449-4212

800-241-5974/Except GA

CONTACT YOUR NEAREST WICO DISTRIBUTION CENTER