



US00D409149S

United States Patent [19] Oikawa

[11] Patent Number: Des. 409,149

[45] Date of Patent: ** May 4, 1999

[54] CONNECTOR CORD FOR VIDEO GAME CONTROLLER

[75] Inventor: Akitoshi Oikawa, Tokyo, Japan

[73] Assignee: Sega Enterprises, Ltd., Tokyo, Japan

[**] Term: 14 Years

[21] Appl. No.: 29/069,857

[22] Filed: May 16, 1997

[30] Foreign Application Priority Data

Nov. 20, 1996 [JP] Japan 8-35169

[51] LOC (6) Cl. 13-02

[52] U.S. Cl. D13/153; D13/147

[58] Field of Search D13/146, 147, D13/153; D14/117.1; 439/502; 237/148; 463/36

[56] References Cited

U.S. PATENT DOCUMENTS

D. 378,912	4/1997	Oikawa	D13/146
4,501,424	2/1985	Stone et al.	273/148 B
5,394,168	2/1995	Smith, III et al.	345/156
5,759,100	6/1998	Nakanishi	273/148 B X

FOREIGN PATENT DOCUMENTS

62-014527	1/1987	Japan	G06F 3/02
2-091595	7/1990	Japan	A63F 9/22
2-182281	7/1990	Japan	A63F 9/22
2-182282	7/1990	Japan	A63F 9/22
62-194389	12/1990	Japan	A63F 9/22
4-174694	6/1992	Japan	A63F 9/22
5-074589	10/1993	Japan	A63F 9/22
6-190144	7/1994	Japan	A63F 9/22

6-073841	10/1994	Japan	H01H 25/00
6-073842	10/1994	Japan	H01H 25/00
8-024439	1/1996	Japan	A63F 9/22
8-045392	2/1996	Japan	H01H 25/04
8-047581	2/1996	Japan	A63F 9/22

Primary Examiner—Joel Sincavage
Attorney, Agent, or Firm—Ladas & Parry

[57] CLAIM

The ornamental design for a connector cord for video game controller, as shown and described.

DESCRIPTION

FIG. 1 is a front bottom and right side perspective view of a connector cord for video game controller showing my new design;

FIG. 2 is a front view thereof;

FIG. 3 is a rear view thereof;

FIG. 4 is a top view thereof;

FIG. 5 is a bottom view thereof;

FIG. 6 is a right side view thereof, the left side view being a mirror image of the right side;

FIG. 7 is a cross sectional view thereof taken along line 7—7 in FIG. 2;

FIG. 8 is a cross sectional view thereof taken along line 8—8 in FIG. 2;

FIG. 9 is a top rear and right side perspective view thereof; and,

FIG. 10 is a perspective view thereof showing the state of use.

The cord in FIGS. 1, 2, 3, 6 and 9 is shown broken away for convenience of illustration. the broken line showing the controller in FIG. 10 is included for the purpose of illustrating environmental structure only and forms no part of the claimed design.

1 Claim, 6 Drawing Sheets

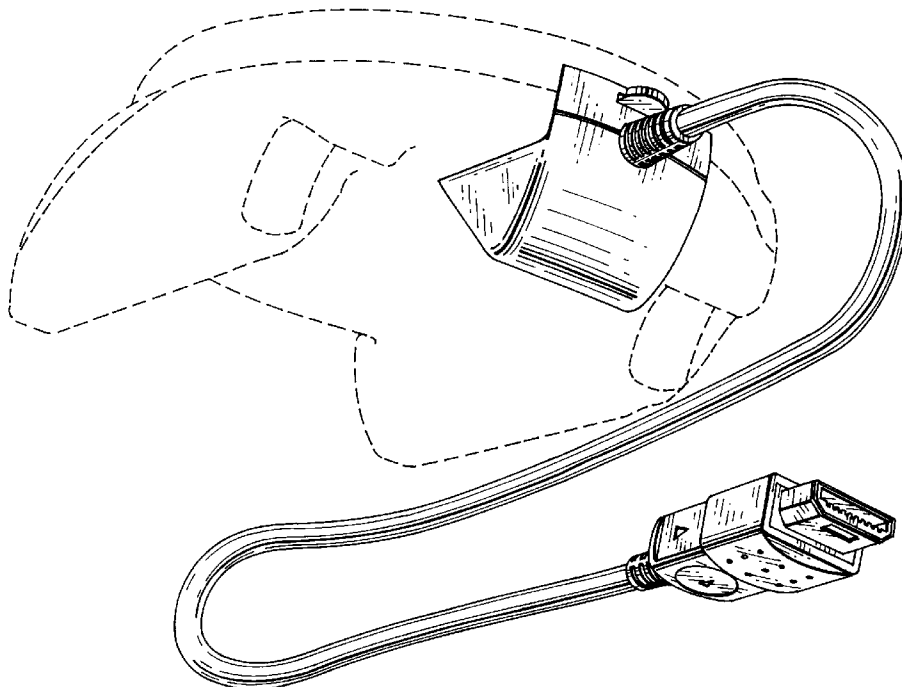


FIG. 1

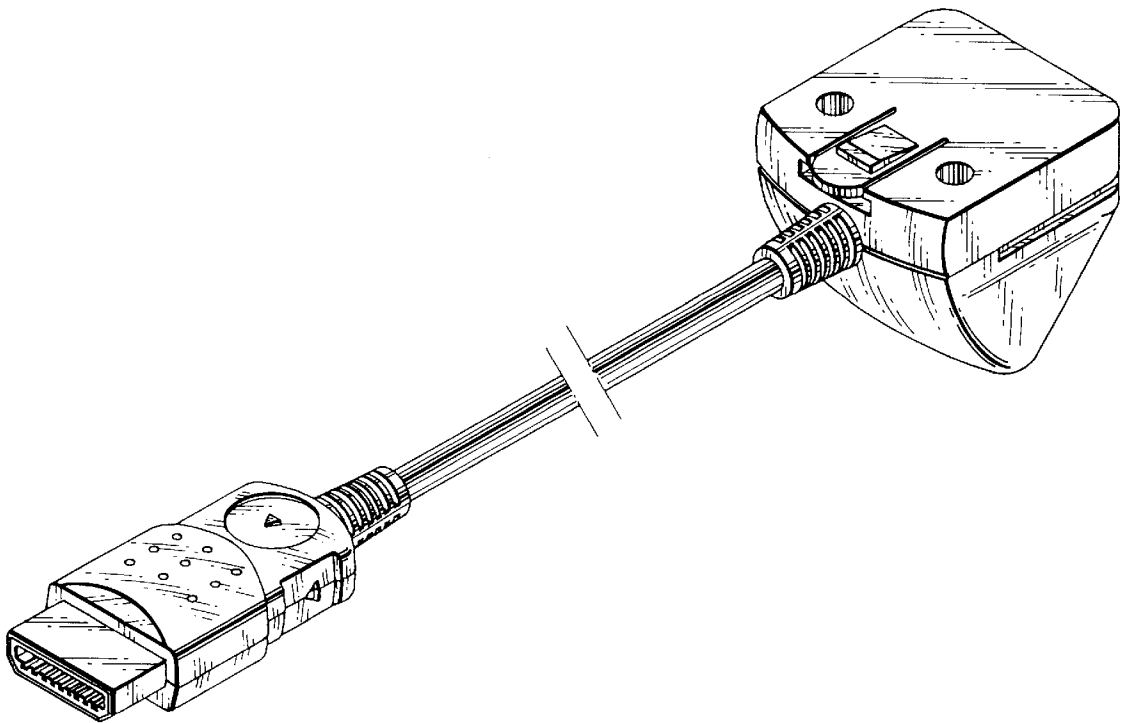


FIG. 2

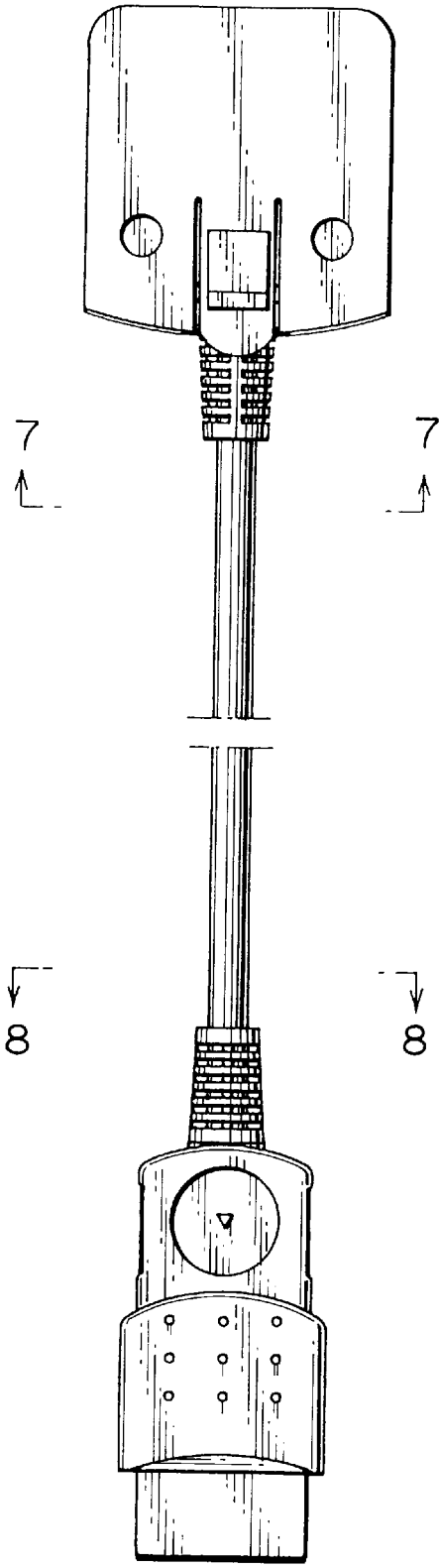


FIG. 3

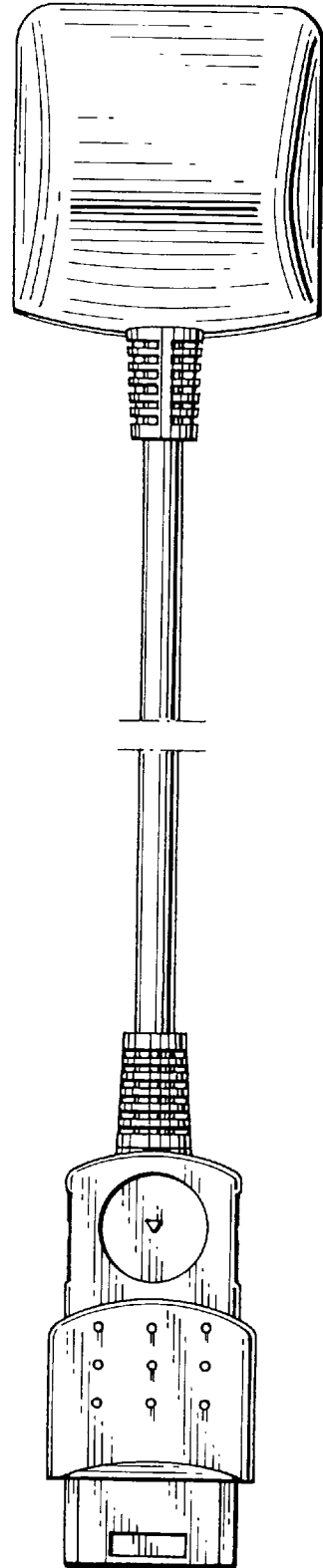


FIG. 4

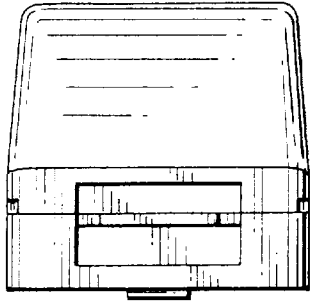


FIG. 5

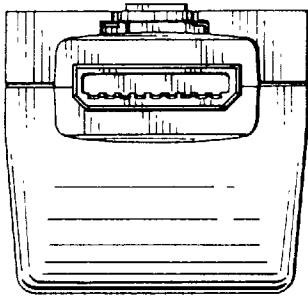


FIG. 6

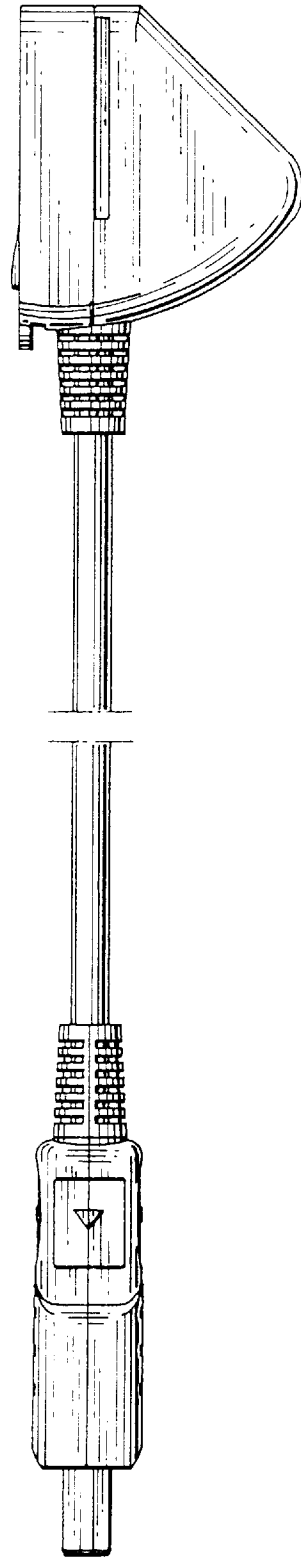


FIG. 7

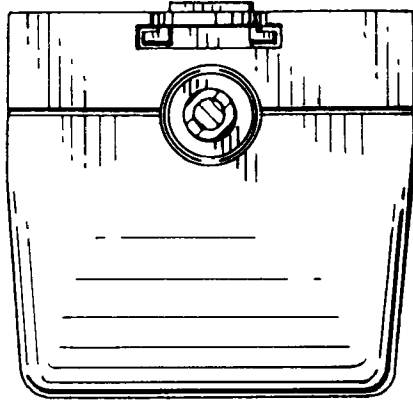


FIG. 8

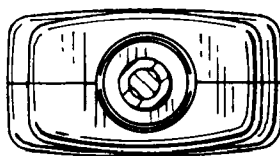


FIG. 9

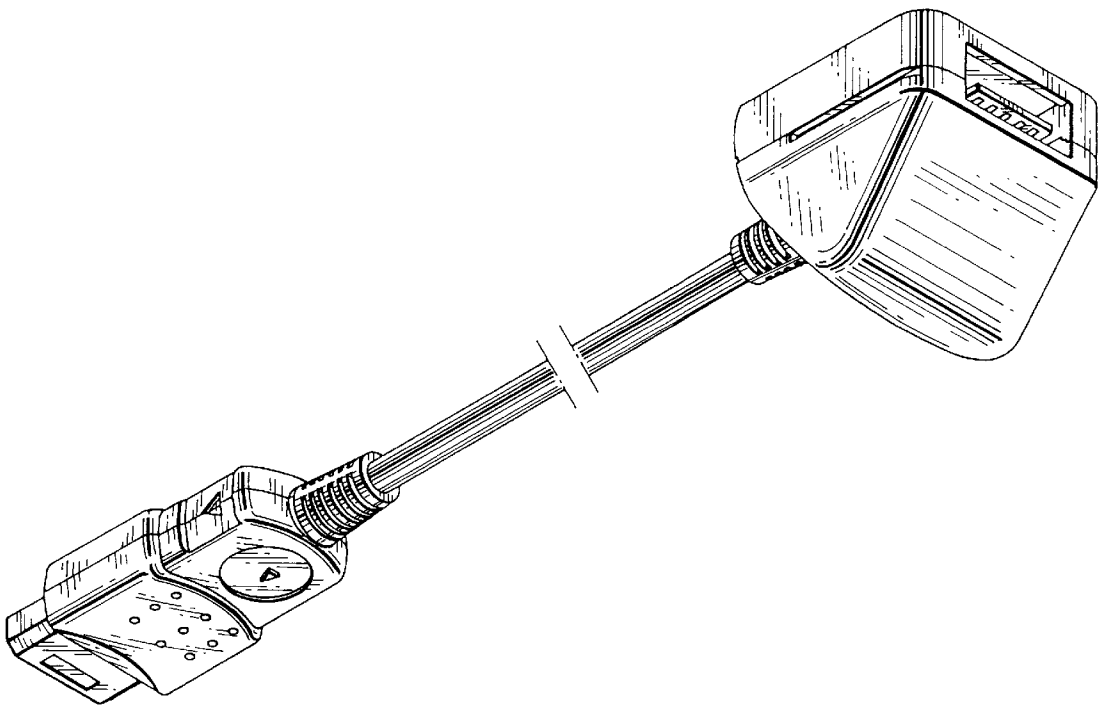


FIG.10

