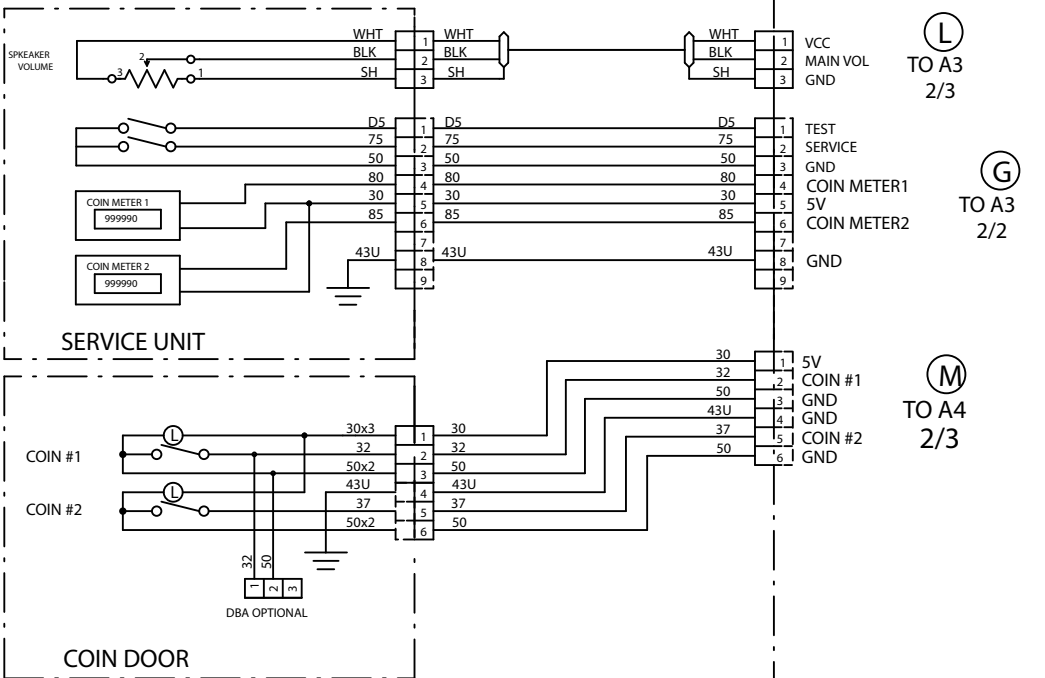
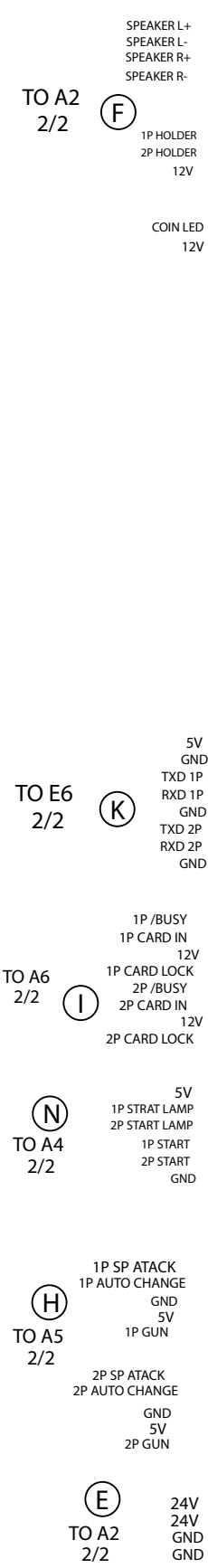
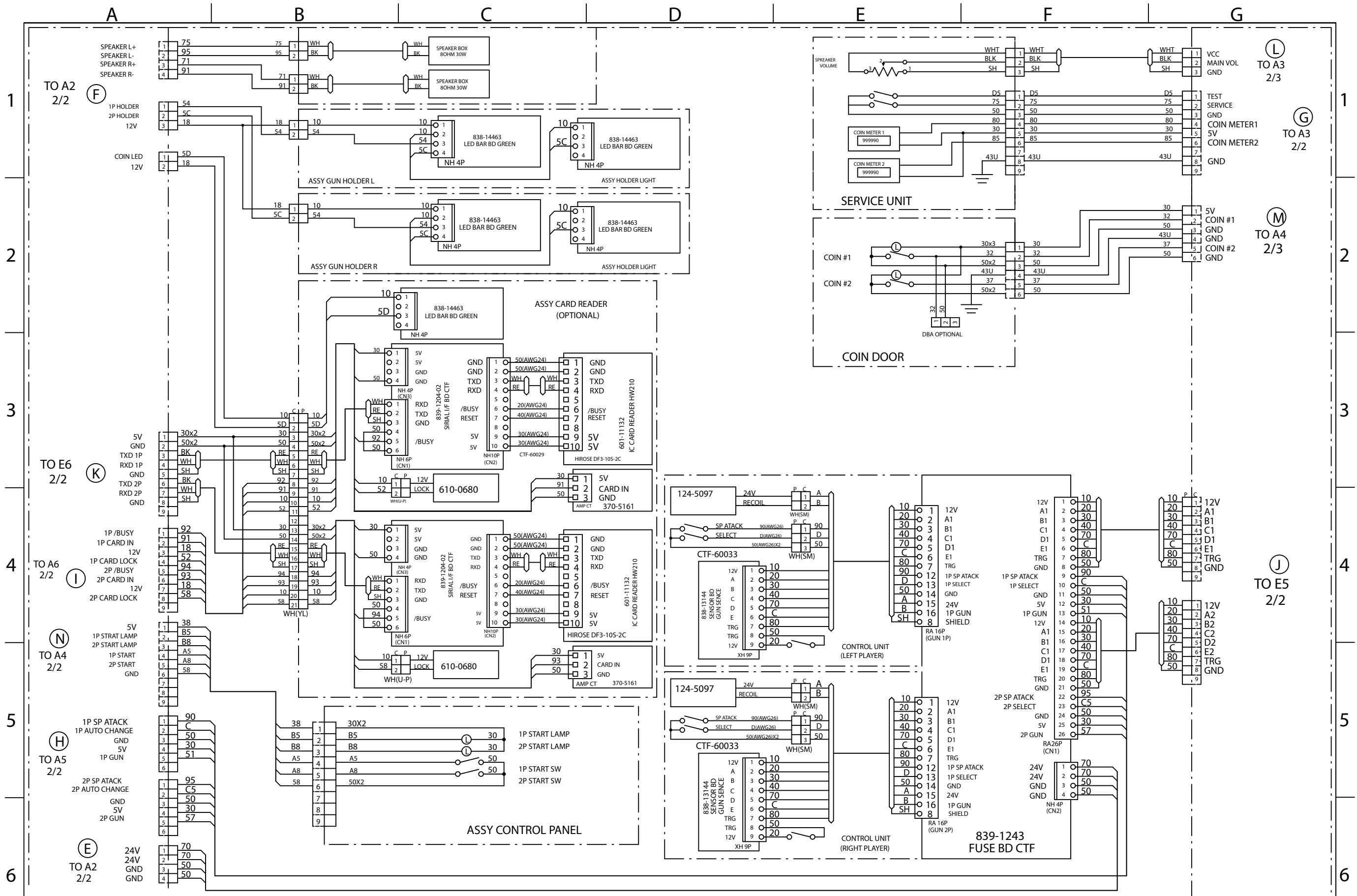


ALTERATION	DESCRIPTION
8	BLACK
7	ORANGE
5	WHITE
4	GREEN
3	YELLOW
2	BLUE
1	RED
E	LIGHT GREEN
D	PURPLE
C	BROWN
B	SKY BLUE
A	PINK
9	GRAY
.43	EARTH WIRE
U	AWG16 UL1015
X	AWG18 UL1015
Y	AWG20 UL1007
Z	AWG22 UL1007



8	BLACK	E	LIGHT GREEN	A3	EARTH WIRE
7	ORANGE	D	PURPLE	U	AWG16 UL1015
5	WHITE	C	BROWN	K	AWG18 UL1015
4	GREEN	B	SKY BLUE	L	AWG20 UL1007
3	YELLOW	A	PINK		AWG22 UL1007
2	BLUE		GRAY		
1	RED				