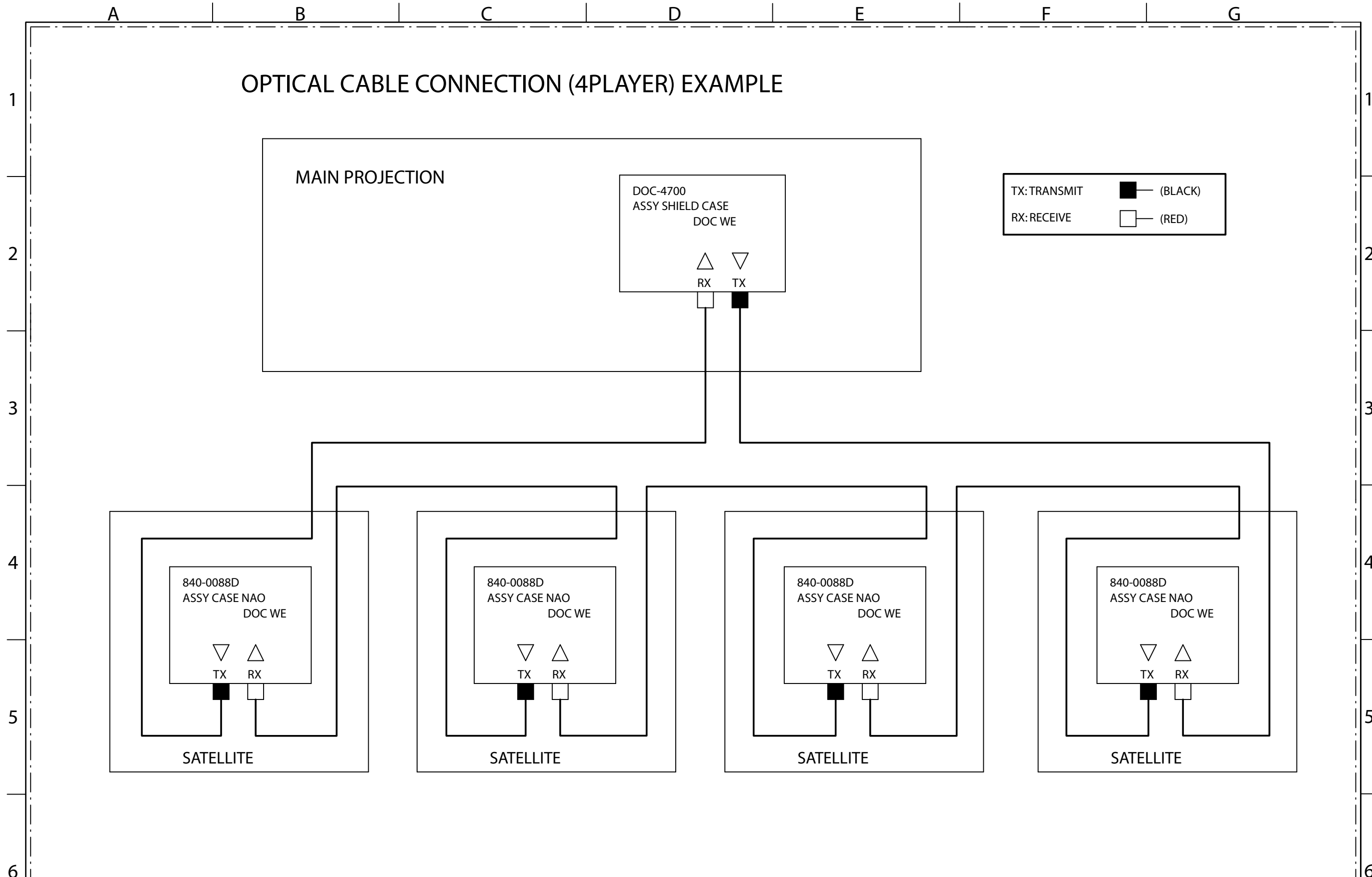


8	BLACK	E	LIGHT GREEN	43	EARTH WIRE
7	ORANGE	D	PURPLE	41	AWG16 UL1015
6	WHITE	C	BROWN	40	AWG18 UL1015
5	GREEN	B	SKY BLUE	39	AWG20 UL1007
4	YELLOW	A	PINK	38	AWG22 UL1007
3	BLUE	9	GRAY		
2					
1	RED				

**SEGA** SEGA CORPORATION  
**DOC 4 PLAYER MAIN UNIT** (1/3)

# OPTICAL CABLE CONNECTION (4PLAYER) EXAMPLE



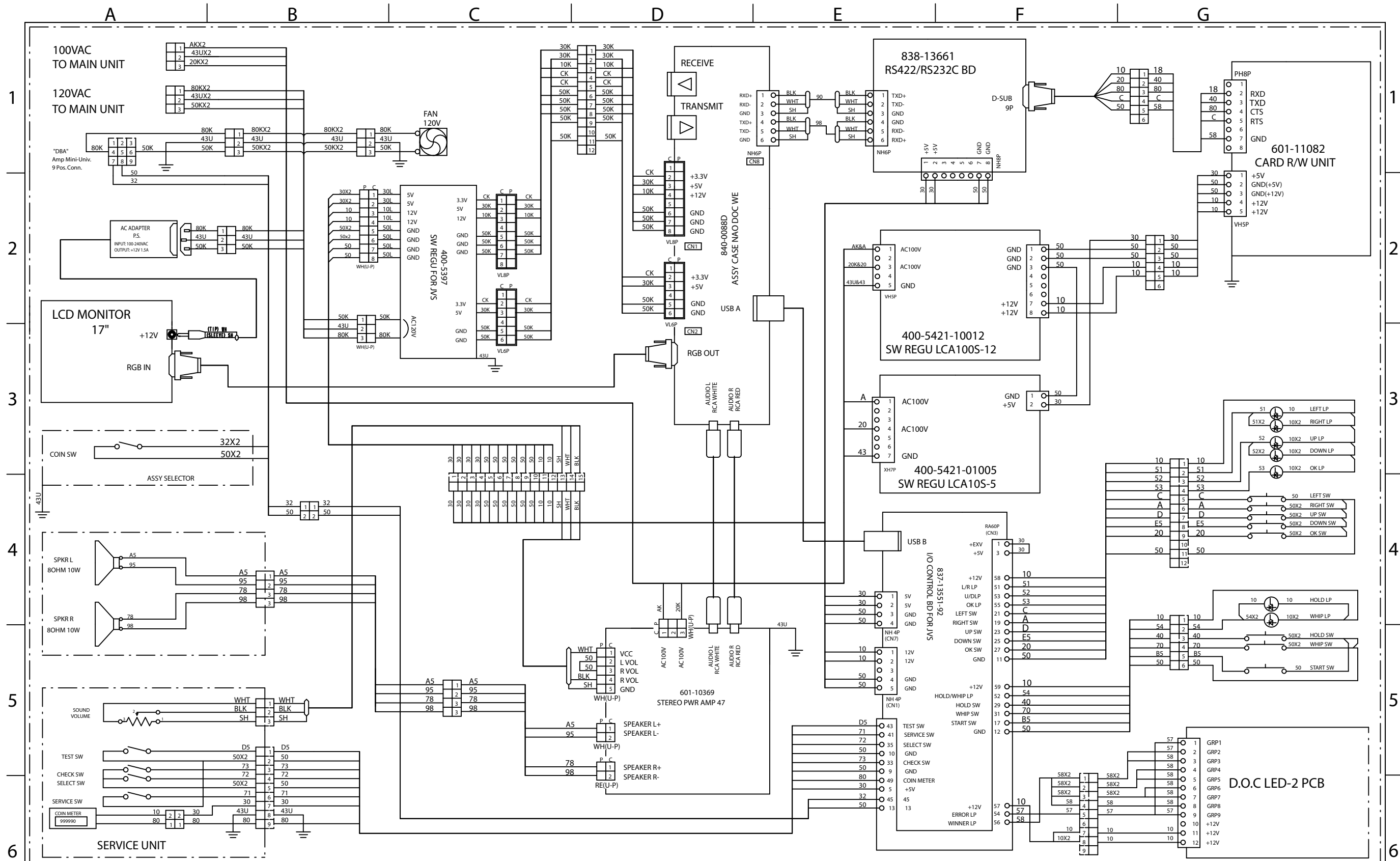
8	BLACK	E	LIGHT GREEN		
7	ORANGE	D	PURPLE	43	EARTH WIRE
5	WHITE				
4	GREEN	C	BROWN	U	AWG16 UL1015
3	YELLOW	B	SKY BLUE	K	AWG18 UL1015
2	BLUE	A	PINK	L	AWG20 UL1007
1	RED	9	GRAY	I	AWG22 UL1007

**SEGA** SEGA CORPORATION

DOC 4 PLAYER LINK

ALTERATION

DESCRIPTION



8	BLACK	E	LIGHT GREEN	43	EARTH WIRE
7	ORANGE	D	PURPLE		
5	WHITE	C	BROWN	U	AWG16, 18, 1015
4	GREEN	B	SKY BLUE	K	AWG18, 18, 1015
3	YELLOW	A	PINK	L	AWG20, 18, 1007
2	BLUE		GRAY		AWG22, 18, 1007
1	RED				

**SEGA** SEGA CORPORATION

**DOC 4 PLAYER SATELLITE**

(3/3)