

SEGA[®]

MONSTER GUN

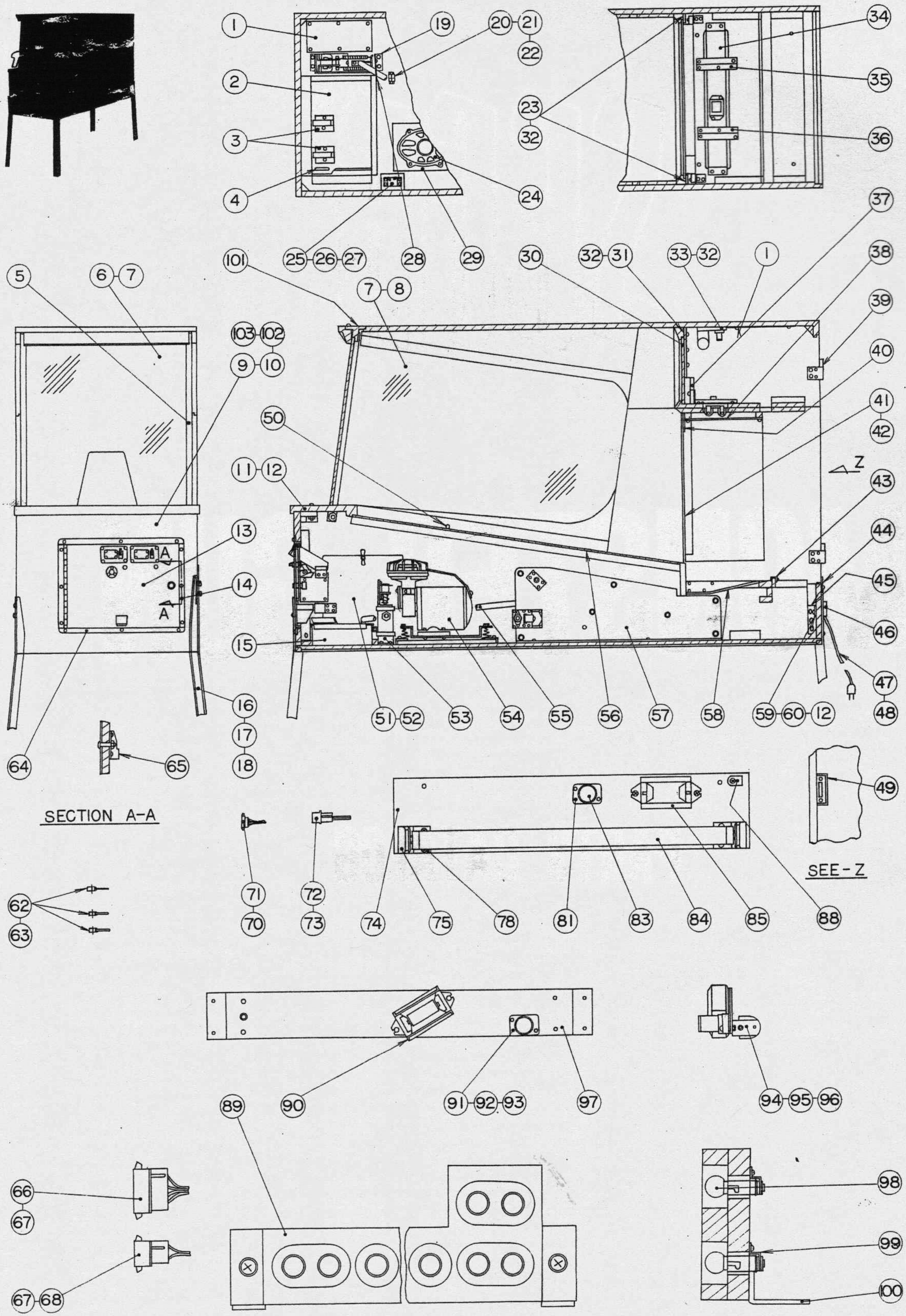
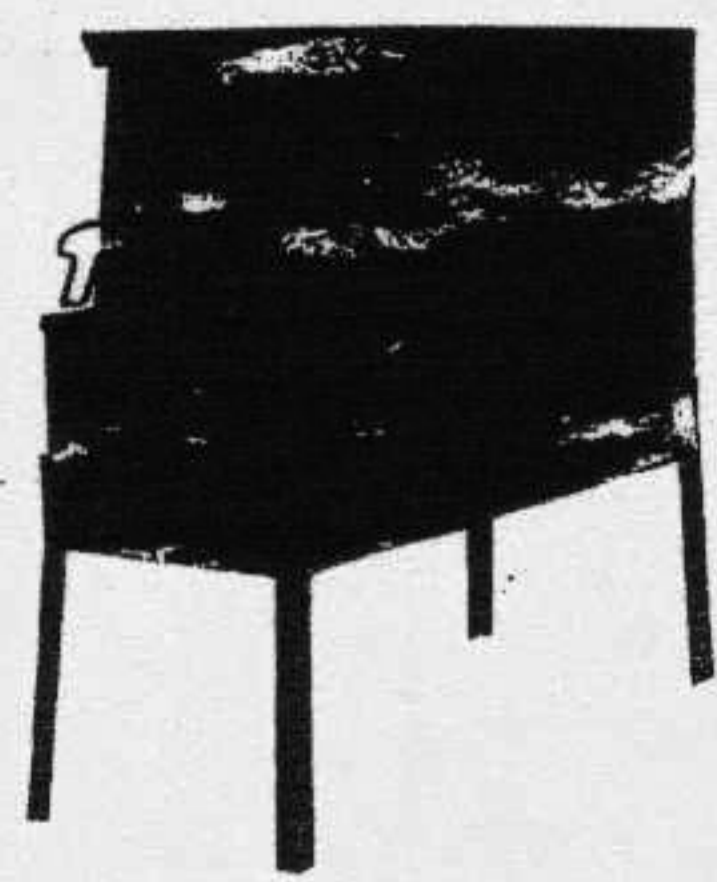
PARTS CATALOG

SEGA[®]

OFFERS YOU THE UNBEATABLE COMBINATION OF QUALITY AND PLAY APPEAL IN AMUSEMENT GAMES

MONSTER GUN

CABINET ACCESSORY ASS'Y (1)



SECTION A-A

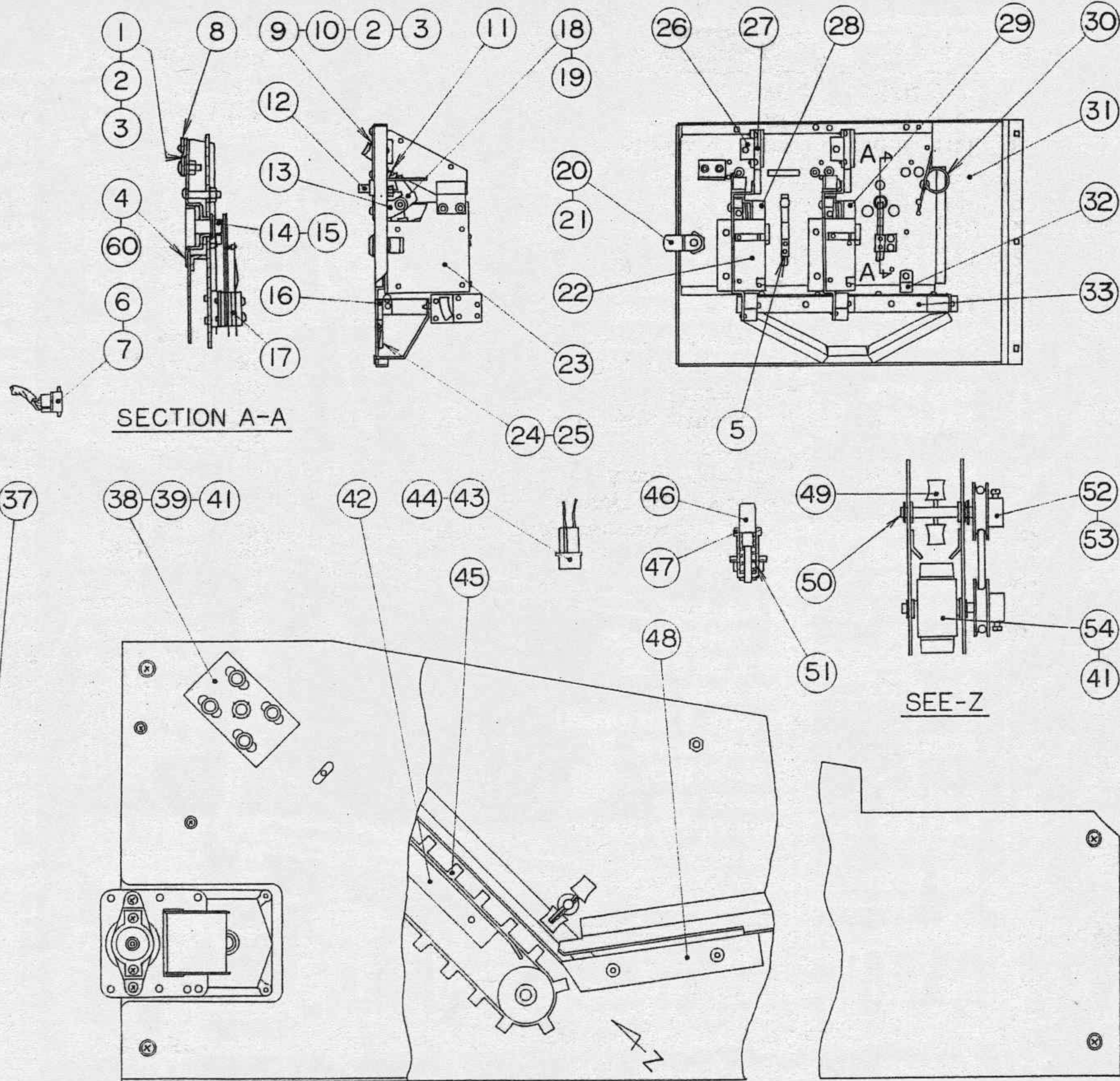
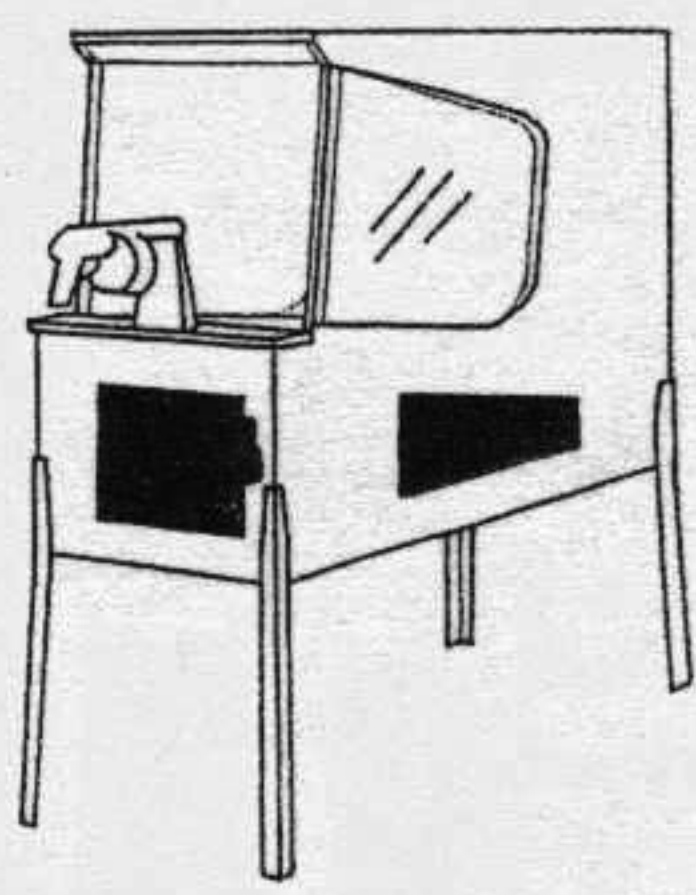
SEE - Z

- | | | | |
|-----------------|----------------|----------------------|---------------------|
| M. Machine | T. Truss | H. Head | Hex. Hexagon |
| R. Round | C. Cheese | Phill. Phillips | Ass'y Assembly |
| F. Flat | P. Pan | Ext. External | |

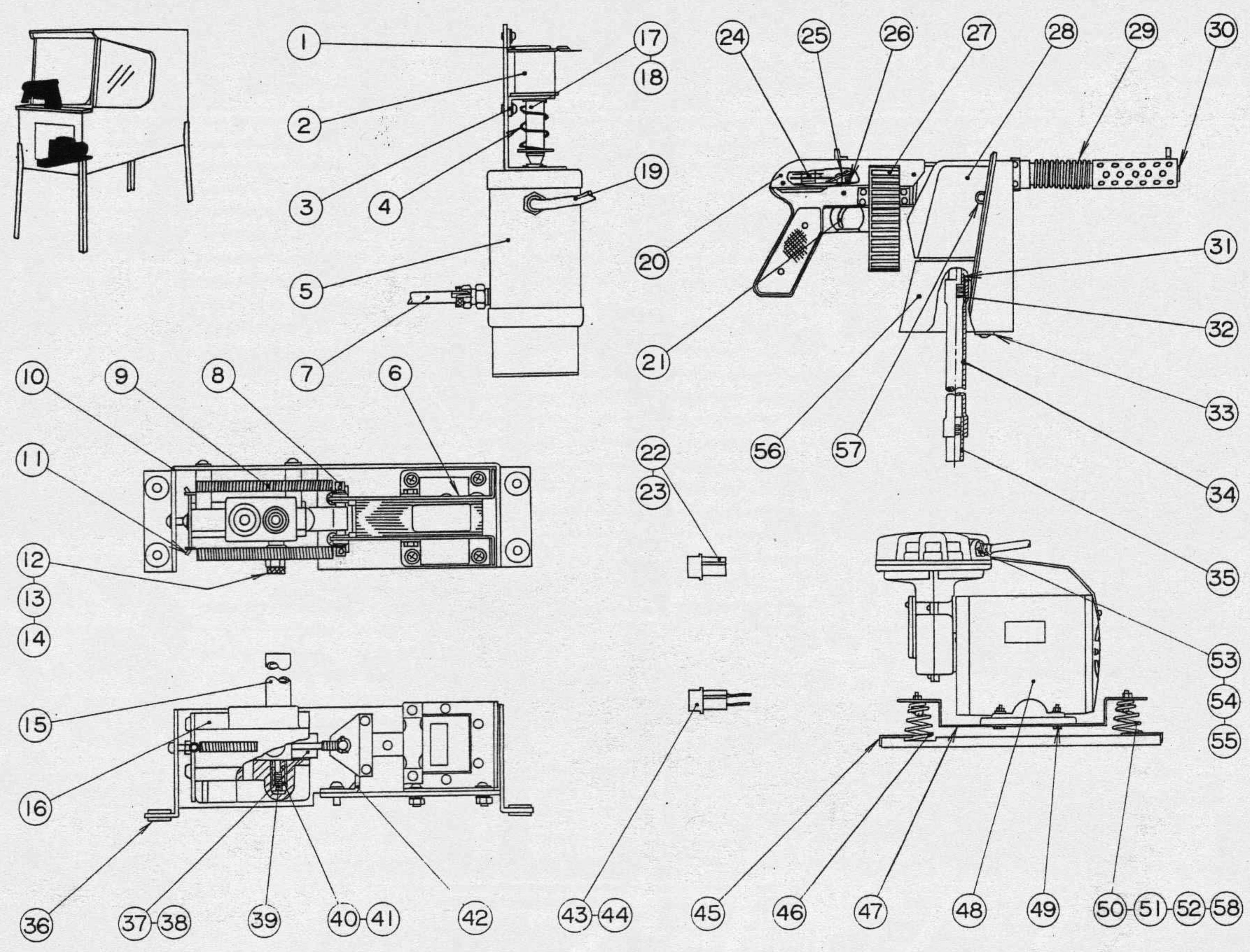
Item	Part No.	Description	Item	Part No.	Description
1	MG-1024	Guard Plate	52	DH-1039	Door Hook
2	DH-1057	Cash Box Cover	53	MG-1204	Air Tank & Coil Ass'y (See page 4 for detail)
3	DH-1058	Cash Box Chute	54	MG-1200	Compressor Unit (See page 4 for detail)
4	DH-1059	Locking Plate	55	MG-1025	Ball Guide Pipe
5	MG-1003	Window Sash	56	MG-1004	Playfield Board
6	MG-1006	Front Window	57	MG-1100	Conveyor Ass'y (See page 3 for detail)
7	MG-1030	Sash, 545	58	MG-1019	Ball Collector Sheet
8	MG-1002	Window Glass, Side	59	SB-1133	Cover Plate
9	MG-1001	Wooden Cabinet	60	ML-1101	Free Bush, 38
10	SGM-1814	Polyethylene Cover, 660 X 1300 X 1800	62	S-91978-1	Socket Element
11	MG-1005	Front Board	63	S-92021-1	Socket, 2P, Free Hanging Type, Natural Color
12	144-209	Flat Washer, Special 5.2-14.3 X 2	64	SH-1013	Front Door Bracket, A
13	MG-1026	Front Door Ass'y (See page 3 for detail)	65	SH-1015	Locking Tongue Bracket
14	SH-1014	Front Door Bracket, B	66	S-91983-2	Plug, 12P, Orange
15	DH-1056	Cash Box	67	S-91978-2	Pin Element
16	CA-0005	Leg	68	S-92184-2	Plug, 6P, Red
17	M-163-4 (L)	Leg Adjuster	70	S-91978-2	Pin Element
18	111-575	Hex. Bolt, Special M10 X 60 S=35	71	S-92183-2	Plug, 15P, Yellow
19	MG-1207	Valve Ass'y (See page 4 for detail)	72	S-92021-2	Plug, 2P, Free Hanging Type, Natural Color
20	91593	Terminal Cover, 2P (for S-91592)	73	S-91978-2	Pin Element
21	S-91361	Terminal Lug	74	GP-1067	Socket Base Plate
22	S-91592	Terminal, 2P, Barrier Type, w/Screws	75	S-90260	Socket, Fluorescent Light, Spring Type
23	MG-1010	Holder, Score Plate, Side	78	90687	Fluorescent Lamp Socket Bracket
24	S-92877	Speaker, 187 X 130 mm 4Ω, 3W	81	S-90264	Socket, Fluorescent, Starter, Bayonet Type
25	RM-1031	Main Switch Bracket	83	S-90244	Starter, Fluorescent, Bayonet Type, FG-1P
26	S-90834	Switch, Push Button Type	84	S-90201	Fluorescent Light, 15W
27	S-91649	Switch Stopper, 12φ	85	91586	Ballast Coil, 100V, 15W, Strip Type, 50Hz
28	MG-1032	Pipe Holder	88	S-90591	Clamp, Cord, Plastic, 5 mm I.D.
29	MG-1033	Speaker Guard Plate	89	MG-1012	Lamp Box
30	MG-1008	Score Plate	90	91586	Ballast Coil, 100V, 15W, Strip Type, 50Hz
31	MG-1009	Holder, Score Plate, Upper	91	JB-2061	Paper Insulator
32	144-023	Flat Washer, Special 3.6-9.5 X 0.6	92	S-90264	Socket, Fluorescent, Starter, Bayonet Type
33	GP-1054	Fluorescent Light & Ballast Coil Unit (See detail)	93	S-90244	Starter, Fluorescent, Bayonet Type, FG-1P
34	MG-1014	Fluorescent Light, 15W Ass'y (See detail)	94	91889	Light Bracket
35	MG-1017	Score Holding Bracket, Right	95	S-90977	Socket, Fluorescent Light
36	MG-1016	Score Holding Bracket, Left	96	S-91058	Fluorescent Light, Black Light, 15W
37	MG-1011	Lamp Box Ass'y (See detail)	97	MG-1015	Fluorescent Light Bracket
38	MG-1018	Light Cover Plate	98	S-90158	Bulb, 6-8V, #55
39	DM-1067	Flag Hinge, Male	99	90725X	Lamp Socket
40	MG-1029	Upper Screen	100	MG-1013	Holder Bracket
41	MG-1027	Side Screen, Right	101	MG-1007	Top Board
42	MG-1028	Side Screen, Left	102	S-90184	Clamp, Cord, Plastic, 19 mm I.D.
43	MG-1020	Protector	103	S-90410	Clamp, Cord, Plastic, 10 mm I.D.
44	MG-1021	Door Protector			
45	MG-1031	Nut Plate			
46	80027X	Name Plate, Electrical Specification (for Export)			
	81554	Name Plate, Electrical Specification (for Domestic)			
47	90998X	Cable and Plug Ass'y			
48	S-90181	Clamp, Cord, Plastic, 8 mm I.D.			
49	MG-1022	Stopper			
50	MG-0001	Nylon Ball, 12.7φ			
51	MG-1023	Service Door			

MONSTER GUN

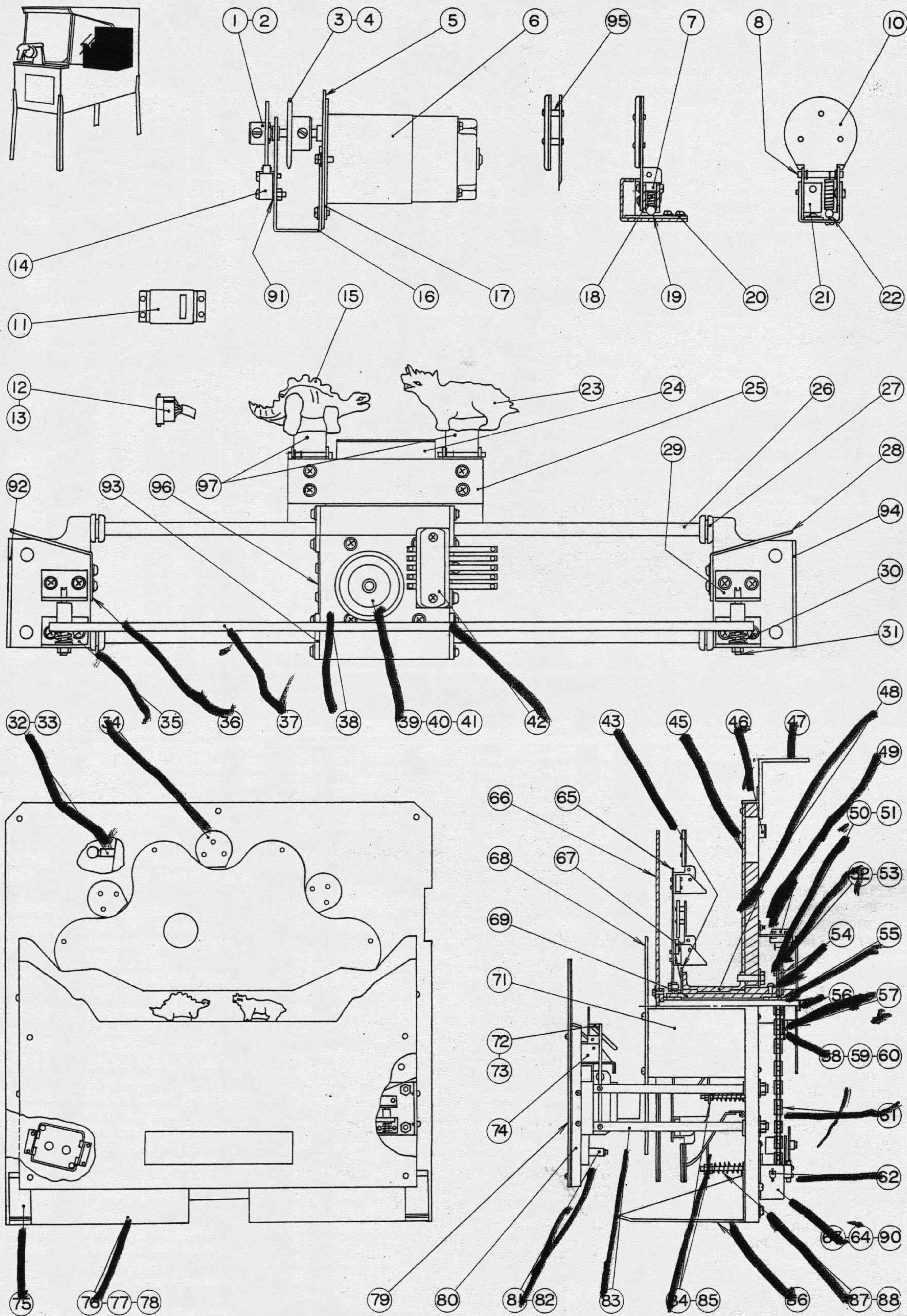
CABINET ACCESSORY ASS'Y (3) AND CONVEYOR ASS'Y



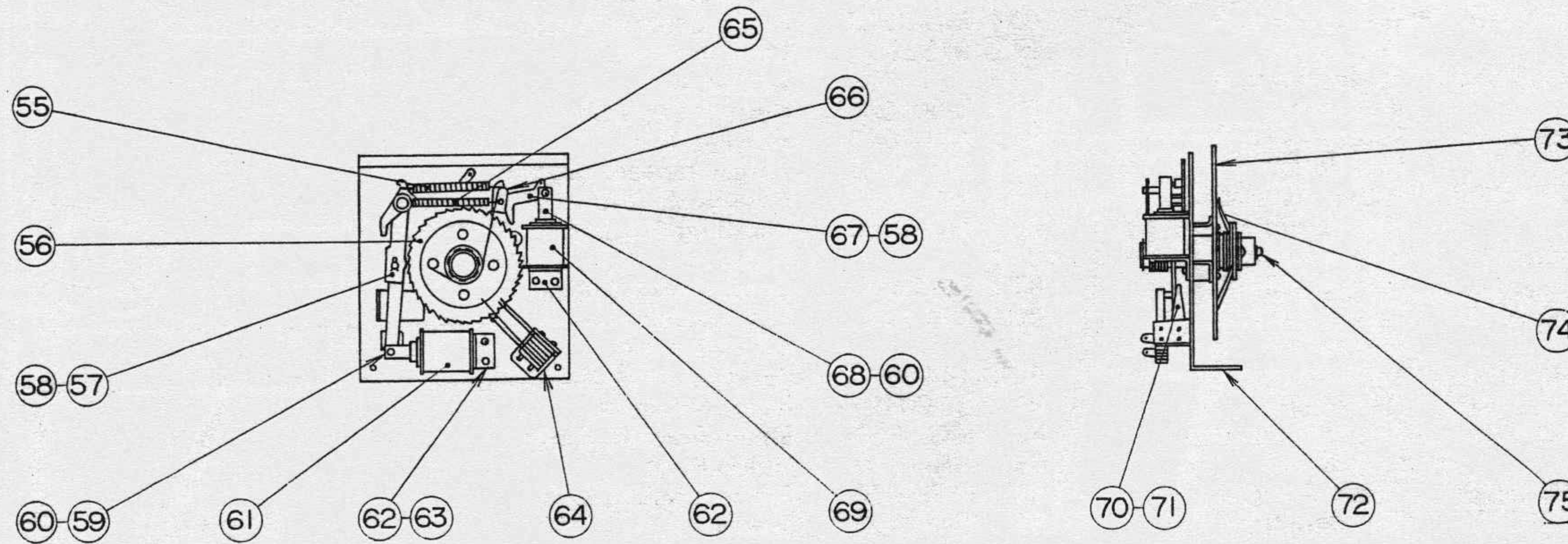
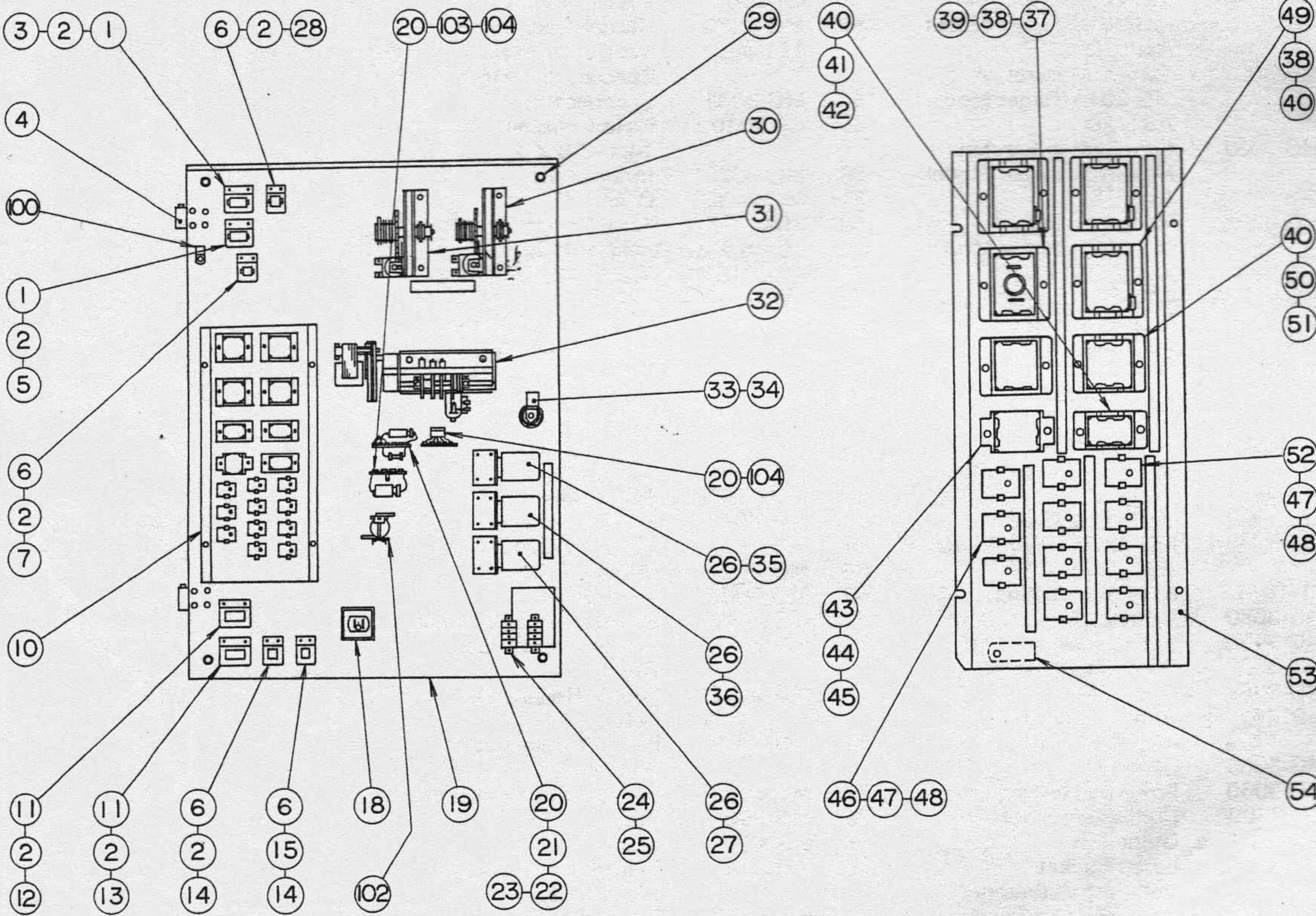
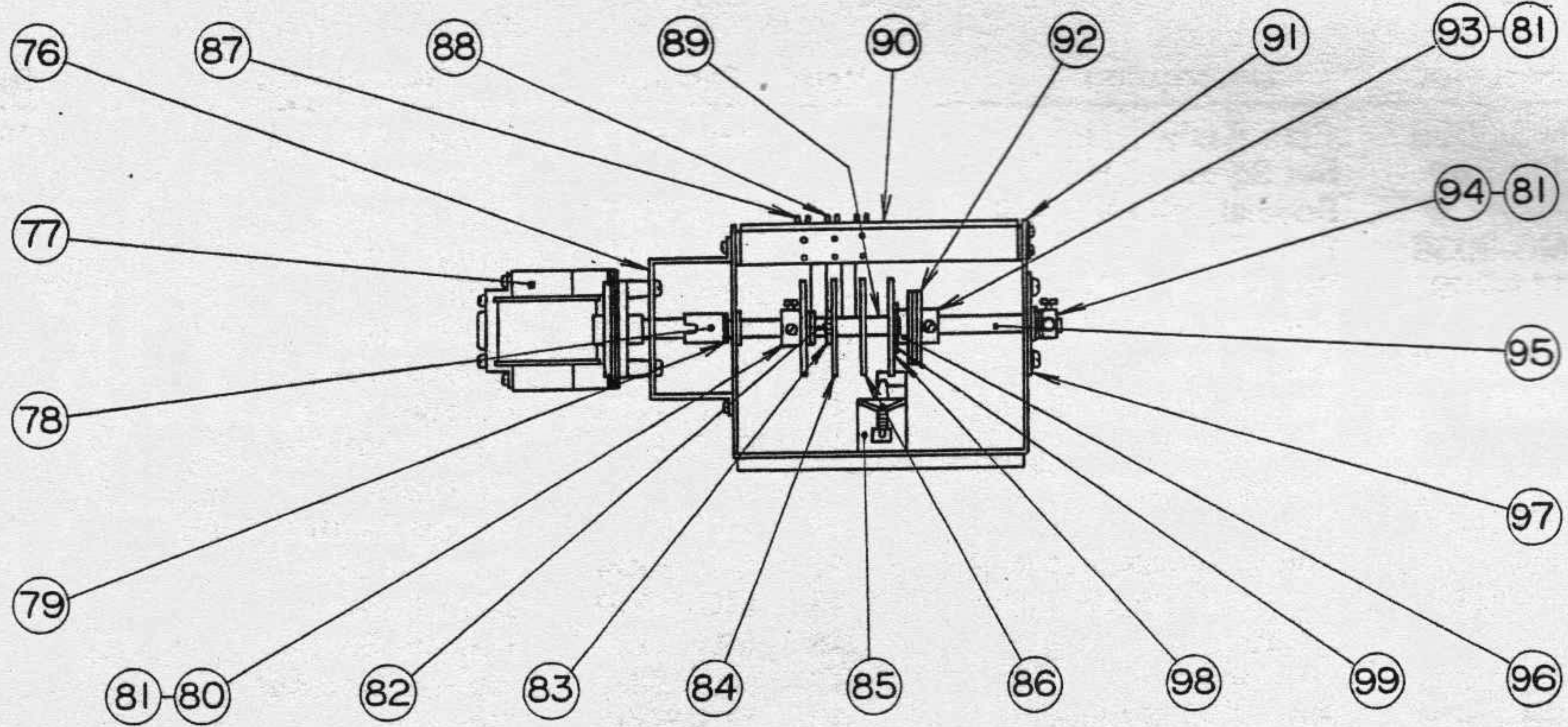
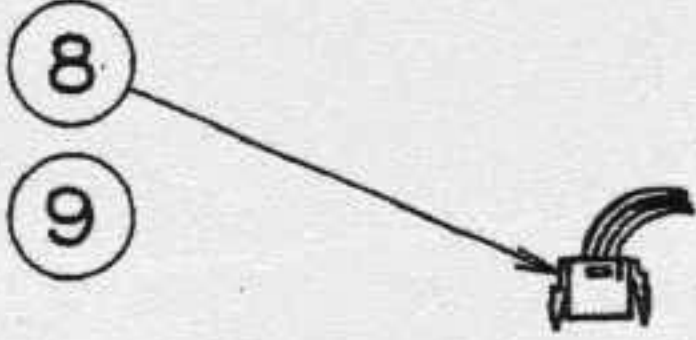
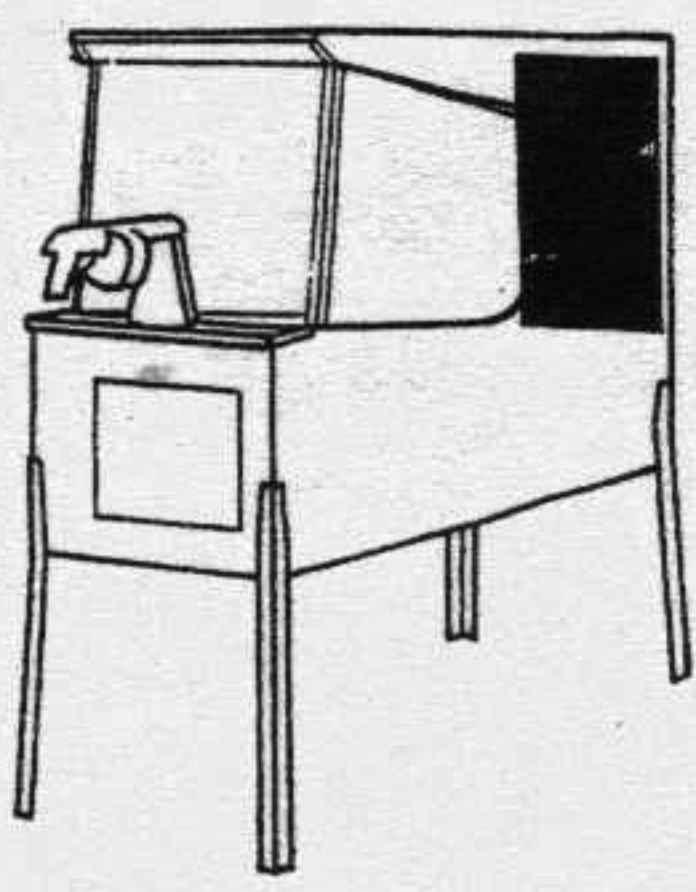
Item	Part No.	Description	Item	Part No.	Description	Item	Part No.	Description
1	GF-1074	Coin Entry Plate, U.S.A. 25¢	24	DH-1051	Flap Door	53	111-655	Set Screw, P.H., Special, ISO M3 X 8
2	GF-1073	Coin Entry Base	25	DH-1052	Door Shaft	54	MG-1108	Roller Ass'y, B
3	111-615	Carriage Bolt, Unichrome, Special, ISO M4 X 10	26	DH-1045	Coin Entry Bracket, A	55	MG-1104	Ball Guide Plate, Left
4	SK-1048	Button Housing	27	DH-1046	Coin Entry Bracket, B	56	MG-1105	Ball Guide Plate, Right
5	92247	Kick Off Switch Ass'y, 1B.	28	CC-2038	Coin Chute, Rejector Type, New ¥50 X 1	57	GP-3026	Drive Belt
6	S-91978-2	Pin Element	29	CC-2001	Coin Chute, Rejector Type, ¥10 X 1	58	MG-1114	Pulley
7	S-92855-2	Plug, 6P, Orange	30	30060	Key Holder	59	111-443	Set Screw, C.H., Special M4 X 8
8	81157	Denomination Plate, ¥30, 1 Play	31	FL-1003	Front Door	60	111-694	Carriage Bolt, Unichrome, Special, ISO M4 X 20
9	81158	Denomination Plate, ¥50, 2 Plays	32	S-90181	Clamp, Cord, Plastic, 8 mm I.D.			
10	GF-1089	Coin Entry Plate, U.S.A. 5¢	33	DH-1050	Reject Chute Cover			
11	OL-3018	Extension Spring	34	MG-1101	Frame Ass'y, Right			
12	MP-1017	Reject Button Ass'y (See detail)	35	MG-1113	Post			
13	DH-1043	Reject Lever Bracket	36	MG-1102	Frame Ass'y, Left			
14	FL-1029	Push Button	37	92815	Motor, 100V, 50-60Hz, 30-36 rpm			
15	144-007	Flat Washer, Special 8.3-14.3 X 1.2	38	MG-1103	Bearing Adjuster			
16	DH-1049	Flap Door Bracket	39	MG-1107	Roller Ass'y, A			
17	SK-1050	Switch Ass'y, 1M.	41	144-179	Flat Washer, Special 6.1 X 11 X 0.6			
18	DH-1044	Reject Lever	42	MG-1111	Protector			
19	SH-1007	Shaft	43	S-92021-2	Plug, 2P, Free Hanging Type, Natural Color			
20	SH-1012	Locking Tongue	44	S-91978-2	Pin Element			
21	LS-1064	Ace Cylinder Lock, L.S. Type	45	MG-1106	Belt			
22	CC-2050	Coin Chute Bracket Ass'y	46	MP-1018	Push Button			
23	DH-1042X	Coin Chute Bracket	47	SB-1125	Button Housing			
			48	MG-1112	Ball Guide Ass'y			
			49	MG-1110	Tip			
			50	MG-1109	Shaft, C			
			51	LS-3012	Compression Spring, Rejection Button			
			52	GP-3016	Pulley, Upper			



Item	Part No.	Description	Item	Part No.	Description	Item	Part No.	Description
1	91255	Plunger Stopper Ass'y	30	MG-2006	Muzzle	56	MG-2014	Gun Stand, Lower
2	218C022	Coil, Reset	31	MG-2016	Pipe	57	MG-2013	Shaft
3	DD-3112	Coil Stopper	32	MG-2007	Ball Guide Coil	58	144-024	Flat Washer, Special 5.6-19.1 X 1.2
4	91183	Compression Spring	33	MG-2015	Center Pole			
5	MG-1205	Air Tank Ass'y	34	MG-2009	Tube			
6	S-91967	Solenoid, AC100V, 50-60Hz, 2kg	35	MG-2008	Pipe			
7	MG-1220	Nylon Tubing, 600	36	90727	Rubber Grommet			
8	MG-1214	Plunger Pin	37	MG-1212	Air Valve			
9	PB-7006	Latch Lever Spring	38	MG-1213	Link			
10	MG-1208	Air Valve Bracket	39	JG-3222	Plunger Return Spring			
11	MG-1217	Spring Bracket	40	MG-1210	Bushing			
12	S-81523-1	Body, 1/8, Male Connector	41	MG-1211	Rubber Ring			
13	S-81523-2	Nut, 1/4, Male Connector	42	MG-1215	Plunger Stopper			
14	S-91523-3	Brass Sleeve, 1/4, Male Connector	43	S-92021-2	Plug, 2P, Free Hanging Type, Natural Color			
15	MG-1218	Pipe	44	S-91978-2	Pin Element			
16	MG-1209	Air Valve Case	45	MG-1203	Spring Holder			
17	MG-1206	Air Control Plunger	46	MG-1201	Bottom Base			
18	JG-5127	Washer	47	MG-1202	Compressor Bracket			
19	MG-1216	Nylon Tubing, 900	48	S-81524	Diaphragm Compressor, 100V, 50-60Hz, 200W With Spare Diaphragm			
20	MG-2010	Sighting	49	144-241	Flat Washer, Special 6.5-19 X 3.2			
21	MG-2002	Trigger	50	AF-2410	Mounting Spring			
22	S-92021-2	Plug, 2P, Free Hanging Type, Natural Color	51	S-80045	Rubber Foot, 18ø x 10			
23	S-91978-2	Pin Element	52	144-122	Flat Washer 4.4-16 X 1.6			
24	92780	Switch Ass'y, 1M.	53	S-81522-1	Body, 1/4, Male Connector			
25	MG-2003	Pusher Plate	54	S-81522-2	Nut, 1/4, Male Connector			
26	MG-2004	Compression Spring	55	S-81522-3	Brass Sleeve, 1/4, Male Connector			
27	MG-2011	Magazine						
28	MG-2012	Gun Stand, Upper						
29	MG-2001	Gun, w/o Muzzle						



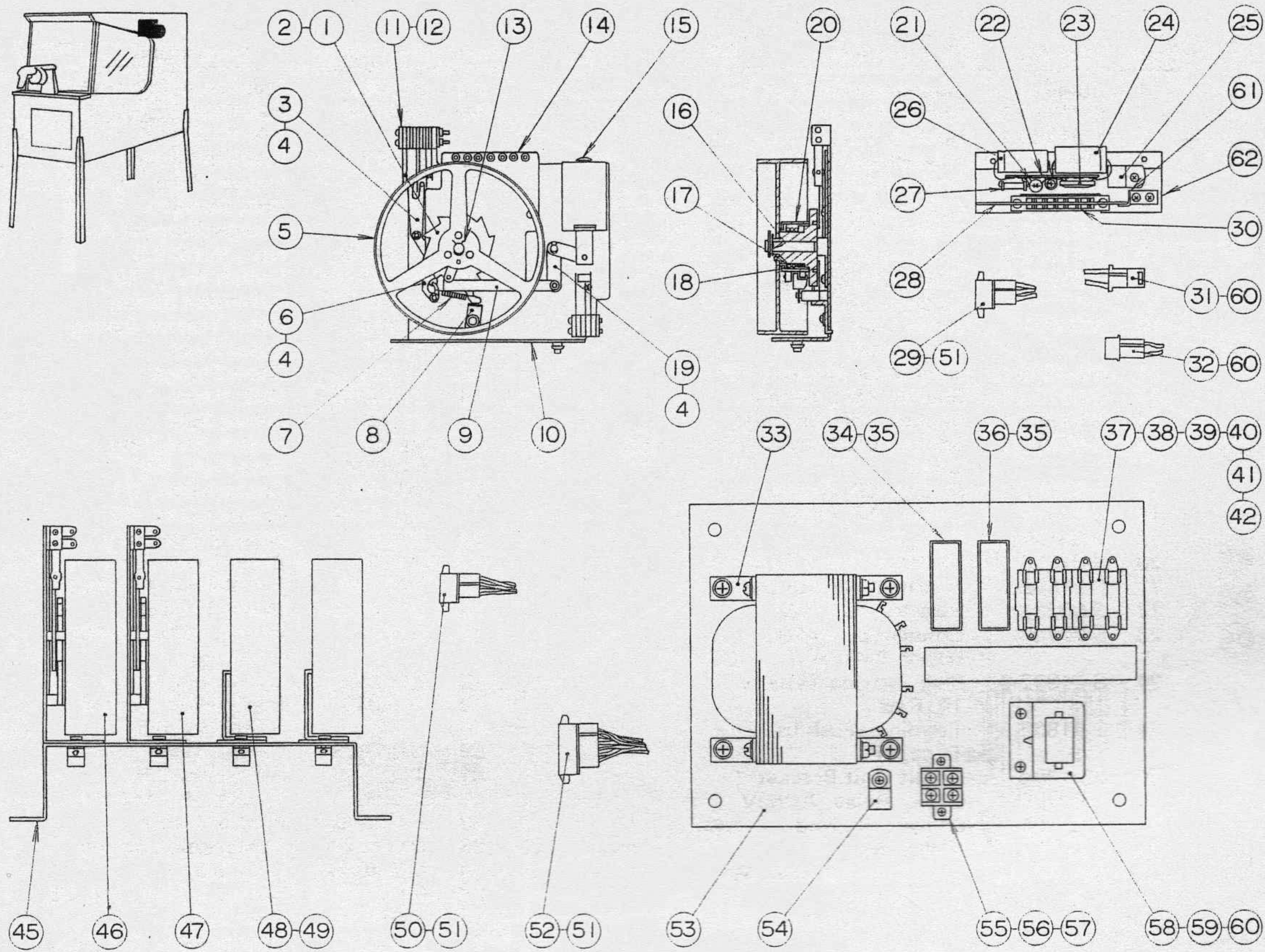
Item	Part No.	Description	Item	Part No.	Description	Item	Part No.	Description
1	MG-3039	Cam Ass'y		MG-3077	Target Ass'y, K (See detail)	96	MG-3081	Guard Plate
2	111-669	Set Screw, C.H., Special, ISO M4 X 6	35	MG-3061	Rail Holder	97	MG-3066	Target Bracket Ass'y
3	MG-3038	Sprocket	36	MG-3069	Cover, Right			
4	111-709	Set Screw, C.H., Special, ISO M4 X 10	37	MG-3062	Rail			
5	MG-3036	Motor Plate	38	MG-3058	Slider Base			
6	92821	Motor, 50V, 50-60Hz, 21-26 rpm	39	NR-1067	Drive Pulley			
7	MG-3026	Spring Stopper	40	NR-1068	Rubber Ring, I.D. 30			
8	MG-3027	Pin	41	92326	Motor, DC12V, 100 rpm			
10	MG-3016	Target Model Ass'y, A	42	92775	Bridge Switch Ass'y			
11	S-91587	2-3 Coin Credit Unit, AC50V	43	MG-3004	Contact Disc			
12	S-91978-2	Pin Element	45	MG-3049	Back Screen			
13	S-91985-2	Plug, 15P, Brown MG-3017 Target Model Ass'y, B	46	MG-3075	Handle Bracket			
14	S-91834	Switch, Micro Type MG-3018 Target Model Ass'y, C	47	MG-0002	Holder Bracket			
15	MG-3067	Target, Monster, A MG-3019 Target Model Ass'y, D	48	MG-3002	Housing			
16	MG-3037	Cam Switch Bracket MG-3020 Target Model Ass'y, E	49	MG-3073	Brake Coil Ass'y			
17	MG-3035	Motor, H. Plate MG-3021 Target Model Ass'y, F	50	MG-3005	Sprocket			
18	MG-3025	Compression Spring MG-3022 Target Model Ass'y, G	51	JR-2007	Thrust Washer			
19	S-80774	Steel Ball, 7.1438 ϕ MG-3023 Target Model Ass'y, H	52	MG-3030	Clutch Disc			
20	MG-3028	Printed Plate MG-3078 Target Model Ass'y, J	53	111-830	Set Screw, P.H., Special, ISO M4 X 16			
21	MG-3024	Switching Tube MG-3079 Target Model Ass'y, K	54	MG-3031	Stopper Pin			
22	7T-10111	Extension Spring	55	GP-2010	Nylon Washer, 14.1-28 X 2			
23	MG-3080	Target, Monster, B	56	MG-3029	Inner Shaft			
24	MG-3070	Cover, Middle	57	MG-3032	Disc			
25	MG-3063	Front Target Base	58	SD-4060-B	Plate Spring			
26	MG-3059	Guide Bar	59	SD-4060-C	Washer Plate			
27	S-91457	Rubber Grommet, 6 ϕ X 12 ϕ X 18	60	S-80216	Steel Ball, 10.3188 ϕ			
28	MG-3068	Cover, Left	61	MG-3040	Chain			
29	MG-3060	Rail Sub Holder	62	S-91686	Closed End Connector, Solderless Type, Capacity: 0.25-2.63sq.			
30	DD-2309	Compression Spring	63	MG-3033	Drive Motor Ass'y (See detail)			
31	NR-1051	Guide Pin	64	S-90807	Terminal Lug, O-Type, 4.3 X 17			
32	90793	Lamp Socket	65	MG-3007	Target Disc			
33	S-90821	Bulb, 6-8V, Bayonet Type, GE#455	66	MG-3041	Rotary Screen			
34	MG-3008	Target Ass'y, A (See detail)	67	92774	Wiper Switch Ass'y			
	MG-3009	Target Ass'y, B (See detail)	68	MG-3052	Middle Screen			
	MG-3010	Target Ass'y, C (See detail)	69	MG-3003	Main Shaft			
	MG-3011	Target Ass'y, D (See detail)	71	MG-3046	Screen Holder Bracket			
	MG-3012	Target Ass'y, E (See detail)	72	MG-3071	Target Release Bar, Right			
	MG-3013	Target Ass'y, F (See detail)	73	MG-3072	Target Release Bar, Left			
	MG-3014	Target Ass'y, G (See detail)	74	MG-3055	Front Target Ass'y (See detail)			
	MG-3015	Target Ass'y, H (See detail)	75	MG-3044	Standing Bracket, Left			
	MG-3076	Target Ass'y, J (See detail)	76	MG-3001	Base			
			77	S-80030	Staple			
			78	S-90182	Clamp, Cord, Plastic, 12.7 mm I.D.			
			79	MG-3053	Front Screen			
			80	MG-3048	Front Bracket Ass'y			
			81	91227	Lamp Socket, w/Clamp			
			82	S-90158	Bulb, 6-8V, #55			
			83	MG-3047	Holding Bar			
			84	MG-3042	Target Release Bracket			
			85	MG-3043	Free Bush, 240			
			86	MG-3045	Standing Bracket, Right			
			87	PS-7008	Compression Spring			
			88	144-122	Flat Washer 4.4-16 X 1.6			
			90	144-076	Spring Washer M4 (#2)			
			91	PS-2049Y	Paper Insulator			
			92	MG-3057	Slider Bracket, Right			
			93	NR-1090	Guide Plate			
			94	MG-3056	Slider Bracket, Left			
			95	RM-2133	Spacer			



Item	Part No.	Description	Item	Part No.	Description
1	SC-4014	Connector Bracket, 12P	57	91505X	Step-Up Arm Ass'y
2	S-91978-1	Socket Element	58	155-036	Hair Clip, Standard 4 X 12 X 0.65
3	S-91983-1	Socket, 12P, Orange	59	91257	Step-Up Plunger
4	DM-1068	Flag Hinge, Female	60	90781	Plunger Ring
5	S-91982-1	Socket, 12P, Red	61	219C07	Coil, Step-Up
6	CA-4006	Connector Bracket, 6P	62	91255	Plunger Stopper Ass'y
7	S-92101-1	Socket, 6P, Brown	63	133-028	Hex. Nut M3.5
8	S-91978-2	Pin Element	64	91830	Switch Ass'y, 1B
9	S-91980-2	Plug, 12P, Natural Color	65	91253	Extension Spring
10	MG-4010	Relay Unit Ass'y (See detail)	66	91254	Reset Torsion Spring
11	SC-4015	Connector Bracket, 15P	67	91251	Index Pawl
12	S-92183-1	Socket, 15P, Yellow	68	91256	Reset Plunger
13	S-91985-1	Socket, 15P, Brown	69	218C015	Coil, Reset
14	S-92011-1	Socket, 6P, Natural Color	70	91258	Spring Stop
15	S-92855-1	Socket, 6P, Orange	71	91715	Switch End Plate
18	S-91449	Outlet, AC Type	72	91249X	Base Plate Ass'y
19	MG-4001	Back Door	73	MG-4013	Contact Disc, #1
20	S-91016	Terminal Plate, 1L6P		MG-4014	Contact Disc, #2
21	S-91653	Rectifier, Silicon Diode	74	92837	Wiper Blade Ass'y
22	S-90285	Resistor, 5 Ω , 1W		92835	Wiper Blade Ass'y
23	S-90440	Condenser, 200 μ F, 50WV Tubular	75	144-122	Flat Washer 4.4-16x1.6
24	S-91832-2	Plug, Banana Type, 1P, Red	76	DD-2315	Motor Bracket
25	S-91832-3	Terminal, Push In Type, 4P	77	92893	Motor, 100V, 50-60Hz, 30-36 rpm
26	JB-1084	Credit Unit Bracket	78	DD-2303	Connecting Sleeve
27	S-92298	2 Play Relay, AC50V	79	144-010	Flat Washer, Special 8.3-14.3 X 0.5
28	S-92184-1	Socket, 6P, Red	80	DD-2308	Cam, 8 Teeth
29	133-054	T-Nut M6	81	111-643	Set Screw, C.H., Special, ISO M4 X 8
30	MG-4004	Shot Step-Up Unit, #2 (See detail)	82	AT-6040	Plunger Sleeve
31	MG-4012	Shot Step-Up Unit, #1 (See detail)	83	ML-3012	Compression Spring
32	MG-4002	Control Cam Ass'y (See detail)	84	MG-4009	Cam, #3
33	LS-1064	Ace Cylinder Lock, L.S. Type	85	92814	Relay, AC50V, 3M. 1B.
34	SD-1044	Locking Tongue	86	MG-4008	Cam, #2
35	S-91587	2-3 Coin Credit Unit, AC50V	87	DD-2312	Switch Ass'y, 2M. 1C.
36	S-91975	Replay Release Relay, AC50V	88	DD-2313	Switch Ass'y, 1M. 1C.
37	S-92308-2	Timer, 100 Sec. Relay, AC100V	89	MC-4016	Cam Spacer
38	S-92279-2	Socket	90	92838	Switch Bracket
39	S-92308-1	Clamp, for CDV Timer	91	MG-4003	Main Frame
40	S-92251-4	Clamp, for Relay	92	SK-4122	Leather Washer, 14.5-38 X 1.5
41	S-92402-1	Relay, AC48V, Plug-In Type, w/Button	93	MC-4006	Clutch Disc
42	S-92402-4	Socket, Square Hold Type, 2T.	94	FL-4256	Collar
43	S-92742-1	Relay, AC48V, Plug-In Type	95	MG-4005	Shaft
44	S-92742-2	Socket, for Relay	96	MC-4007	Slip Disc
45	S-92742-3	Clamp, for HG Relay	97	DD-2321	Bearing Adjuster
46	S-91357-5	Relay, AC48V, Plug-In Type, w/Button	98	MG-4007	Cam, #1
47	S-91357-2	Socket, w/Fasteners	99	MG-4006	Cam Retainer
48	S-91357-3	Clamp, for Relay	100	S-90410	Clamp, Cord, Plastic, 10 mm I.D.
49	S-92279-3	Relay, AC48V, Plug-In Type, w/Button	102	S-91648	Relay, AC50V, 1T.
50	S-92251-5	Relay, DC48V, 3T., Plug-In Type	103	S-92904	Condenser, 100 μ F, 100WV
51	S-92251-3	Socket	104	S-91906	Rectifier, Silicon Diode
52	S-91465-1	Relay, DC48V, Plug-In Type, w/Button			
53	MG-4011	Relay Chassis			
54	S-90184	Clamp, Cord, Plastic, 19mm I.D.			
55	91252	Extension Spring			
56	91259	Step-Up Gear, 50 Teeth			

MONSTER GUN

TRANSFORMER ASS'Y, SOUND UNIT AND SCORE UNIT



Item	Part No.	Description	Item	Part No.	Description	Item	Part No.	Description
1	92134	Score Step-Up Cam Wheel	25	S-90181	Clamp, Cord, Plastic, 8 mm I.D.	48	MG-5001	Imitation Score Bracket
2	91617	Wiper Blade Ass'y	26	S-92788	Condenser, 470 μ F, 16WV, Tubular, CE02 Type	49	92520	Score Reel, 0
3	92138	Transfer Arm	27	S-91139	Resistor, 500 Ω , 1/2W	50	S-92101-2	Plug, 6P, Brown
4	155-037	Hair Clip, Standard 2 X 8 X 0.65	28	MG-4601	Oscillator & Pre Amplifier Unit	51	S-91978-2	Pin Element
5	92519	Score Reel	29	S-92011-2	Plug, 6P, Natural Color	52	S-91982-2	Plug, 12P, Red
6	92140	Stop Arm	30	S-91795	Connector, 10P, for Printed Circuit	53	MG-4101	Transformer Base
7	AT-4045	Extension Spring, Coin H.	31	S-92021-2	Plug, 2P, Free Hanging Type, Natural Color	54	S-90181	Clamp, Cord, Plastic, 8 mm I.D.
8	92143	Stopper Bracket	32	S-92021-1	Socket, 2P, Free Hanging Type, Natural Color	55	91593	Terminal Cover, 2P
9	92518	Stop-Up Arm	33	92816	Power Transformer, 90-120V, 6, 14, 17, 50, 55V	56	S-91592	Terminal, 2P, Barrier Type, w/Screws
10	92517	Score Step-Up Bracket Ass'y	34	S-91454	Fuse, 20A 6.4 ϕ x30mm	57	S-91361	Terminal Lug
11	92812	Switch Ass'y, 1M. 1B.	35	S-91164	Fuse Holder, w/Cover, 250V-10A	58	SC-4014	Connector Bracket, 12P
12	92813	Switch Ass'y, 2M. 1B.	36	S-91941	Fuse, 4A 6.4 ϕ x30mm	59	S-91980-1	Socket, 12P, Natural Color
13	92152	Blade Separator, 0.5	37	90826	Fuse Holder Ass'y, 2P	60	S-91978-1	Socket Element
14	155-036	Hair Clip, Standard 4 X 12 X 0.65	38	90827	Fuse Holder Insulator, 2P	61	MG-4603	Holder
15	92133	Step-Up Disc Ass'y	39	92113	Spacer Sheet, 2P	62	MG-4602	Connector Bracket
16	S-92347	Solenoid, AC50V	40	S-90645	Fuse, 1A 6.4 ϕ x30mm			
17	144-018	Flat Washer, Special 6.4-9.5 X 0.35	41	S-90711	Fuse, 3A 6.4 ϕ x30mm			
18	92135	Compression Spring	42	S-90639	Fuse, 6A 6.4 ϕ x30mm			
19	92136	Step-Up Gear	45	MG-5002	Score Step-Up Base			
20	92137	Plunger Arm	46	92810	Step-Up Unit (See detail)			
21	S-91905	Score Step-Up Gear Cover	47	92811	Step-Up Unit (See detail)			
22	92139	Rectifier, Silicon Zener Diode						
23	S-91016	Terminal Plate, 1L6P						
24	S-91906	Rectifier, Silicon Diode						
	S-92787	Condenser, 330 μ F, 25WV, Tubular CE02 Type						